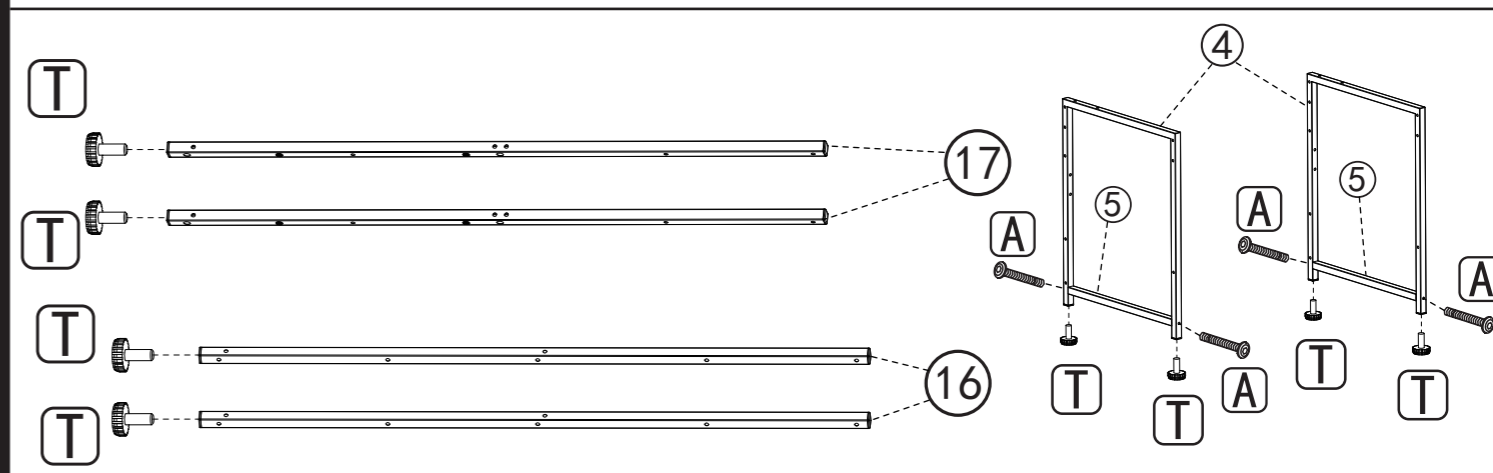
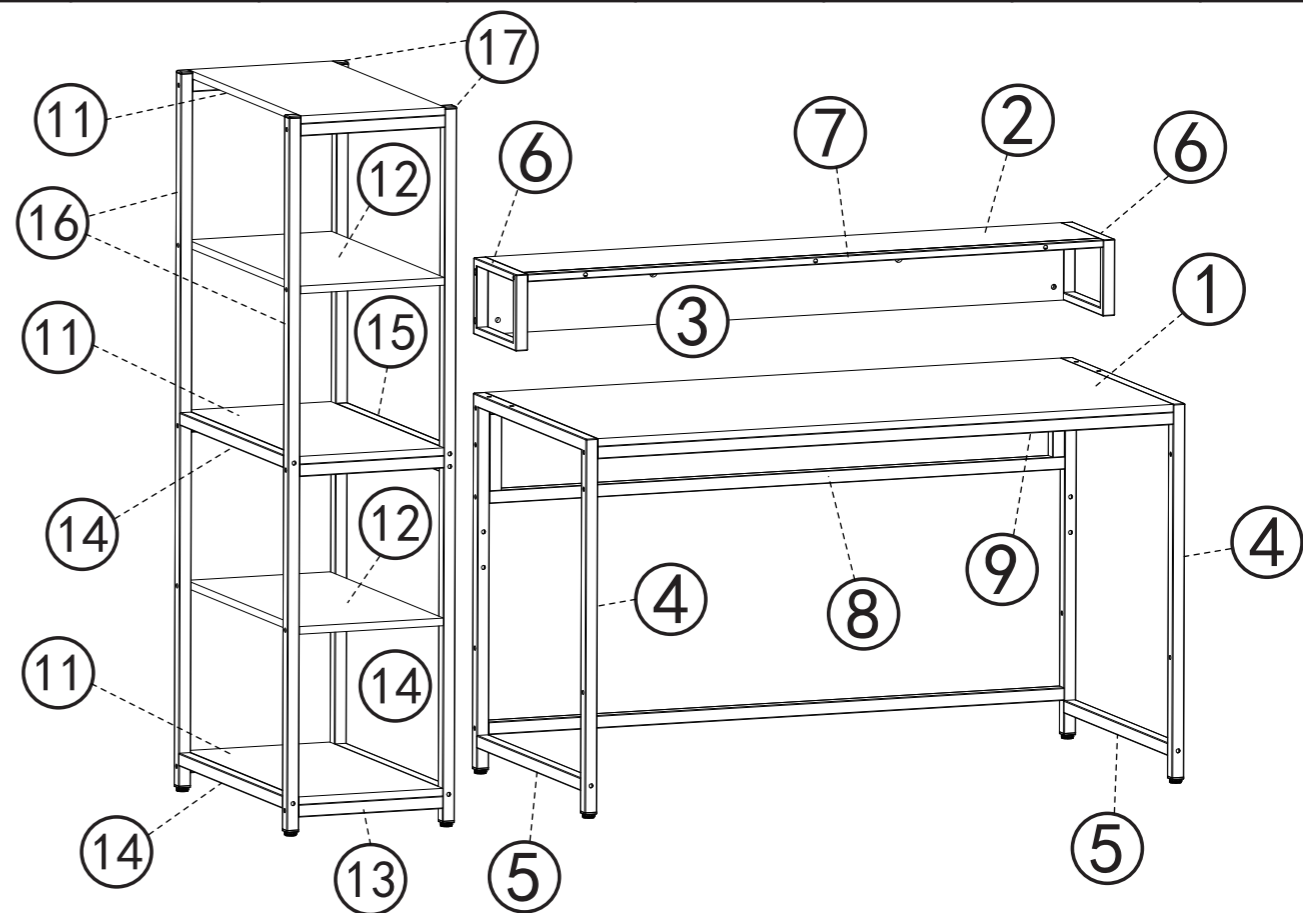
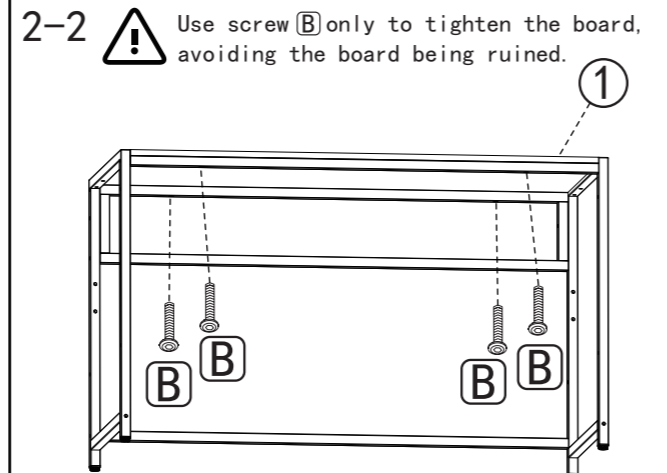
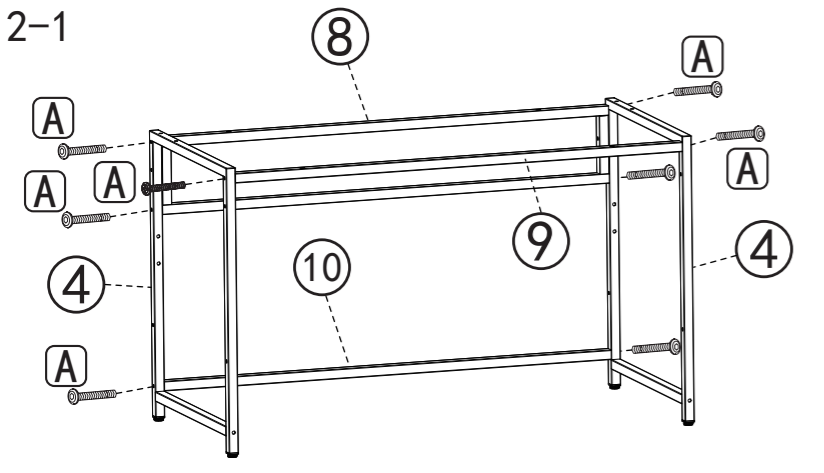
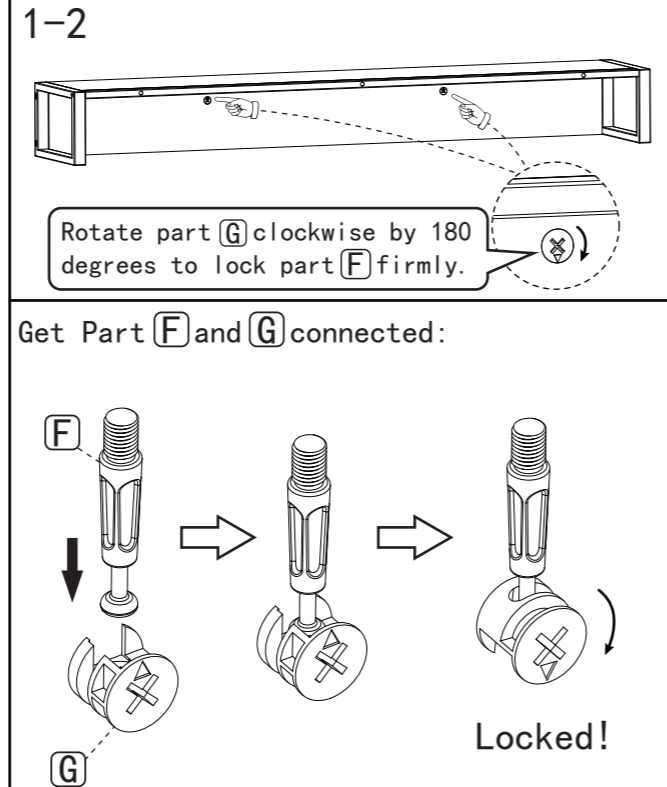
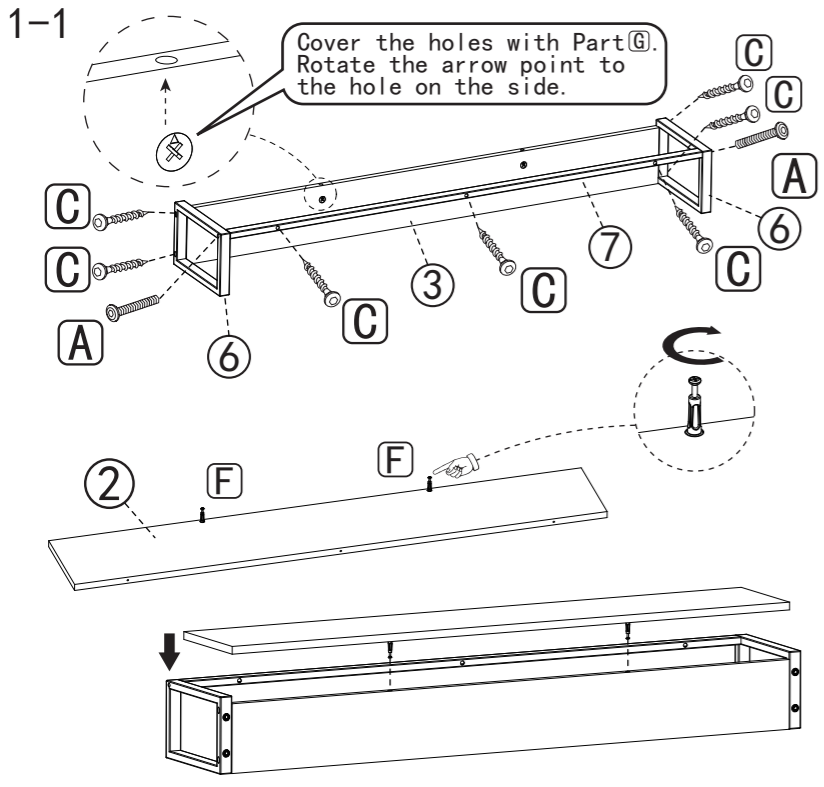


①x1 	②x1 	③x1 	④x2 	⑤x2 	⑥x2 	⑦x1 	
⑧x1 	⑨x1 	⑩x1 	⑪x3 	⑫x2 	⑬x6 	⑭x3 	
⑮x1 	⑯x2 	⑰x2 	⑱x2 	Ax39 	Bx14 	Cx19 	
Dx1 	Ex4 	Fx2 	Gx2 	Tx8 	Hx24 	Jx4 	
M6X65					M6X45	M6X35	M6X45

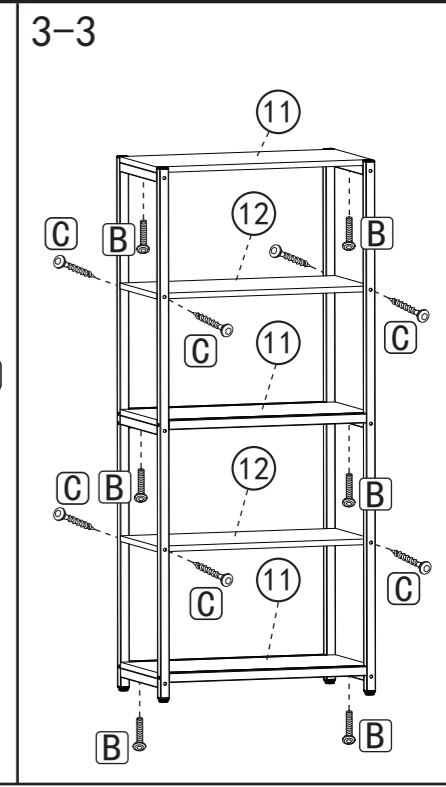
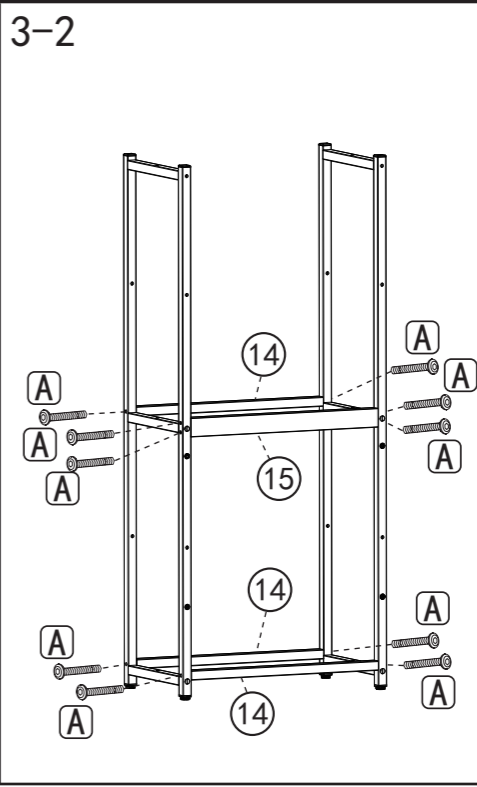
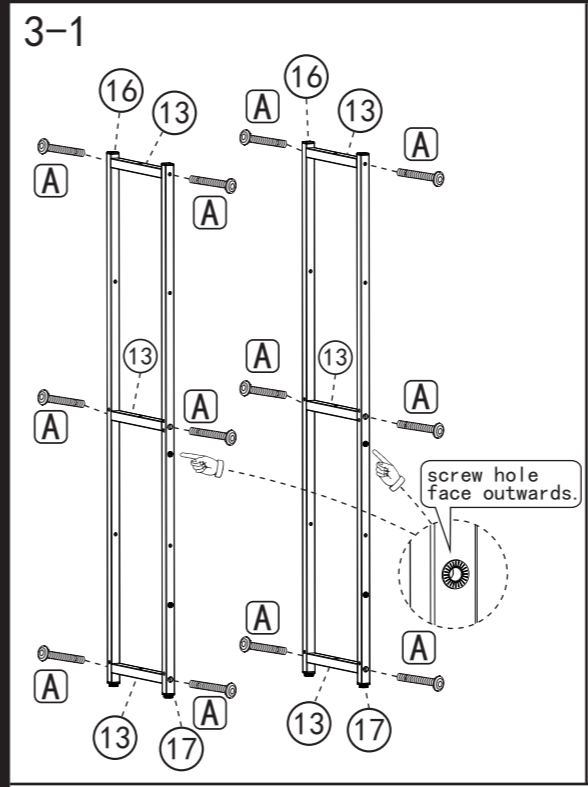
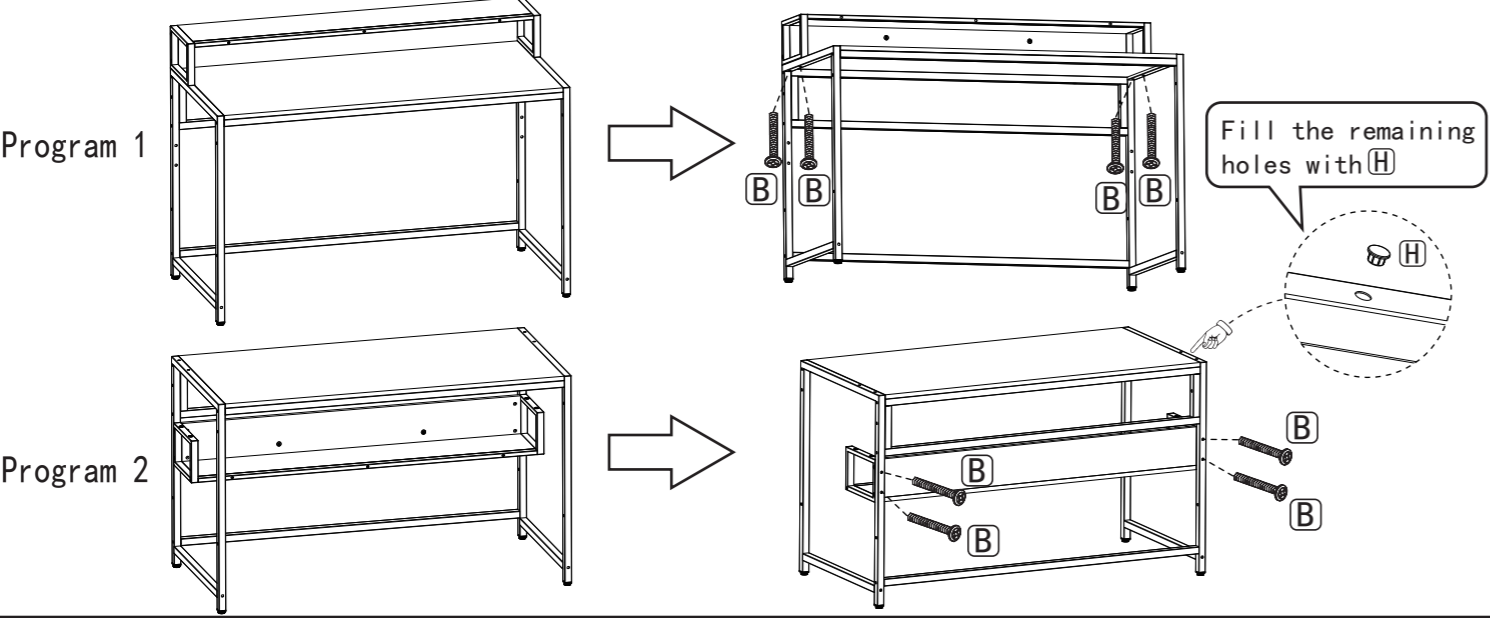


Installation tips:

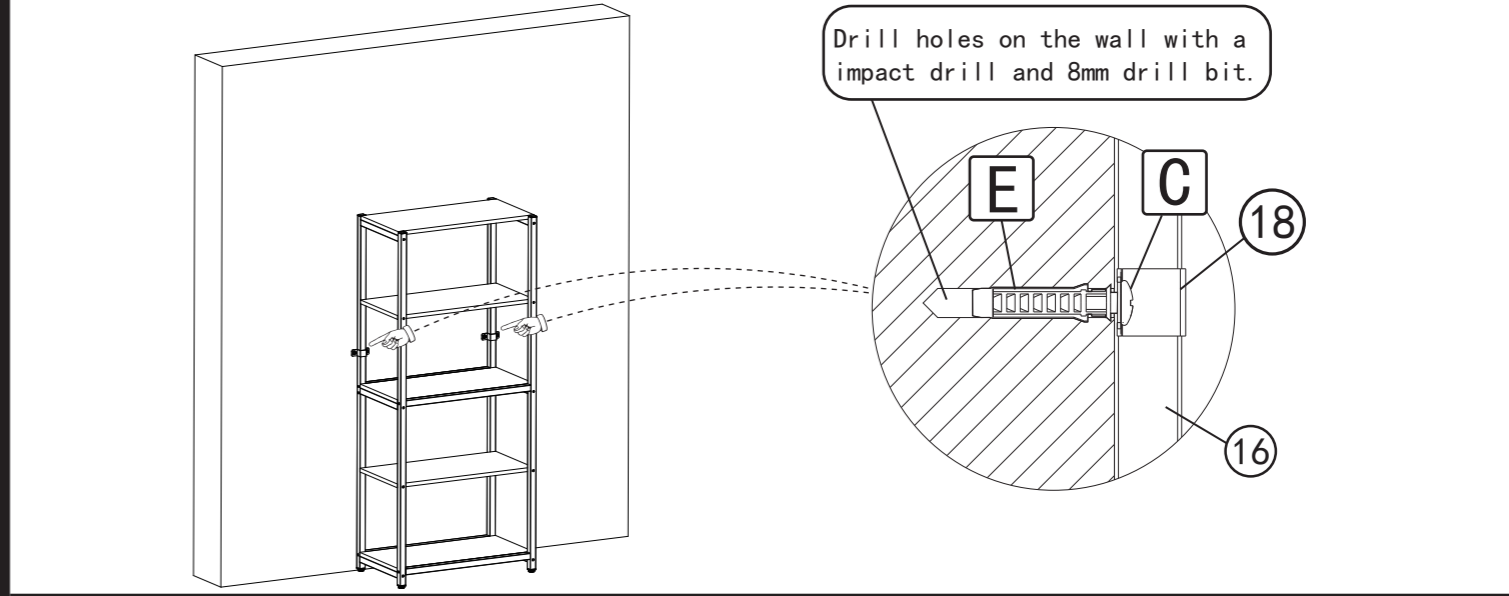
1. Please distinguish all parts according to the instruction before assembly.
2. Take note that screws can't be tightened until finishing the whole assembling.



2-3 The book stand can be used independently. Two installation methods are provided to meet your different needs.



3-4 The bookshelf can be used independently, and be sure to use 18 and C to fix it on the wall to prevent it falling down.



4. Bookshelves and desk can be used in combination, and they can be reversible assembly to meet different usage requirements.

