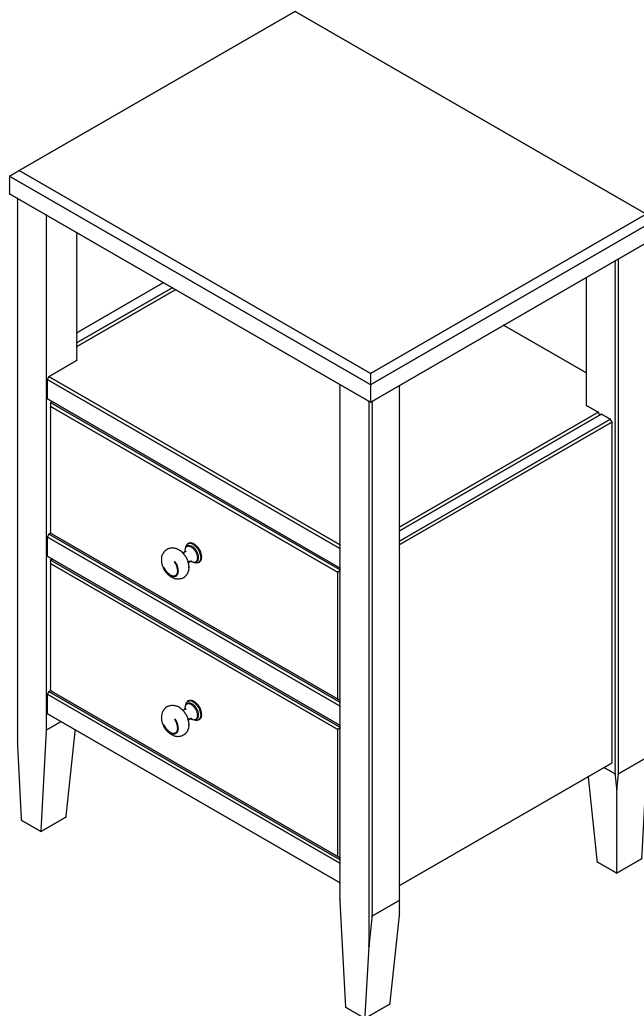


Instruction manual

**45cm 2 Drawer Bedside Table**



# **CONTENTS**

---

Safety and care advice	<b>1</b>
Components	<b>2</b>
Assembly instructions	<b>4</b>
Copyright	<b>12</b>

---



# SAFETY AND CARE ADVICE

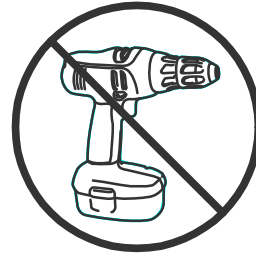


---

## PLEASE READ THESE INSTRUCTIONS CAREFULLY AND KEEP FOR FUTURE REFERENCE

- **Warning:** Please lift with care.
- Check you have all the components and tools listed on pages 2 and 3.
- Remove all fittings from the plastic bags and separate them into their groups.
- Keep children and animals away from the work area, small parts could choke if swallowed.
- Make sure you have enough space to lay out the parts before starting.
- Do not stand or put weight on the product, this could cause damage.
- Assemble the item as close to its final position (in the same room) as possible.

- Assemble on a soft level surface to avoid damaging the unit or your floor (use opened out unit carton).



- We do not recommend the use of power drill/drivers *for inserting screws*, as this could damage the unit. Only use hand screwdrivers.
- Dispose of all packaging carefully and responsibly.

---

## CARE AND MAINTENANCE

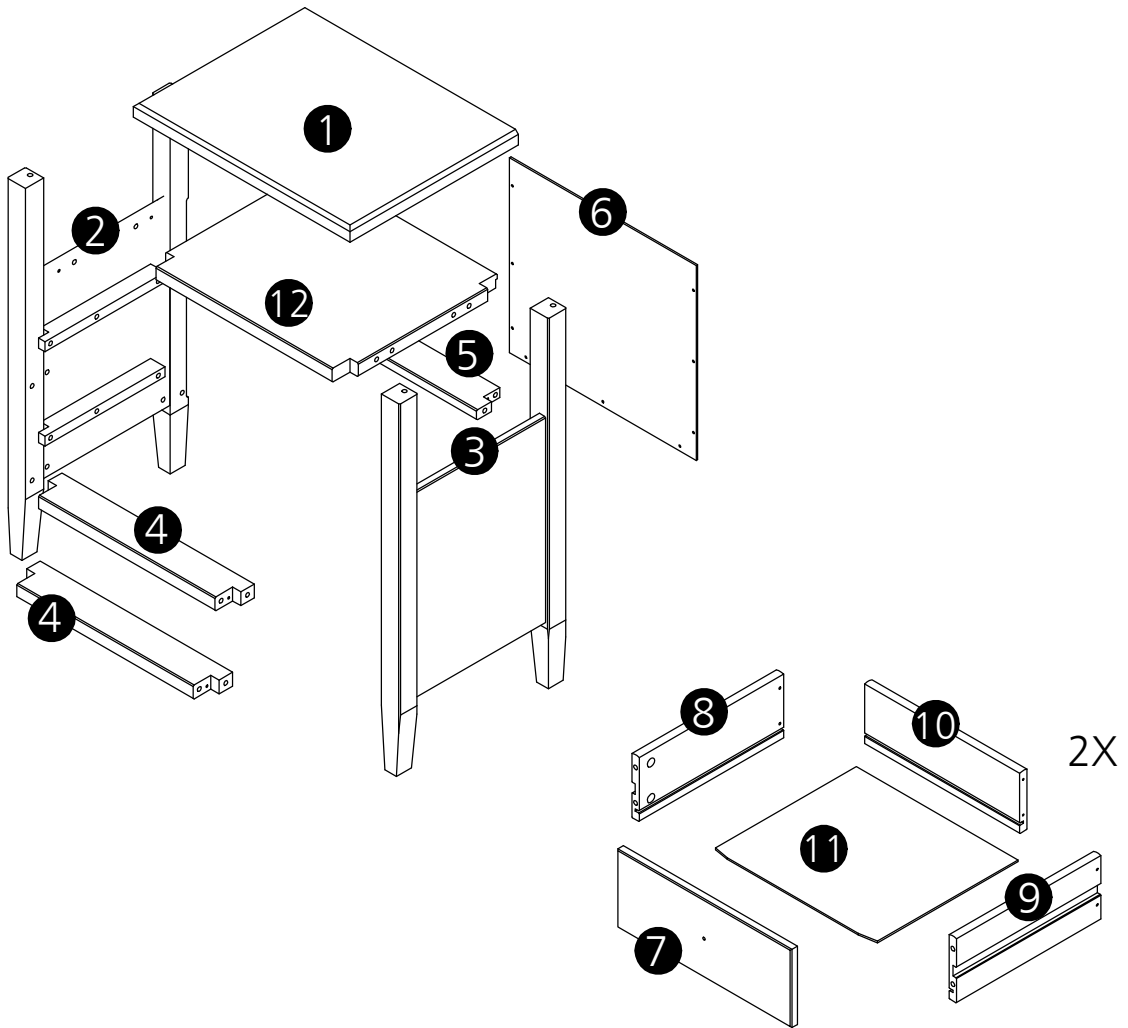
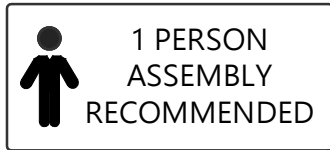
- Only clean using a damp cloth and mild detergent, do not use bleach or abrasive cleaners.
- From time to time check that there are no loose screws on this unit.

- This product should not be discarded with household waste. Take to your local authority waste disposal center.

*Note if required the next page can be cut out and used as reference throughout the assembly. Keep this page with these instructions for future reference.*

# COMPONENTS

Please check you have all the panels listed below.

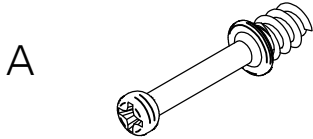


1	Top panel	1x	8	Drawer Left Side	2x
2	Left Side Panel	1x	9	Drawer Right Side	2x
3	Right Side Panel	1x	10	Drawer Back Panel	2x
4	Front Rail	2x	11	Drawer Bottom	2x
5	Back Rail	1x			
6	Back Panel	1x			
7	Drawer Front	2x			

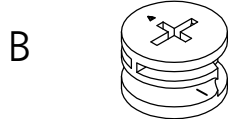


# COMPONENTS

Please check you have all fittings listed below.



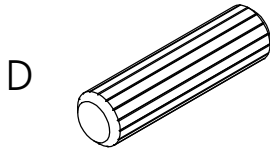
Metal Dowel x12



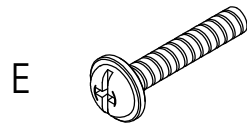
Look (Ø15x10mm) x12



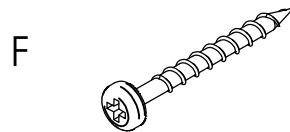
Screw (Ø3,5x16) x11



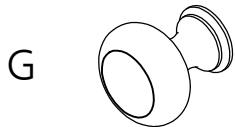
Wooden Dowel (Ø8x30mm) x16



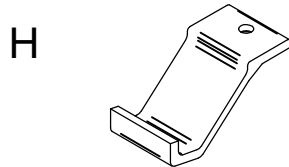
Screw (M4x22mm) x2



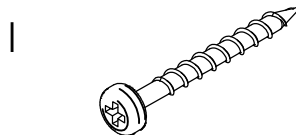
Screw (Ø3,5x30mm) x8



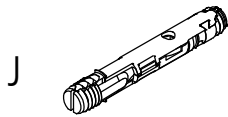
Metal Knob x2



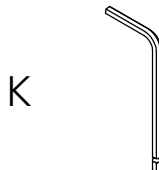
Drawer Lock x2



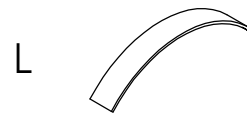
Screw (Ø3,5x35mm) x6



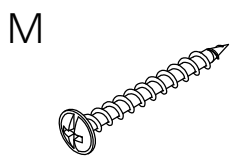
55mm x4



3mm x1



Strap (200x20x1mm) x1



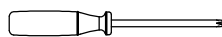
Screw (Ø3,5x30mm) x1



Washer x1

## TOOLS NEEDED

(We don't provide)

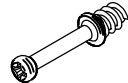
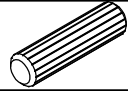



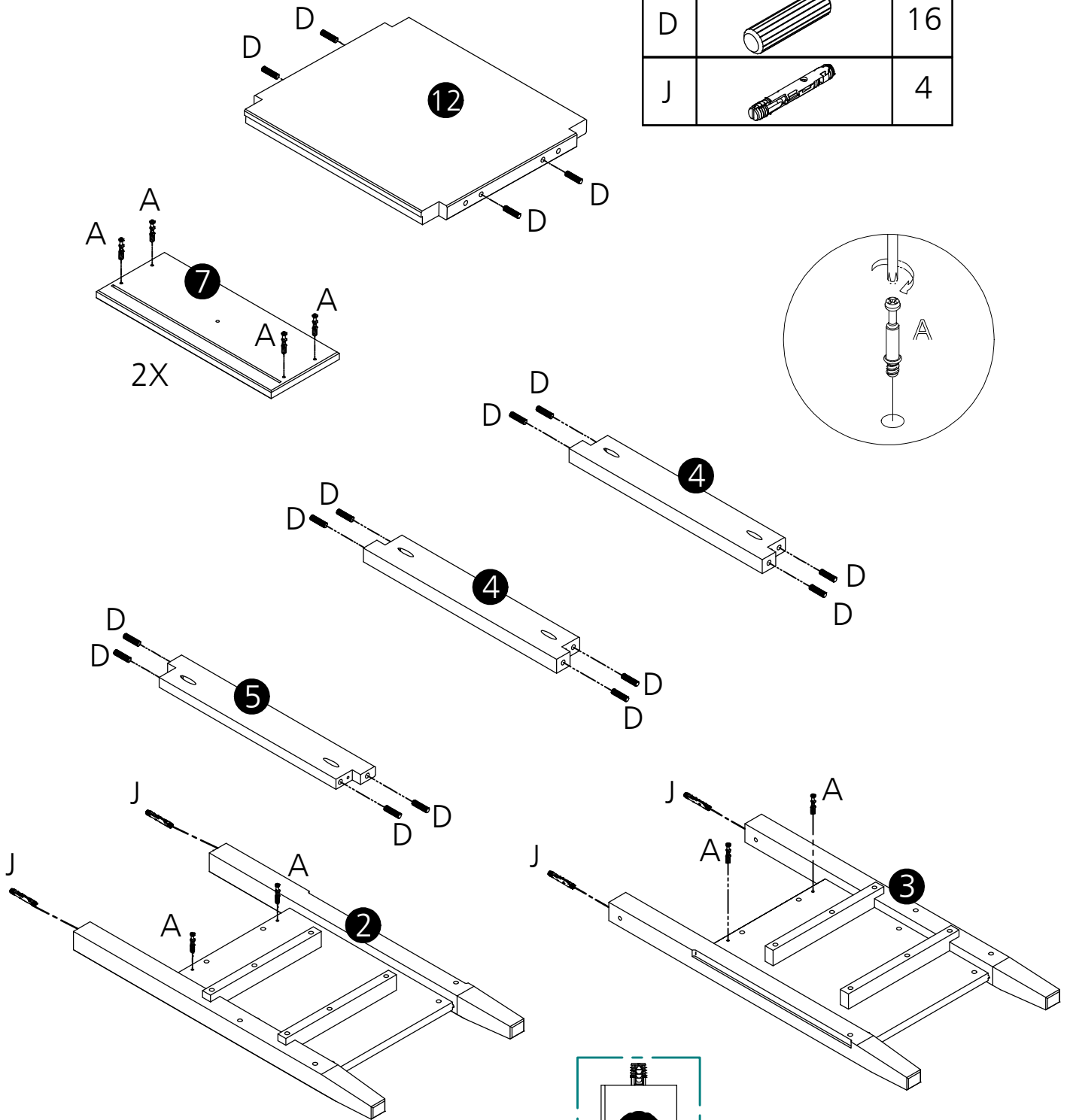
Phillips Screwdriver x1



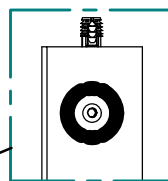
# ASSEMBLY INSTRUCTIONS

## Step 1

A		12
D		16
J		4




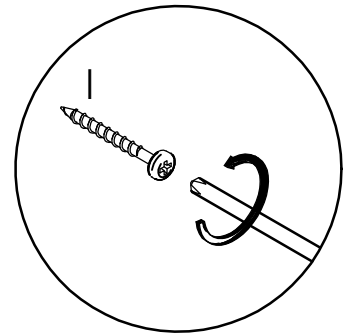
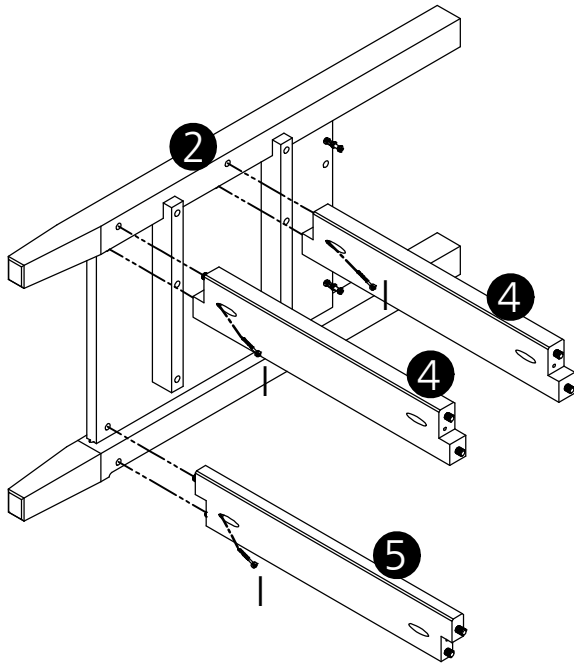
Make sure the hole in the hardware is aligned with the hole in the part.





# ASSEMBLY INSTRUCTIONS

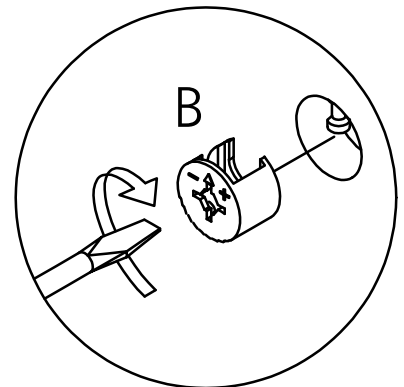
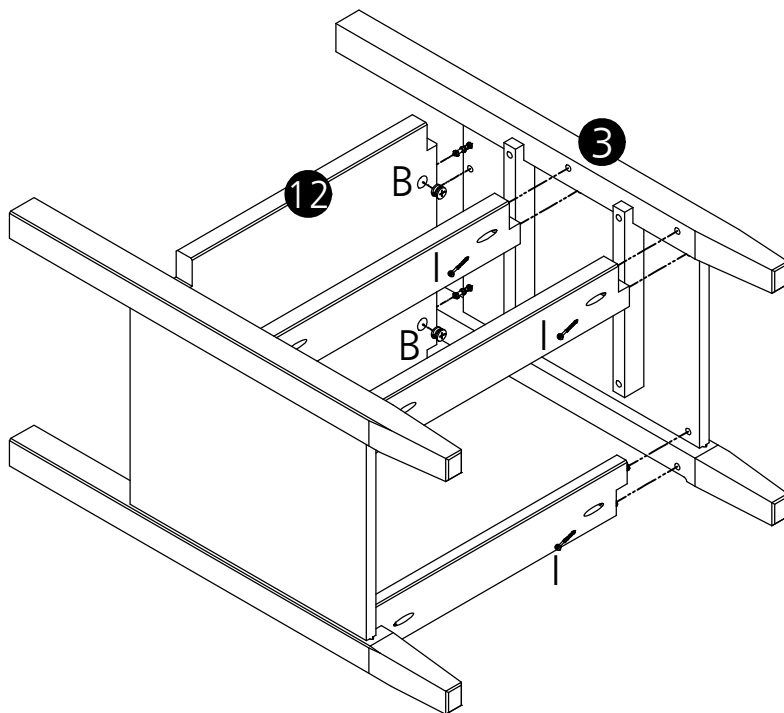
## Step 2

I		3
---	---	---



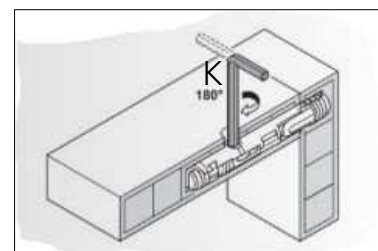
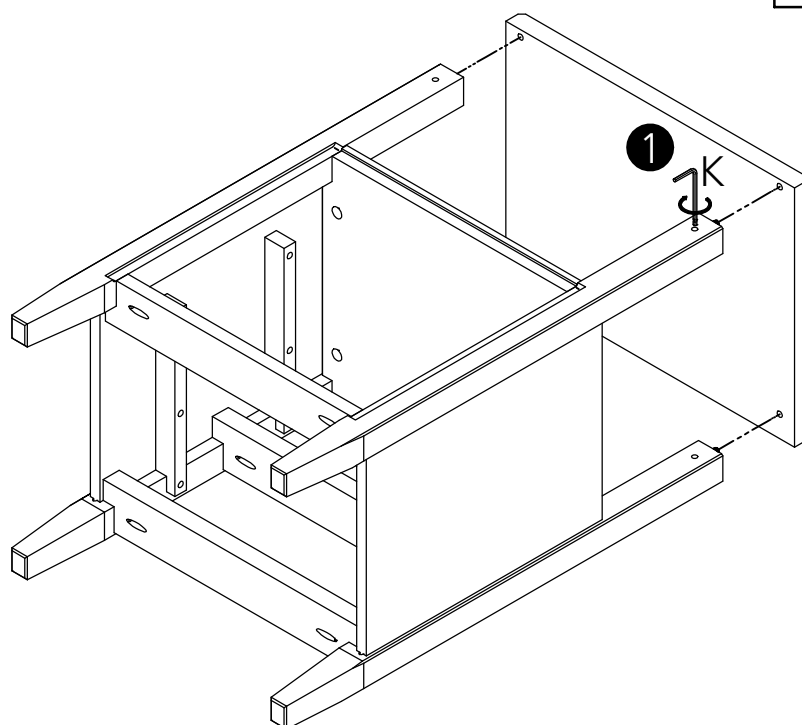
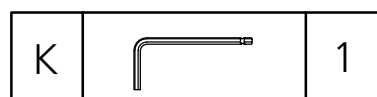
## Step 3

B		4
I		3



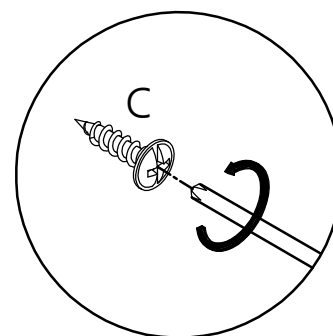
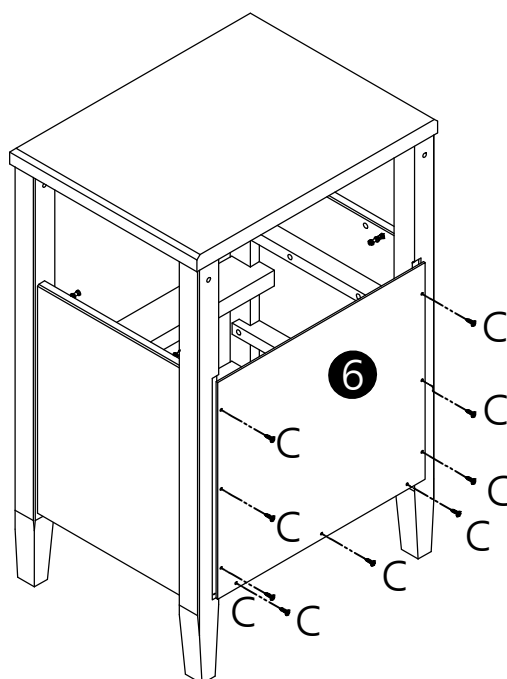
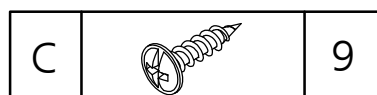
# ASSEMBLY INSTRUCTIONS

## Step 4



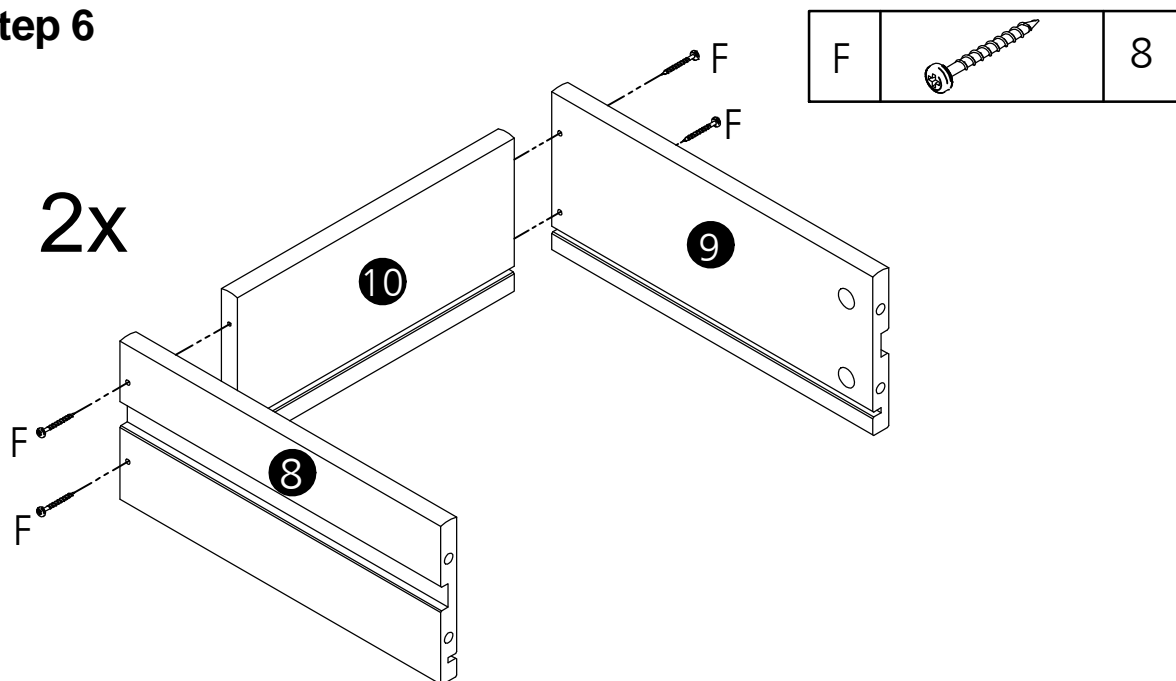
- Join the pieces using the connector "J" and turn the key "K" 180°, when turning the key, the connector expands, joining the pieces.

## Step 5

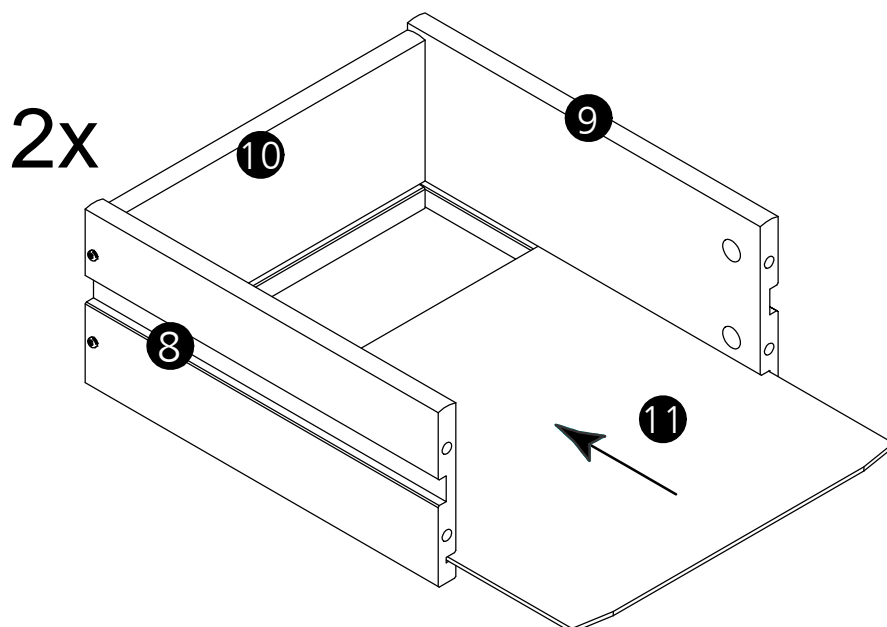


# ASSEMBLY INSTRUCTIONS

## Step 6



## Step 7

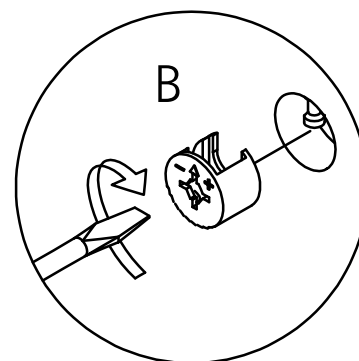
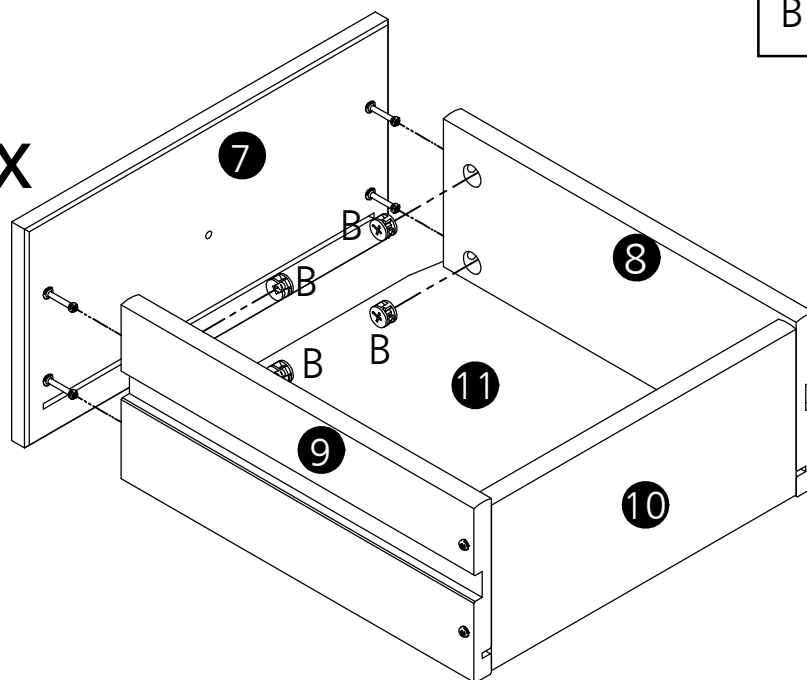


# ASSEMBLY INSTRUCTIONS



## Step 8

B		8
---	---	---

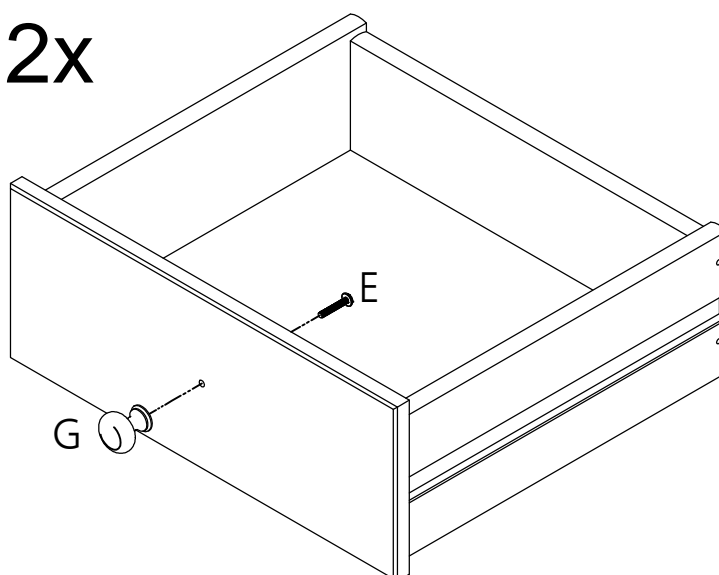
2x



## Step 9

G		2
E		2

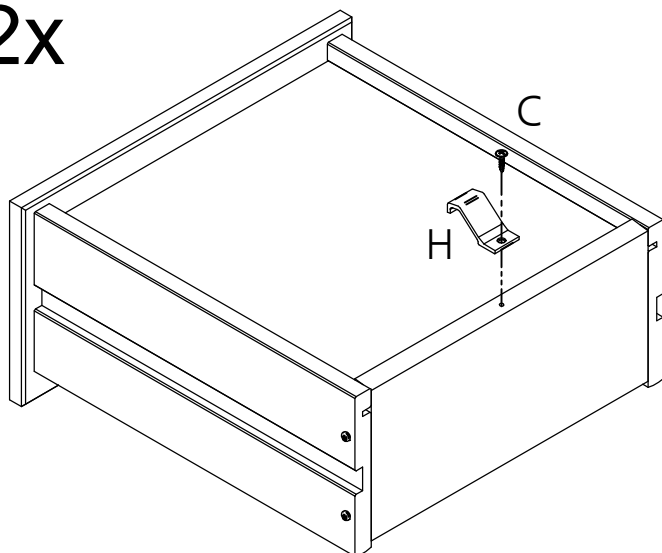
2x


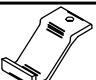


# ASSEMBLY INSTRUCTIONS

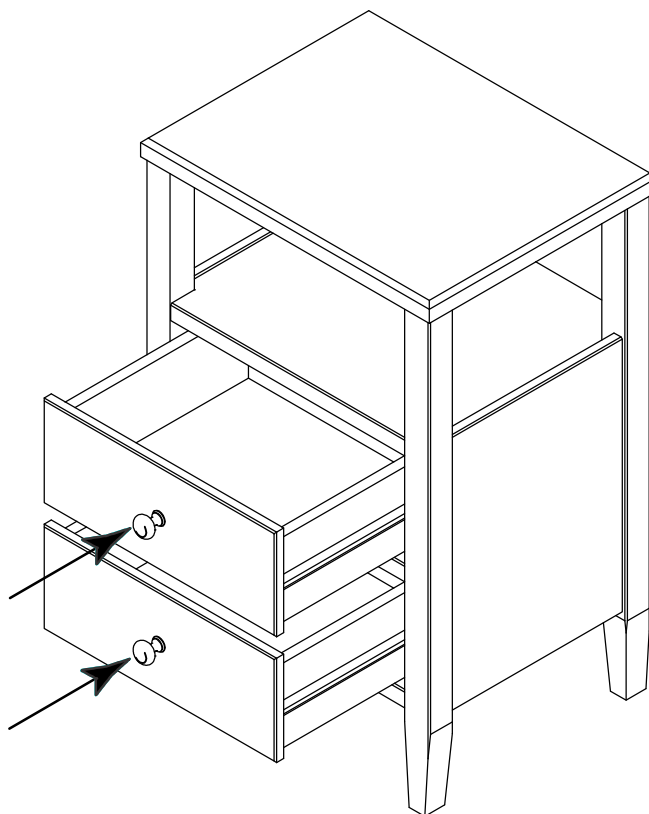
Step 10

2x



C		2
H		2

Step 11



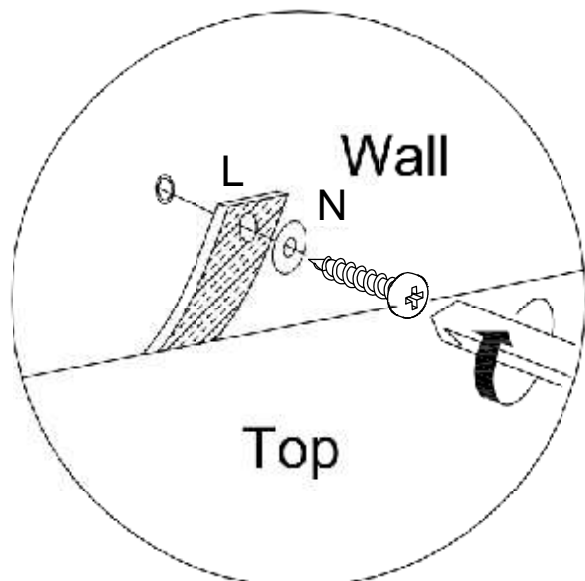
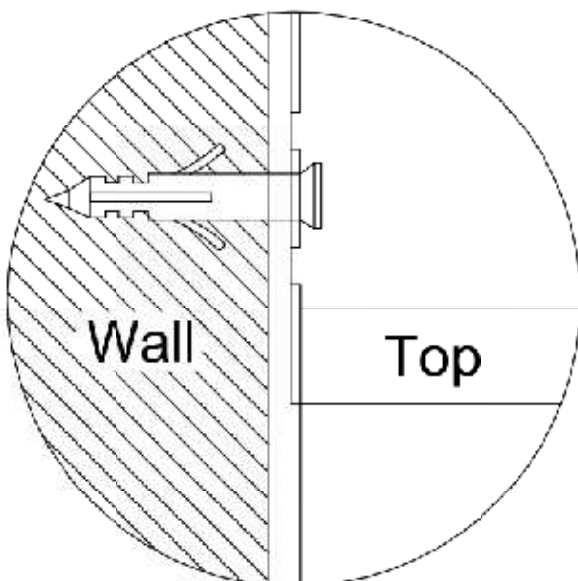
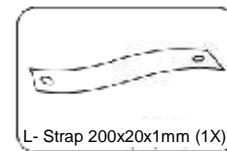
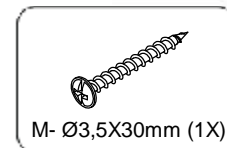
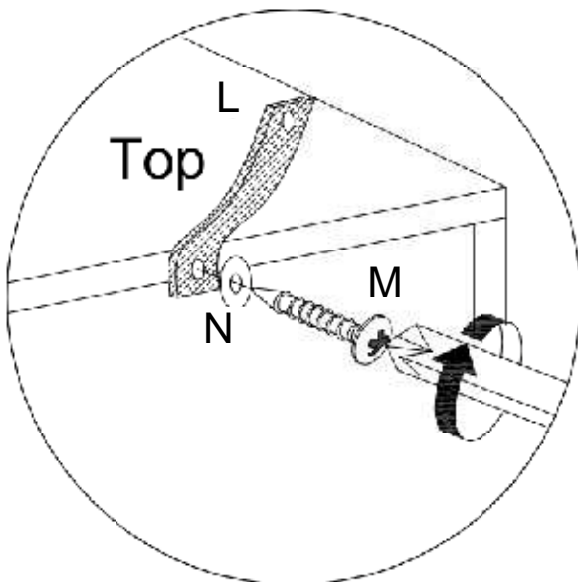
## Step 12

# WARNING

**Serious or fatal injuries can occur from furniture tipping over. To prevent the furniture from tipping over we recommend that it is permanently fixed to the wall.**

Wall fixings are not supplied with this product as different wall materials require different types of fixing devices.

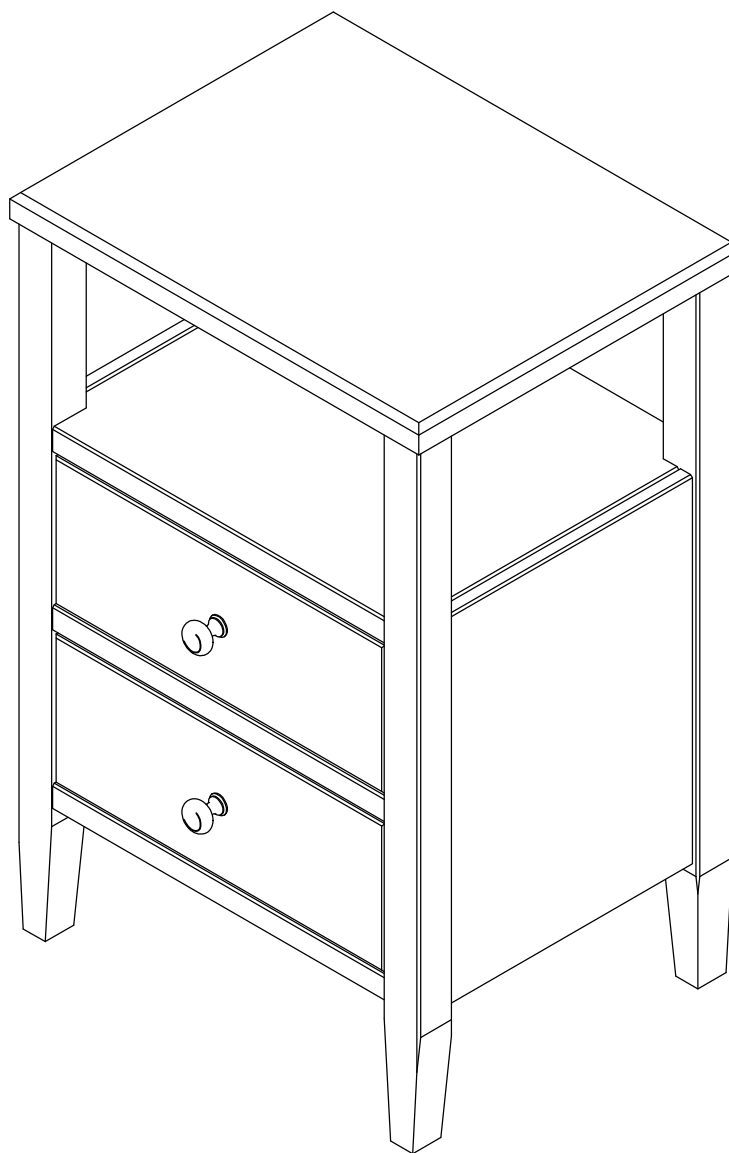
Please make sure you use fixings suitable for the walls in your home.



# ASSEMBLY INSTRUCTIONS

---

## Step 13



Congratulations! Now you have finished assembling the product.



## **IF YOU FIND A DEFECTIVE PART**

---

We fully stock all parts and components. Any defective part can be quickly replaced. Take note of the defective part number in manual and we will arrange a quick replacement.

You can email our team

## **COPYRIGHT**

---

All material in this instruction manual is copyrighted, .  
Any unauthorised use may violate worldwide copyright, trademark and other laws

Thank you for purchasing!

Version 1