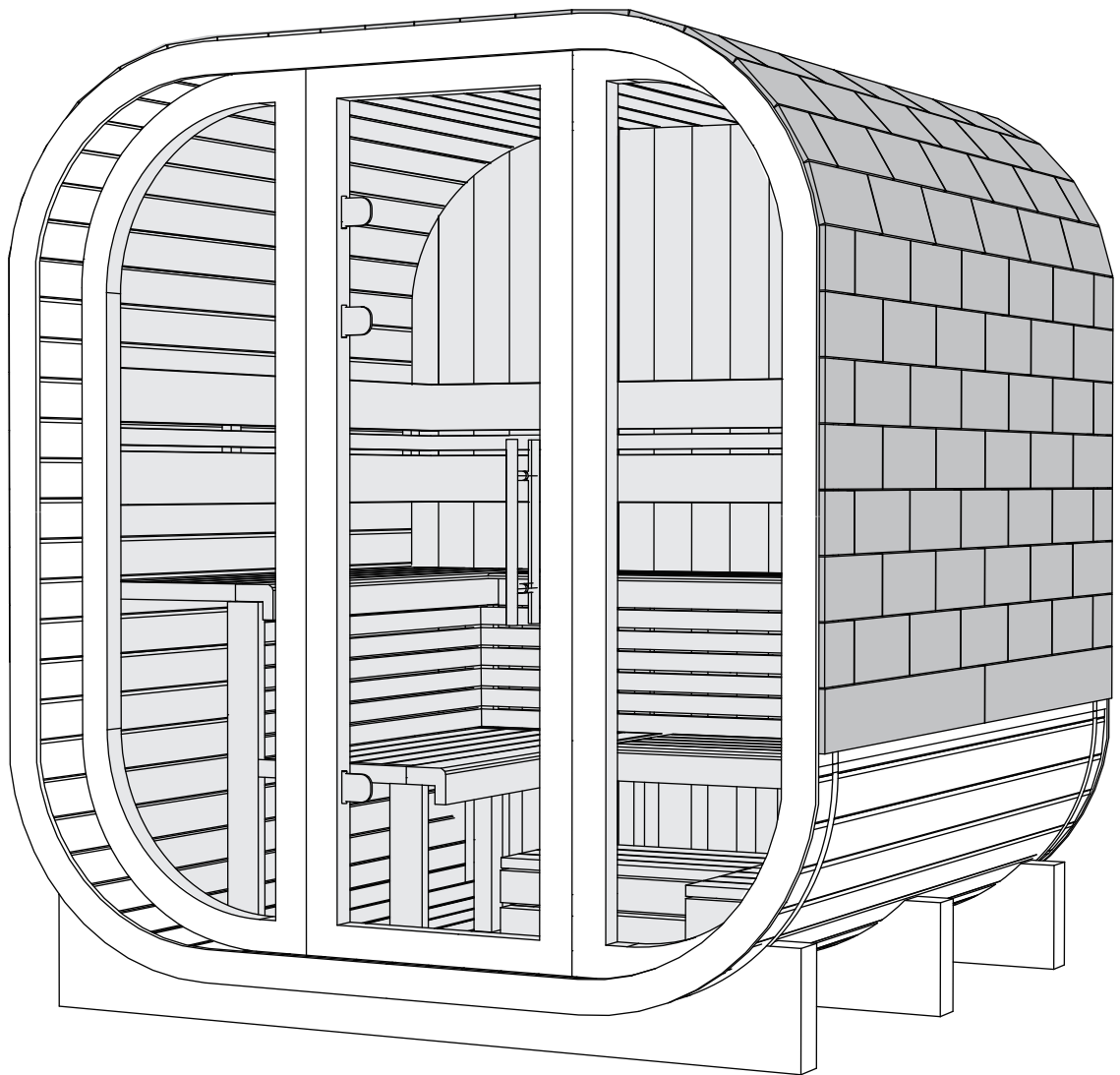


ASSEMBLY INSTRUCTIONS



- Please read the instructions carefully before installation.
- After reading, keep them properly for future use.

CONTENTS

1. USER MANUAL OF THE SAUNA.....	01
2. MAINTENANCE OF THE SAUNA.....	02
3. WARRANTY.....	02
4. INSTRUCTIONS BEFORE USE.....	03
5. INSTALLATION TIPS.....	04
6. PRODUCT SIZE.....	05
7. OVERALL STRUCTURE.....	06
8. EXTERNAL STRUCTURE.....	07
9. EXTERNAL WOOD STRIPS LIST.....	08
10. INTERNAL STRUCTURE.....	09
11. ACCESSORIES LIST.....	10
12. INSTALLATION STEPS.....	11
12.1 Base installation.....	11
12.2 Rear wall panel installation.....	12
12.3 Front door panel installation.....	13
12.4 Bench assembly.....	17
12.5 Door lintel installation.....	18
12.6 BPeripheral installation.....	19

1.USER MANUAL OF THE SAUNA

1. It is recommended to install the sauna above ground level to prevent the legs of the sauna from coming into direct contact with the ground. Install a water-resistant material, such as bitumen strips, between the legs of the sauna and the base.
2. Make sure that the surface on which you install the sauna is levelled and stable both before and after installing the sauna. Otherwise, the doors of the sauna may not open and close properly.
3. During the first heating of the sauna, it must be constantly supervised and the doors should be kept open, as the stove emits a specific smell when first heated.
4. The maximum permitted temperature of the steam room is +90 °C. If heated to a higher temperature, the sauna may be overheated.
5. After each use of the sauna, it is recommended to keep the stove warm, the doors open, and the footrests up for a while to allow the sauna to dry from the inside. If necessary, the water on the floor should be directed to the drain with a floor scraper to avoid damage caused by excess humidity.
6. When the weather is humid and if the wood has expanded, the metal hoops around the sauna should be loosened to avoid breaking the clamps and jamming the doors. When the weather is less humid and the wood has dried, the metal hoops around the sauna should be tightened from Tighten the nut so the hoop is under slight pressure. The hoop must be pressed fully against the wood so that it cannot be pulled away from the walls of the sauna.
7. The interior door should be regulated from the stopper and, if necessary, the hinges. If this is not a sufficient solution, remove the trims of the door and unscrew the screws them. This will relieve the pressure on the door.
8. Locing the sauna door from the inside is prohibited.
9. In order to avoid damage caused by the weight of snow, any snow should be removed from the roof of the sauna. Keep in mind that the roof covering should not be damaged during snow removal.
10. If your sauna has lighting, install a outdoor power cable . The power cable of the sauna must be connected to a residual-current circuit breaker! Consult an electrician if necessary.

2.MAINTENANCE OF THE SAUNA

1. The interior surfaces of the sauna, the window frames of the steam and washing room, and the frames of interior doors must be treated with a special substance before initial use to protect them from humidity and dirt and extend the useful life of the sauna. Later, this should be done once or twice a year.
2. Before initial use of the sauna, the benches and footrests must be treated with a protective oil to extend their useful life. Later, this should be done once or twice a year.
3. Before initial use of the sauna and once a year after that, the door, doorframe, threshold, and window frame of the anteroom as well as the floors of the washing room and anteroom should be treated with the lacquer.
4. The outer surface of the sauna is coated with a first protective coating during production. The second coating should be applied approximately two months after purchasing the sauna to extend its life and maintain its appearance.
5. We are not responsible for damage to your sauna due to insufficient or complete lack of maintenance.

3.WARRANTY

We supply one year warranty to all parts. Warranty covers manufacturing defects only and does not include damage caused by improper use, lack of maintenance, or neglect. Proper maintenance of the sauna is essential to ensure optimal performance. Failure to perform routine maintenance as per the manufacturer's guideline may result in voided warranty and no eligibility for compensation in case of damage or leaks.

4. INSTRUCTIONS BEFORE USE

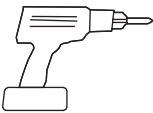
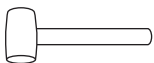




1. A member of the high blood pressure, heart disease, high blood pressure do not sauna.
2. Who has a cold should not be sauna. because the sauna room hidden cryptococcus bacteria can enter human body through respiratory tract, such as easy to cause pneumonia, etc.
3. Do not sauna when overwork and can't sleep in sauna room. People with poor muscle tone when they are tired, reduce the stimulation of cold and hot resistance ability, easy to cause collapse when sauna.
4. Do not sauna when on an empty stomach, lest cause cardiovascular collapse. Should not be sauna after overstrain brain or strenuous exercise. it can cause brain anemia or shock.
5. It is not suitable for sauna not after half an hour feast, because the high temperature make the skin vasodilation, blood backflow in great quantities, which affect the blood supply of the digestive organs, interfere with digestion and absorption of food.
6. Do not sauna after drinking. After heavy drinking, it can make the brain systems at the mercy of the function to drop, at this time if sauna, under the effect of alcohol, a amount of sweat will make human body caused by rapid filtration syncope.
7. Do not wear jewelry when sauna, like jade, necklaces, watches, etc are easy absorption of heat may be burn the skin.
8. Do not apply cosmetics, because it can block pore, prevent sweat evaporation.
9. Sauna is not suitable for the elderly, sitting in a sauna room, the body sweat more, the blood becomes sticky, it is easy to form thrombus, cause of various cardiovascular diseases. Especially the elderly, their body temperature regulating center not too sensitive, so not suitable for sauna.
10. Sauna should not be too long, if too long, excessive sweating can make the person to exhaustion; temperature is too high, can be difficulty breathing. In general, in the sauna room should be come out every 5-10 minutes. Setting temperature personalized, it is recommended that the dry steam temperature between 60 °C to 80 °C make the person feels more moderate.
11. Do not immediately come with cold air after sauna, prevent big difference temperature cause vascular contractions induced stroke.
12. Go with partner sauna, should be timely supplement moisture, do not wait until thirsty to drink.
13. Keep awake when sauna, if have shortness of breath, dizziness and other symptoms should immediately stop sauna, lie down in a better air circulation place. drink some cold boiled water, not drink too low water temperature.
14. Do not get up too fast and too hard, be sure slow up and adequate rest.

5. INSTALLATION TIPS

Instructions before assembly:

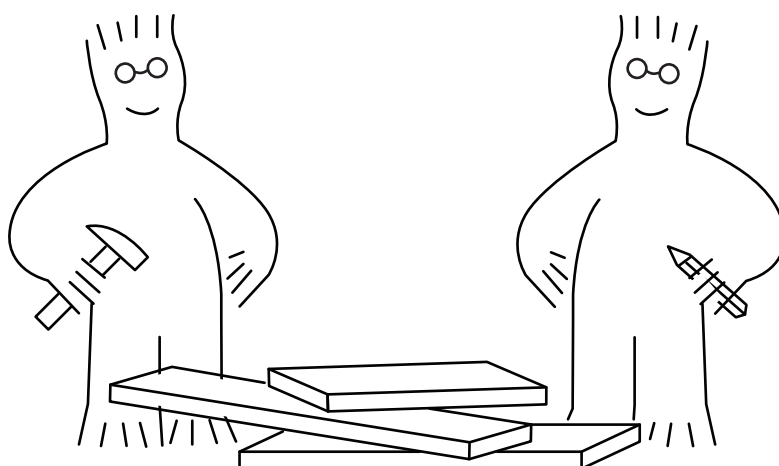
1. At least two people are required to assemble the sauna.
2. Assembly location: check whether the ground or platform is horizontal. and slight slope will not affect the assembly and use of sauna. but if the slope is evident, a pad is needed to keep the sauna level.
3. All screw heads to assemble sauna must be completely inserted into wood to avoid scratching skin during use. If you want to assemble accessories provided by other companies to the sauna, try to avoid metal accessories. or insulate them.
4. Please find qualified electricians to install the electrical elements in sauna.

Please prepare the following aids:

					
Power Drill *1	Plastic Hammer *1	Adjustable Wrench *2	Tape *1	Bar Level *1	Pencil *1

Installer recommendations:

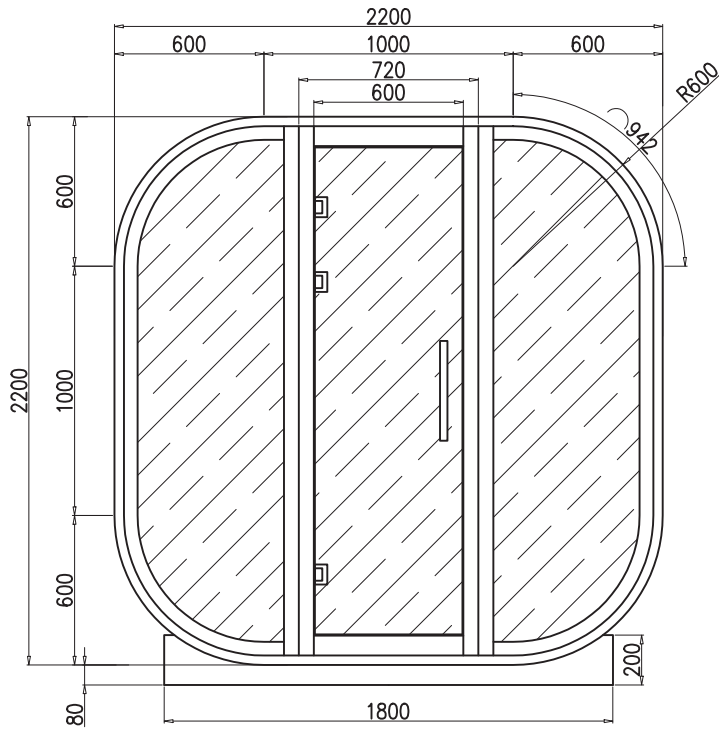
1. It is recommended that two people work together to install for higher installation efficiency.
2. Improve the safety of the assembly process and better complete the alignment and lifting operations.



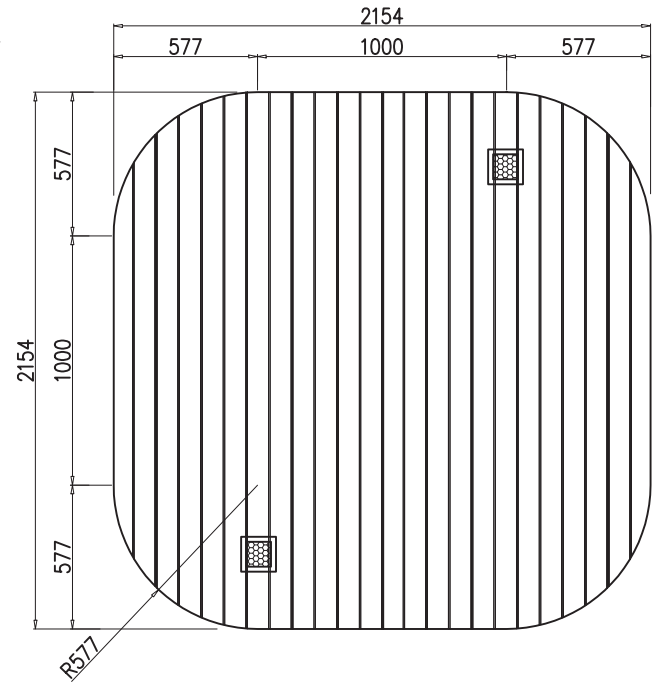
Installation precautions:

When tightening the screws, avoid over-tightening to damage the plate.

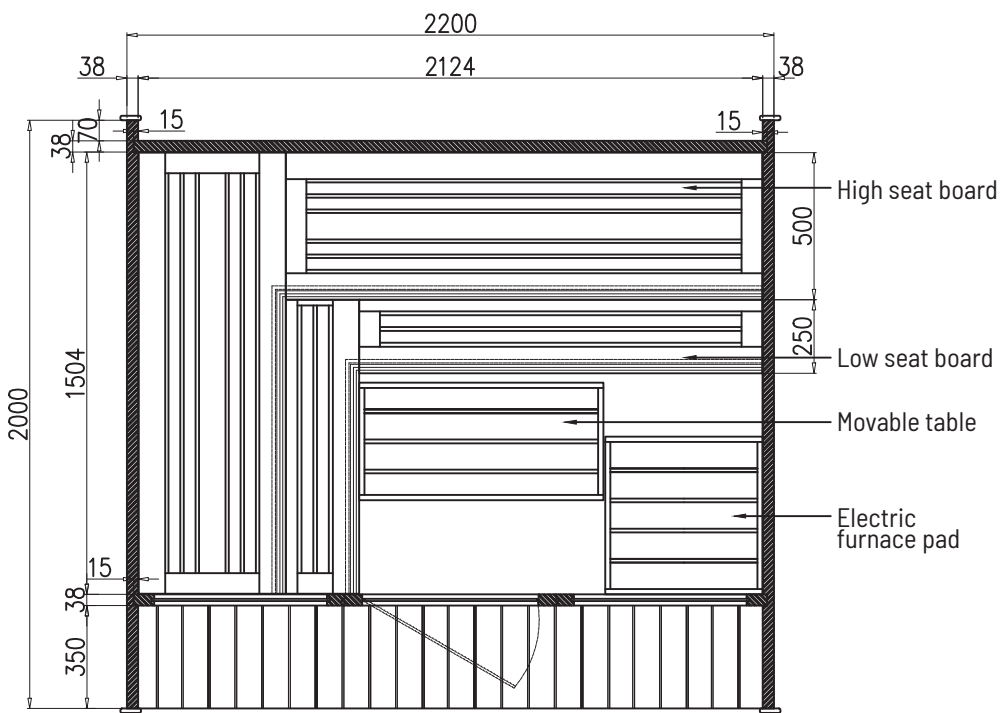
6.PRODUCT SIZE



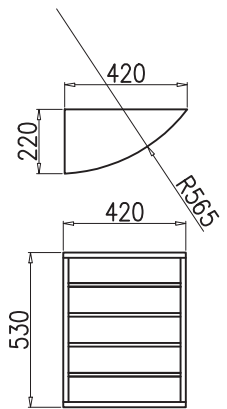
Front view



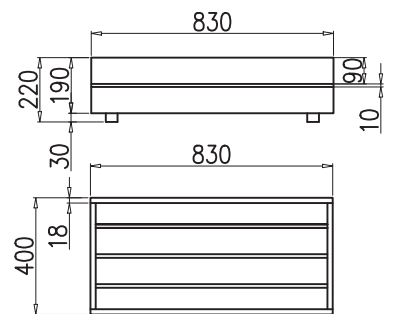
Rear wall diagram
(board thickness 38mm)



Internal top view



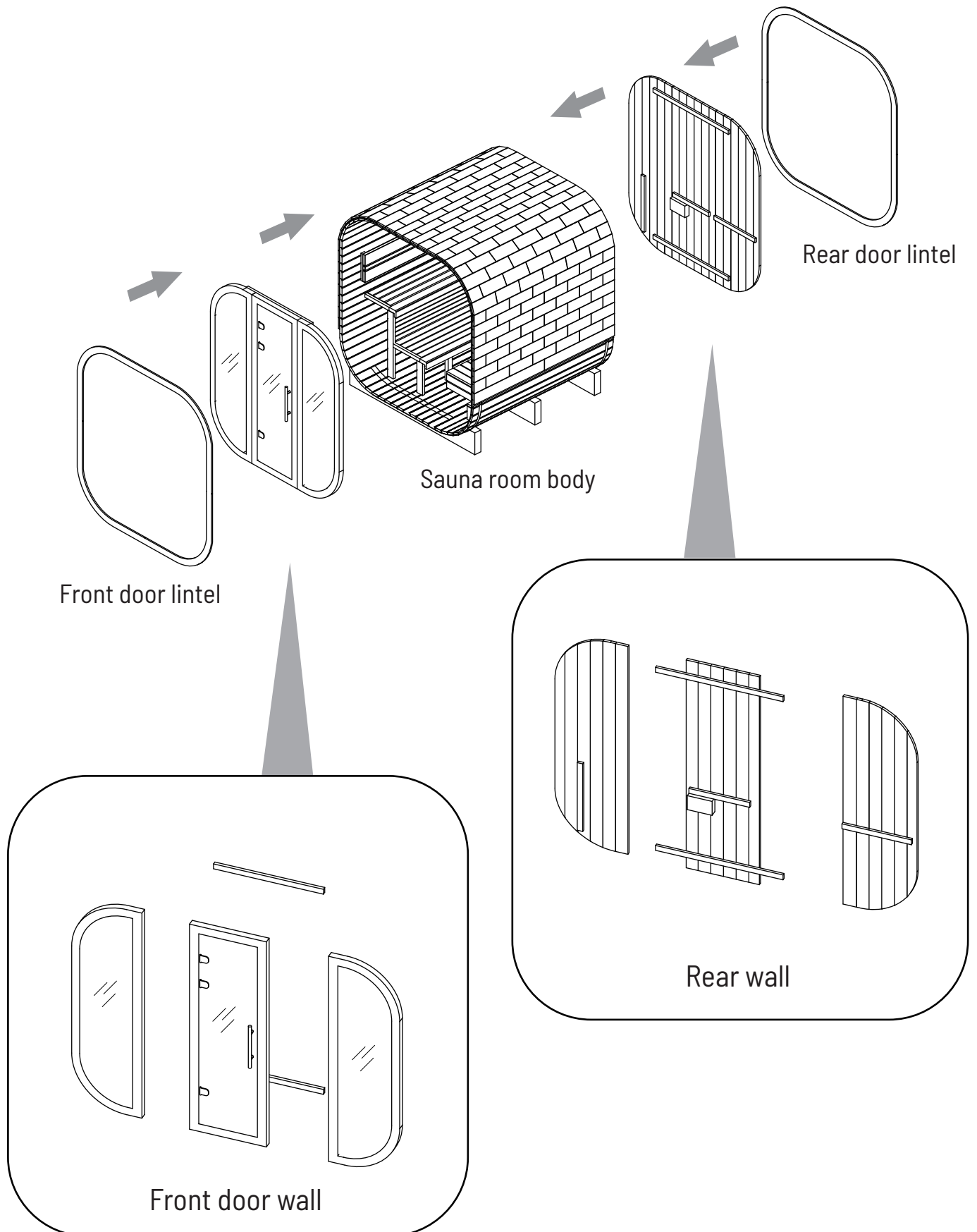
Electric furnace pad frame



Movable step board

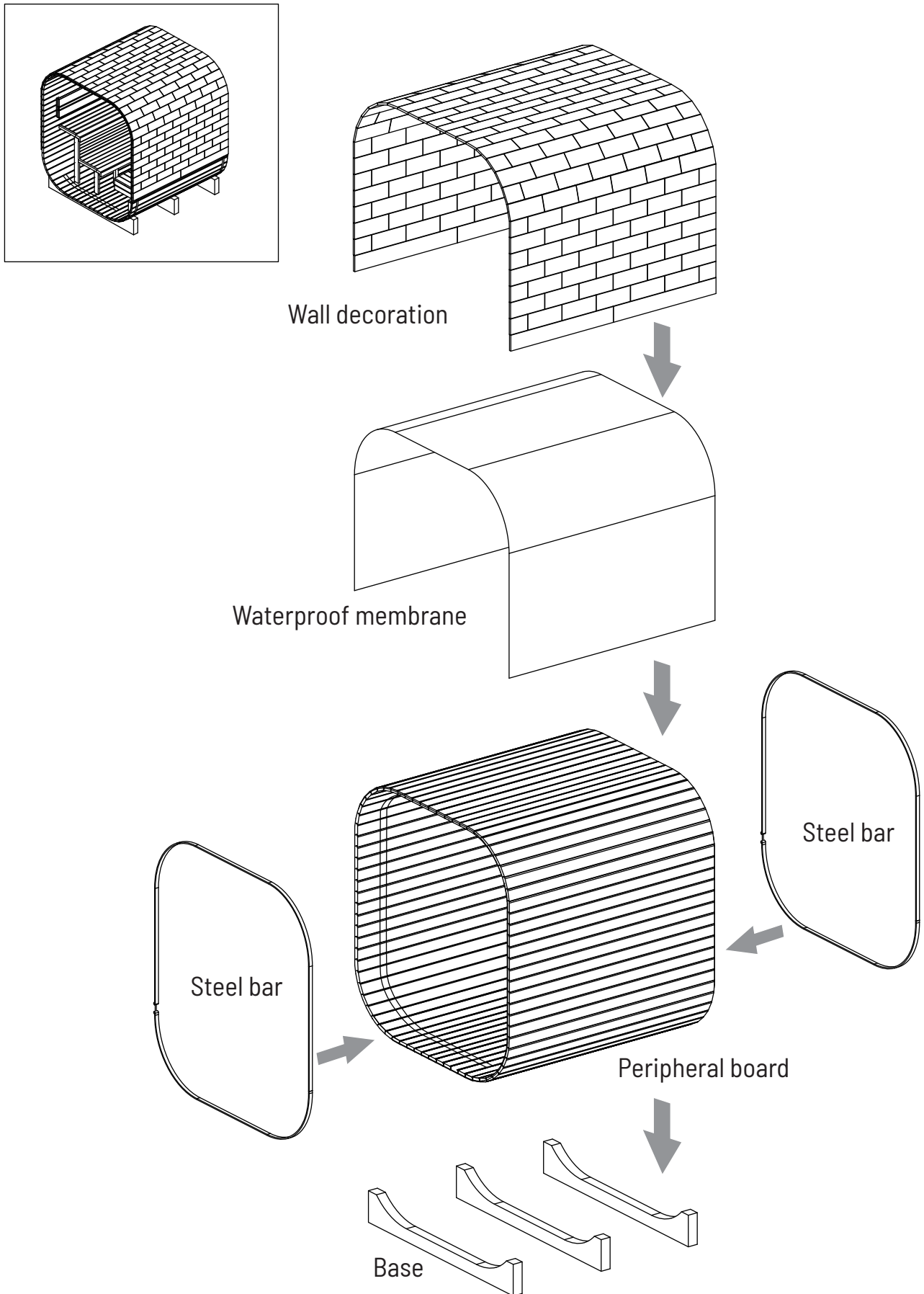
7.OVERALL STRUCTURE

- Overall exploded view.



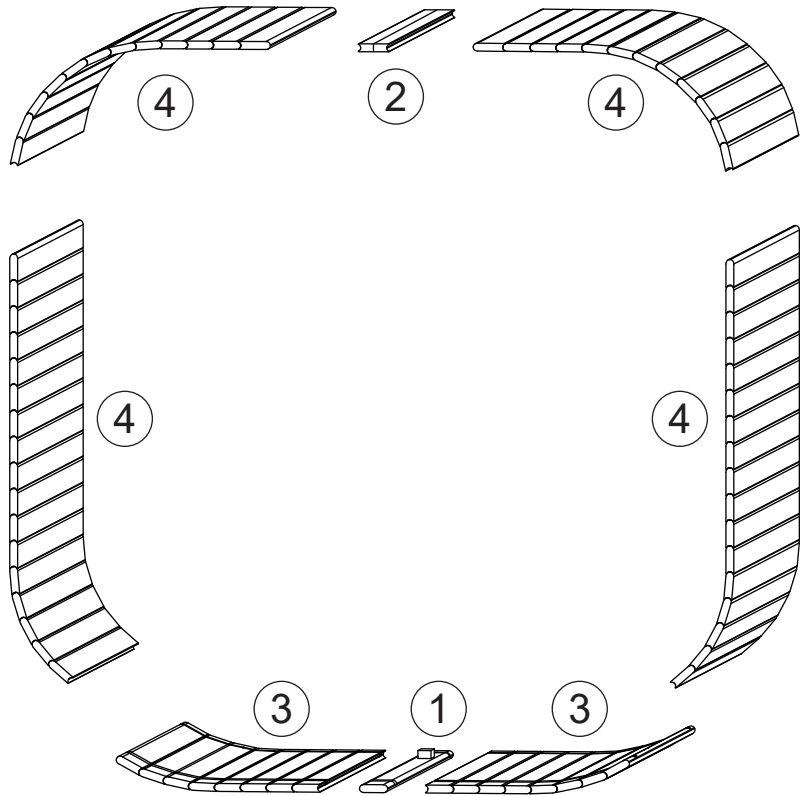
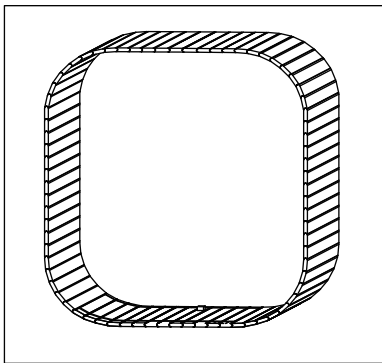
8.EXTERNAL STRUCTURE

- Exploded view of the sauna room.

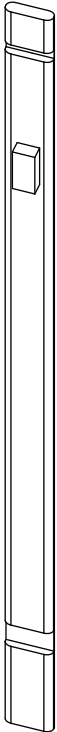

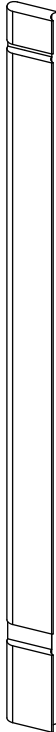



9.EXTERNAL WOOD STRIPS LIST

- External wood board decomposition diagram and accessories list.

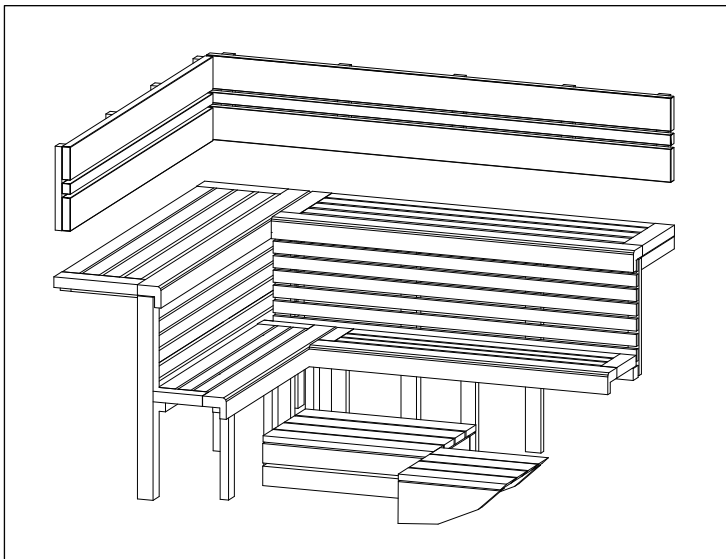


- Barrel board list:

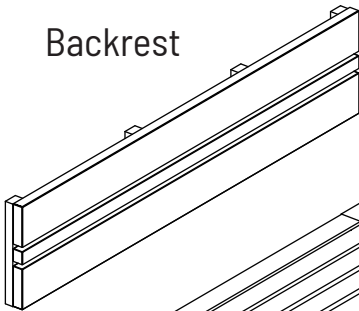
<p>① ×1</p> 	<p>② ×2</p> 	<p>③ ×16</p> 	<p>④ ×68</p> 
---	---	--	--

10.INTERNAL STRUCTURE

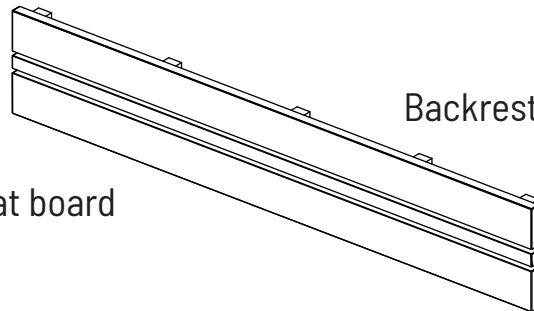
- Internal structure diagram and accessories list.



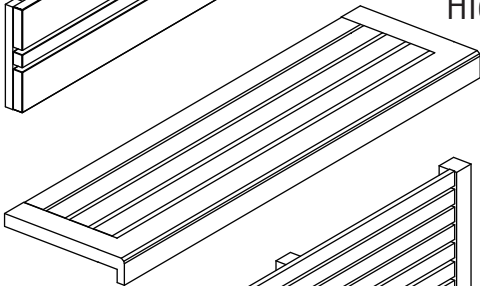
Backrest



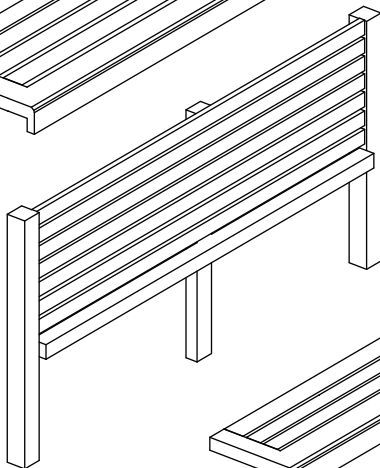
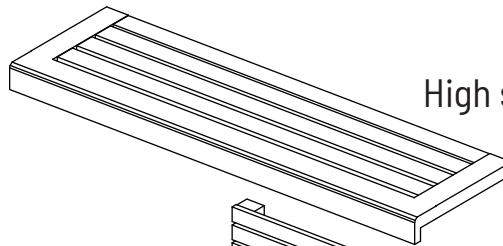
Backrest



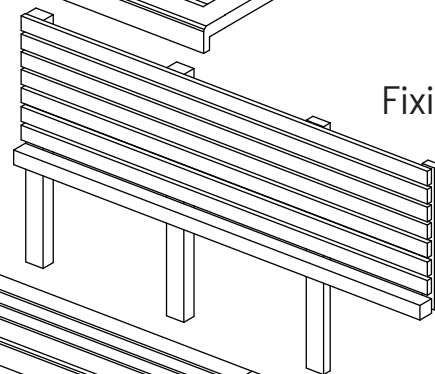
High seat board



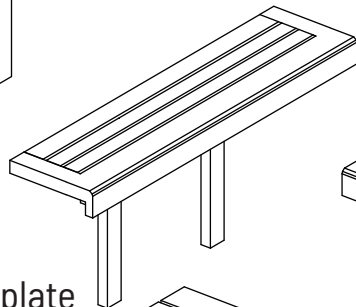
High seat board



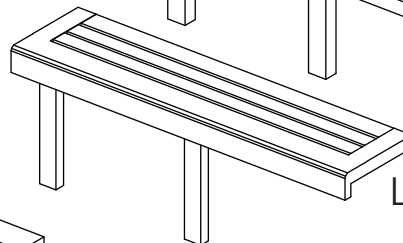
Fixing frame



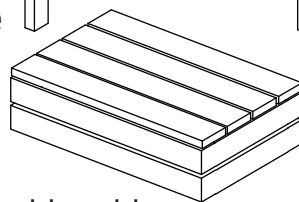
Fixing frame



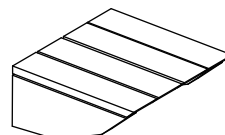
Low seat plate



Low seat plate








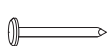
Movable table



Electric furnace pad

11.ACCESSORIES LIST

- Hardware List:

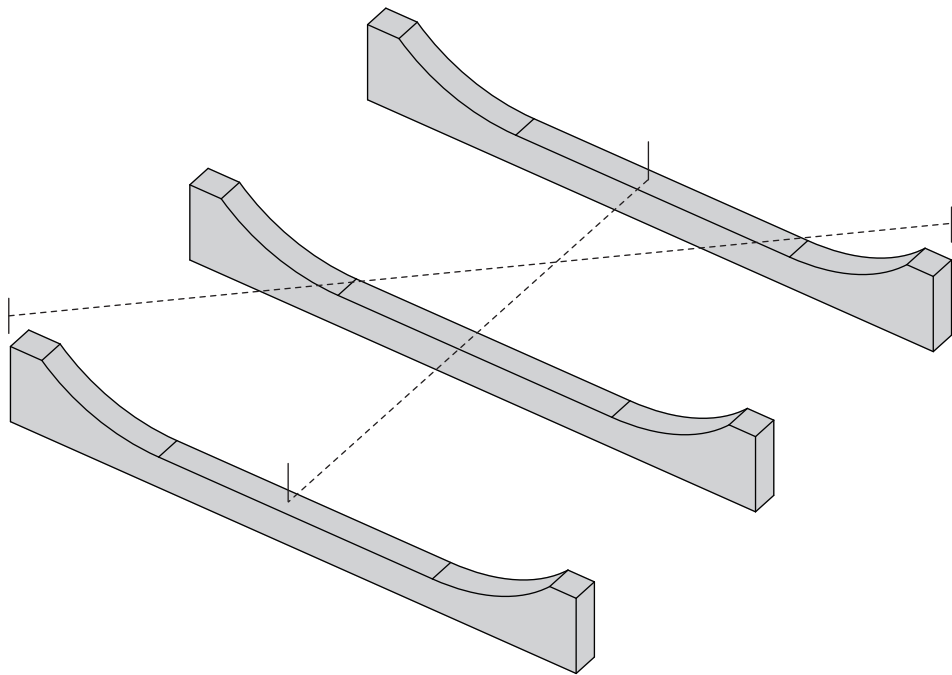
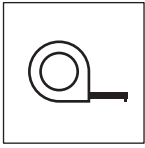
A		Screws 4x60mm	×45
B		Screws 4x50mm	×53
C		Screws 4x40mm	×146
D		Screws 4x35mm	×9
E		Screws 4x30mm	×36
F		Waterproof tile M1.6x21mm	0.4kg

- Quantity used for each part:

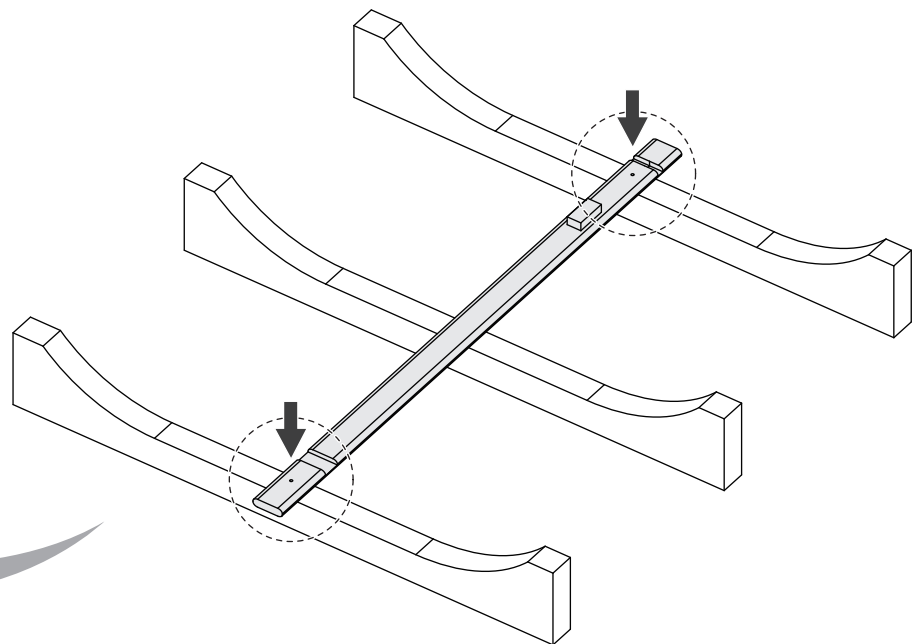
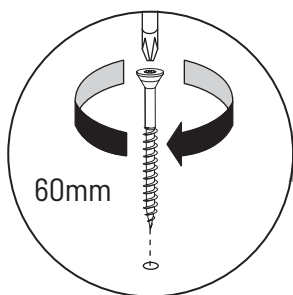
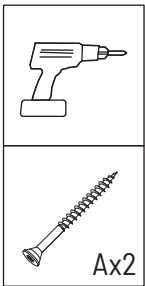
Base screw 4x60mm	×37	Base plate fixing 4x60mm	×8
Barrel 4x40mm	×80	Backrest 4x50mm	×8
Front panel connection 4x50mm	×14	Door lintel 4x40mm	×48
Rear panel connection 4x50mm	×14	Sit-stand plank 4x40mm	×2
Bottom plate support 4x50mm	×17	Door 4x35mm	×9
Sit-stand board fixed 4x40mm	×8	Front panel 4x30mm	×36
Short leg support 4x40mm	×8	Waterproof tile M1.6x21mm	0.4kg

12.INSTALLATION STEPS

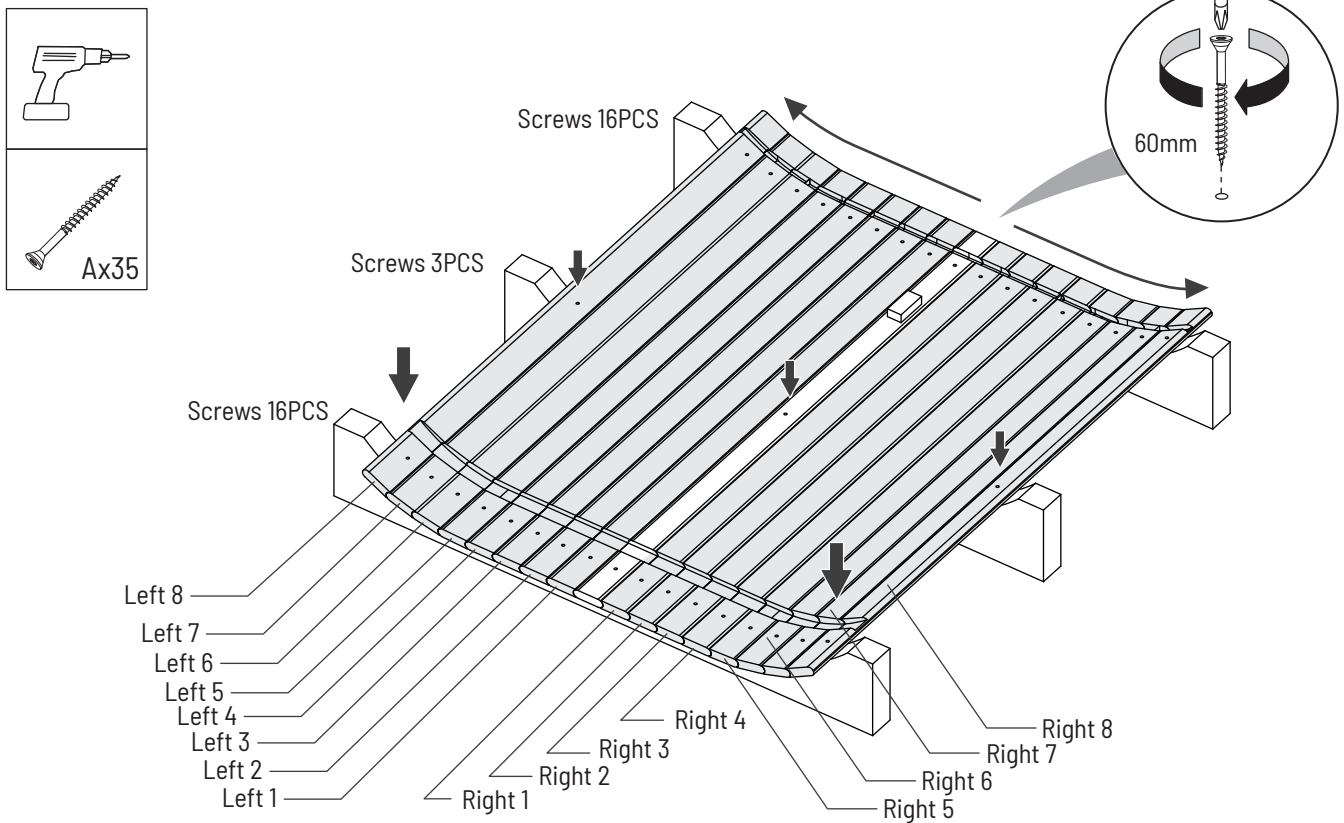
- 1** The length of depends on 1 to 3 base blocks.The distance among bases can be distributed freely and equally by customers.



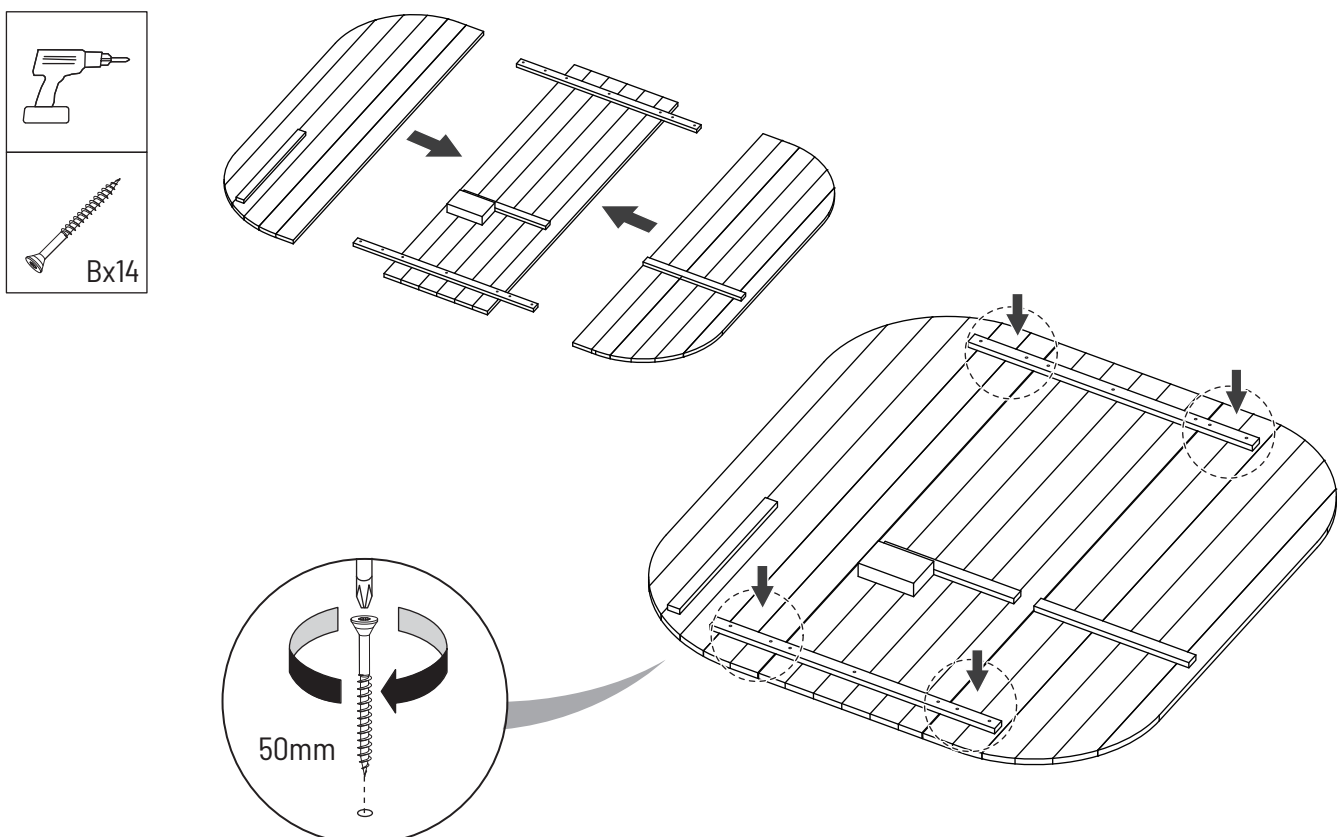
- 2** Install the bottom middle wood board and secure the base using drive screws at the front and back.



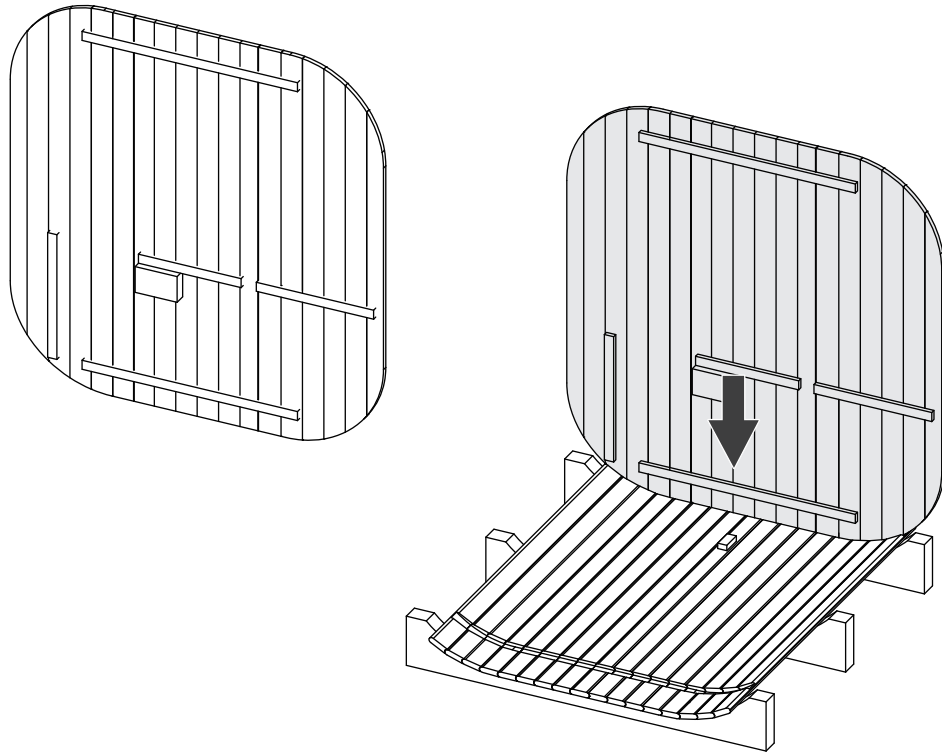
3 Install the bottom board, assemble from the middle to both sides. Finally, screw in screws at both ends to secure the base.



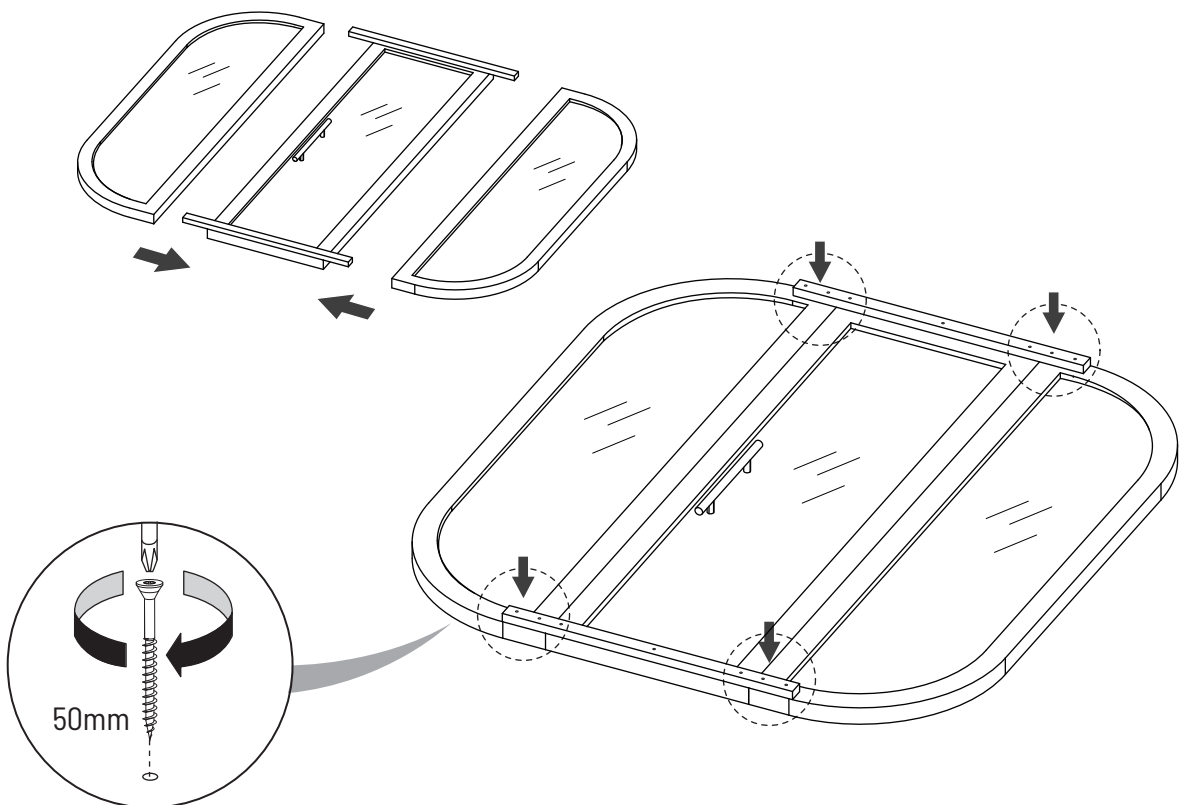
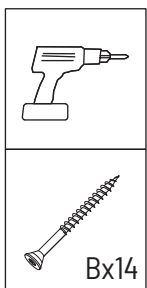
4 Back wall assembly: Install the middle panel of the back wall, the left and right panels, and screw in the screws to fix. (It is recommended to install it flat)



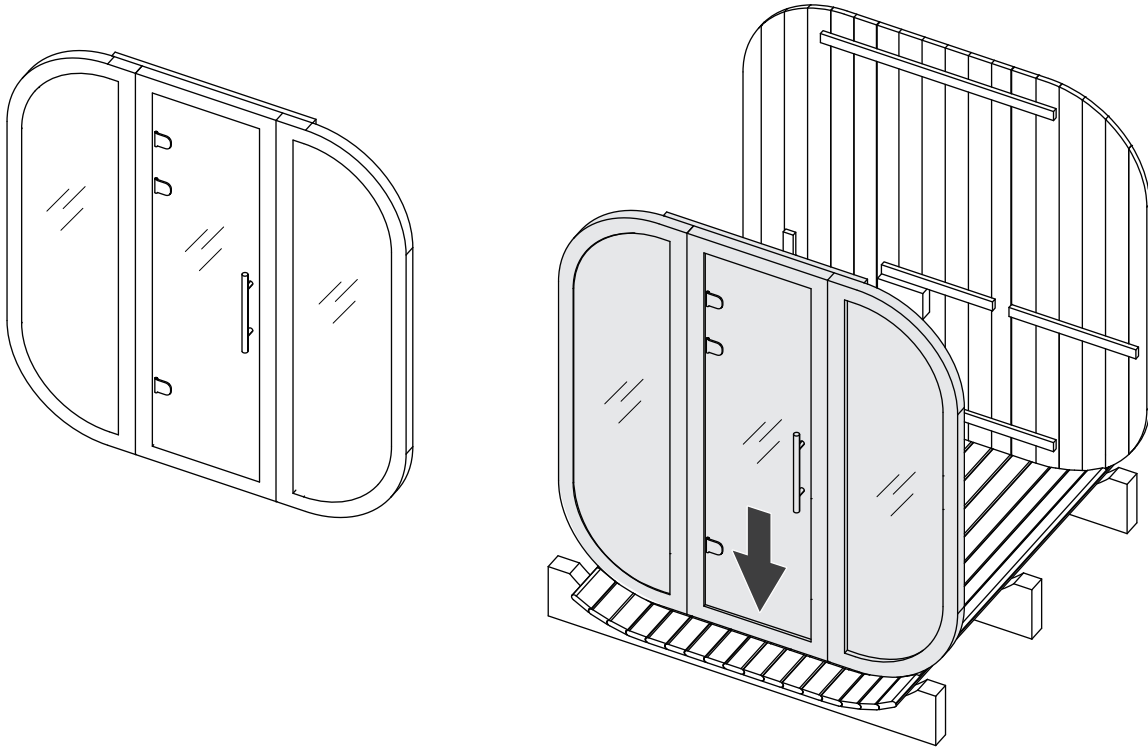
- 5** Lift the back wall and insert it into the bottom slot to fix it. (Be careful not to install it in the wrong direction)



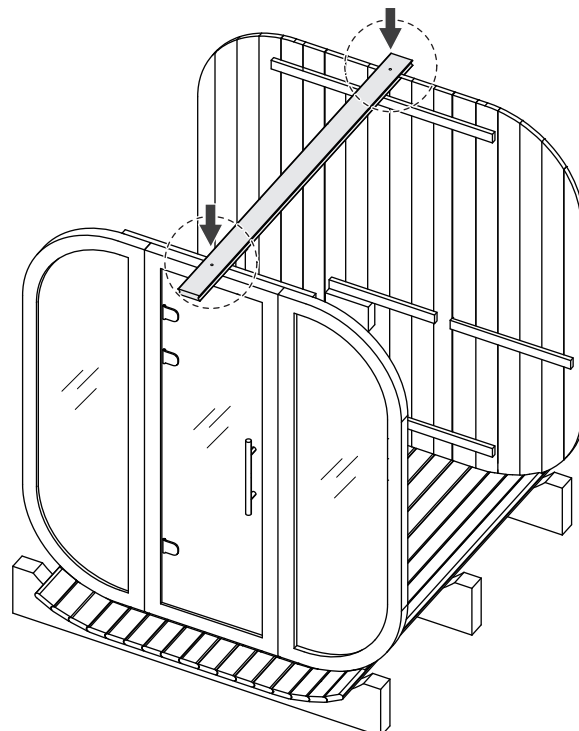
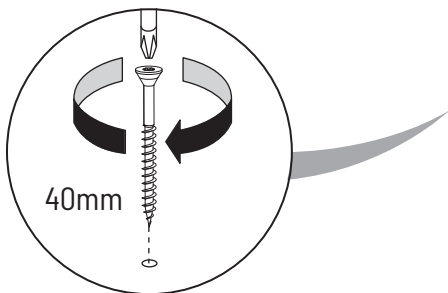
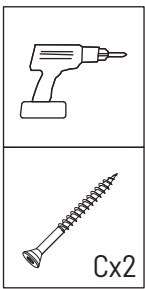
- 6** Front door wall assembly: Install the front door panel, the left and right panels, and screw in the screws to fix it. (It is recommended to install it horizontally)



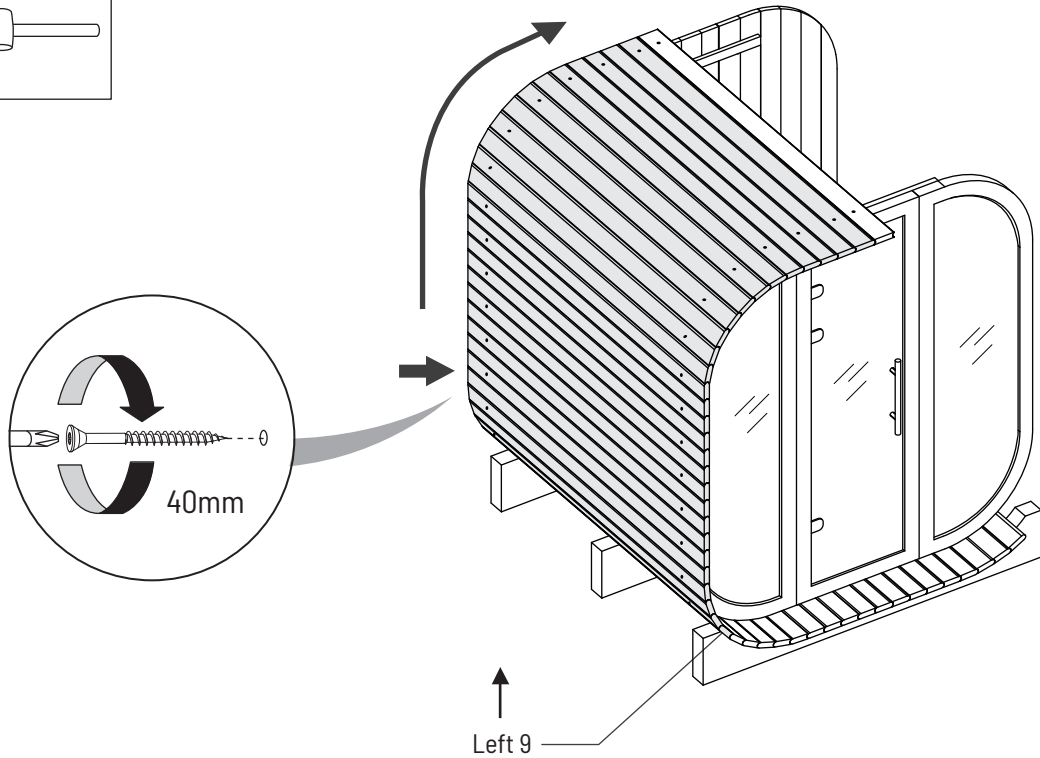
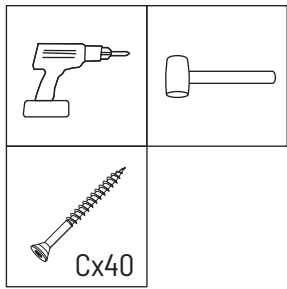
- 7** Lift the front door wall and insert it into the bottom groove to fix it. (Be careful not to install it in the wrong direction)



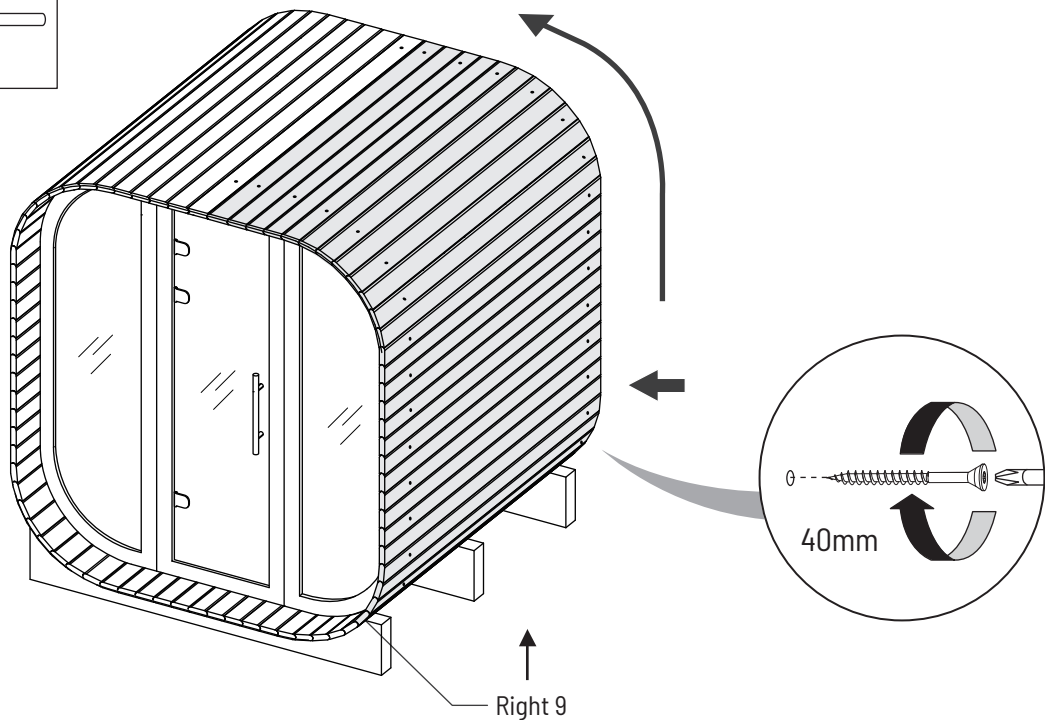
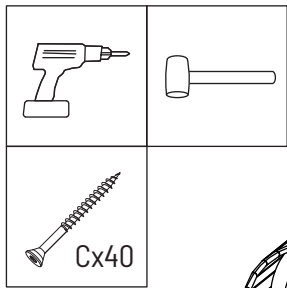
- 8** Install the middle wooden board of the top beam, fix the front door wall and the rear wall, and finally screw in the screws at both ends to fix it.



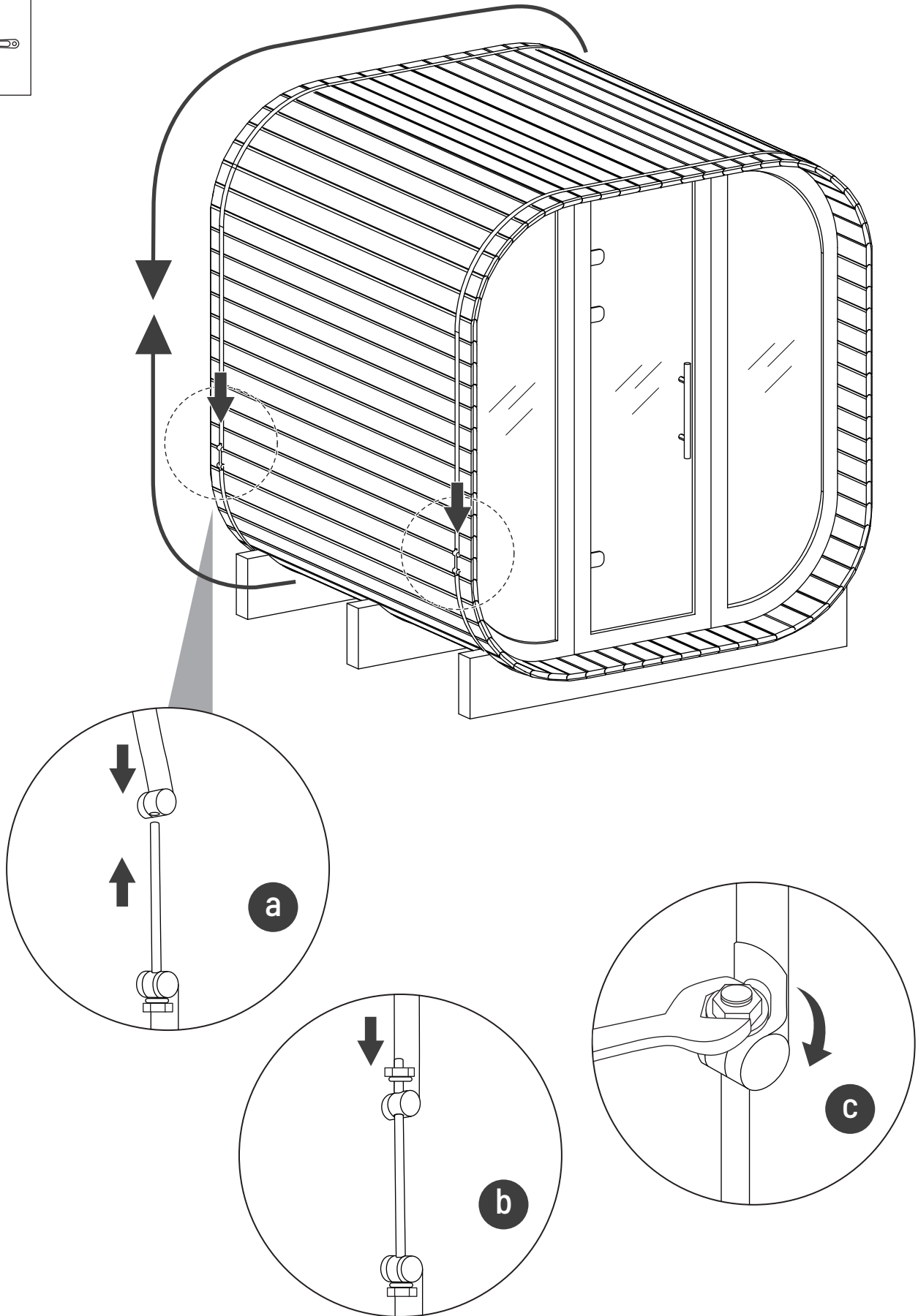
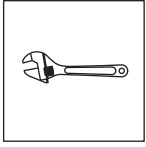
9 Splice the left wall planks from bottom to top (fix with a plastic hammer), and finally screw in the screws to fix **(lock every other plank)**.



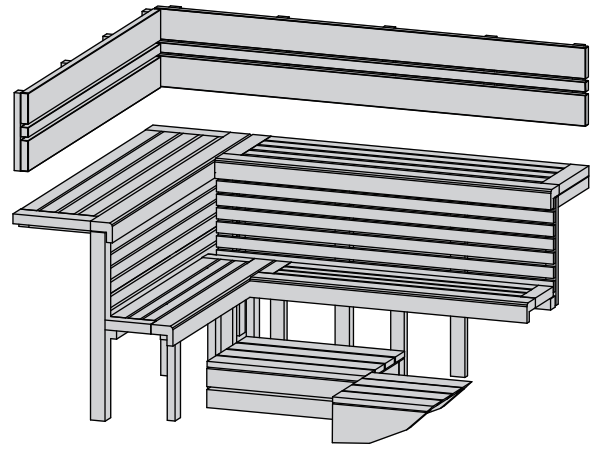
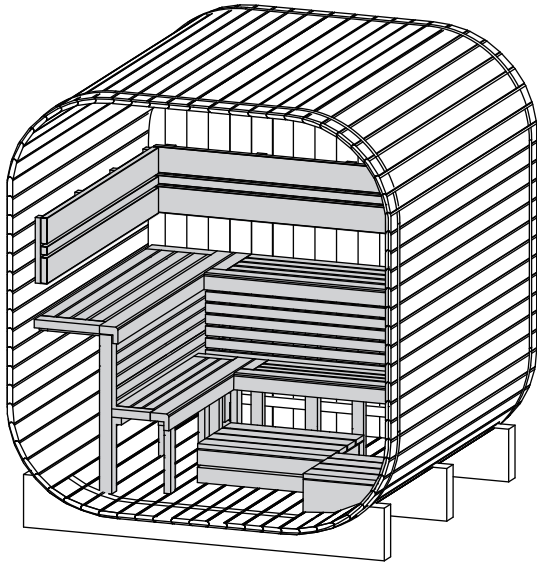
10 Splice the left wall planks from bottom to top (fix with a plastic hammer), and finally screw in the screws to fix **(lock every other plank)**.



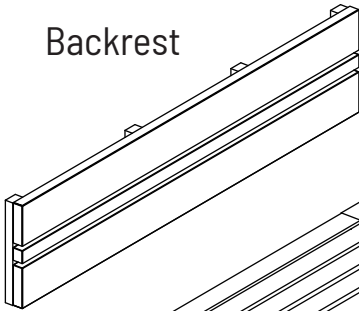
11 Steel bar assembly: Wrap the steel bar outside the room, fix the steel bar with a turnbuckle, and tighten the two screws with a wrench.



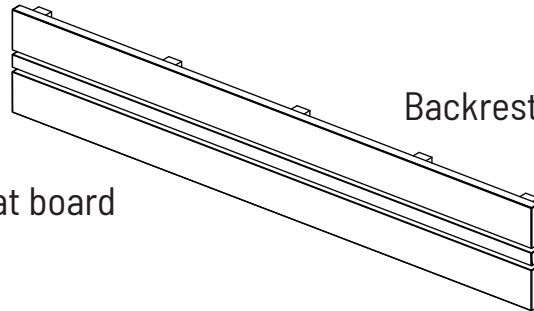
12 Bench assembly.



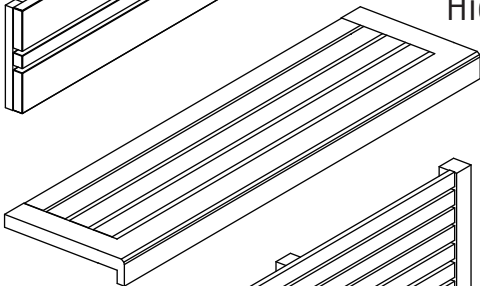
Backrest



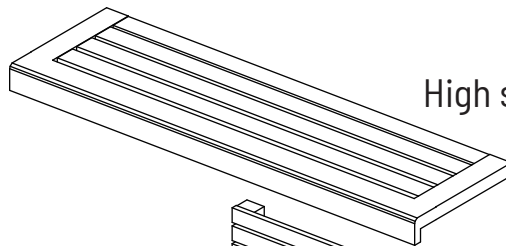
Backrest



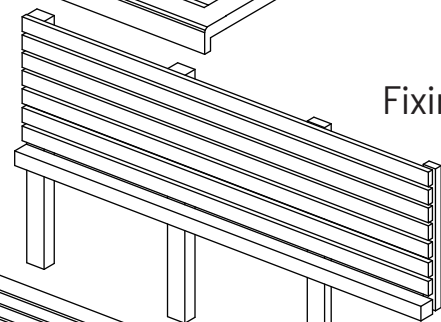
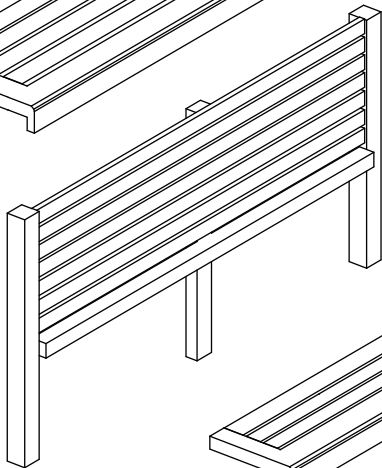
High seat board



High seat board

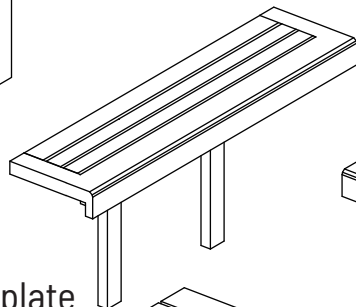


Fixing frame

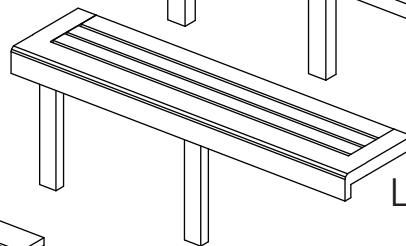


Fixing frame

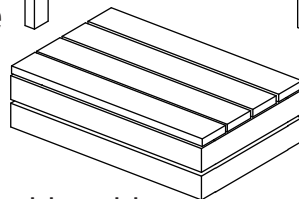
Low seat plate



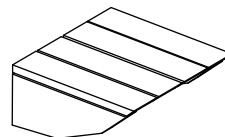
Low seat plate



Movable table

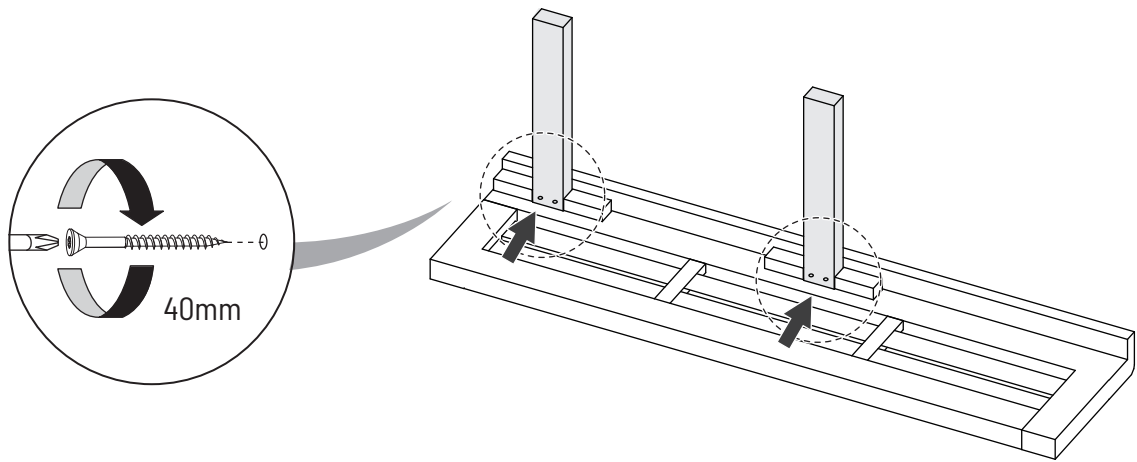
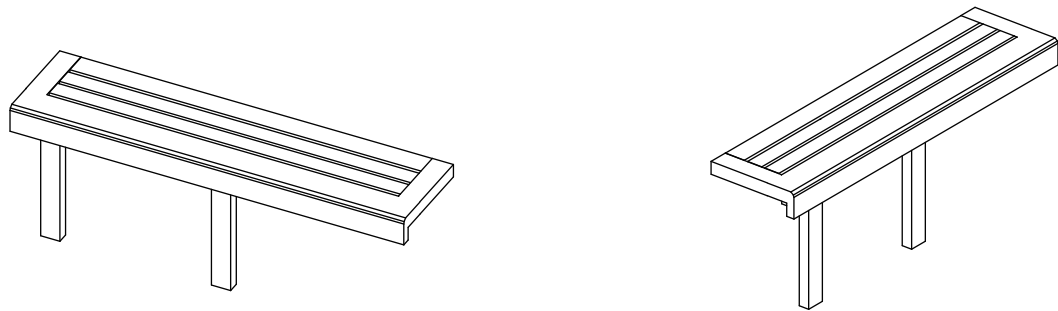
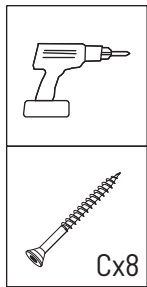


Electric furnace pad



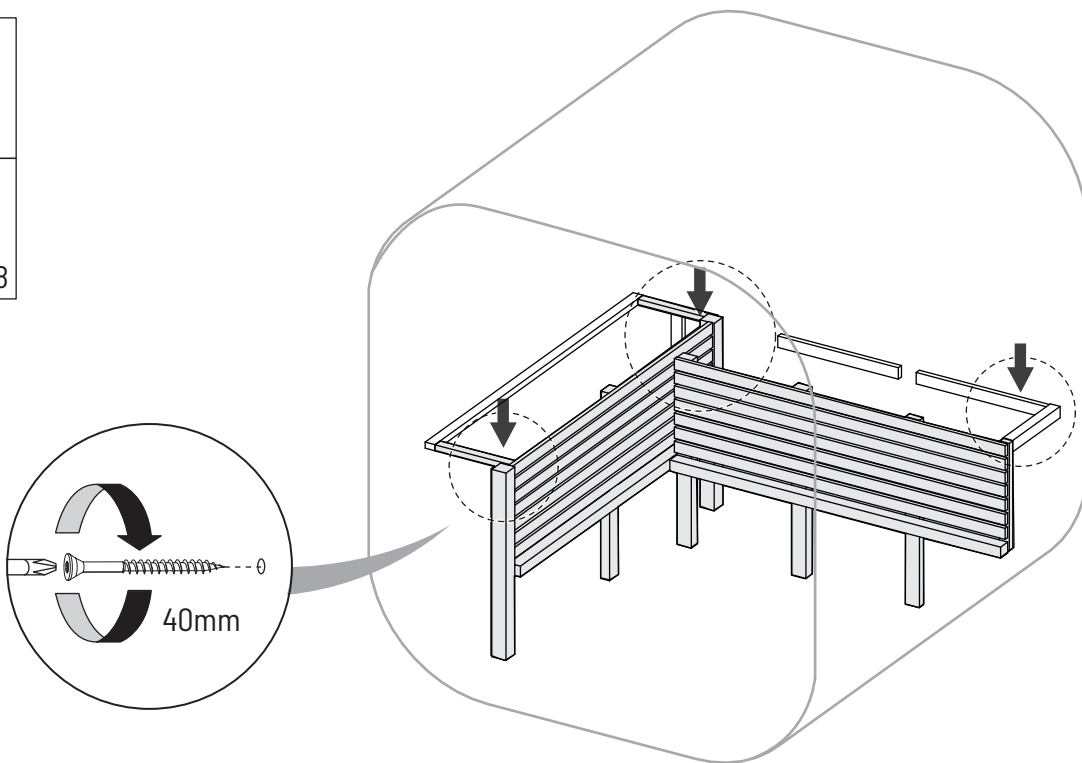
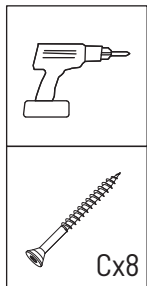
13

Install the tripod and screw in the screws to fix.



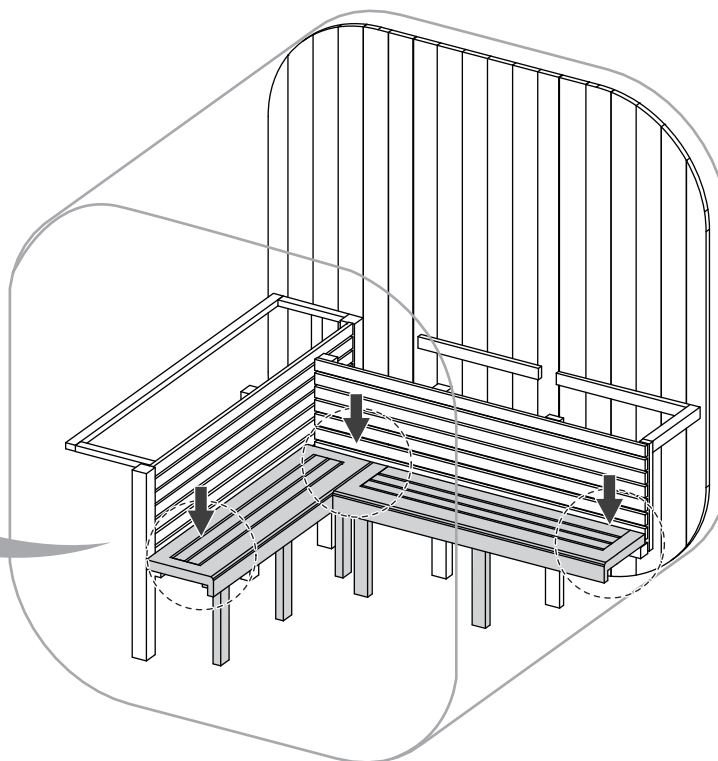
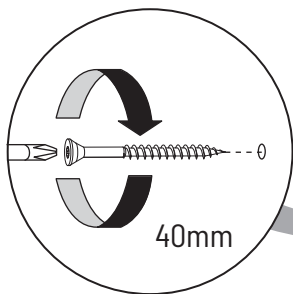
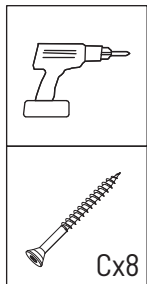
14

Install the fixing frame and screw in to fix.



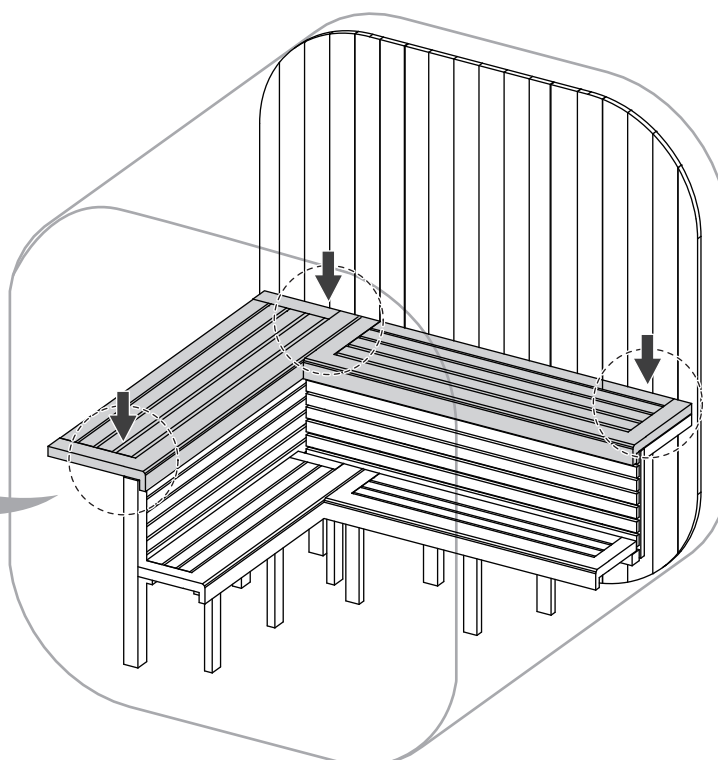
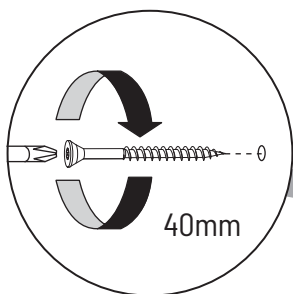
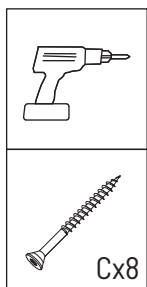
15

Install the seat board and screw in the screws to fix.



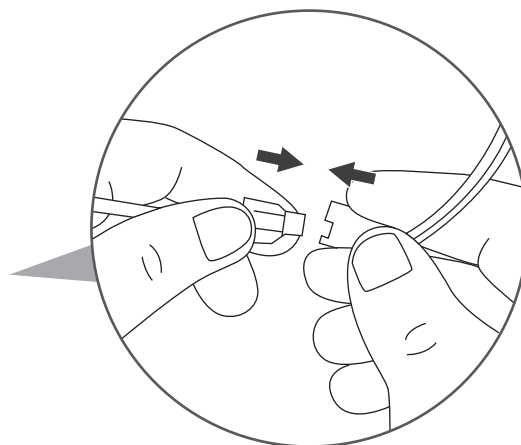
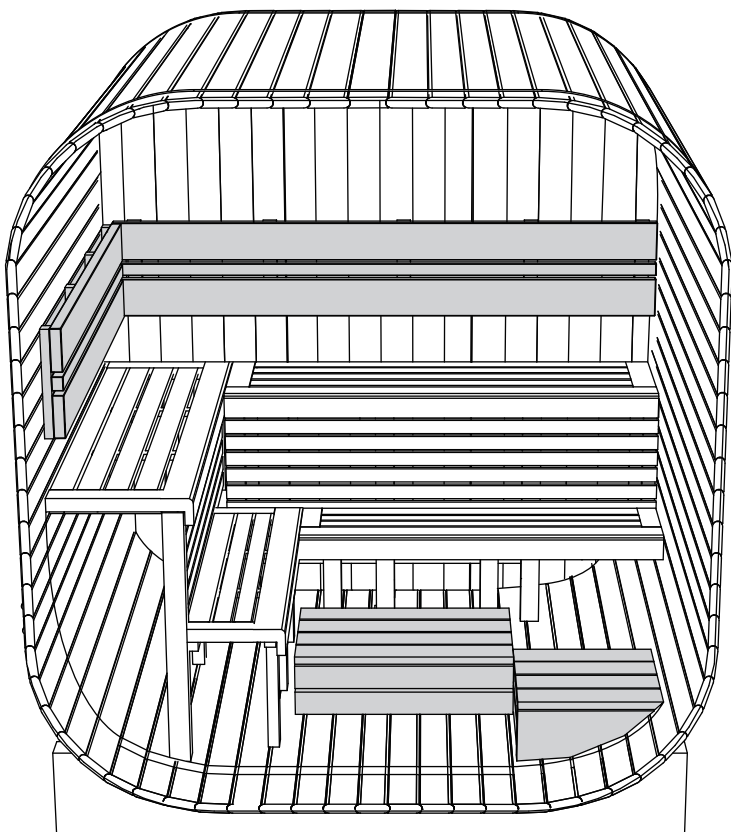
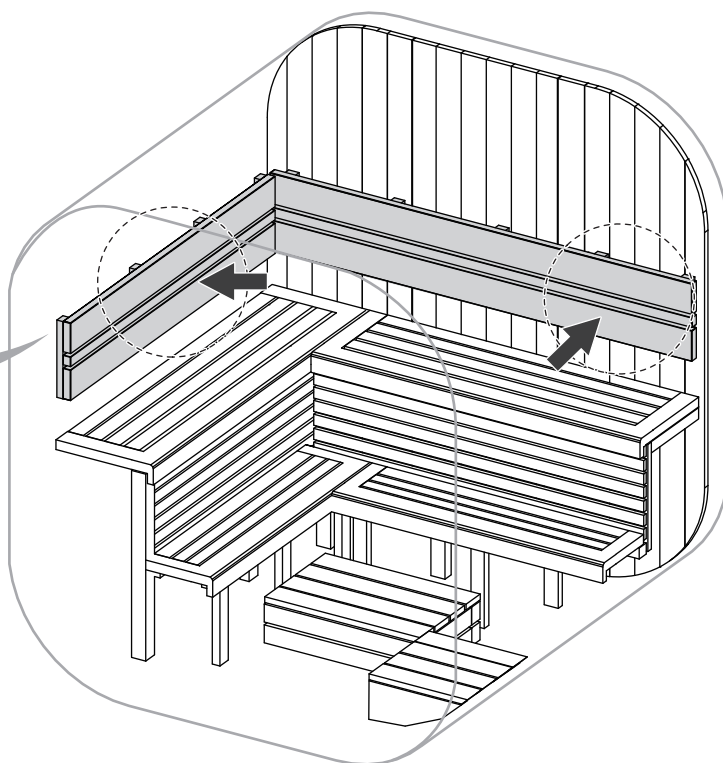
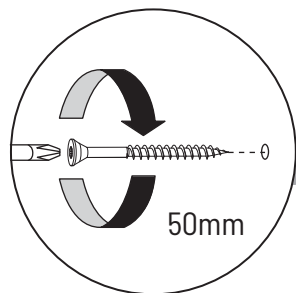
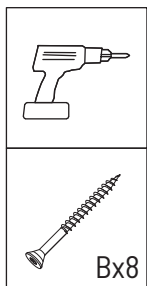
16

Install the high seat board and screw in the screws to fix.



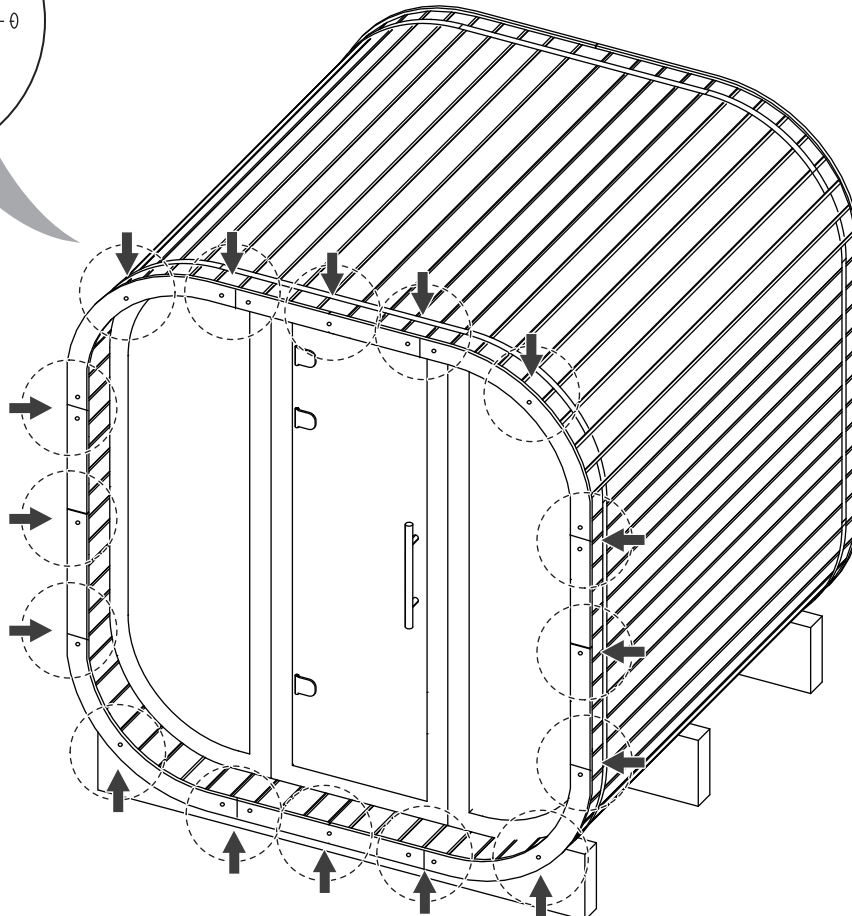
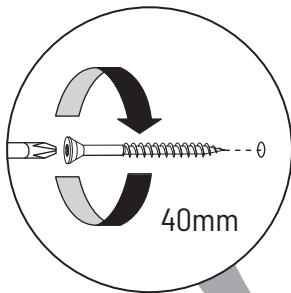
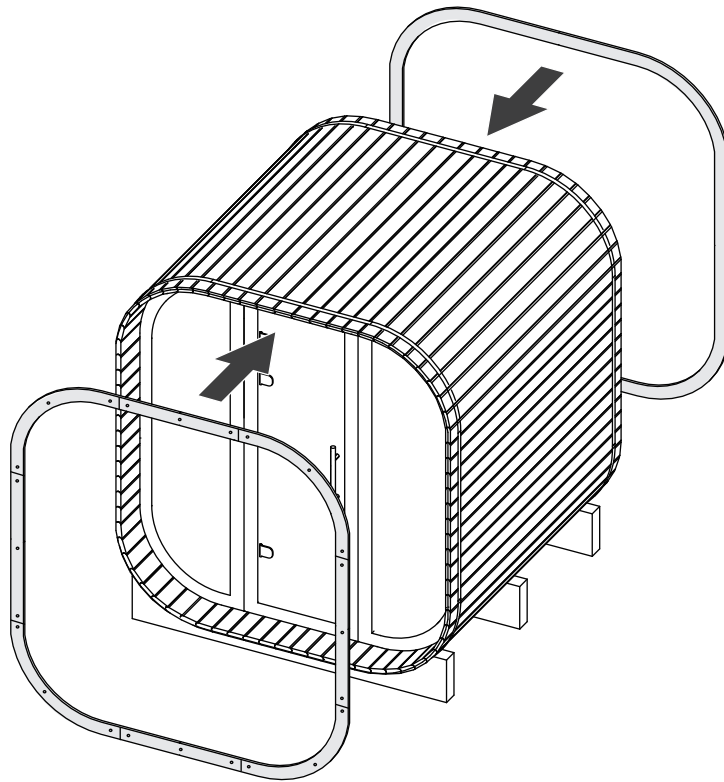
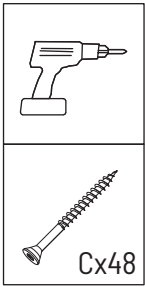
17

Install the backrest and screw in to fix. Put the movable table and the electric furnace pad in place.



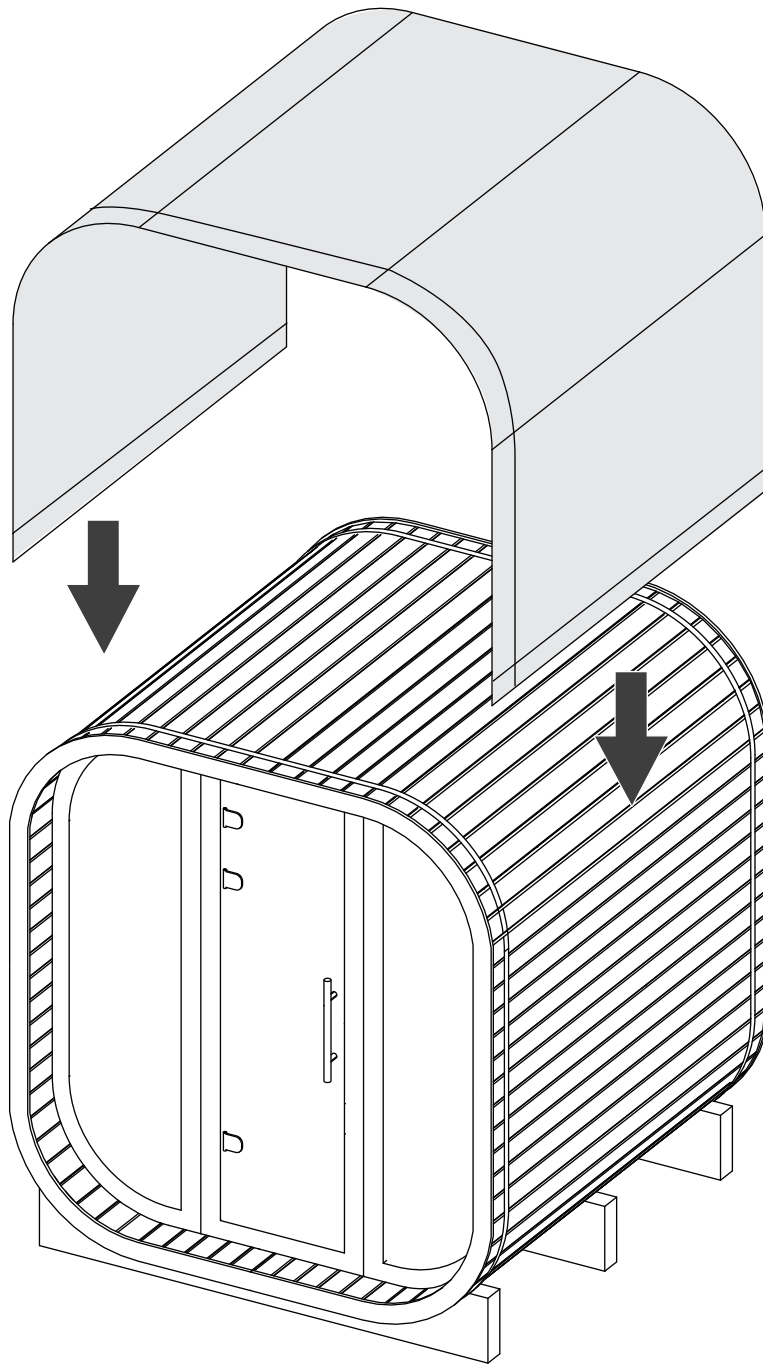
Connect the line.

18 Lintel assembly: Assemble the front and rear door lintels and screw in to fix them.

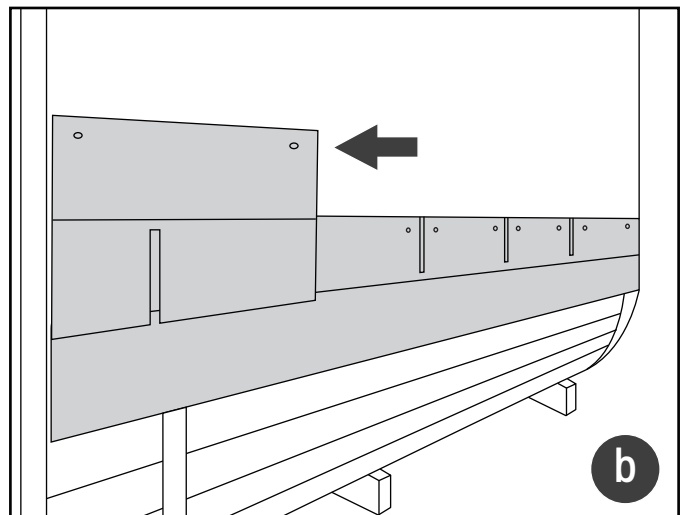
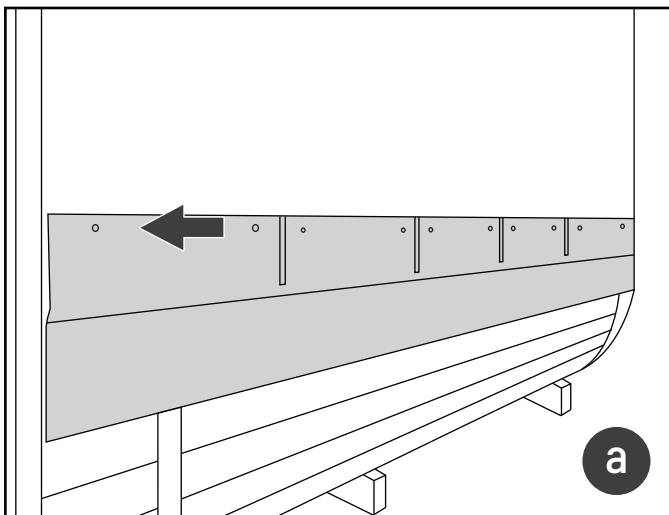
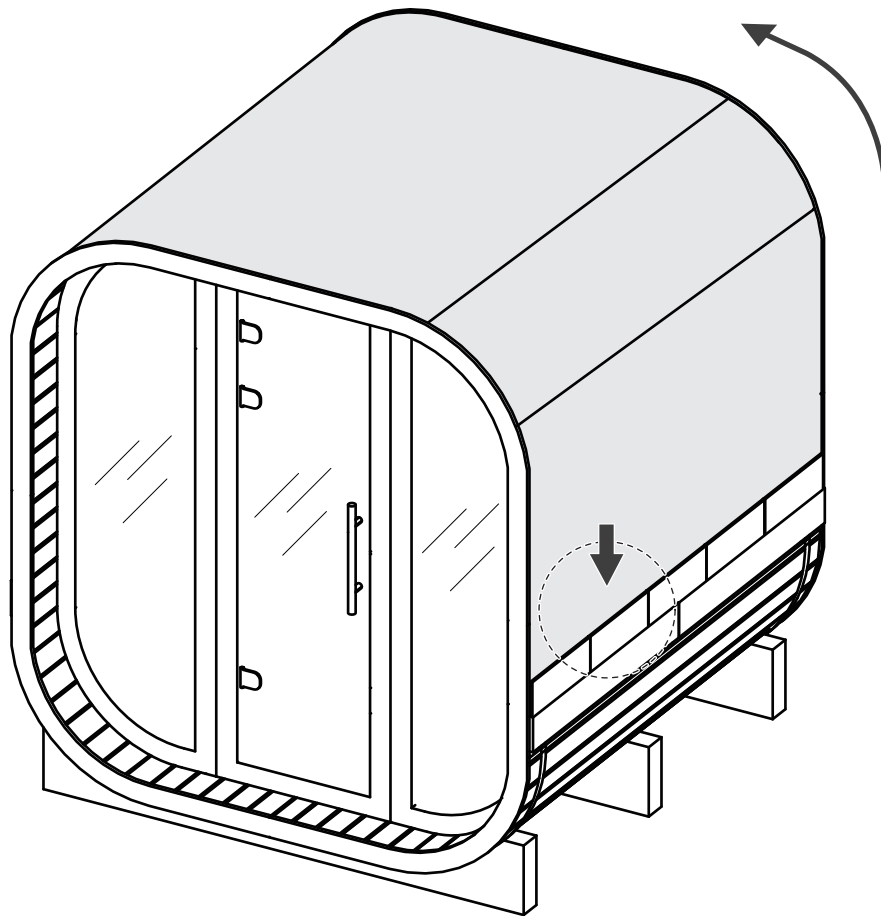
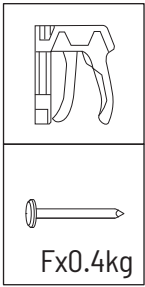


19

Waterproof membrane installation.

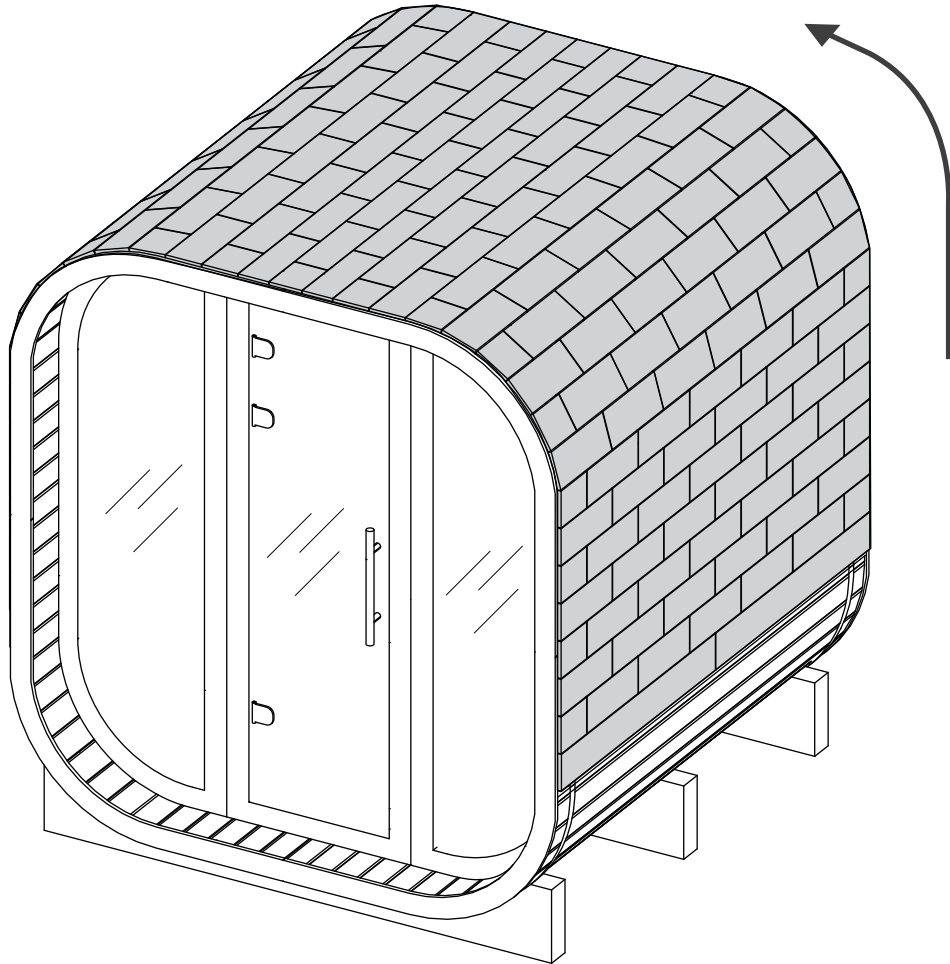
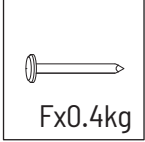
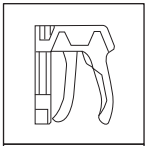


20 Lay from bottom to top and use a nail gun to nail.



21

Lay from bottom to top and use a nail gun to nail.



 Special statement:

All contents in this manual have been carefully checked. If there are any printing errors or misunderstandings in the content, the company reserves the right to interpret; if there is a product technology or software upgrade, it will be included in the new version of the manual without further notice; if there is any change in the appearance and color of the product, the actual product shall prevail.

Dear customer, thank you for your patronage! If you have any questions or concerns, please feel free to contact us.