

HAPPINESS HAPPINESS INSTALLATION



CAUTION

Parts are placed at the bottom of the product.

- If you have any questions with the product, please contact us by:
- **Email: customerservice@zoy-living.com**
(we will reply to you within 24 hours)

Assembly Instructions

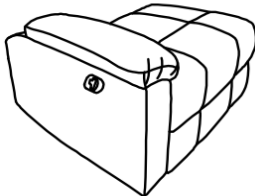
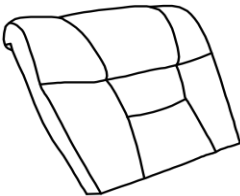

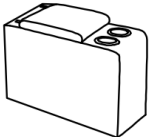
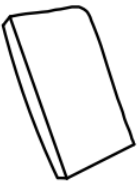
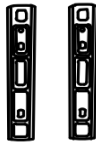

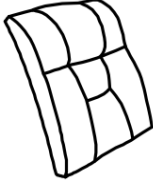

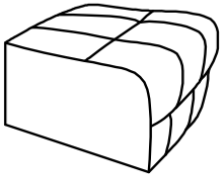
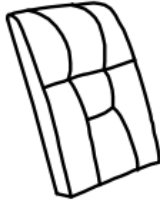
Model: RR0350B

CAUTION

DO NOT use any sharp objects to open plastic wrapped components as this may result damage to product or components .

Your recliner comes packaged in **Three** boxes. Carefully remove all of components from the packaging and setaside for assembly.

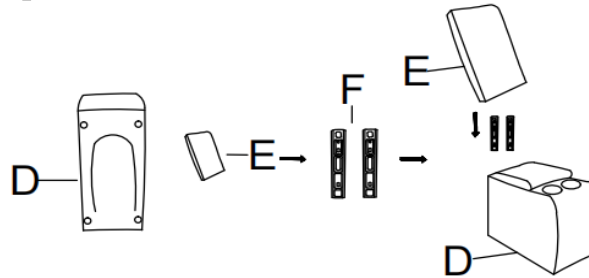
Package Contents

BOX 1 RR0350BF51L				
	A*1 Left Sofa Seat	B*1 Left Sofa Back	C*1 Left Sofa Ear	
BOX 2 RC0350BF61N This box is only available for Loveseat Sofa.				
	D*1 Storage Base	E*1 Storage Back	F*1 A pair of Latch	
BOX 3 RR0350BF51R				
	G*1 Right Sofa Seat	H*1 Right Sofa Back	I*1 Right Sofa Ear	
BOX 4 RS0350BF61N This box is only available for 3-seat Sofa.				
	J*1 Middle Sofa Seat	K*1 Middle Sofa Back		

1 RECLINER ASSEMBLY - BODY SETUP

Please make sure all the components are arranged for assembly.

The Storage Back(E) is placed in the Storage Base(D).



Note: The 2 latches(F) should be inserted into Storage Base (D) before installation.

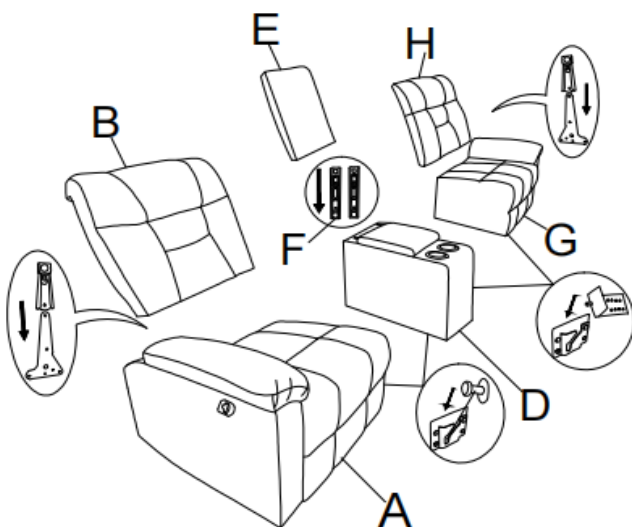
Step 1

Attach all Backs(B, H, K or E) to Seat Bases(A, G, J or D) by aligning the metal grooves on Seat Bases(A, G, J or D) and Backs(B, H, K or E). Ensure the Backs(B, H, K or E) slides down to the bottom of the Seat Bases(A, G, J or D) metal grooves.

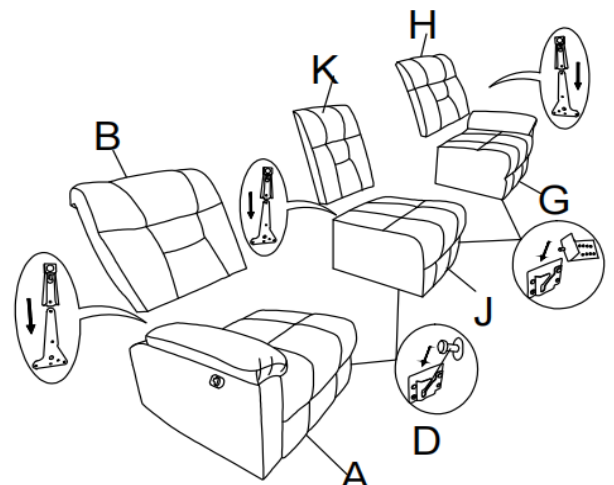
Step 2

Attach Left Seat(A), Right Seat(G), Storage Base(D) or Middle Sofa Seat(J) to each other by aligning the metal grooves on sofa seat as shown in the picture. Make sure they are firmly connected.

Loveseat Sofa



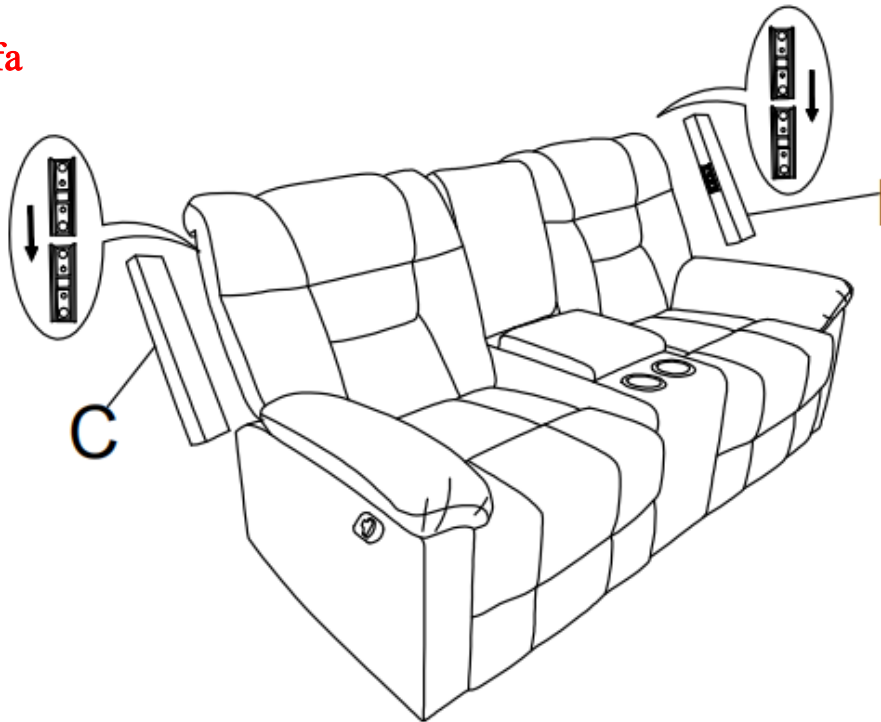
3-Seat Sofa



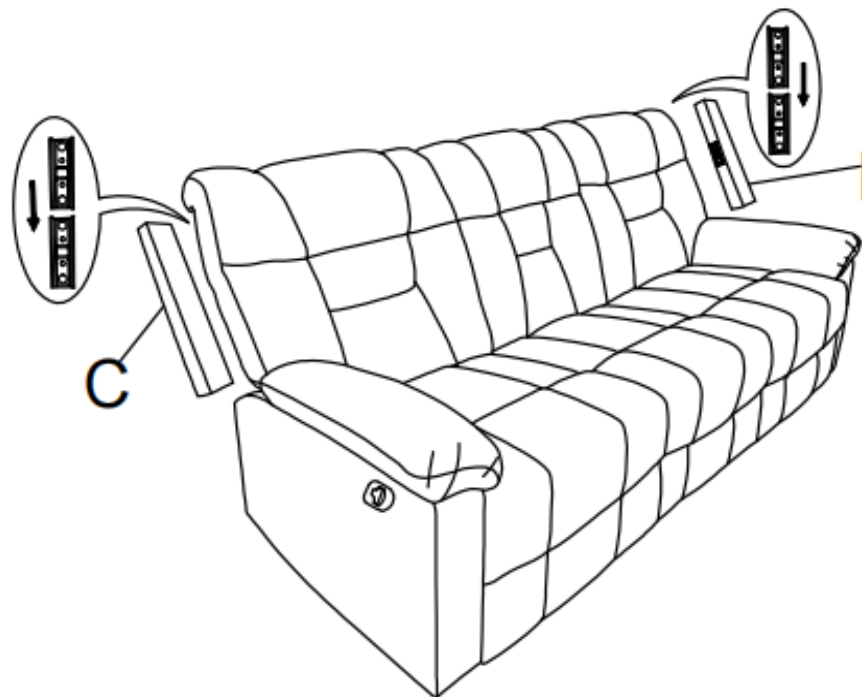
2 RECLINER ASSEMBLY - BODY SETUP

Step 3 Attach Left Sofa Ear(C) and Right Sofa Ear(I) to Left Sofa Backrest(B) and Right Sofa Backrest(H) by aligning the metal grooves on Backrests' Borders.

Loveseat Sofa

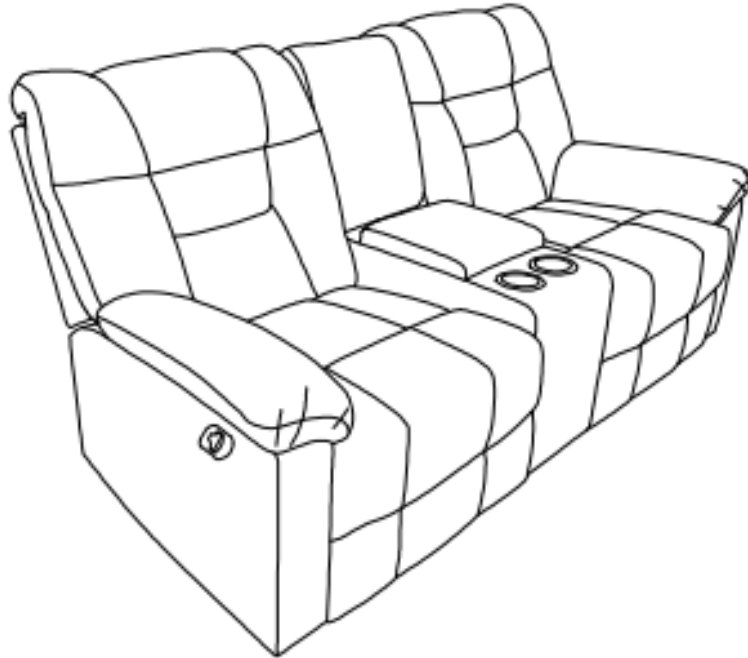


3-Seat Sofa

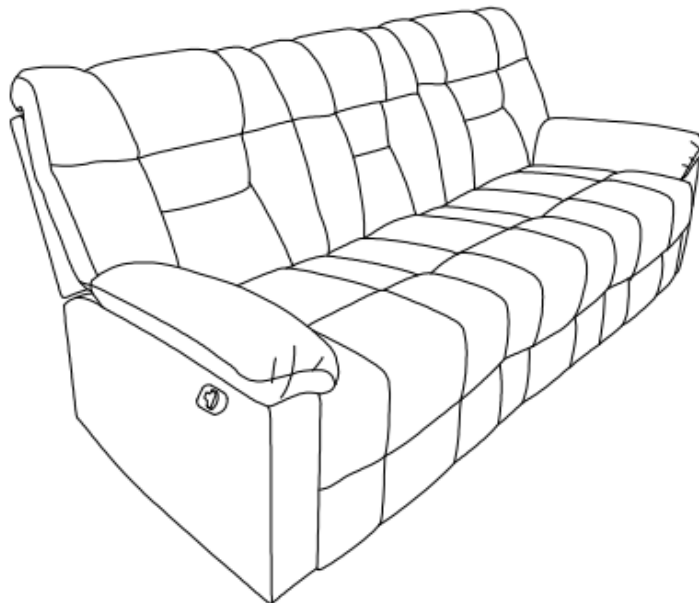


2 RECLINER ASSEMBLY - FULFILLED

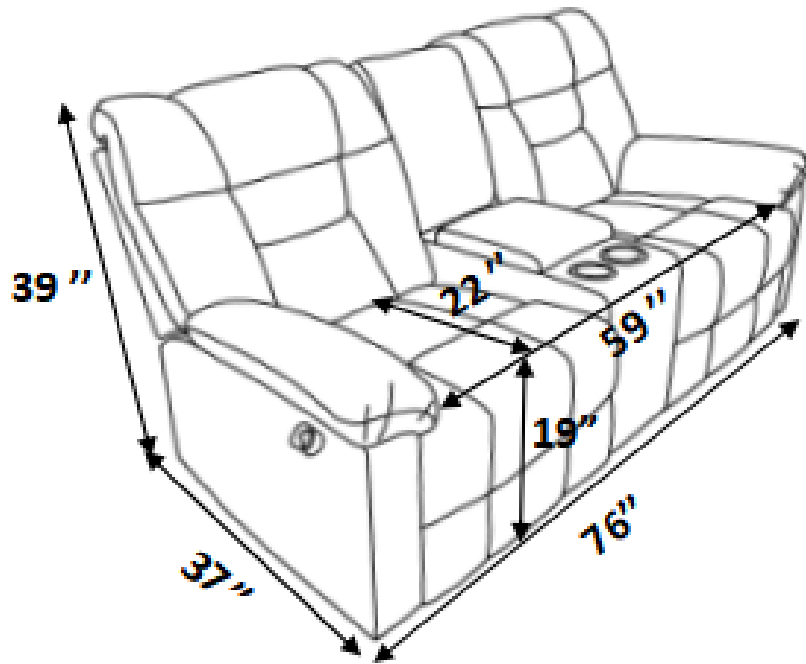
Loveseat Sofa



3-Seat Sofa

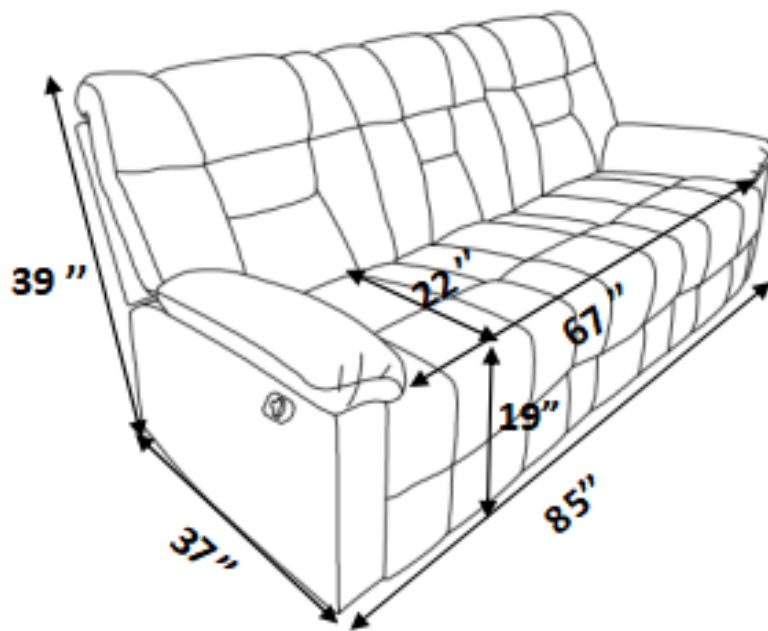


3 INSTRUCTIONS FOR USE - SIZE DIMENSIONS



Loveseat Sofa

RR0350BF51L+RC0350BF61N+RR0350BF51R



3-Seat Sofa

RR0350BF51L+RS0350BF61N+RR0350BF51R

⚠️ WARNINGS

1. Please check if the components of the chair are all included and can be used normally.
2. Assemble all components according to the instruction correctly before you sit in the sofa.
3. Please DO NOT sit on the armrests or footrest to eliminate the risk of tipping over.
4. If the sofa is damaged or doesn't match the website description, please send clear pictures of the product and label of the carton to our service team for further help.
5. If the recliner doesn't work, you may try the following measures for self-checking firstly:
 - a) check if all the components are firmly connected;
 - b) check if the slides of the sofa are inserted correctly and firmly.

If the recliner still doesn't work please feed the information back to our customer service in time and we will help you solve the matter as soon as possible.

6. If you have any questions about our products, please contact us by:

Email: customerservice@zoy-living.com (we will respond to your inquiry within 24 hours)

