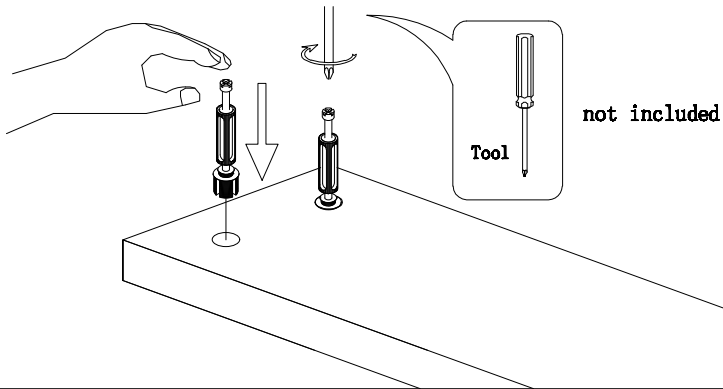




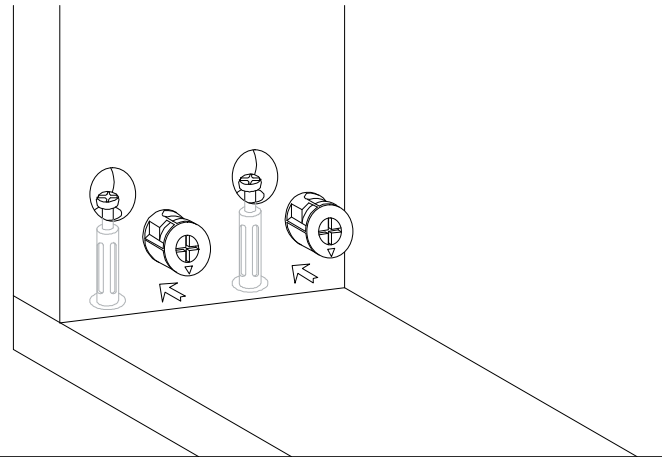
Hardware installation demonstration

NOTE: Please make sure "A" hardware tightened and can't be pulled out!

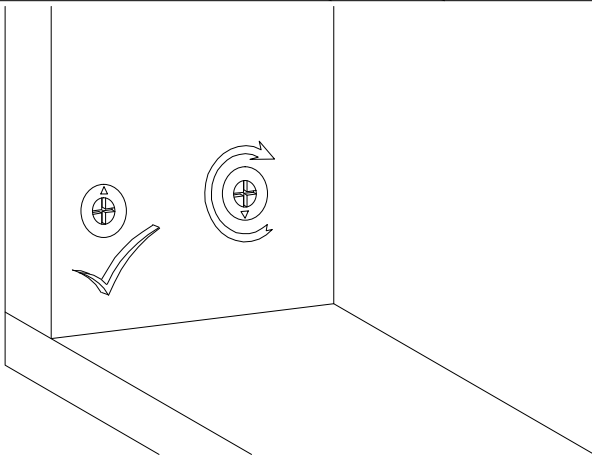
I



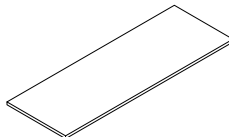
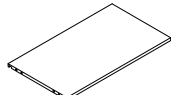
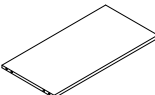
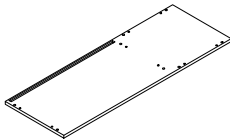
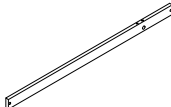
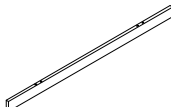





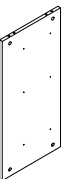
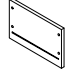
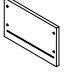


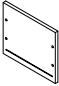
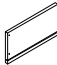
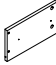
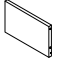
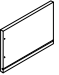
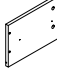
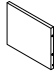
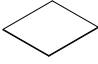
II



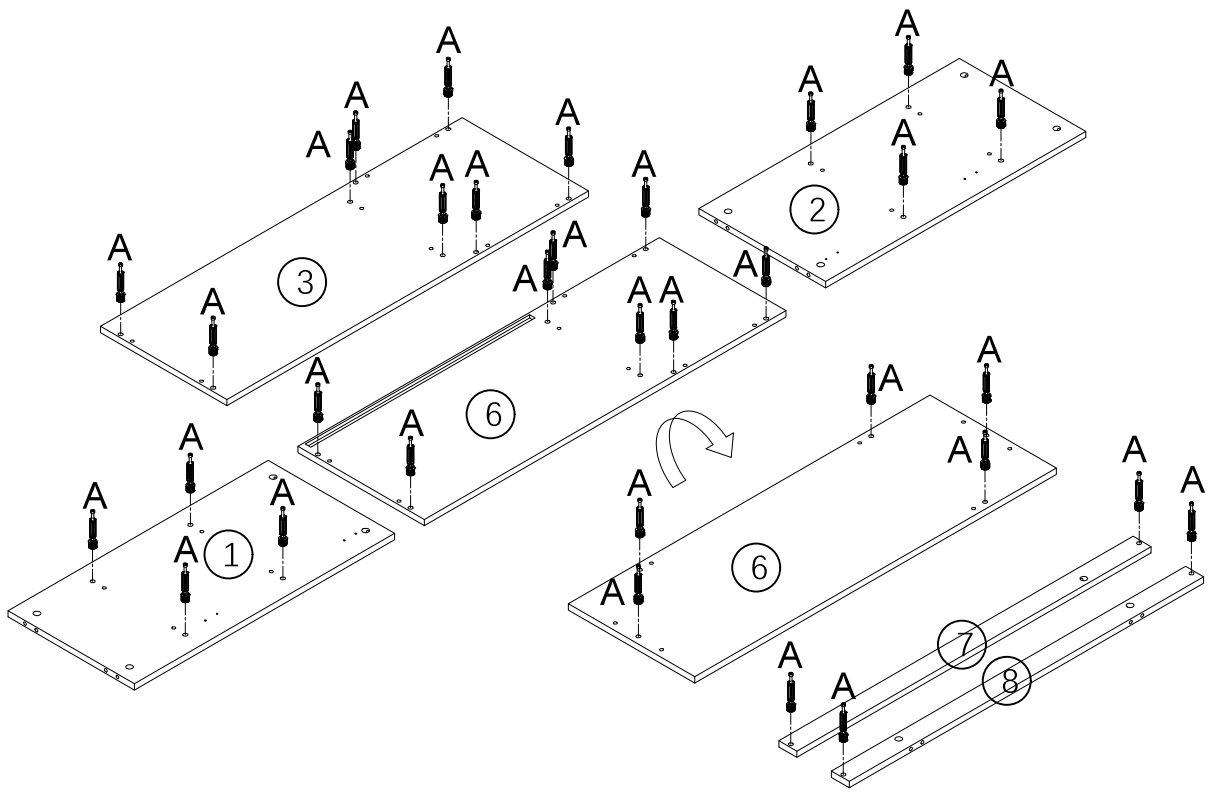
III



<p>1</p>  <p>720*350mm</p> <p>28.3*13.8 inch</p> <p>1pc</p>	<p>2</p>  <p>720*350mm</p> <p>28.3*13.8 inch</p> <p>1pc</p>	<p>3</p>  <p>1000*350mm</p> <p>39.4*13.8 inch</p> <p>1pc</p>	<p>4</p>  <p>620*350mm</p> <p>24.4*13.8 inch</p> <p>1pc</p>
<p>5</p>  <p>620*312mm</p> <p>24.4*12.3 inch</p> <p>1pc</p>	<p>6</p>  <p>1000*350mm</p> <p>39.4*13.8 inch</p> <p>1pc</p>	<p>7</p>  <p>980*50mm</p> <p>38.6*2 inch</p> <p>1pc</p>	<p>8</p>  <p>980*50mm</p> <p>38.6*2 inch</p> <p>1pc</p>
<p>9</p>  <p>300*50mm</p> <p>11.8*2 inch</p> <p>2pcs</p>	<p>10</p>  <p>537*315.5mm</p> <p>21.1*12.4 inch</p> <p>2pcs</p>	<p>11</p>  <p>519*305.5mm</p> <p>20.4*12 inch</p> <p>1pc</p>	<p>12</p>  <p>519*305.5mm</p> <p>20.4*12 inch</p> <p>1pc</p>
<p>13</p>  <p>720*349mm</p> <p>28.3*13.7 inch</p> <p>1pc</p>	<p>14</p>  <p>720*349mm</p> <p>28.3*13.7 inch</p> <p>1pc</p>	<p>15</p>  <p>312*200mm</p> <p>12.3*7.9 inch</p> <p>1pc</p>	<p>16</p>  <p>312*200mm</p> <p>12.3*7.9 inch</p> <p>1pc</p>

<p>17</p> <p>312*264mm</p>  <p>12.3*10.4 inch</p> <p>1pc</p>	<p>18</p> <p>300*160mm</p>  <p>11.8*6.3 inch</p> <p>2pcs</p>	<p>19</p> <p>300*160mm</p>  <p>11.8*6.3 inch</p> <p>2pcs</p>	<p>20</p> <p>263*160mm</p>  <p>10.4*6.3 inch</p> <p>2pcs</p>
<p>21</p> <p>300*215mm</p>  <p>11.8*8.5 inch</p> <p>1pc</p>	<p>22</p> <p>300*215mm</p>  <p>11.8*8.5 inch</p> <p>1pc</p>	<p>23</p> <p>263*215mm</p>  <p>10.4*8.5 inch</p> <p>1pc</p>	<p>24</p> <p>295*273mm</p>  <p>11.6*10.7 inch</p> <p>3pcs</p>

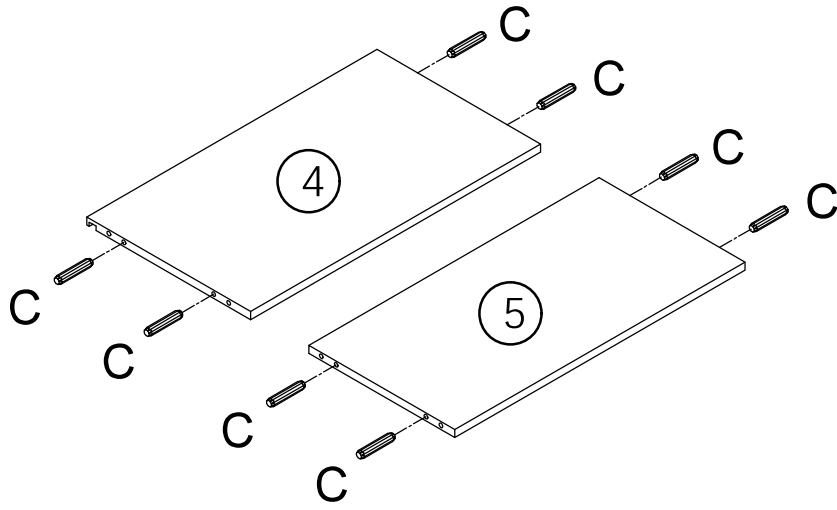
1



Put A on board (1) (2) (3) (6) (7) (8)

A*33

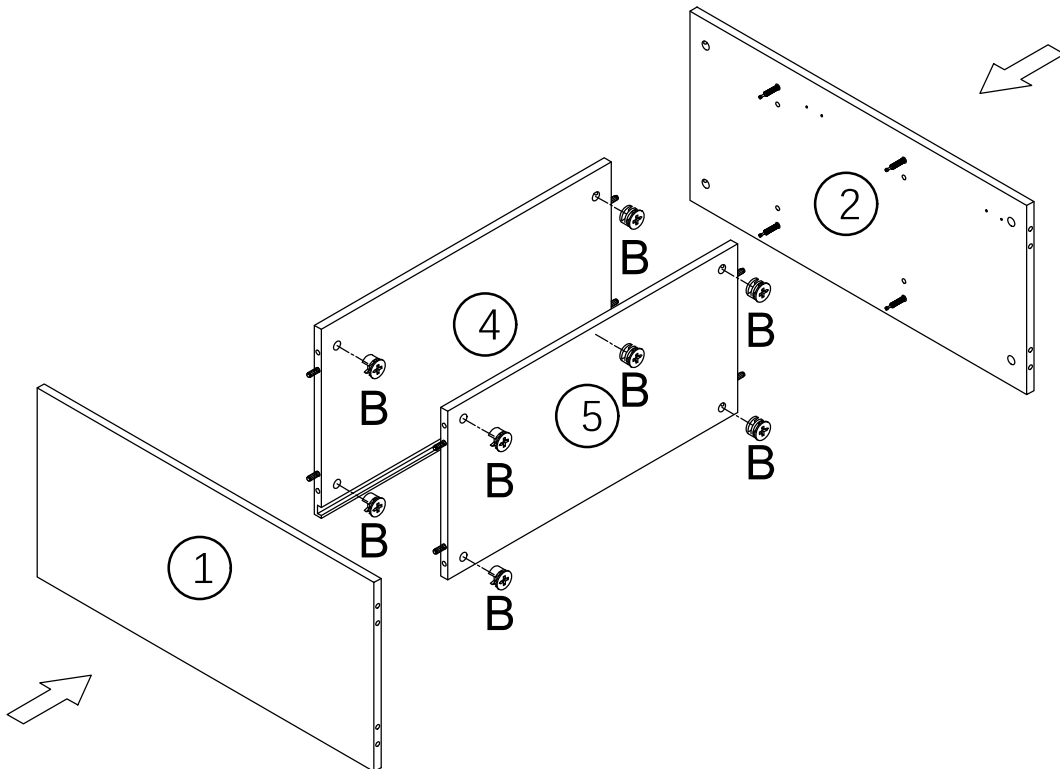
2



Put C on board ④ ⑤

C*8

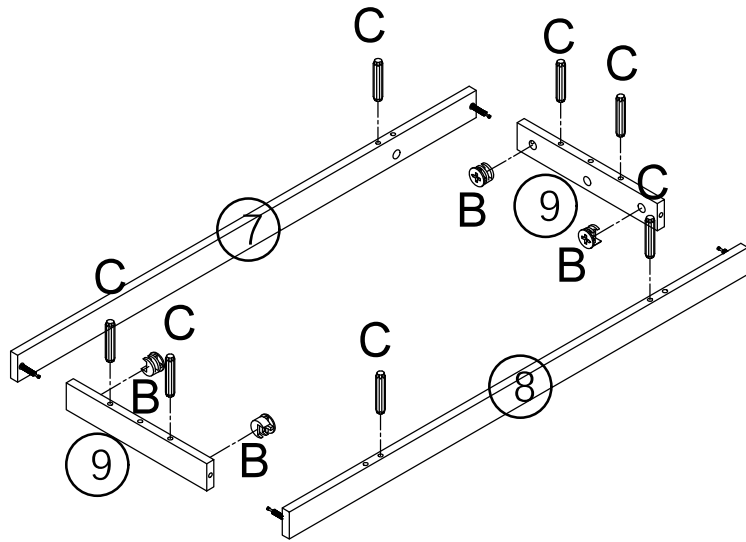
3



Put B on board ④ ⑤

B*8

4

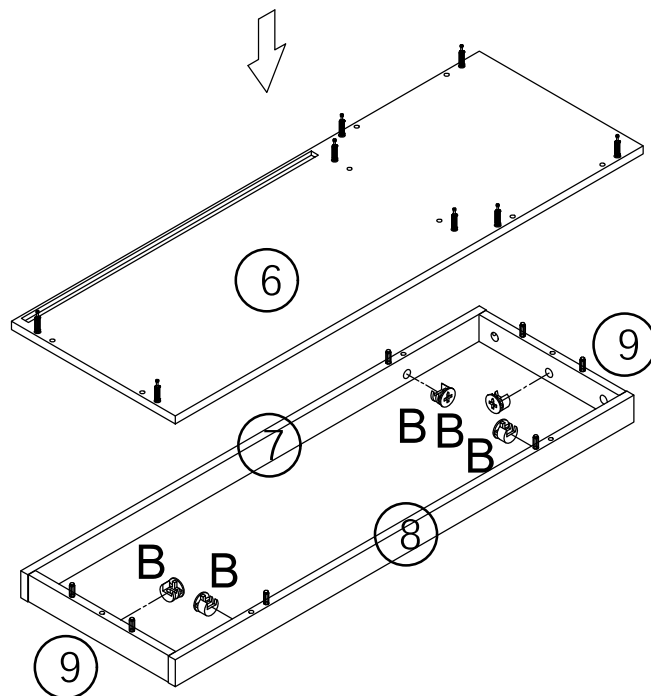


Put B on board (9)

Put C on board (8) (9)

B*4 C*7

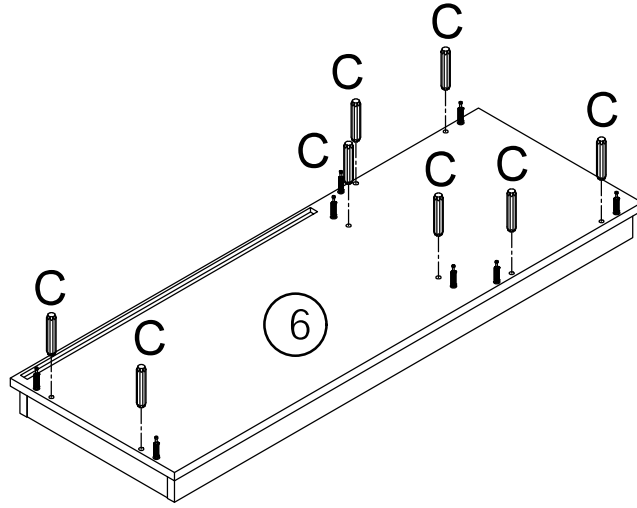
5



Put B on board (7) (8) (9)

B*5

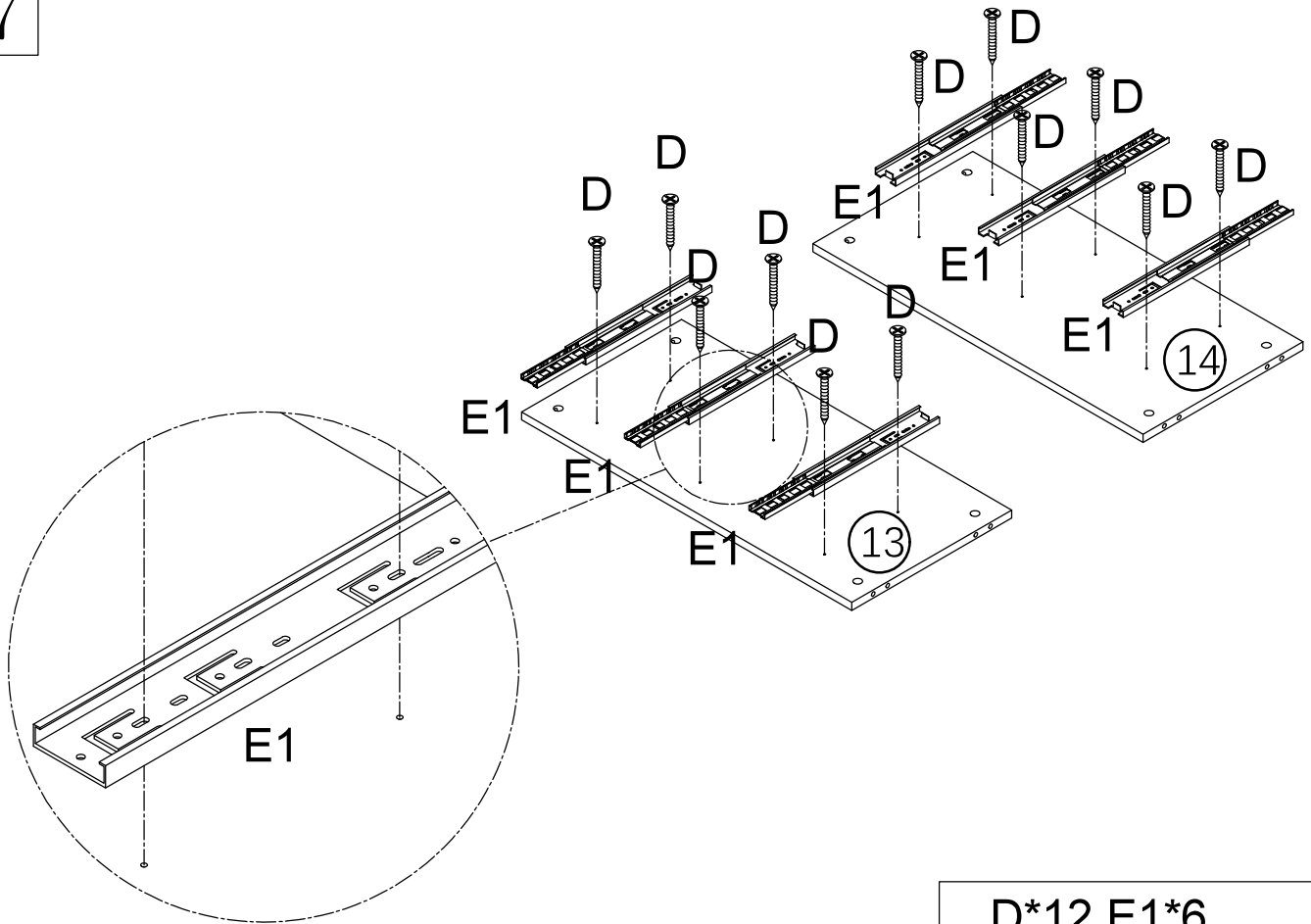
6



Put C on board (6)

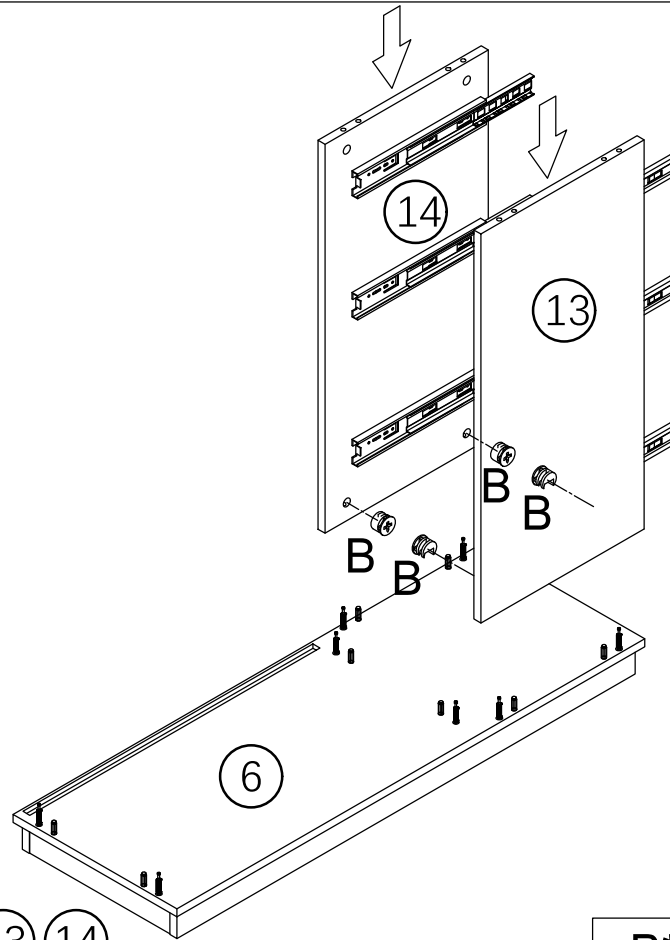
C*8

7



D*12 E1*6

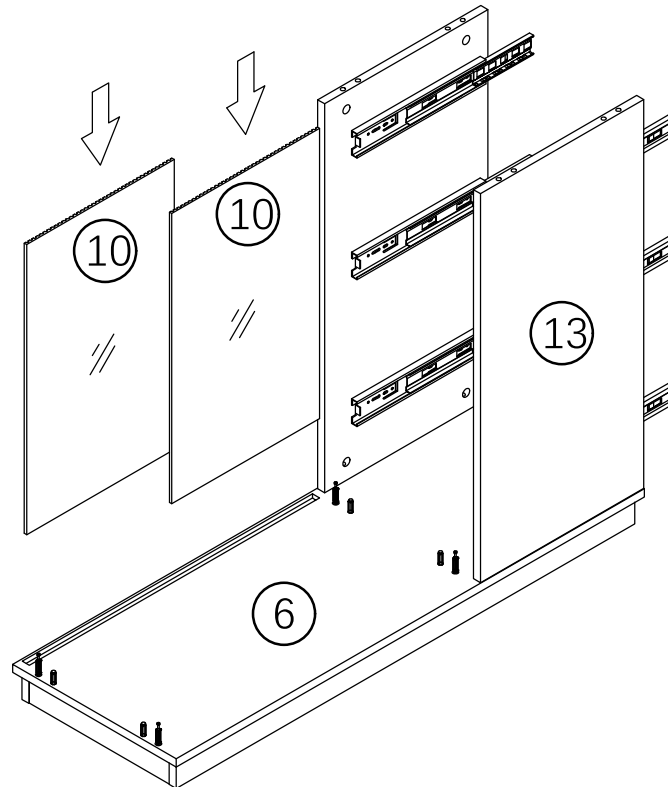
8



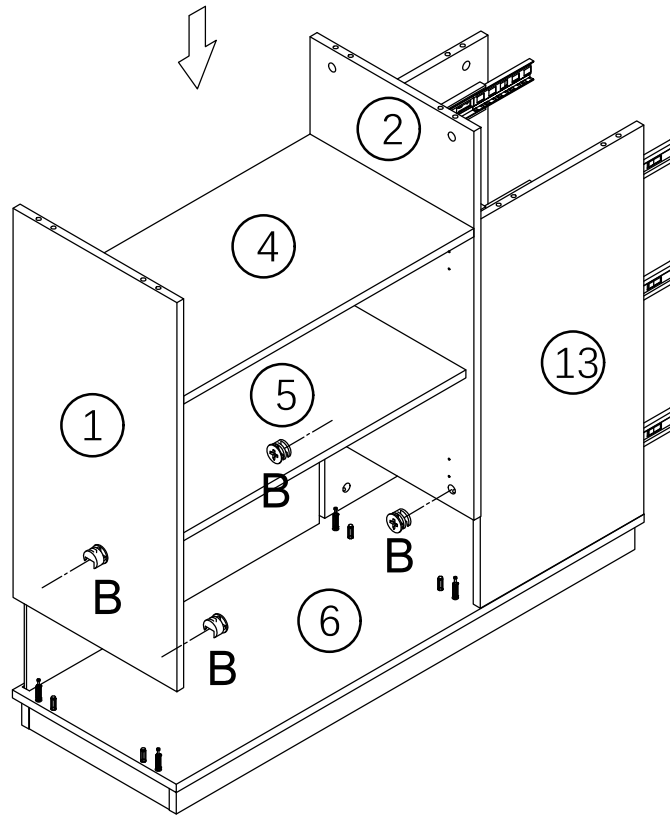
Put B on board (13) (14)

B*4

9

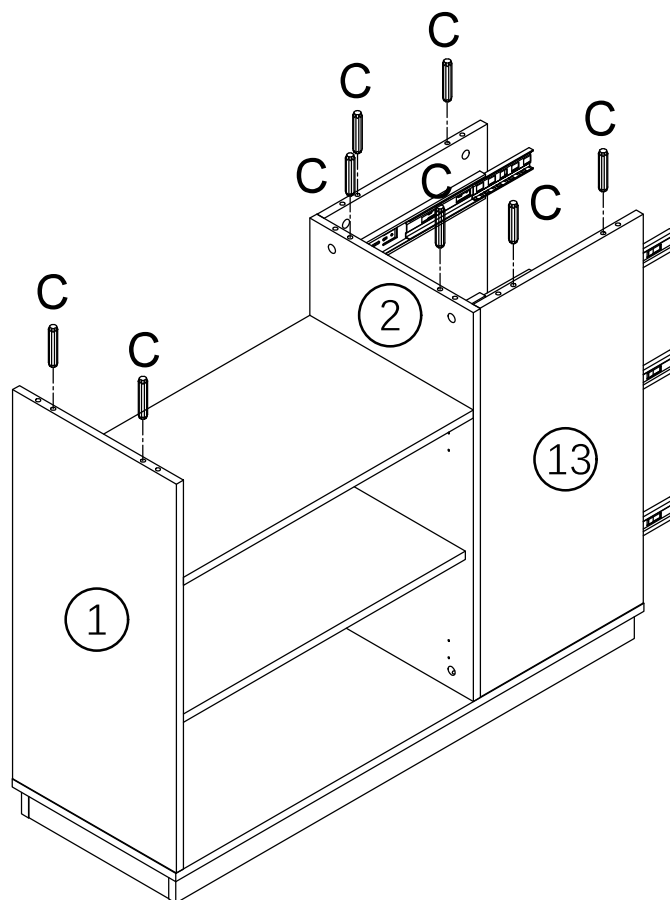


10



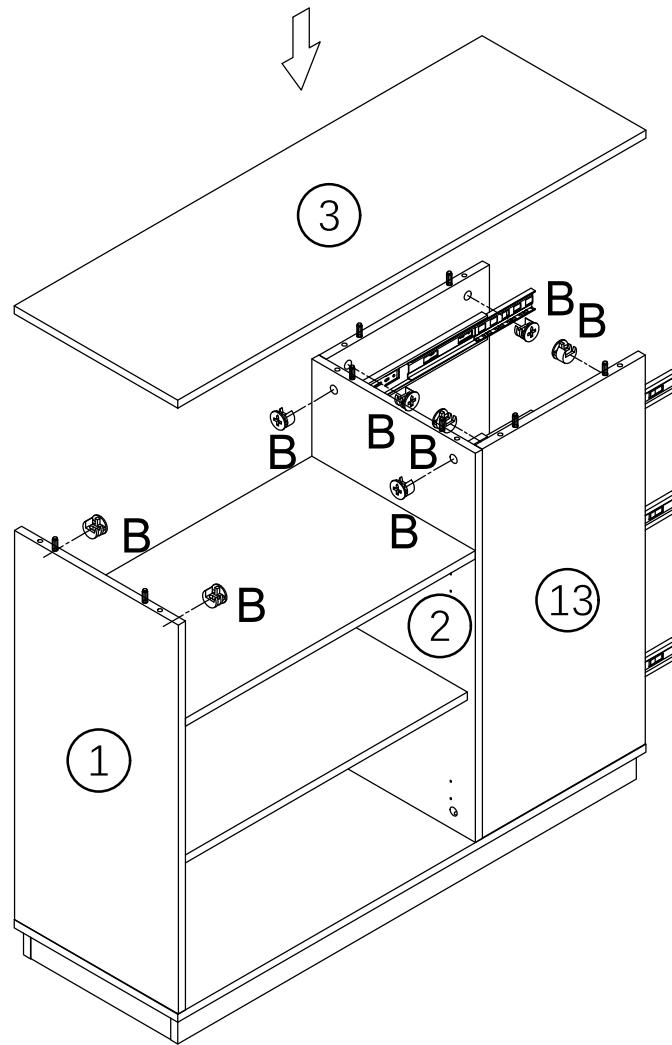
Put B on board (1) (2)

B*4



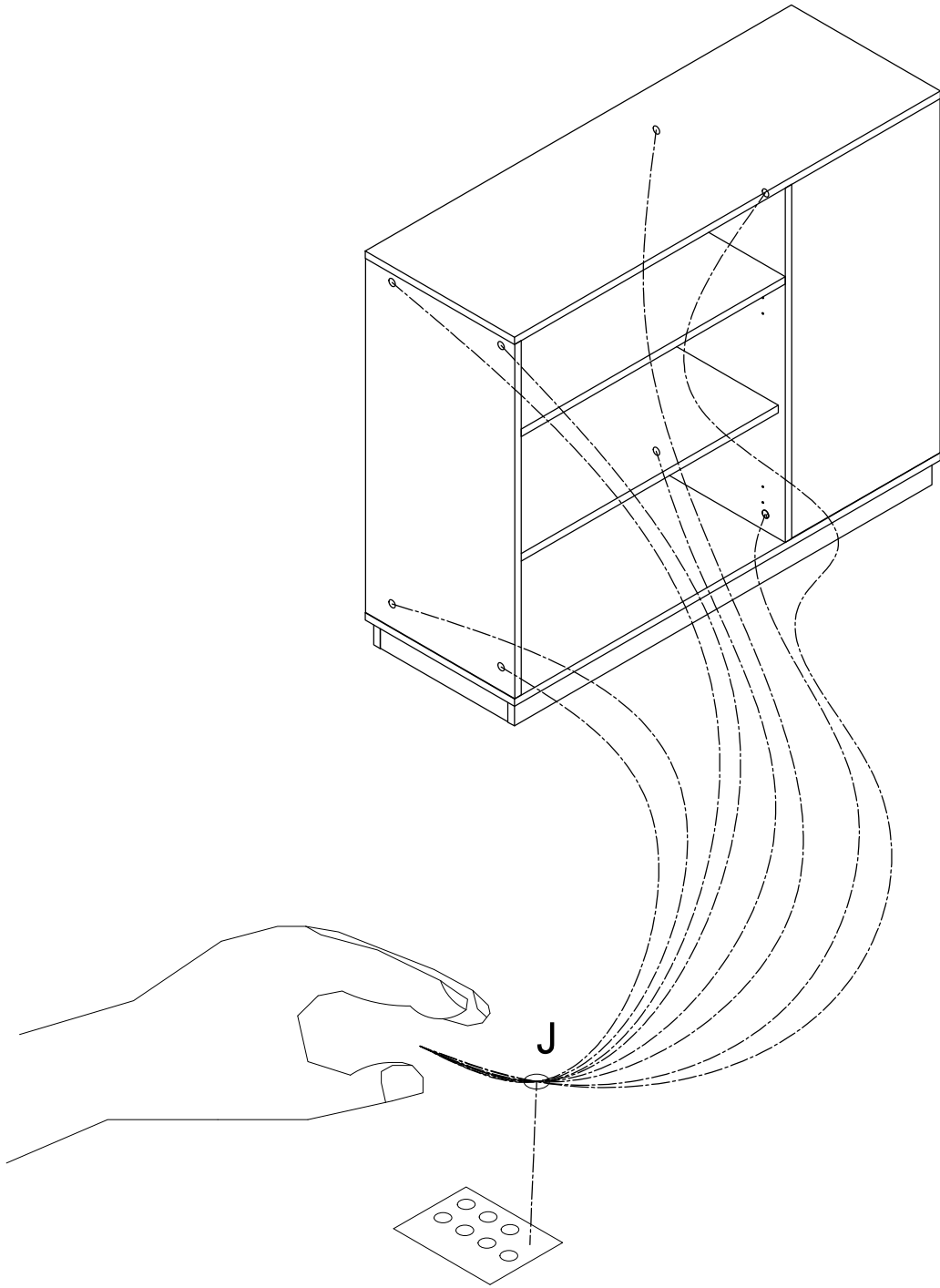
Put C on board ① ② ⑬ ⑭

C*8

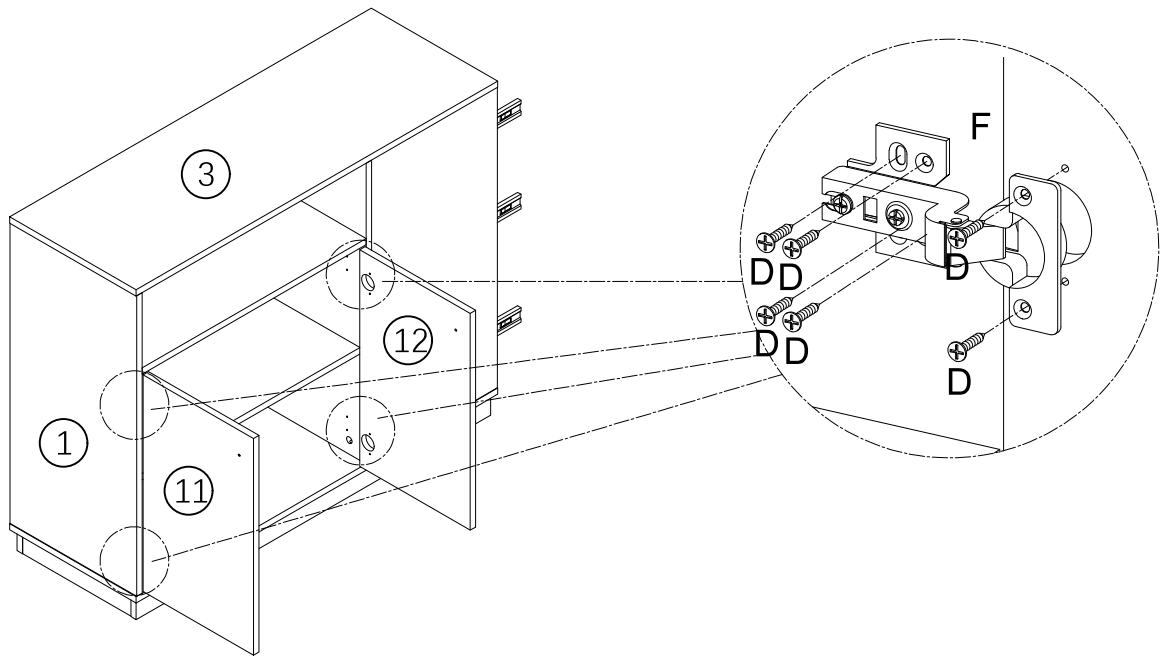


Put B on board (1) (2) (13) (14)

B*8

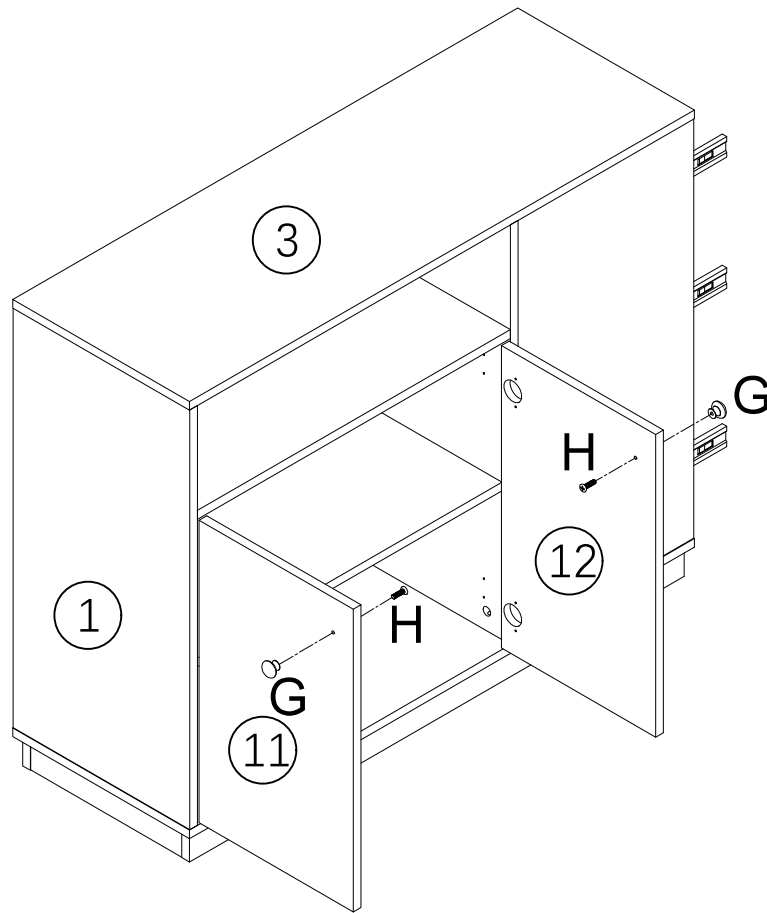


14



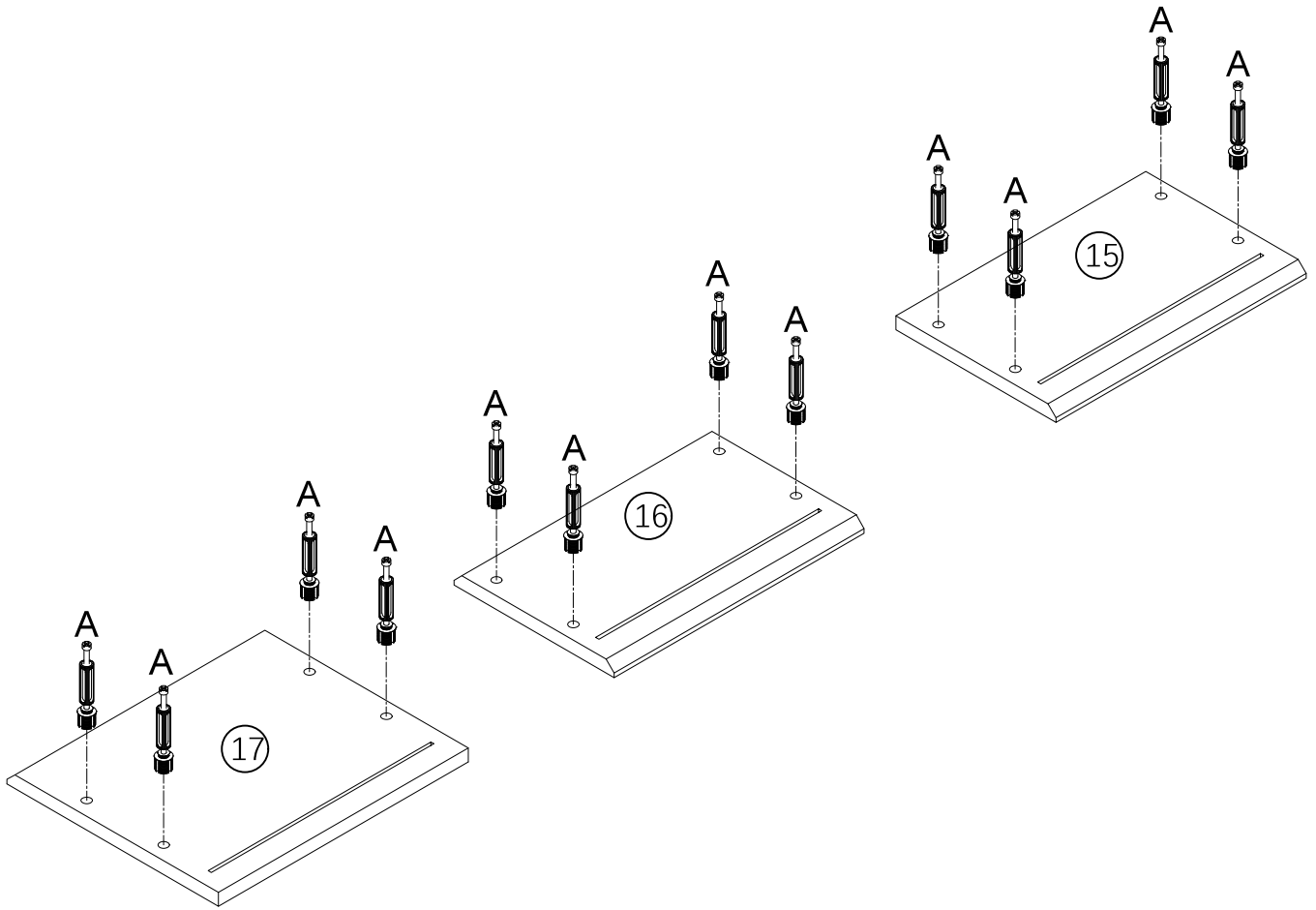
D*24 F*4

15



G*2 H*2

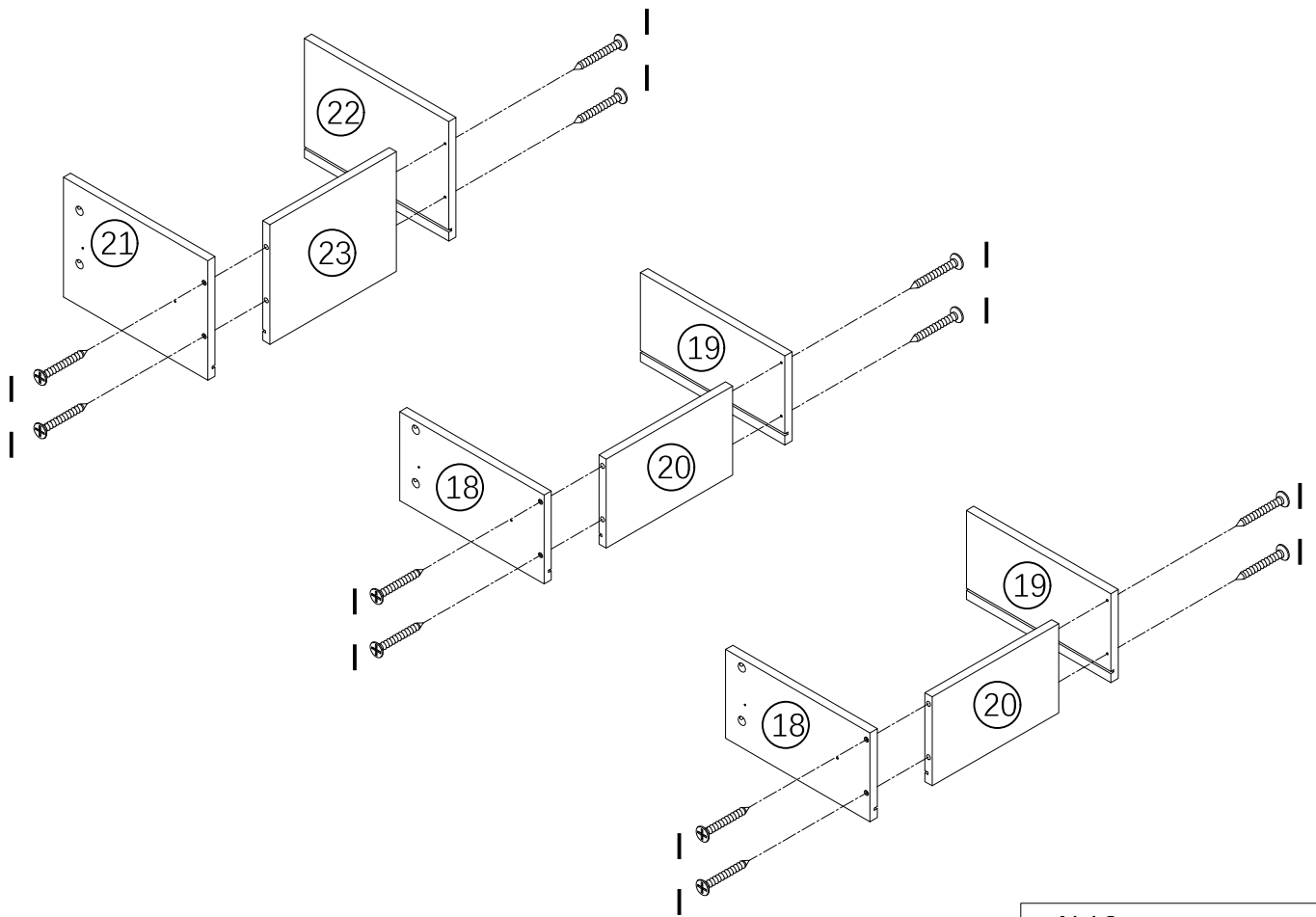
16



Put A on board 15 16 17

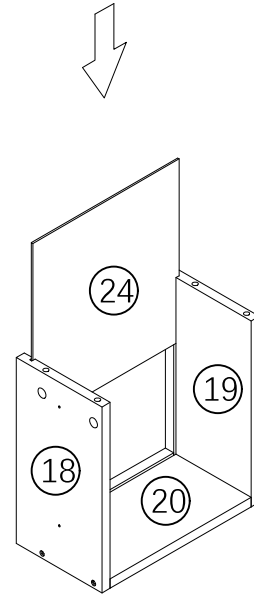
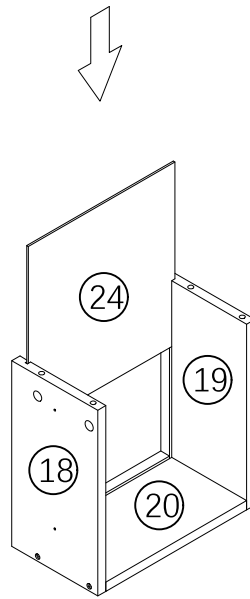
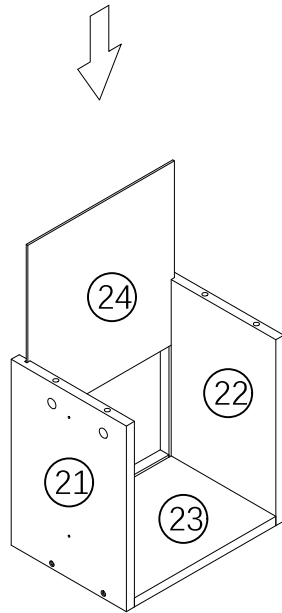
A*12

17

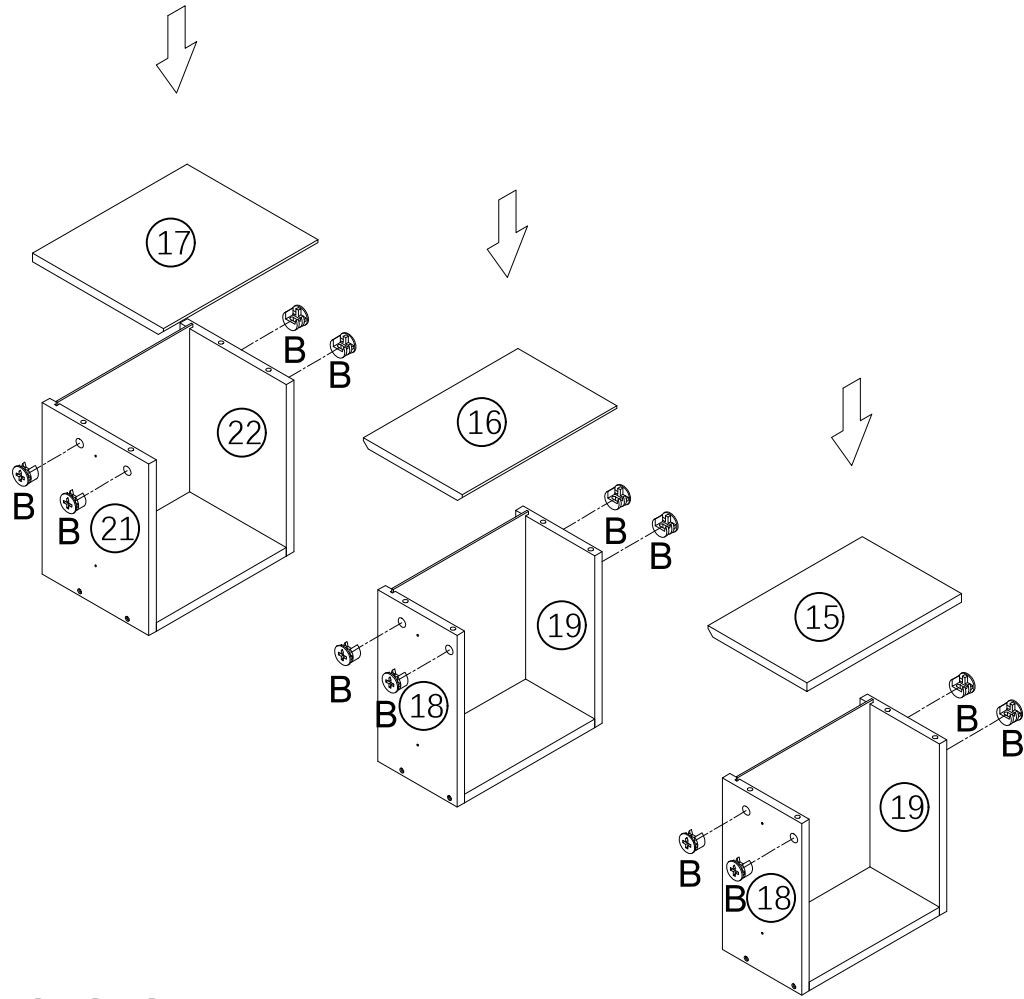


I*12

18

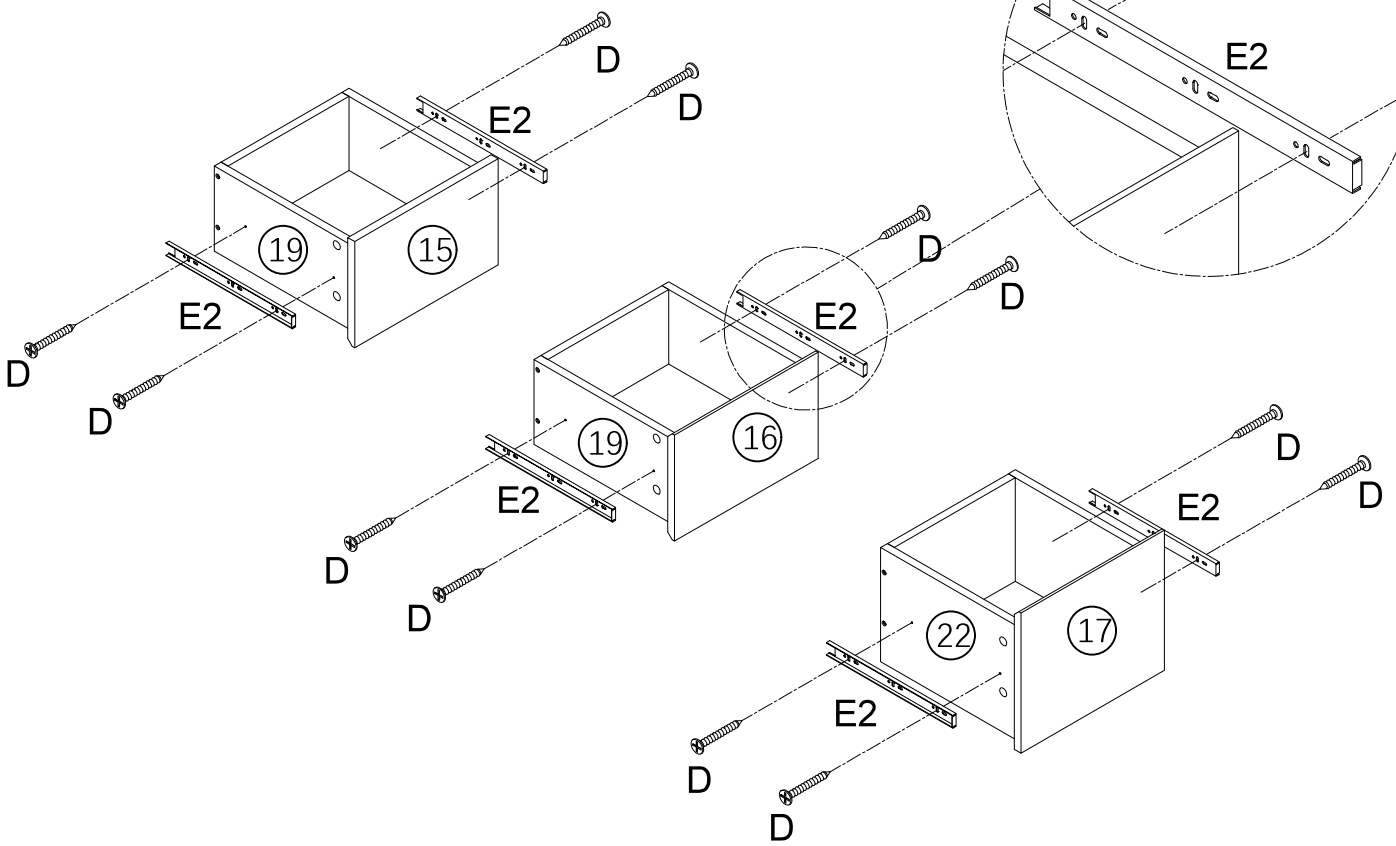


19



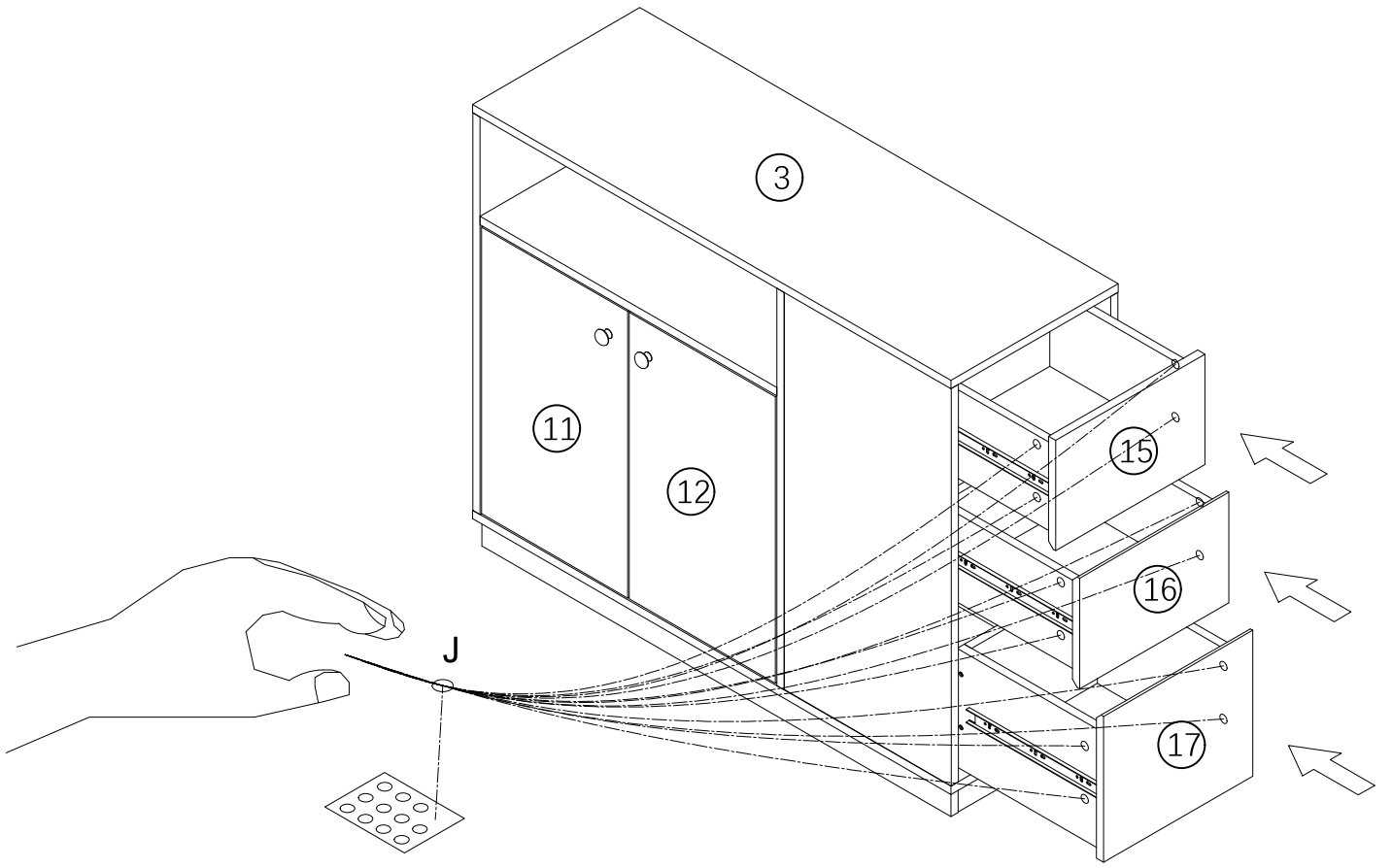
Put B on board (18) (19) (21) (22)

B*12

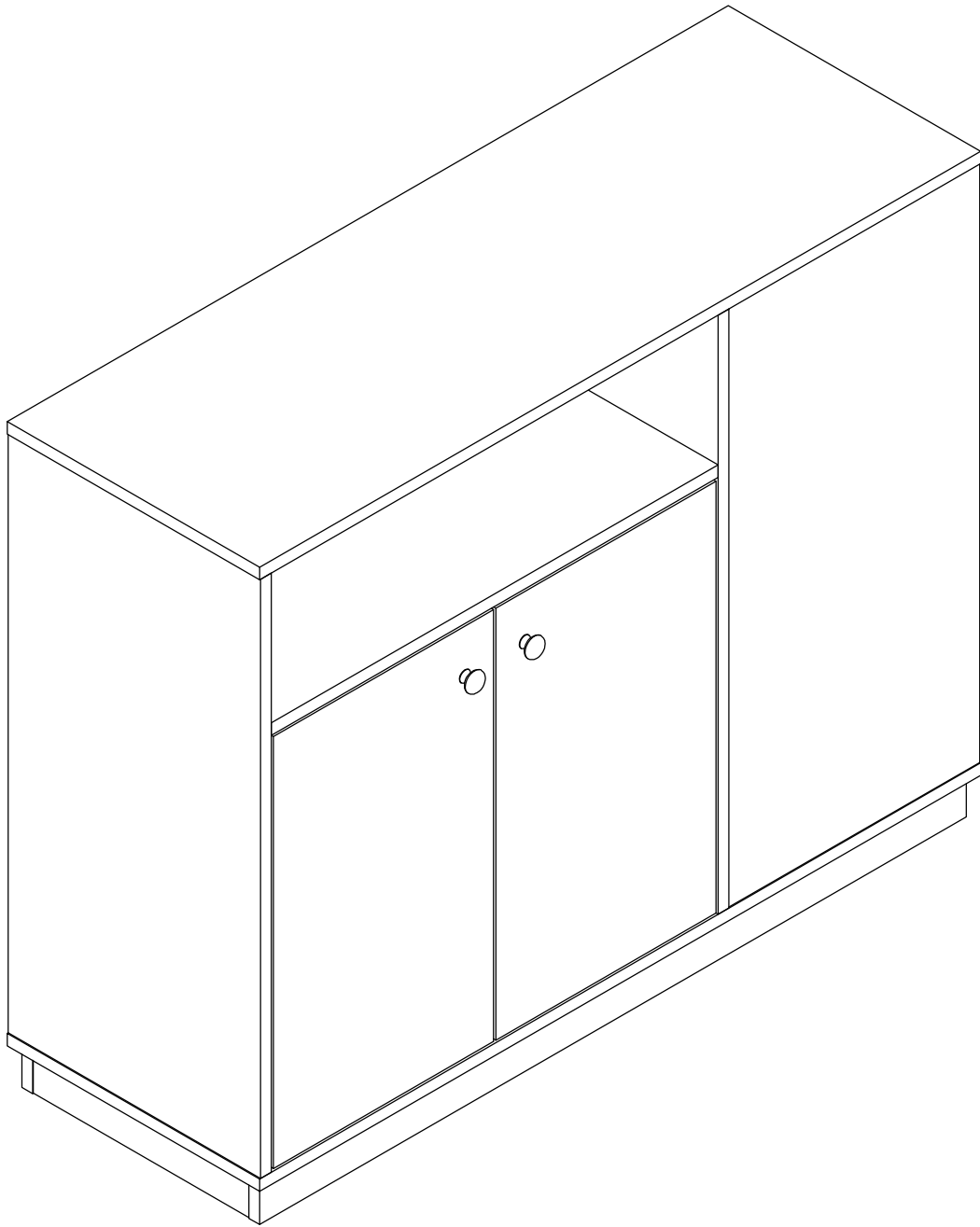


D*12 E2*6

21



J*12



End