

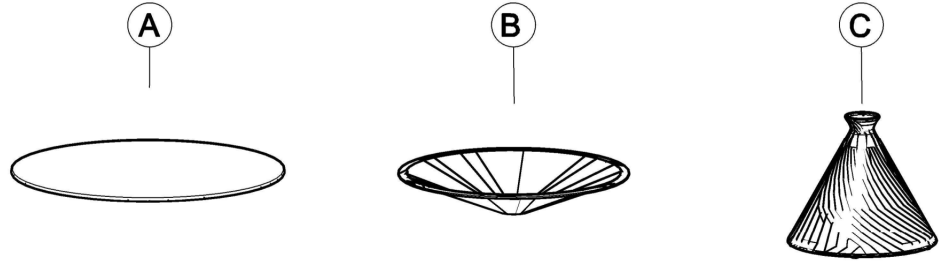
DINING TABLE ASSEMBLY INSTRUCTIONS

PARTS PACKING CONFIGURATION

BOX #1
A. TABLE TOP

BOX #2
B. TOP SUPPORT

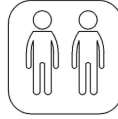
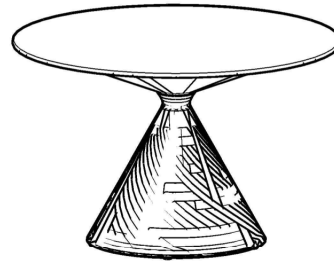
BOX #3
C. BASE



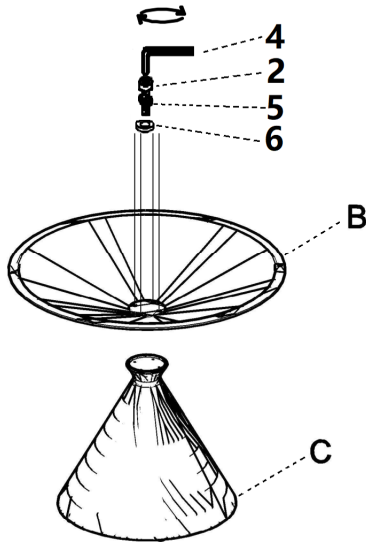
HARDWARE PACKED IN BOX #3

NO.	DESCRIPTION	IMAGE	QUANTITY
1	ALLEN BOLT (M8x12mm)		6 PCS
2	ALLEN BOLT (M8x 25mm)		4 PCS
3	ALLEN KEY (M5)		1 PC
4	ALLEN KEY (M6)		1 PC
5	LOCK WASHER (M8)		4 PCS
6	FLAT WASHER (M8)		4 PCS

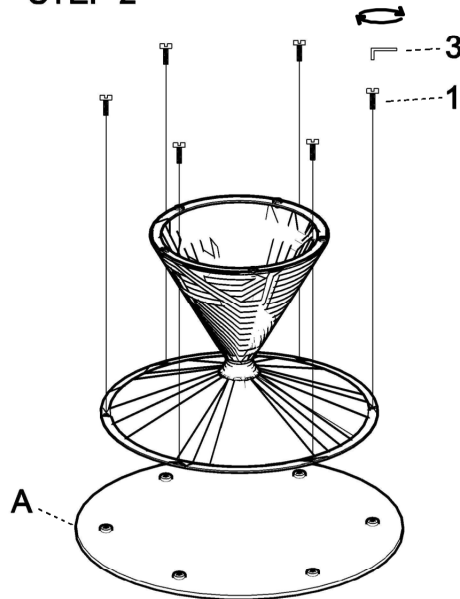
FULLY ASSEMBLED



STEP 1



STEP 2



ASSEMBLY COMPLETE

