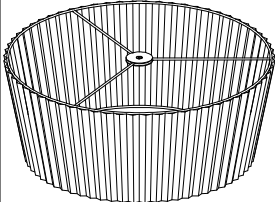
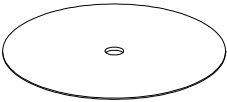
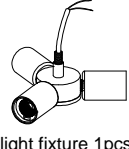







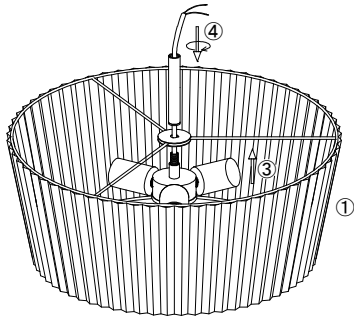


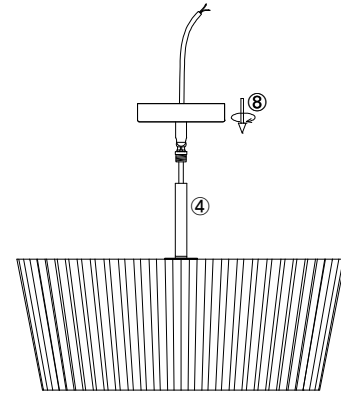
<p>①</p>  <p>fabric lampshade 1pcs</p>	<p>②</p>  <p>bottom plate 1pcs</p>	<p>③</p>  <p>light fixture 1pcs</p>	<p>④</p>  <p>hanging tube 1pcs</p>	<p>⑤</p> <p>⑥</p> <p>⑦</p>	<p>⑤ screw 1pcs</p> <p>⑥ round plate 1pcs</p> <p>⑦ end cap 1pcs</p>	 X 1PCS  X 3PCS	 X 1PCS  X 3PCS  X 3PCS  X 3PCS
---	---	--	---	----------------------------	---	---	---



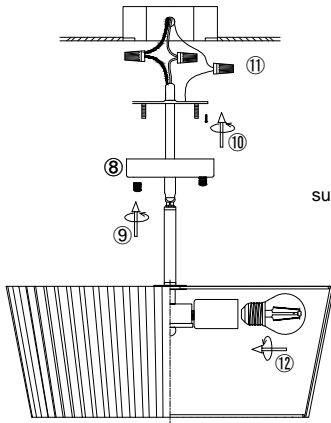
Please operate with gloves to avoid leaving stains on the lampshade.



1. Let the wire of the fixture ③ go through the lampshade ① and hanging tube ④, rotate to install both parts to the fixture.

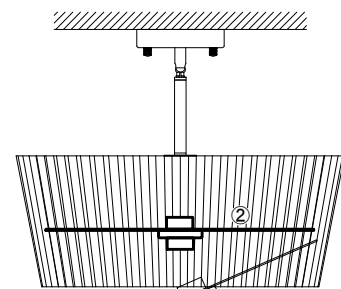
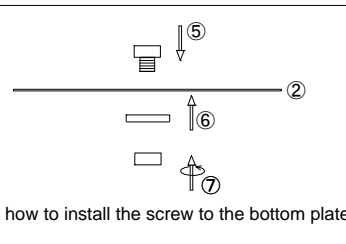


2. Rotate to install the canopy ⑧ to fixture.



suggest to use G45 ping pong bulb.

3. Install the bracket to the ceiling junction box with screw ⑩.
4. Connect the wire to the home line with cap connector ⑪.
5. Install the fixture to the bracket with cap nut ⑨.
6. Install the bulb ⑫.



② Put the bottom plate ② at an angle into the fabric lampshade ①, then adjust it to level.

7. Install the round plate ⑥ to the bottom plate ② with screw ⑤ and end cap ⑦. (Do not exert too much force when screwing).
8. Install the bottom plate ② to the lampshade.

Please read carefully before installation!!!

Note : Please make sure that the electricity is powered off during installation !
Only a professional electrician should install this kind of product !