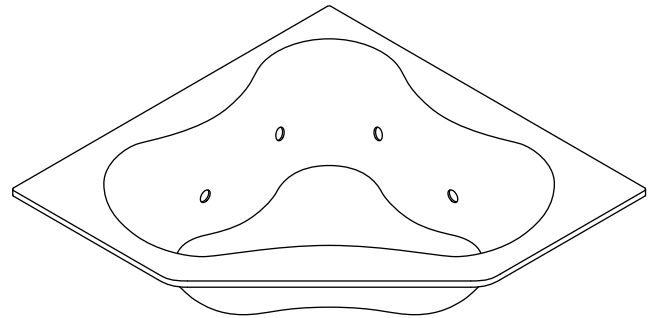


WHIRLPOOL BATH WITH HEATER K-1154-H ALSO K-1154-FH

Features

- ExoCrylic™
- Pump with air switch and grounding-type plug-in cord
- Six individually adjustable ProFlex® hydro-massage jets
- Drop-in installation
- In-line heater
- Optional K-9696 whirlpool trim kit in additional finishes
- Molded lumbar support and armrests for comfort
- Tile flange on two sides for corner installation [K-1154-FH]
- 54" (1372 mm) x 54" (1372 mm) x 20" (508 mm)



Codes/Standards Applicable

Specified model meets or exceeds the following:

- ASME A112.19.7/CSA B45.10
- CSA B45.5/IAPMO Z124
- UL 1795

Colors/Finishes

- 0: White
- Other: Refer to Price Book for additional colors/finishes

Accessories

- CP: Polished Chrome
- PB: Vibrant® Polished Brass
- Other: Refer to Price Book for additional colors/finishes

Specified Model

Model	Description	Colors/Finishes	
K-1154-H	Whirlpool bath with heater – drop-in (shown)	<input type="checkbox"/> 0	<input type="checkbox"/> Other_____
K-1154-FH	Whirlpool bath with heater – tile flange	<input type="checkbox"/> 0	<input type="checkbox"/> Other_____

Recommended Accessories

K-7213	Clearflo bath cable drain with PVC tubing	<input type="checkbox"/> CP	<input type="checkbox"/> Other_____
K-7214	Clearflo bath cable drain without PVC tubing	<input type="checkbox"/> CP	<input type="checkbox"/> Other_____
K-11677	Adjustable trip lever bath drain	<input type="checkbox"/> CP	<input type="checkbox"/> PB

Optional Accessories

K-9696	Jet trim kit (metal finishes)	<input type="checkbox"/> CP	<input type="checkbox"/> PB	<input type="checkbox"/> Other_____
--------	-------------------------------	-----------------------------	-----------------------------	-------------------------------------

Product Specification

The ExoCrylic whirlpool bath shall be 54" (1372 mm) in length, 54" (1372 mm) in width, and 20" (508 mm) in height. Whirlpool shall be drop-in [K-1154-H] or tile flange on two sides for corner installation [K-1154-FH]. Whirlpool shall have six individually adjustable ProFlex hydro-massage jets, pump with air switch and grounding-type plug-in cord, and in-line heater. Whirlpool shall have molded lumbar support and armrests for comfort. Whirlpool shall feature optional K-9696 whirlpool trim kit in additional finishes. Whirlpool bath shall be Kohler Model K-1154-_____-_____.

PROFLEX® 5454

Technical Information

Fixture*:	
Bathing well:	
Basin area, bottom	44" (1118 mm) x 36" (914 mm)
Basin area, top	56" (1422 mm) x 43" (1092 mm)
Weight	70 lbs (31.8 kg)
To overflow:	
Water depth	15" (381 mm)
Capacity	76 gal (288 L)
* Approximate measurements for comparison only.	

Pump:		V	Hz	A
1-speed		120	60	7.5
Heater:	kW	V	Hz	A
	1.5	120	60	12.5

Required Electrical Service

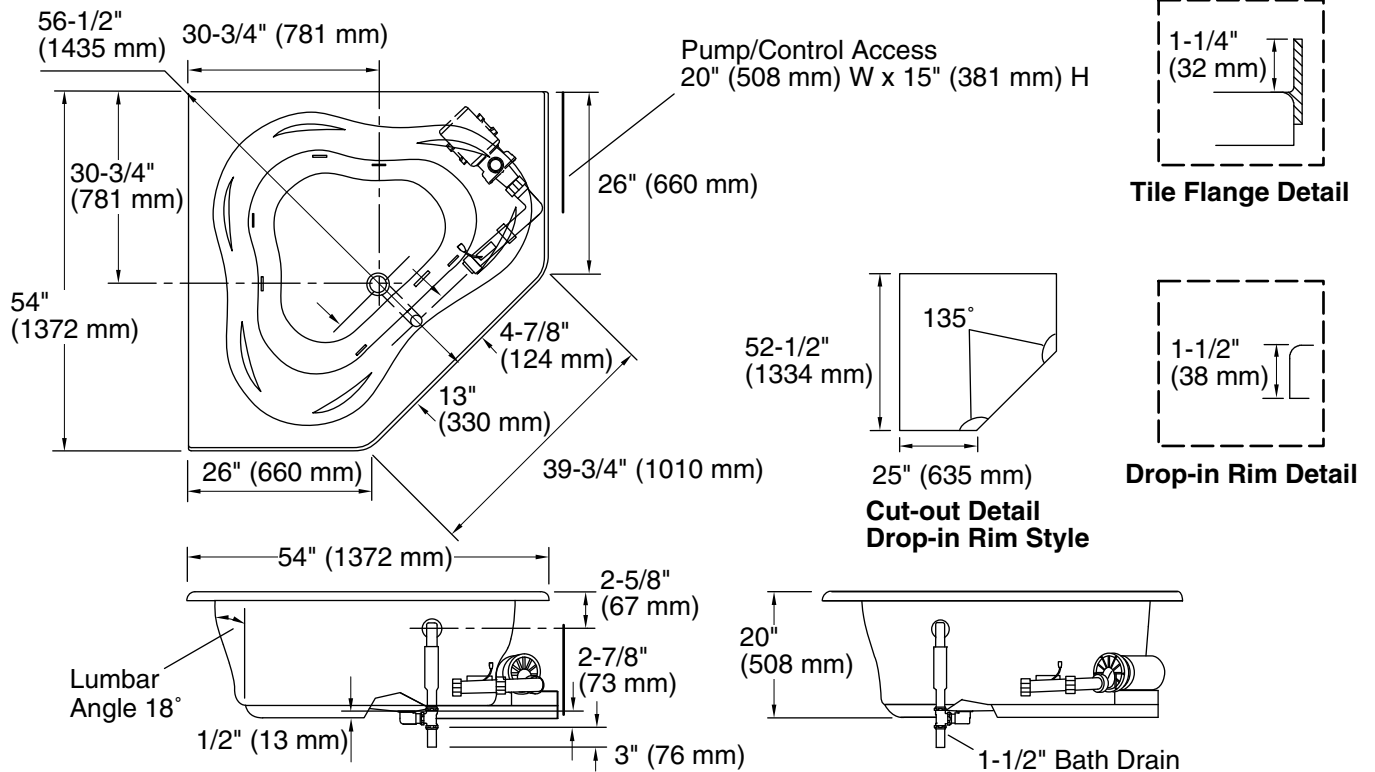
Two dedicated circuits required, each protected with Class A Ground-Fault Circuit-Interrupter (GFCI):	
Pump/control	120 V, 15 A, 60 Hz
Heater	120 V, 15 A, 60 Hz
Locate the outlets behind the whirlpool and within 24" (610 mm) of the pump.	

Installation Notes

Install this product according to the installation guide.

Floor support under whirlpool must provide for a minimum of 36 lbs/square foot (176 kg/square meter) loading.

No change in measurements if connected with drain illustrated. (K-11677)



Product Diagram