

What's Included

Before disposing of any packing materials, it is essential to inspect the shipping carton of the bedframe to ensure the inclusion of the following items:

- Please note that all parts depicted are for reference purposes only and may not precisely resemble the components.
- Please be aware that certain components might not be available depending on the specific size of the bed frame.

A (1) Headboard (All sizes)



B (1) Footboard (All sizes)



C (1) Left & Right Sideboard (All sizes)



D (4) Legs & Screws (All sizes)



E (1/2) Support beam (Selected sizes)



F (2/4) Support beam legs (Selected sizes)



G (4) Connecting pins (All sizes)



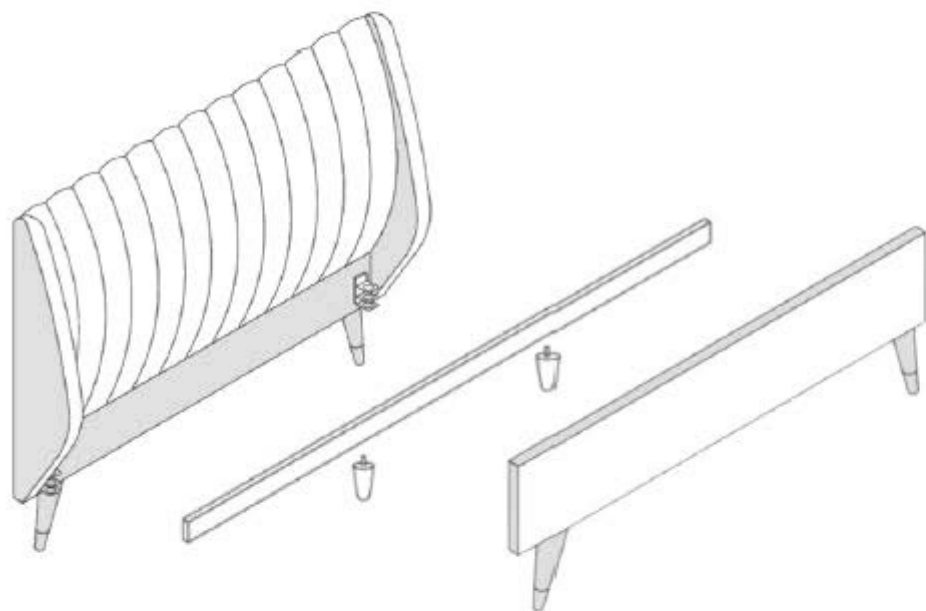
H (1) Slates (All sizes)



Assembly Guide

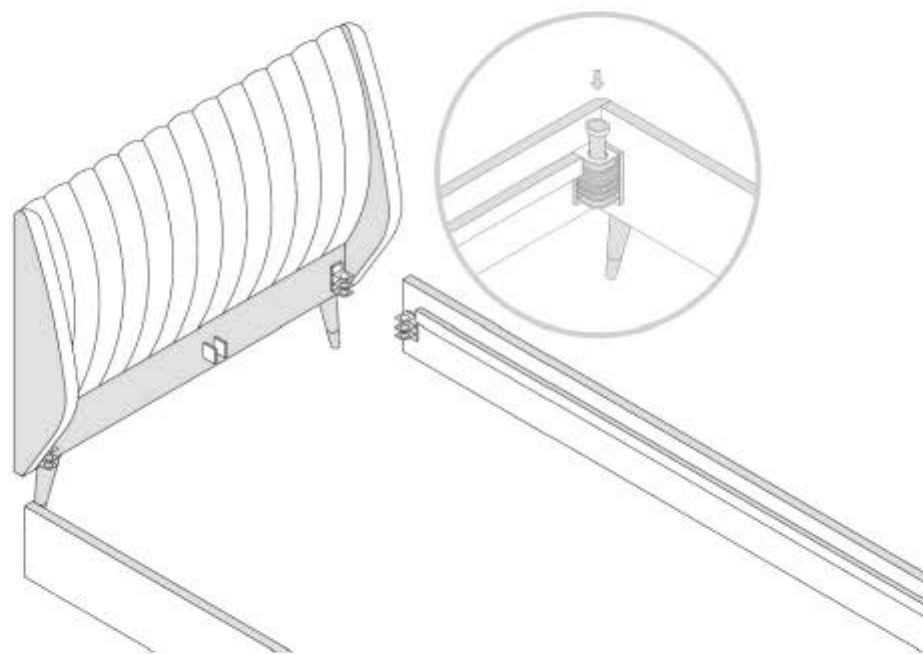
Step 1

Secure the legs to the headboard and footboard using the provided screws. Then, fasten the legs onto the support beam by rotating them until they are firmly secured.



Step 2

Connect the headboard, footboard, and sideboard by inserting the pins into the designated slots as illustrated in the provided image.

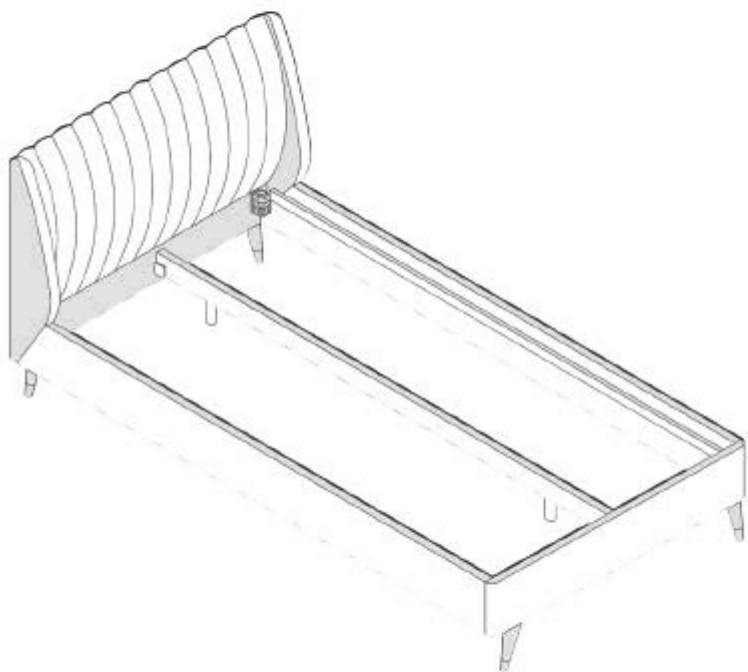


NOTE:

In the case of a single-sized bed frame, there won't be a support beam. However, for a king-sized frame, there will be two support beams instead of one.

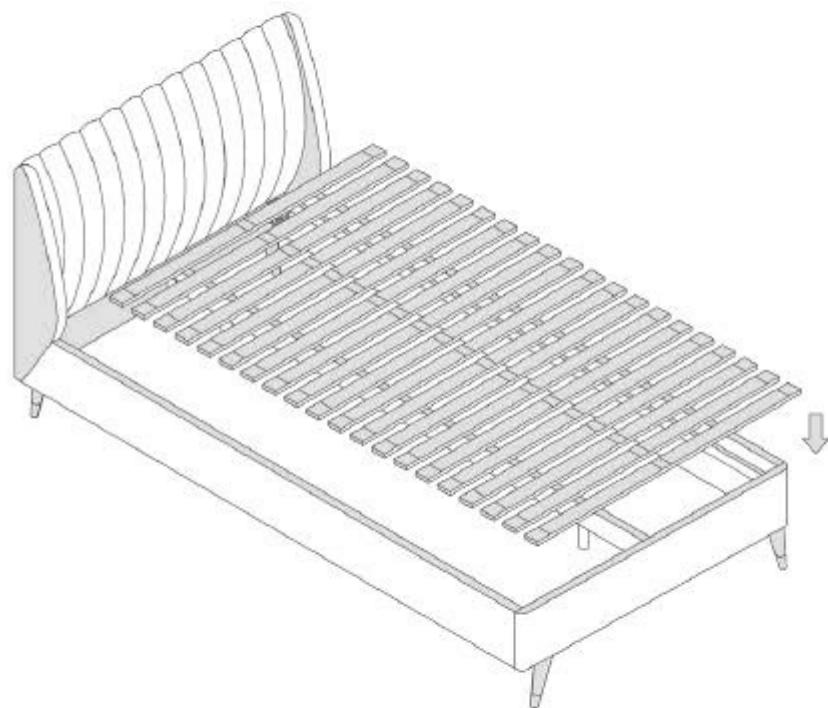
Step 3

Connect the support beam to both the headboard and footboard by sliding the end hooks into the corresponding receivers on each of them.



Step 4

Unroll the slats to cover the full length of the foundation, making sure they're securely fastened to the Velcro on the beams of the sideboards.



NOTE:

If assembling a single-sized bed, you can skip this step. However, if it's a king-size bed, please repeat the previous steps as there will be two support beams to install.

Step 5

Position the mattress atop the bed frame to begin using it immediately.

