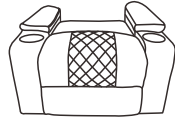


## Parts List

**A** 1xSeat



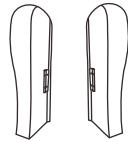
**D** 1xPower Kit



**G** 1X Back



**B** 2xBack Wings



**E** Remote Control



**H** 1X Spring Coil Cushion



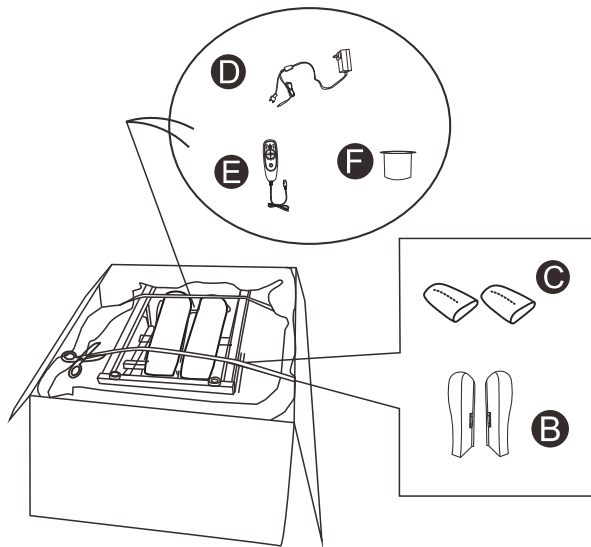
**C** 2x Arm Pads



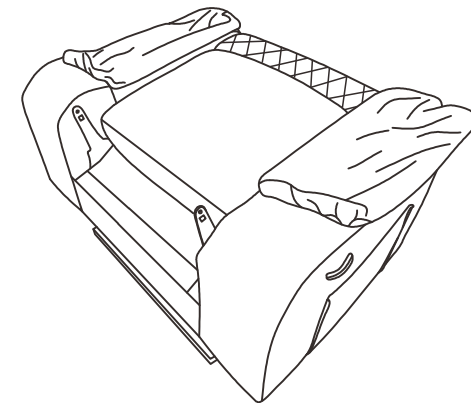
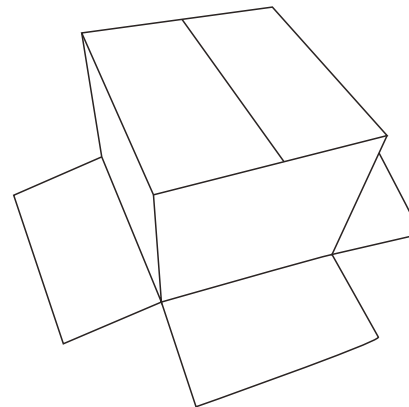
**F** X2 Cup Holder

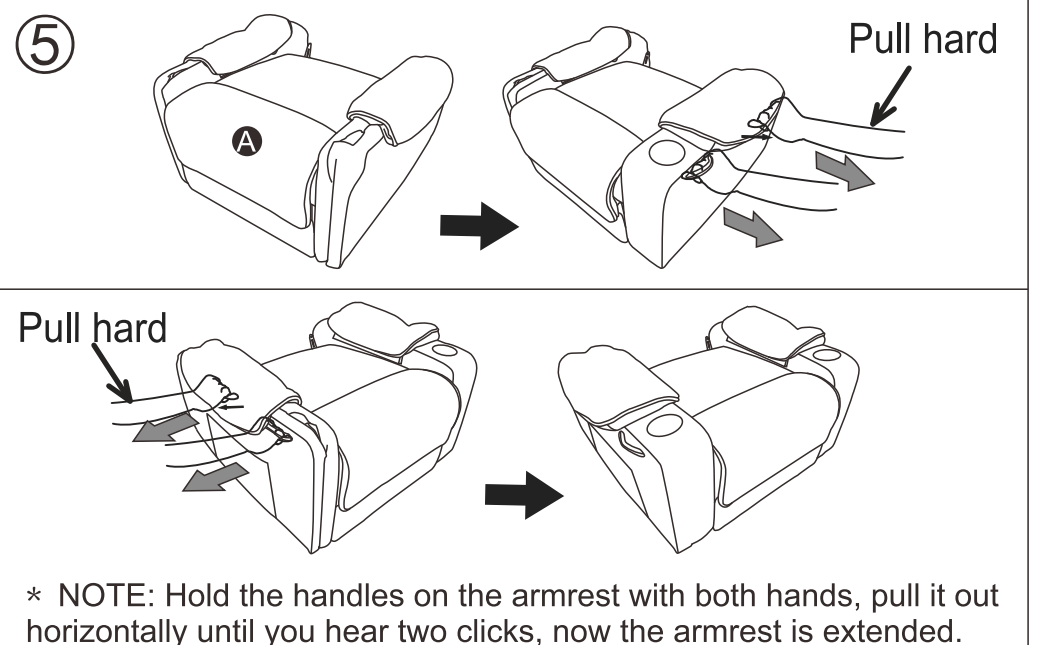
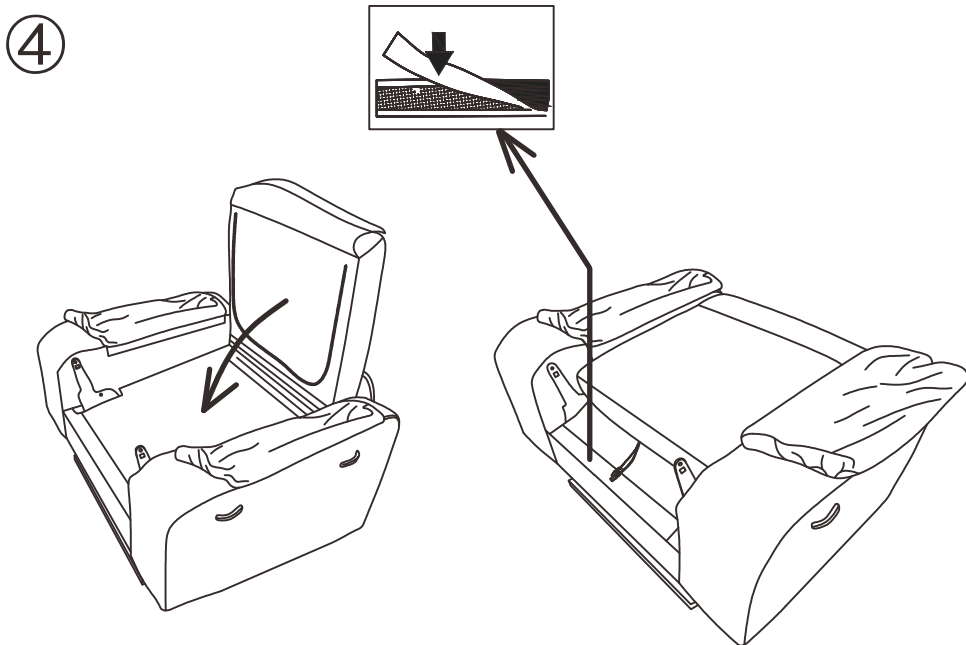
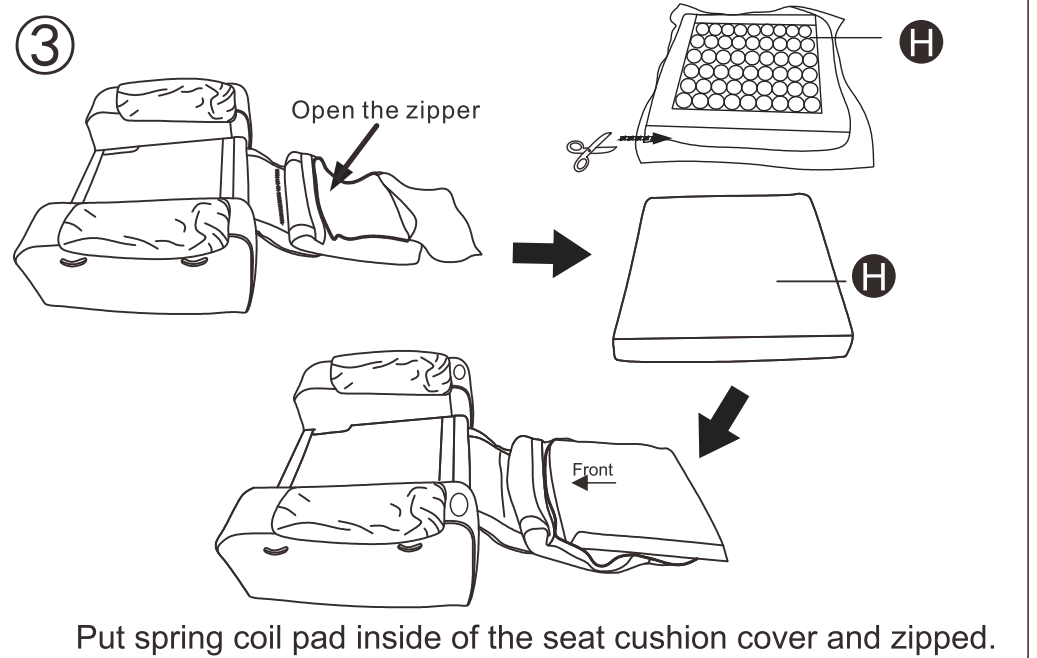
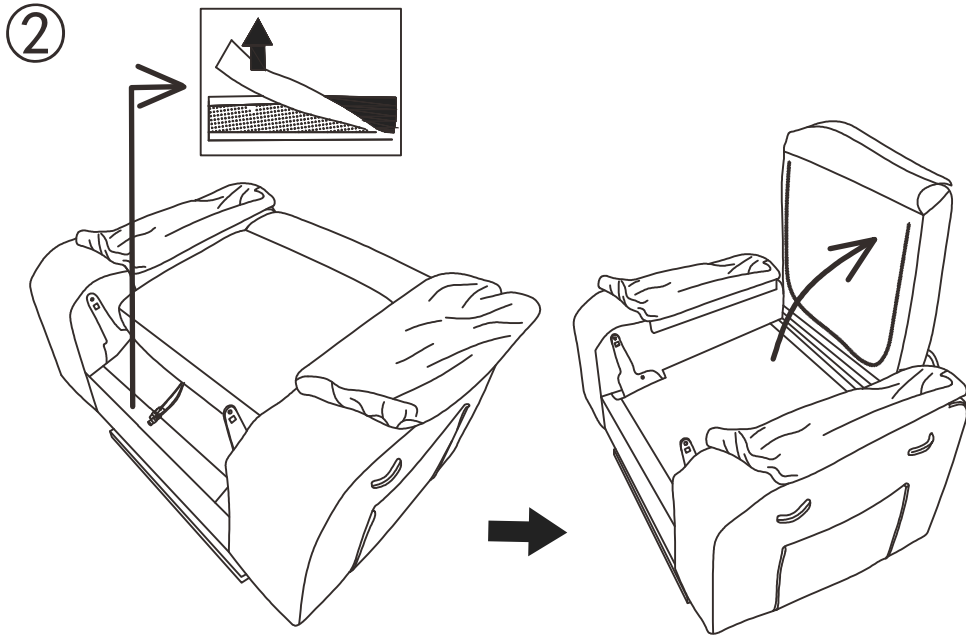


①

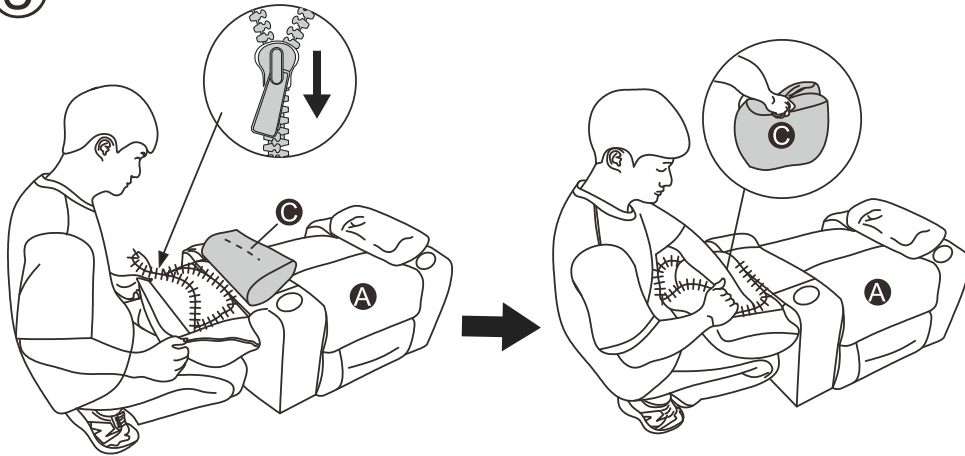


BACK





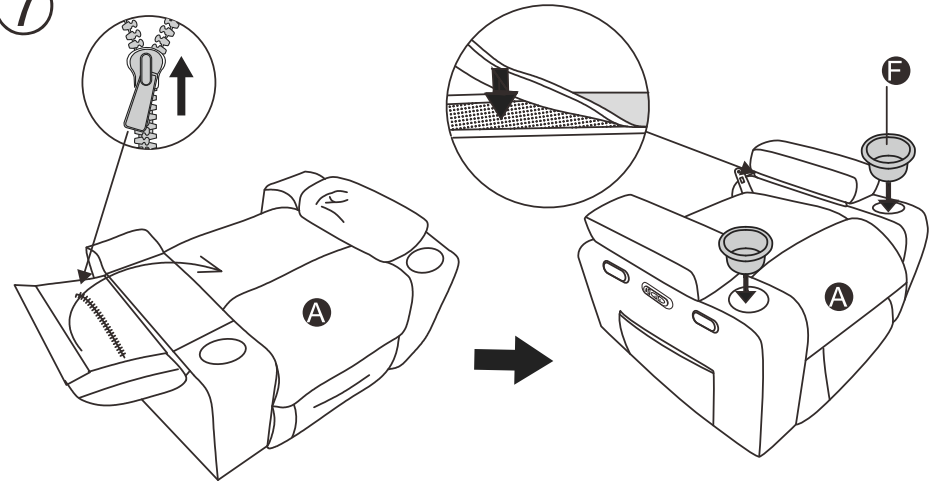
6



Unzip up the armrest cover.

Insert the armrest insert into the armrest cover.

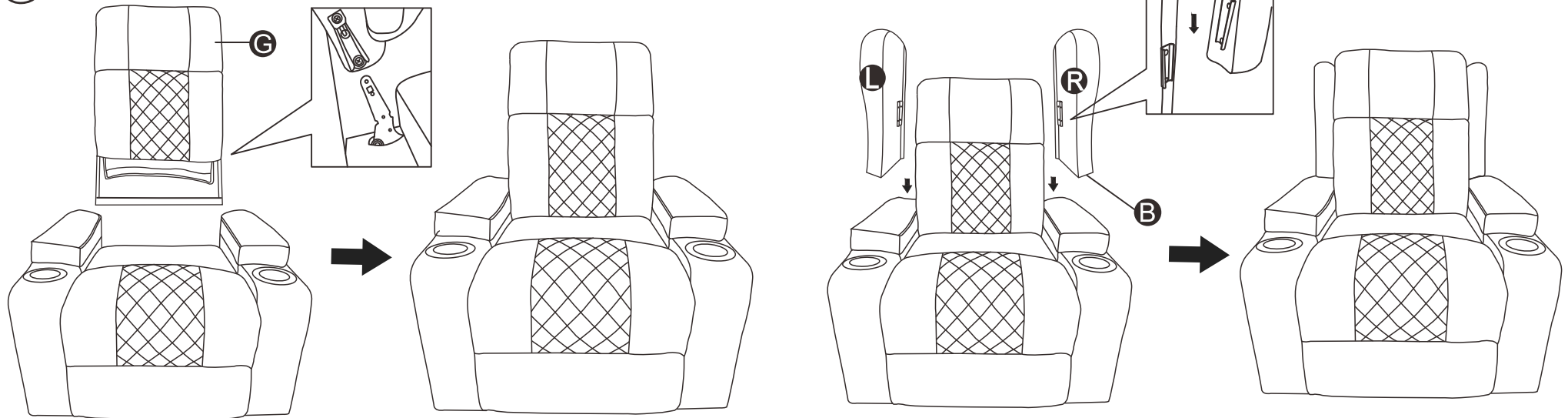
7



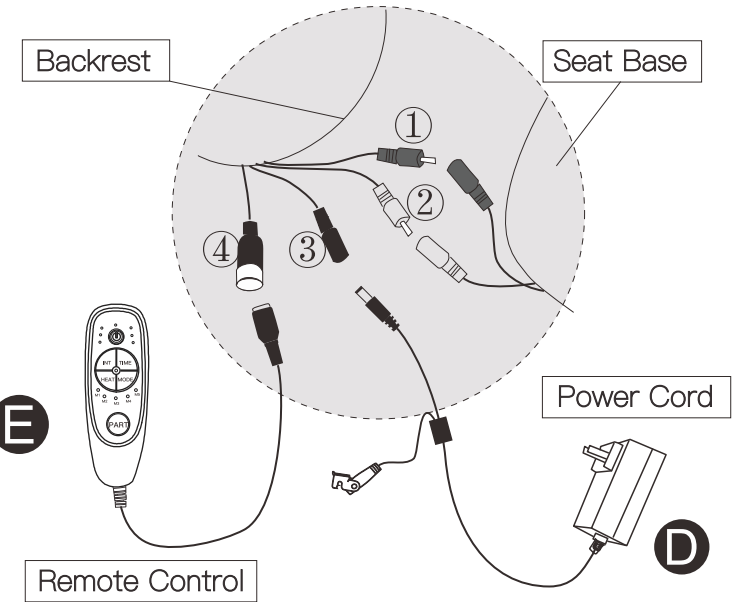
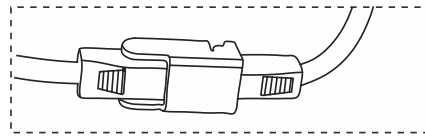
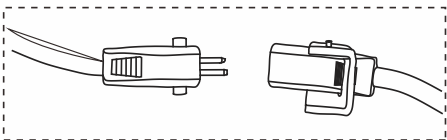
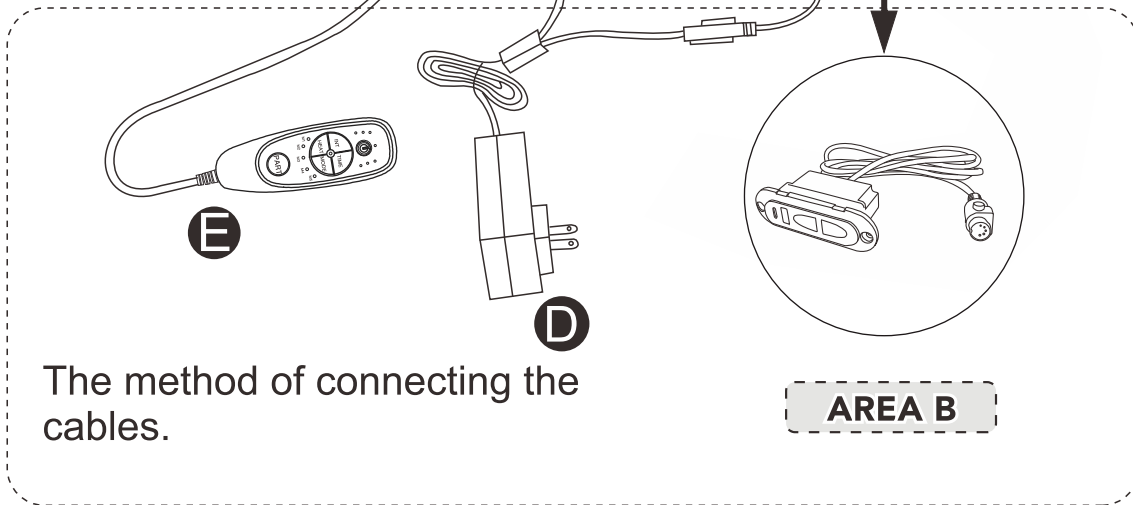
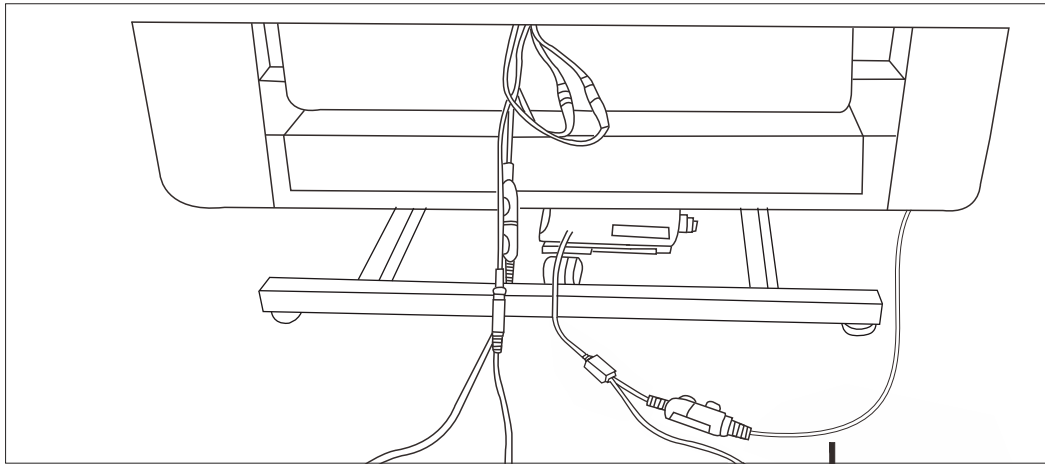
zip up the armrest cover.

Stick the armrest cover to the armrest and then install the cup holders.

8



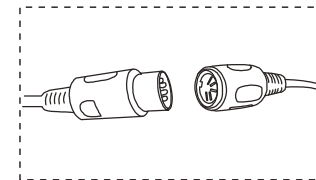
9



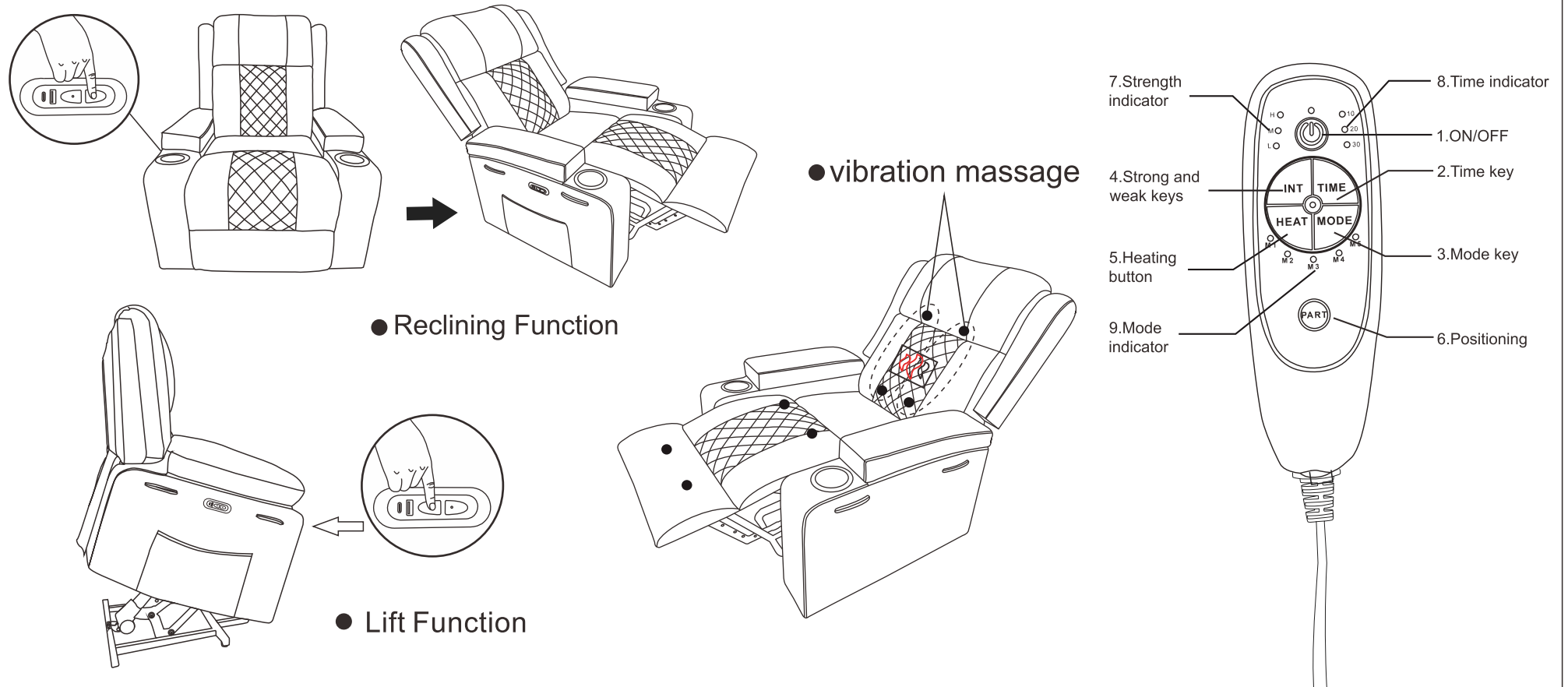
**AREA B**

Connect ① ② with wires of same color from the seat base.

Connect ③ with Power cord ④ and ④ with Remote control ⑤.



You've put in the effort—now enjoy the rewards!



## I、Specifications of power adapter

Power on in standby state. The user can realize the function through the hand controller control  
 Input :AC 100-240V, 50Hz/60HZ; Output: DC12V1A.

## II、Product features

1. Motor vibration at position 8
2. 1-way heating plate
3. Three-segment timing, the default timing shutdown time is 10Min
4. 3rd gear vibration intensity
5. 5 vibration modes

## III、Function details

1. ON/OFF: Switch on and of
2. TIME: Positioning cycle by massage time (10/20/30 min) , Boot default 10min
3. MODE: Tap the five vibration modes to switch (M1/M2/M3/M4/M5) ,The default startup mode is M4
4. INT: Switch point by vibration intensity (H/M/L) ,Boot the default M file (medium Files)
5. HEAT: Click heating switch circulation
6. PART: Vibration positioning key , Boot the default vibration is full on, tap to switch to a single part vibration
7. Strength indicator
8. Time indicator
9. Mode indicator