

ASSEMBLY INSTRUCTION

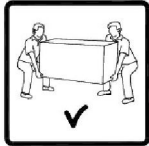
ASSEMBLY TIPS :

1. Remove hardware from box and sort by size.
2. Please check to see that all hardware and parts are present prior to start of assembly.
3. Please follow attached instruction in the same sequence as numbered to assure fast & easy assembly.



Warning !

1. Don't attempt to repair or modify parts that are broken or defective. Please contact the store immediately.
2. This product is for home use only and not intended for commercial establishment.

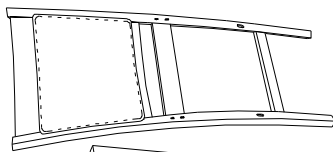


ASSEMBLY TIME

20 MINUTES

PARTS IDENTIFICATION:

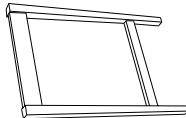
A



CHAIR BACK

1PC

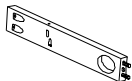
B



FRONT LEG FRAME

1PC

C



SIDE RAIL

1PC

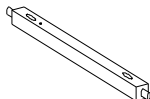
D



CUSHION SEAT

1PC

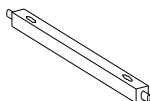
E1



RIGHT STRETCHER

1PC

F1



LEFT STRETCHER

1PC

HARDWARE IDENTIFICATION:

1



ALLEN WRENCH

1PC

2



BOLT

6PCS

3



LOCK WASHER

6PCS

4



SHORT PAN HEAD SCREW

3PCS

5

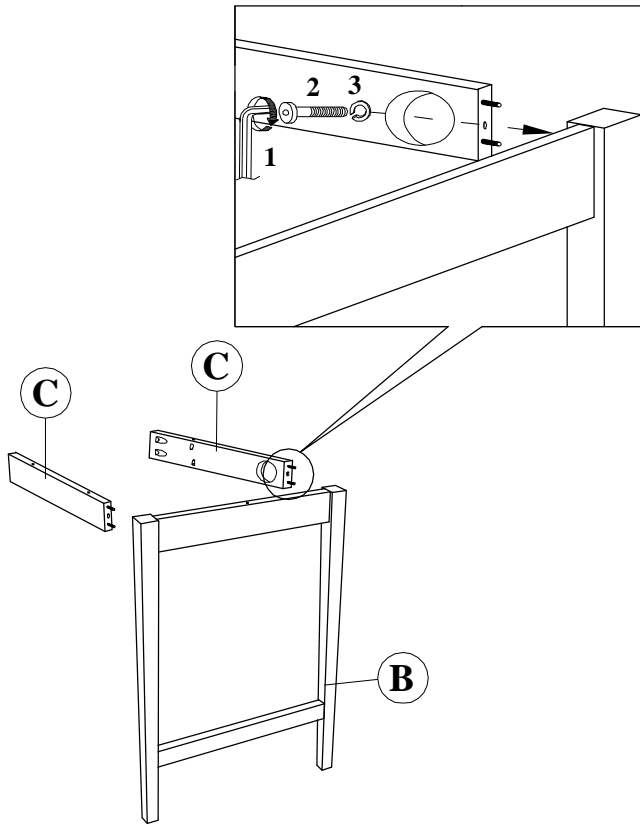


LONG PAN HEAD SCREW

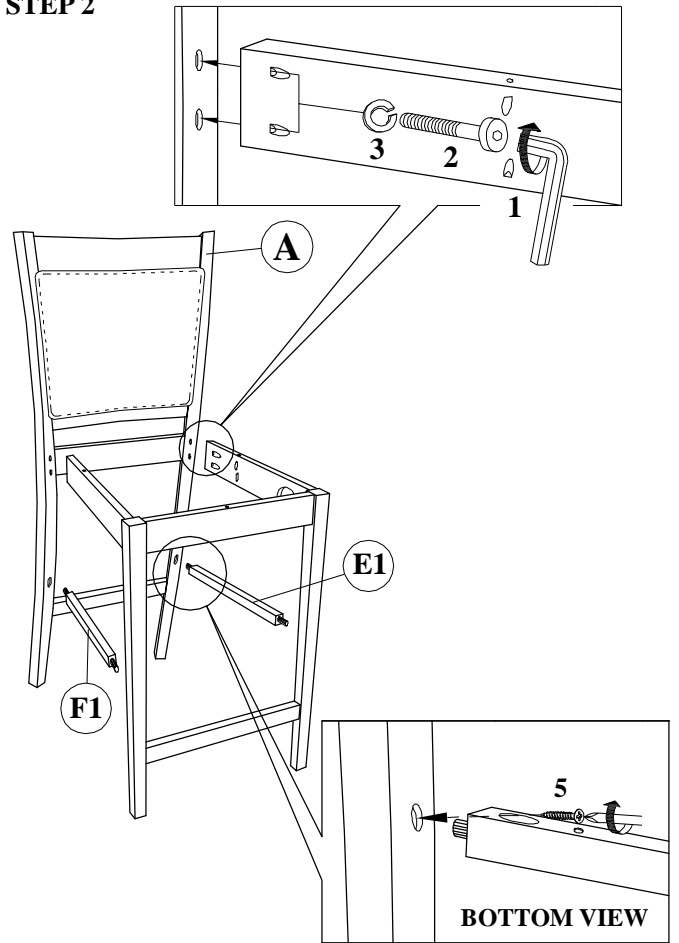
4PCS

**NOTE : QUANTITIES SHOWN ARE FOR ONE CHAIR.
NOTE : PHILLIPS HEAD SCREW DRIVER IS REQUIRED IN THE ASSEMBLY
PROCESS. HOWEVER, MANUFACTURER DOES NOT PROVIDE THIS ITEM.**

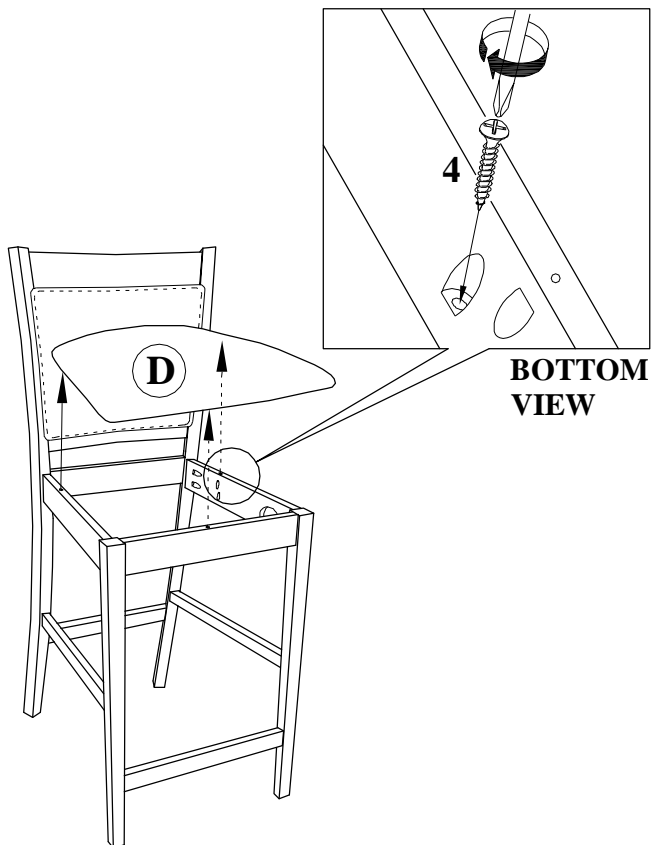
STEP 1



STEP 2



STEP 3



STEP 4

