

WARNING!!

Children have died from furniture tipover. Tip restraints have been included with this product; you must install the tip restraints according to these instructions in order to minimize the risk of furniture tipping. If you have any questions about this product or the tip restraint, please send us an email

NEVER allow children to climb or hang on furniture, including drawers or cabinet doors.

In addition to installing the restrains, to help prevent tip-over

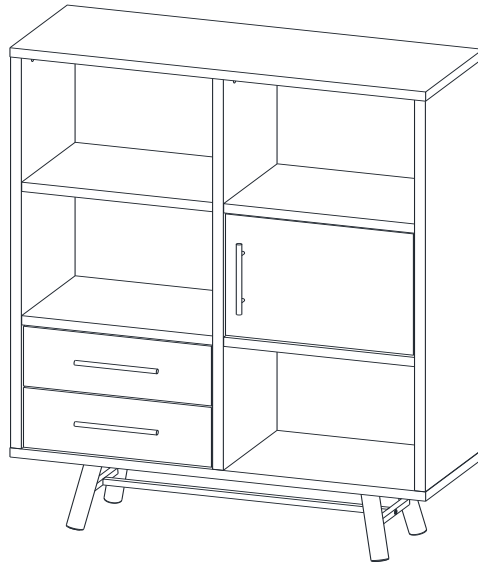
- 1. NEVER put a TV or other heavy objects on top of this product.**
- 2. Do not stand on the product**

 WARNING	
	<p>Children have died from furniture tipover. To reduce the risk of furniture tipover:</p> <ul style="list-style-type: none">• ALWAYS install tipover restraint provided.• NEVER put a TV on this product.• NEVER allow children to stand, climb or hang on drawers, doors, or shelves.• NEVER open more than one drawer at a time.• Place heaviest items in the lowest drawers.• Do not defeat or remove the drawer interlock system.
	<p><i>This is a permanent label. Do not remove!</i></p>

Assembly Instructions


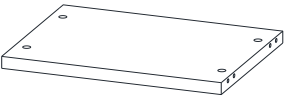

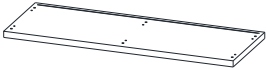
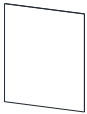
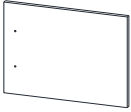
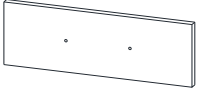
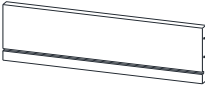
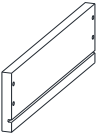

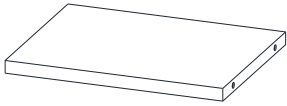



Caution : You must read this before you proceed

BOOKCASE




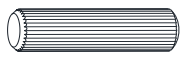





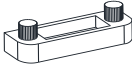
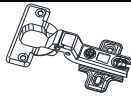







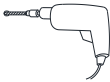





Parts List

Label	Picture	Description	QTY
AL		Drawer Left Side Rail	2
AR		Drawer Right Side Rail	2
BL		Drawer Left Bottom Rail	2
BR		Drawer Right Bottom Rail	2
C		Top Panel	1
D		Side Panel Left	1
E		Side Panel Right	1

F		Center Panel	1
G		Middle Panel-Up	2
H		Middle Panel-Down	2
I		Bottom Panel	1
J		Back Panel	2
K		Door Panel	1
L		Drawer Front Panel	2
M		Drawer Back Panel	2
N		Drawer Side Panel	4
O		Drawer Bottom Panel	2
P		Back Support	4
Q		Handle	3
R		Metal Leg	2
S		Metal Support	1

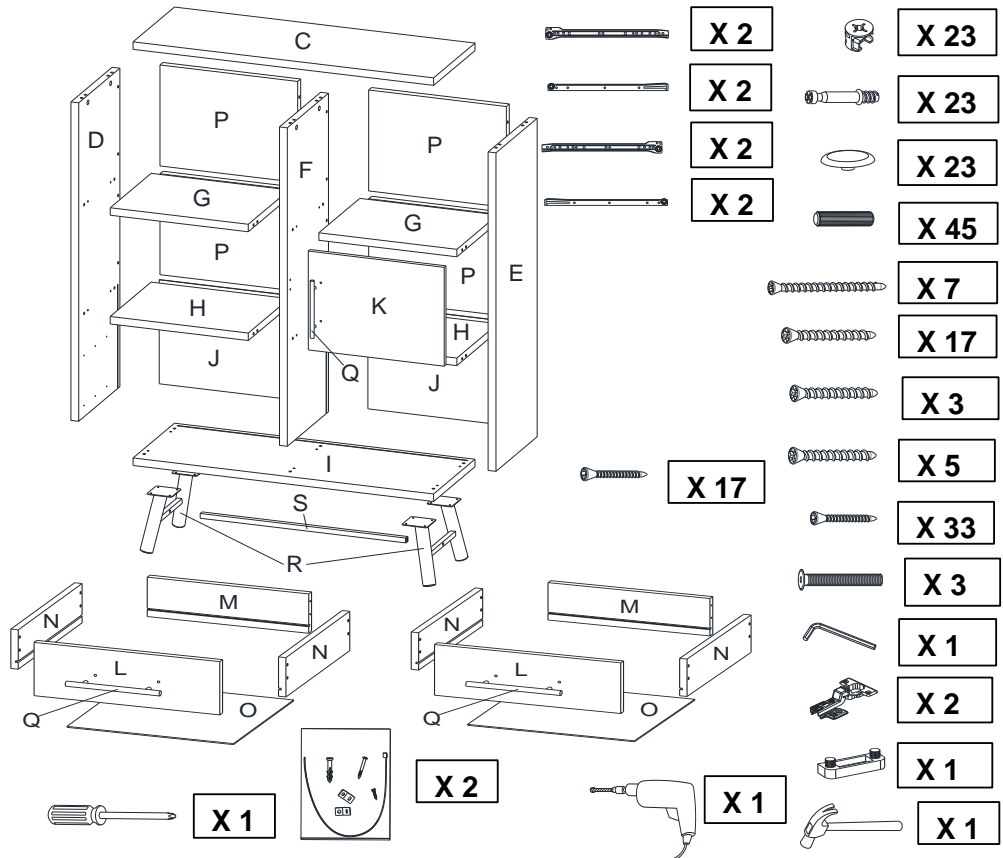
Hardware

Label	Picture	Description	QTY
①		Cam Lock	23
②		Cam Bolt	23
③		Cam Cap	23
④		Positioning Dowel (Ø8*30mm)	45
⑤		Cap Wood Screw (M6*60mm)	7
⑥		Screw (M4*38mm)	17
⑦		Screw (M3.5*16mm)	33
⑧		Handle Screw (M4*32mm)	3
⑨		Handle Screw (M4*45mm)	5
⑩		Stopper	1
⑪		Connector	2
⑫		Allen Key	1
⑬		Bolt (M6X40mm)	3
⑭		Screw (M4*20mm)	17

⑮		Screwdriver (not provided)	1
⑯		Hammer (not provided)	1
⑰		Power Drill (not provided)	1
Cabinet Restraint Device Hardware			
⑱		Metal Bracket	4
⑲		Wall Plug	2
⑳		Wall Plug Screw	2
㉑		Pan Head Screw	2
㉒		Cabinet Restraint Strap	2

Assembly Preparation

Before Beginning Assembly:



• Read instructions, cover to cover-



• Have 2 adults on hand for assembly-



• Do not assemble on flooring or carpet-



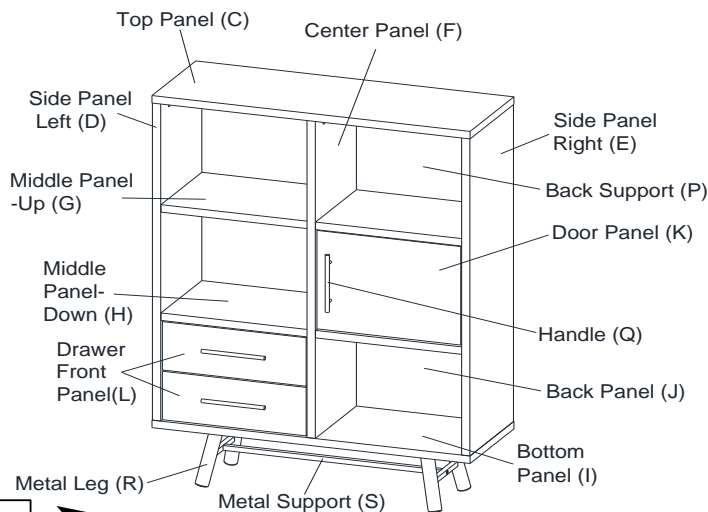
• Assemble on a clean non-marring surface (packing foam)-



• Save all packaging until finished-

Assembly Steps

Overview

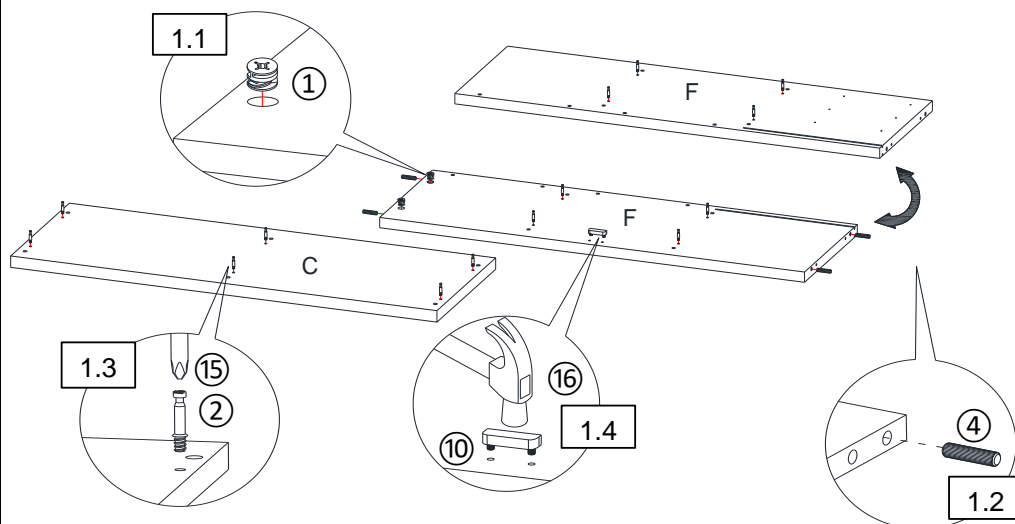


FRONT FACING



This Bookcase has multiple parts and may require up to 60 minutes to assemble. To give you an overview of the Bookcase parts, the above picture is to help you put the various parts into perspective. Please read through the instructions below to familiarise yourself with the parts and steps before assembly.

Step 1



Unpack and place all parts on a clean, non-marring surface.

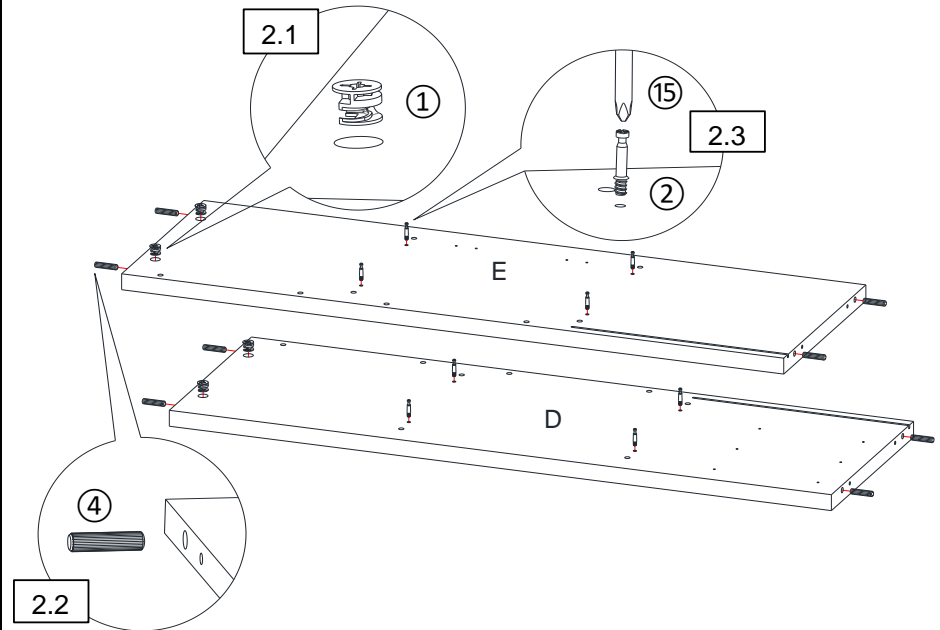
1.1) Insert Cam Locks(①) into mounting positions on Center Panel (F) by hand.

1.2) Insert Positioning Dowels(④) into mounting positions on Center Panel (F) by hand.

1.3) Attach Cam Bolts(②) to mounting positions on Top Panel (C) and Center Panel (F) with Screwdriver(⑮).

1.4) Attach Stopper(⑩) to Center Panel (F) with Hammer(⑯).

Step 2



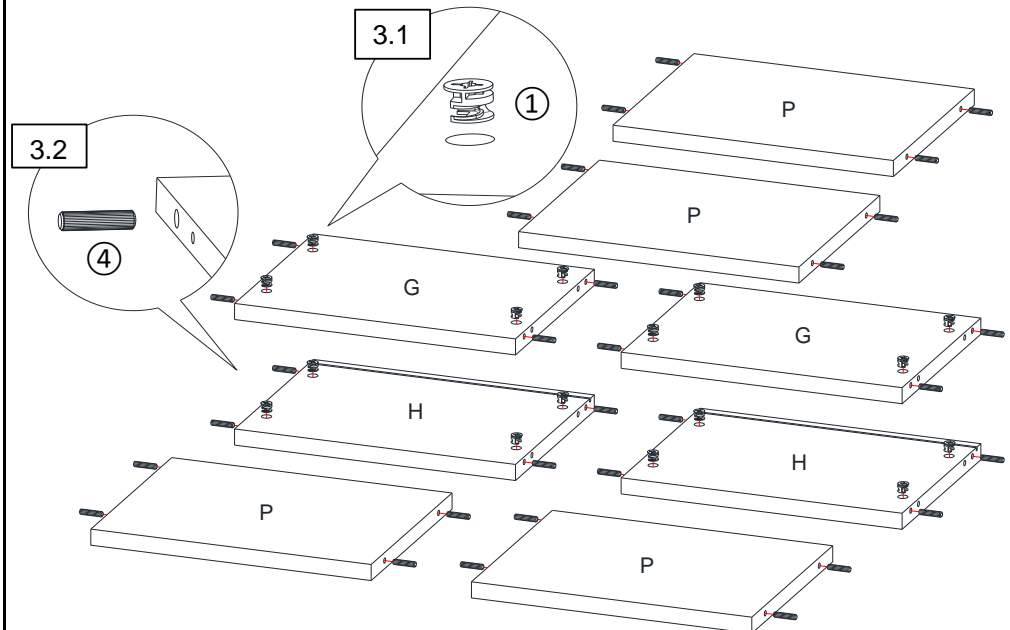
2.1) Insert Cam Locks(①) into mounting positions on Side Panel Left (D) by hand.

2.2) Insert Positioning Dowels(④) into mounting positions on Side Panel Left (D) by hand.

2.3) Attach Cam Bolts(②) to mounting positions on Side Panel Left (D) with Screwdriver(⑮).

2.4) Repeat the same process on Side Panel Right (E).

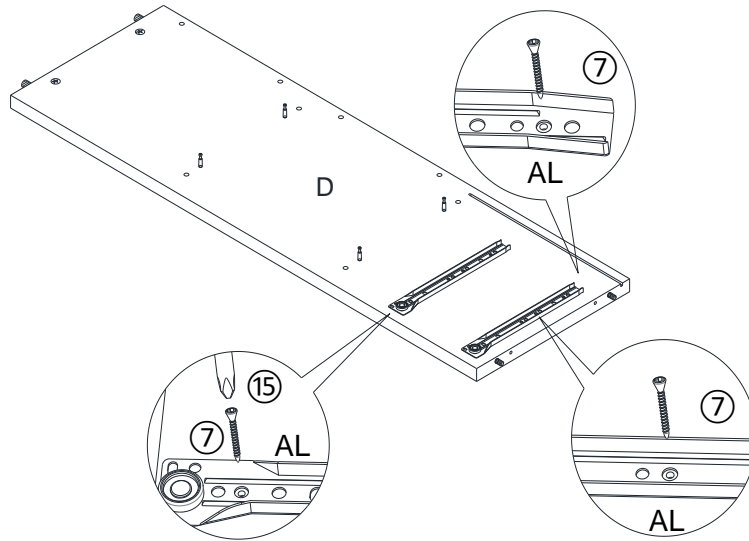
Step 3



3.1) Insert Cam Locks(①) into mounting positions on Middle Panel-Up (G) and Middle Panel-Down (H) by hand.

3.2) Insert Positioning Dowels(④) into mounting positions on Middle Panel-Up (G), Middle Panel-Down (H) and Back Support (P) by hand.

Step 4

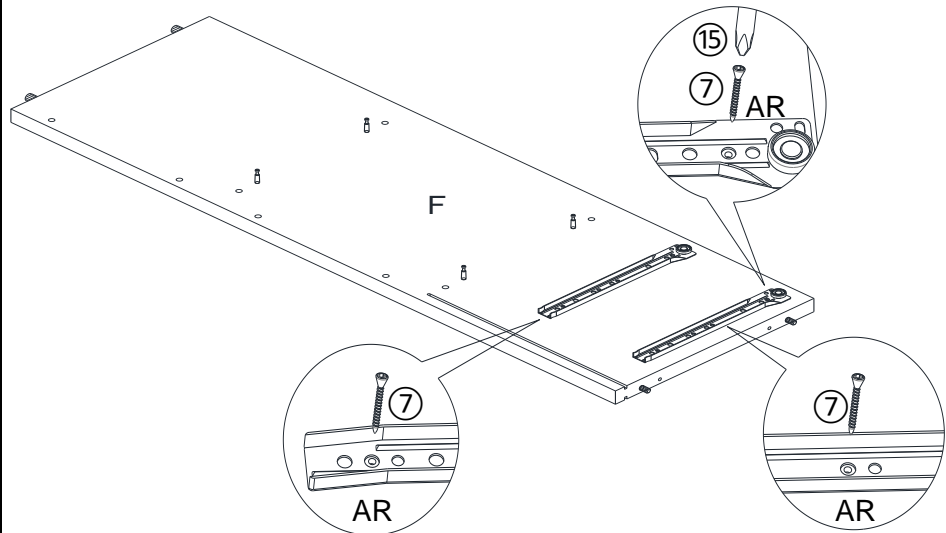


Attach Drawer Left Side Rail (AL) to Side Panel Left (D) using Screws(⑦) with Screwdriver(⑮) where indicated.

Note: There are pre-existing mounting positions on the Side Panel Left (D) to attach the Drawer Left Side Rail (AL).

Tighten the Screws fully in a sequential manner.

Step 5

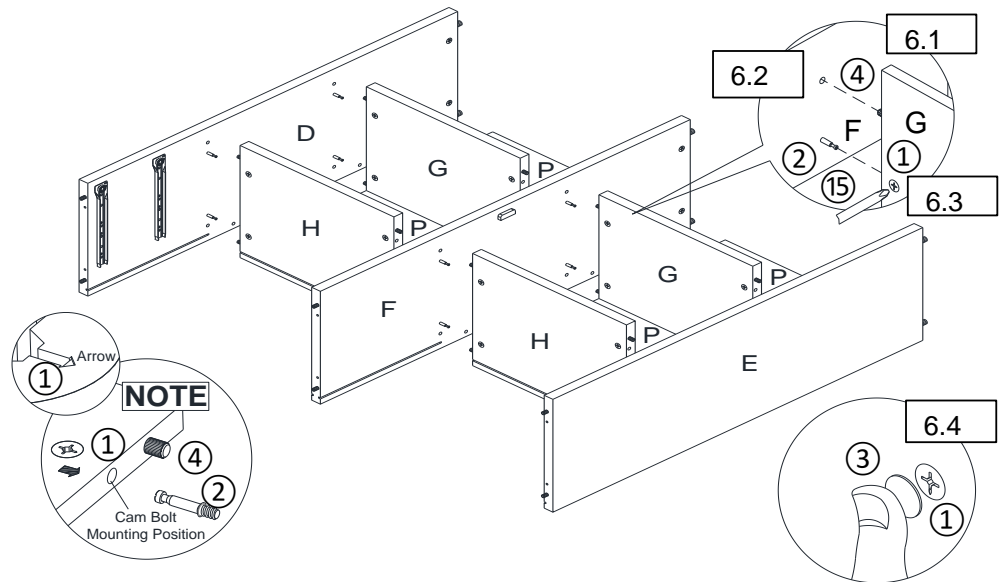


Attach Drawer Right Side Rail (AR) to Center Panel (F) using Screws(⑦) with Screwdriver(⑮) where indicated.

Note: There are pre-existing mounting positions on the Center Panel (F) to attach the Drawer Right Side Rail (AR).

Tighten the Screws fully in a sequential manner.

Step 6



6.1) Insert Positioning Dowel(④) from Middle Panel-Up (G), Middle Panel-Down (H) and Back Support (P) into mounting position on Side Panel Left (D), Side Panel Right (E) and Center Panel (F).

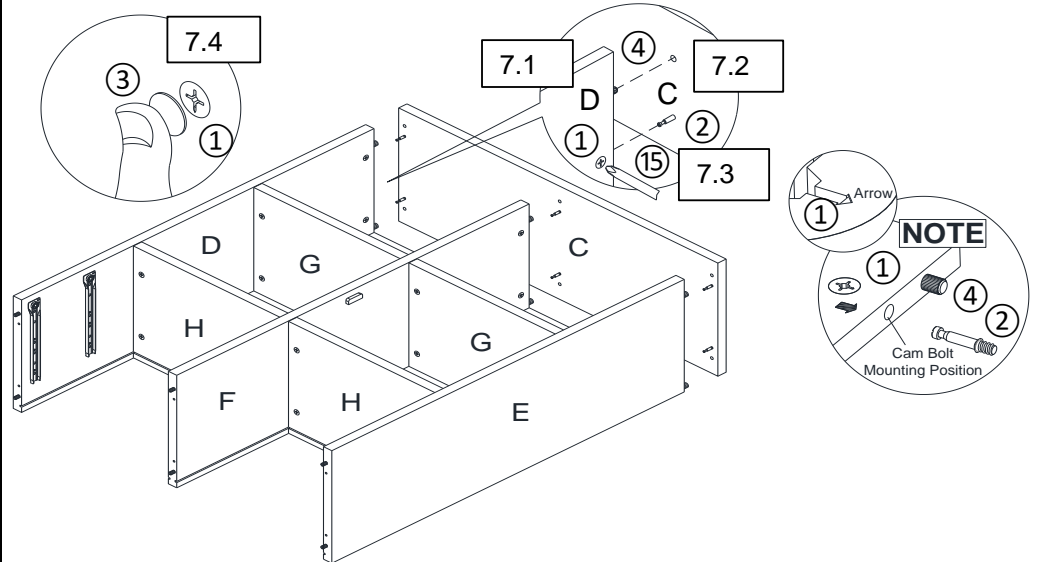
Note: Ensure the arrow on Cam Lock head points towards the Cam Bolt mounting position.

6.2) Insert the Cam Bolt(②) on Side Panel Left (D), Side Panel Right (E) and Center Panel (F) into mounting position on Middle Panel-Up (G) and Middle Panel-Down (H).

6.3) Turn the Cam Lock(①) clockwise with the Screwdriver(⑮) until it locks into place.

6.4) Insert Cam Cap(③) to cover the Cam Lock(①) by hand.

Step 7



7.1) Insert Positioning Dowels(④) from Side Panel Left (D), Side Panel Right (E) and Center Panel (F) into mounting positions on Top Panel (C).

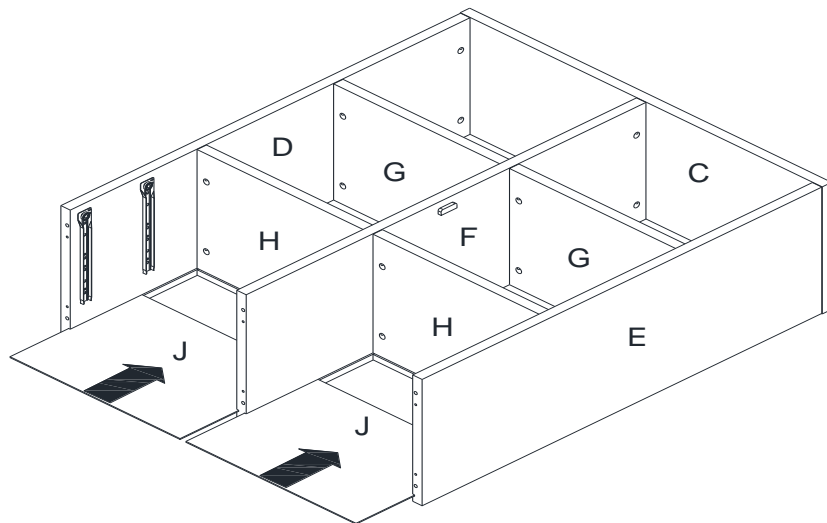
Note: Ensure the arrows on Cam Locks head points towards the Cam Bolt mounting positions.

7.2) Insert the Cam Bolts(②) on Top Panel (C) into mounting positions on Side Panel Left (D), Side Panel Right (E) and Center Panel (F).

7.3) Turn the Cam Locks(①) with the Screwdriver(⑮) until they all lock into place.

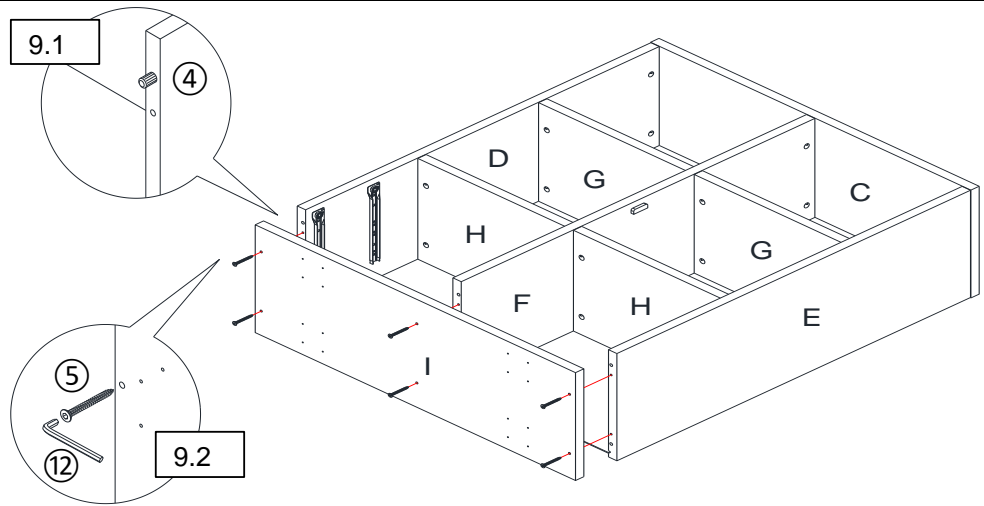
7.4) Insert Cam Cap(③) to cover the Cam Lock(①) by hand.

Step 8



Insert Back Panel (J) along the slot on Middle Panel-Down (H), Side Panel Left (D), Side Panel Right (E) and Center Panel (F).

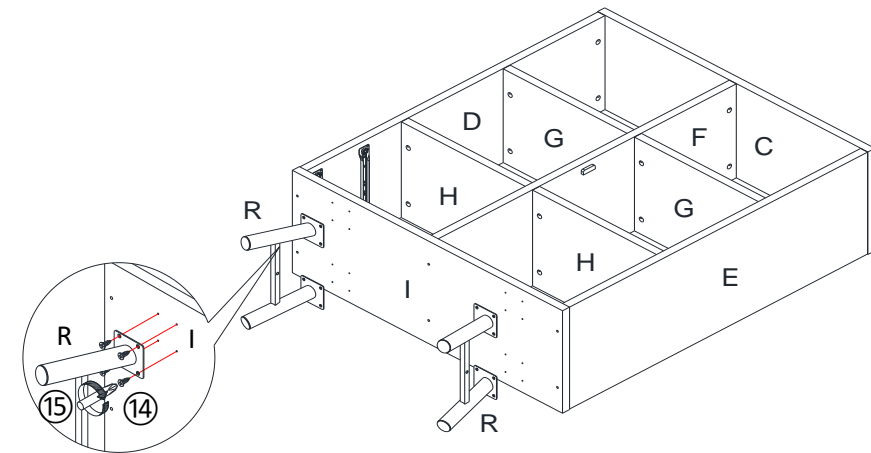
Step 9



9.1) Insert Positioning Dowels(④) from Side Panel Left (D), Side Panel Right (E) and Center Panel (F) into mounting positions on Bottom Panel (I).

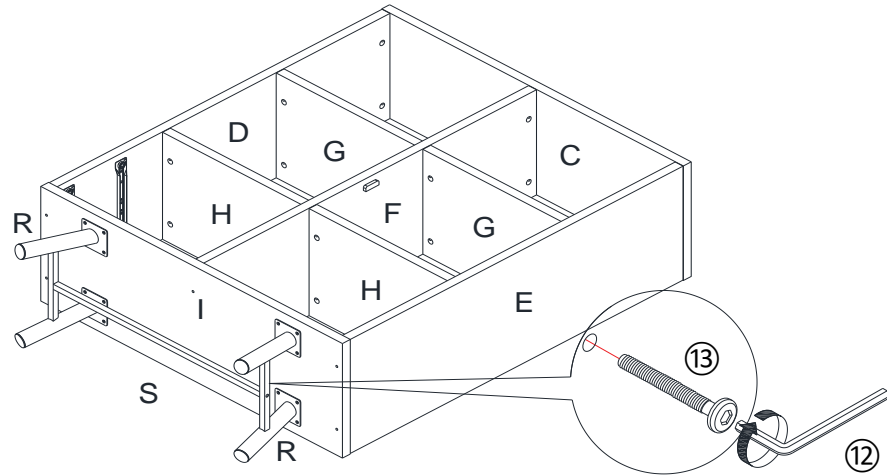
9.2) Attach Bottom Panel (I) to Bookcase Assembly using Cap Wood Screws(⑤) with Allen Key(⑫).

Step 10



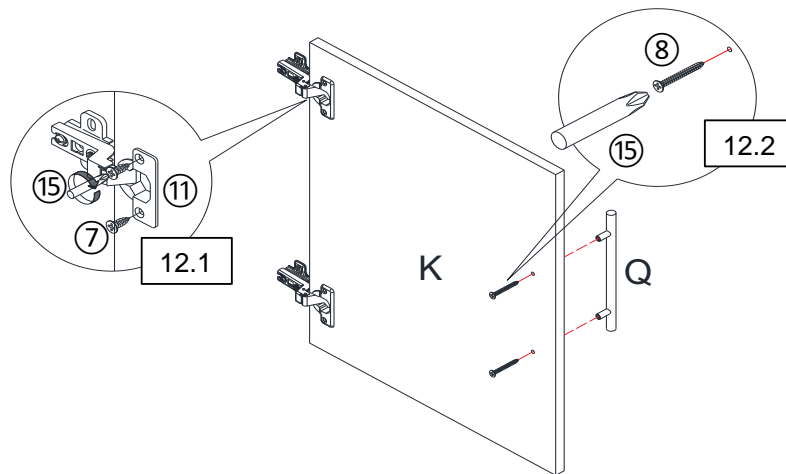
Attach Metal Leg (R) to Bottom Panel (I) using Screw(⑭) with Screwdriver(⑮).

Step 11



Attach Metal Leg (R) to Metal Support (S) using Bolt(13) with Allen Key(12).

Step 12



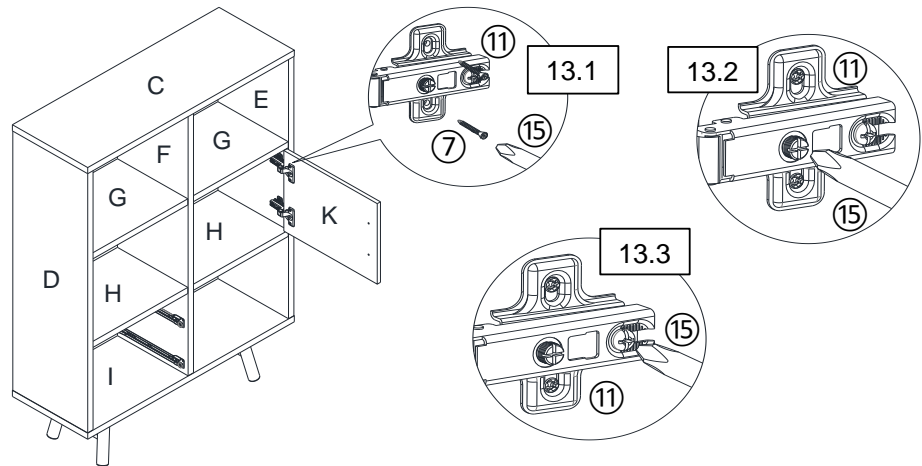
12.1) Attach Connectors(11) to Door Panel (K) using Screws(7) with Screwdriver(15).

12.2) Attach Handles (Q) to Door Panel (K) using Handle Screws(8) with Screwdriver(15).

Tighten the Screws fully in a sequential manner.

Note: There are pre-existing mounting positions on the Door Panel (K) to attach the Connectors and Handles.

Step 13



13.1) Attach Connectors(⑪) to Side Panel Right (E) using Screws(⑦) with Screwdriver(⑮).

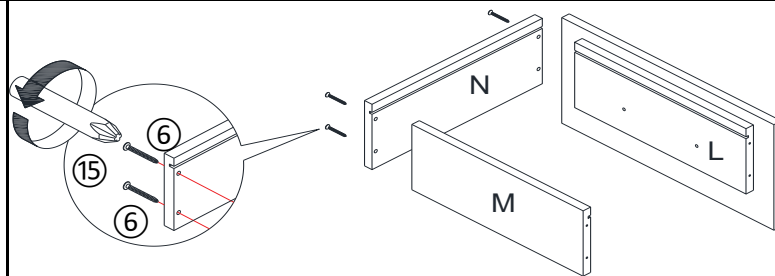
Tighten the Screws fully in a sequential manner.

13.2) Rotate first screw on Connectors(⑪) to adjust left-right position of Door Panel (K) when necessary.

13.3) Rotate second screw on Connectors(⑪) to adjust in-out position of Door Panel (K) when necessary.

Note: There are pre-existing mounting positions on the Side Panel Right (E) to attach the Connectors.

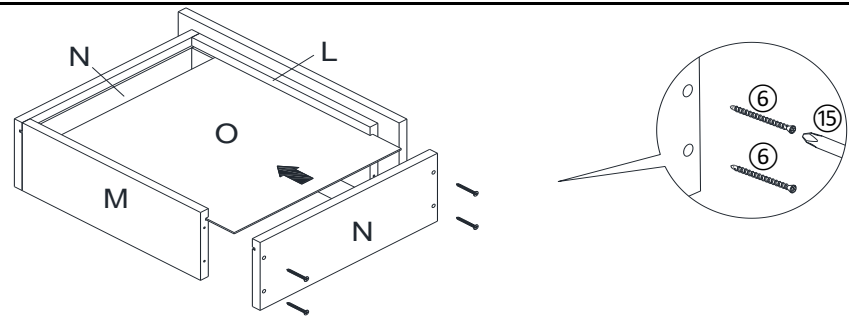
Step 14



Attach Drawer Side Panel (N) to Drawer Front Panel (L) and Drawer Back Panel (M) using Screws(⑥) with Screwdriver(⑮).

Tighten the Screws fully in a sequential manner.

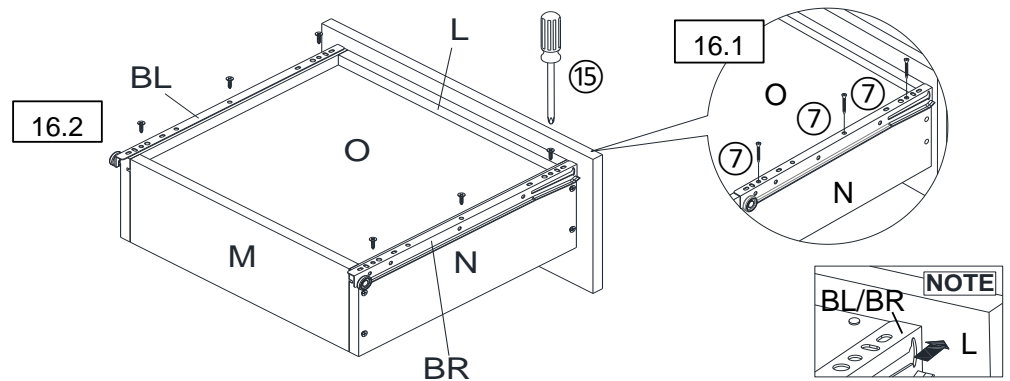
Step 15



Attach Drawer Bottom Panel (O) to Drawer Assembly, attach Drawer Side Panel (N) to Drawer Front Panel (L) and Drawer Back Panel (M) using Screws (6) with Screwdriver (15).

Tighten the Screws fully in a sequential manner.

Step 16

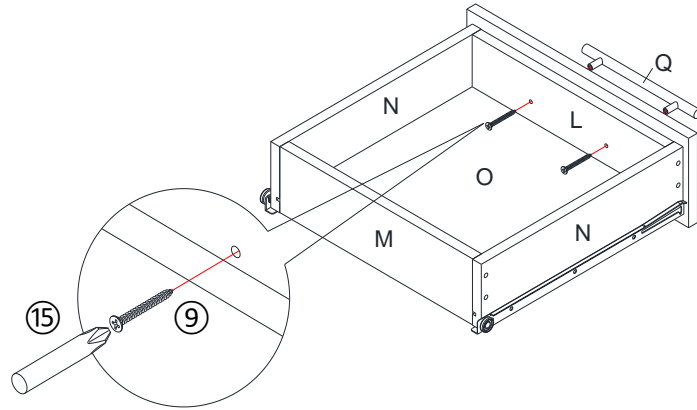


16.1) Attach Drawer Right Bottom Rail (BR) to Drawer Side Panel (N) using Screws (7) with Screwdriver (15) where indicated.

16.2) Repeat the same process on the Drawer Left Bottom Rail (BL).

Tighten the Screws fully in a sequential manner.

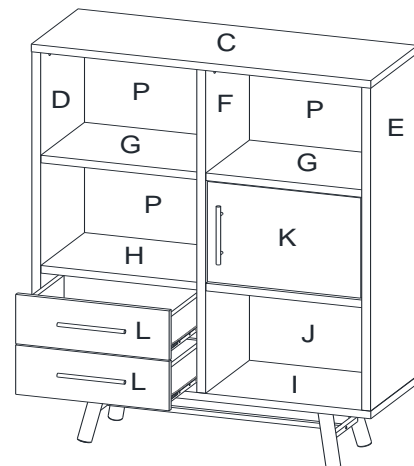
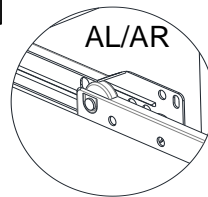
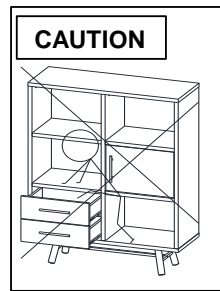
Step 17



Attach Handle (Q) to Drawer Front Panel (L) using Handle Screws (9) with Screwdriver (15).

Tighten the Screws fully in a sequential manner.

Step 18



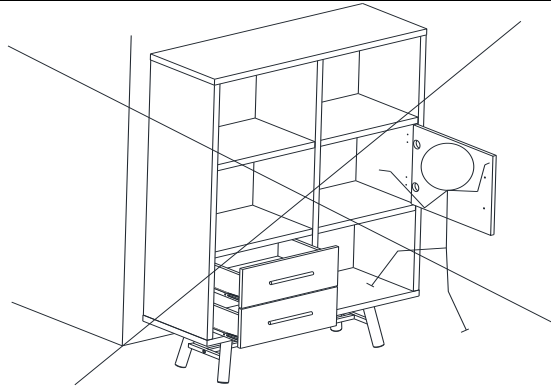
Put Drawer Assembly in place by aligning the rails.

Cabinet Restraint Device Installation Instructions

WARNING

Serious or fatal crushing injuries can occur from tipping furniture.
To help prevent tip-over: ALWAYS secure this furniture to the wall using Cabinet Restraint Device.

See product instructions for more ways to help prevent furniture tip-over.

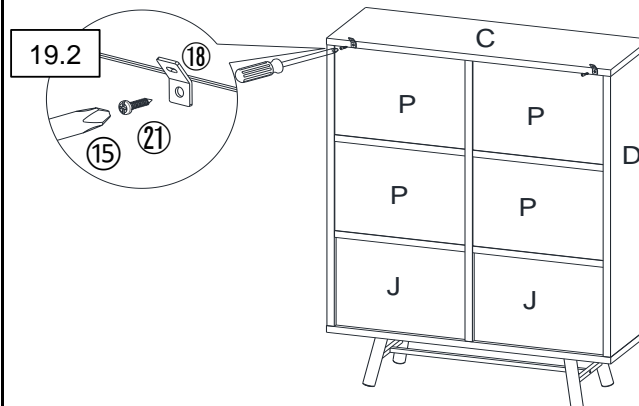


Usage For Cabinet Restraint Device:

To secure Cabinet against wall, attach two Metal Brackets(18) on wall and product, use Cabinet Restraint Strap(22) to connect the Metal Brackets(18).

Instructions:

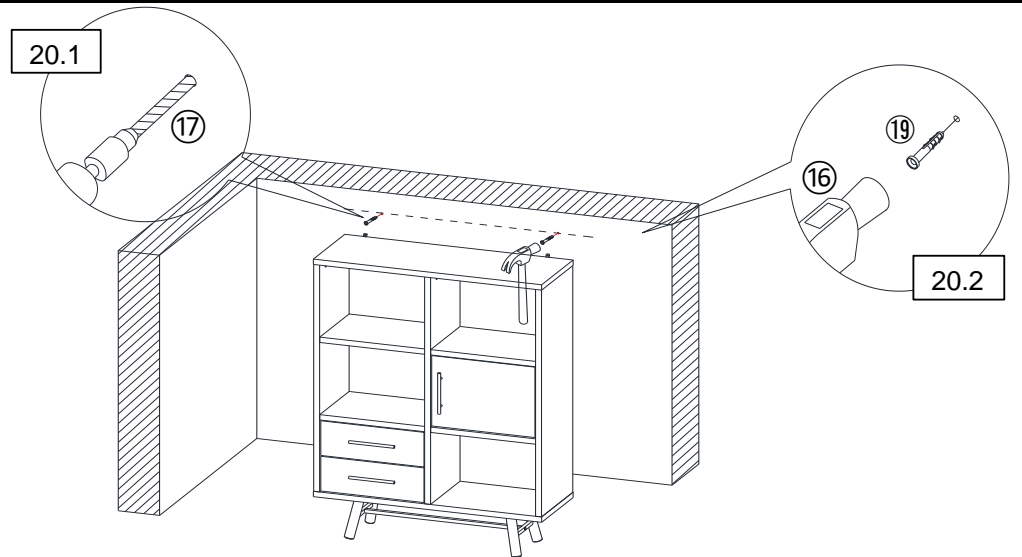
Step 19



19.1) Turn the Cabinet so the back side faces you.

19.2) Attach Metal Brackets(18) to Top Panel (C), where labeled, using Pan Head Screws(21) with Screwdriver(15).

Step 20



20.1) Drill two holes on wall at same height as Metal Brackets(18) on Cabinet with Power Drill(17).

You can mark these points in two ways as below:

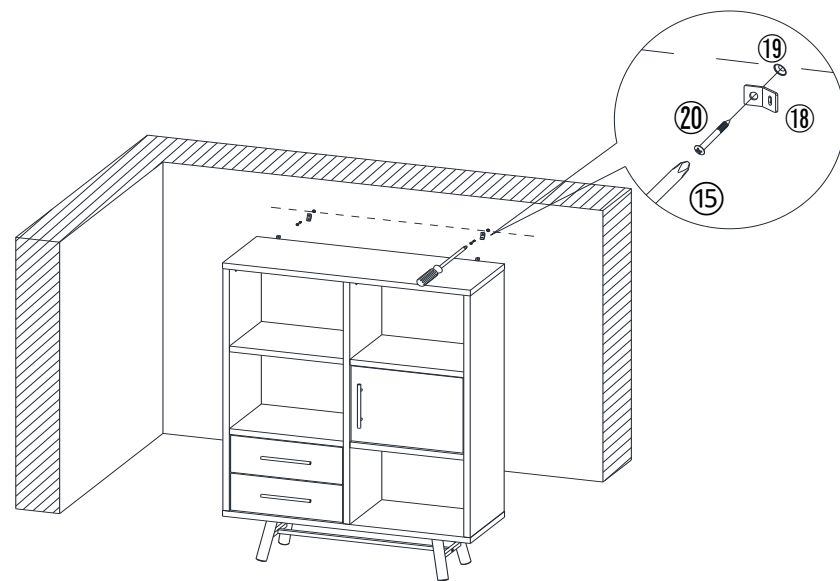
1) Move the Cabinet back to the wall. Mark two points same height as Cabinet on the wall.

Note: The Metal Brackets (18) need to be secured to solid, load bearing surface. Please use a Stud Finder(not supplied) if needed to locate the Wall Frame.

2) Measure the height of the Metal Brackets(18) with ruler/measuring tape and mark on wall to keep them accurate and same height.

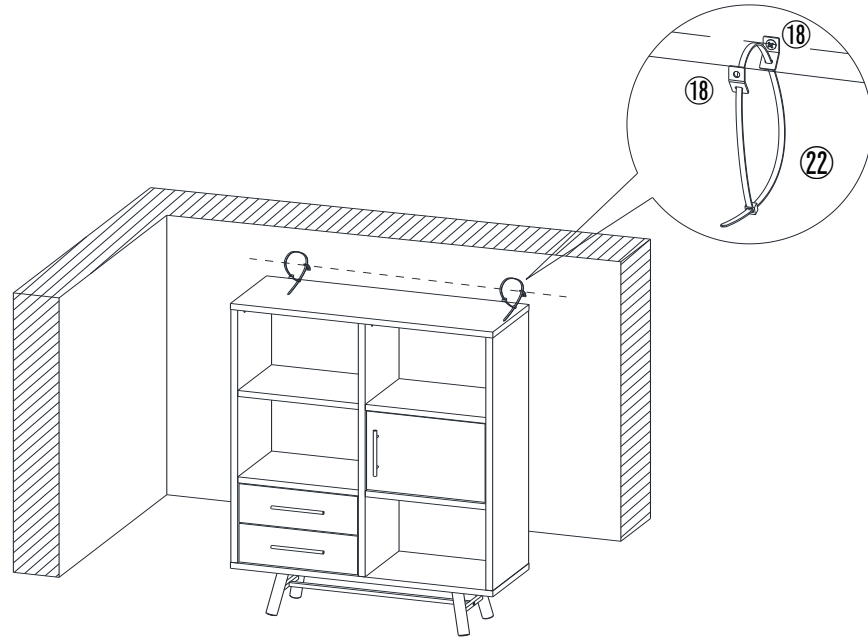
20.2) Insert Wall Plugs(19) into drilled holes on wall with Hammer(16).

Step 21



Attach Metal Brackets(18) to Wall Plugs(19) using Wall Plug Screws(20) with Screwdriver(15).

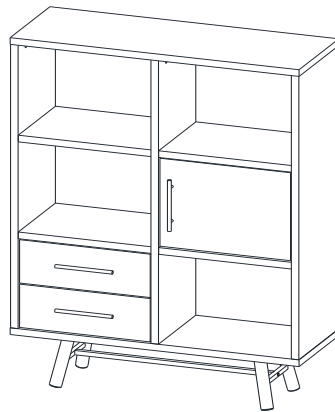
Step 22



Move Cabinet to the wall.

Pull the Cabinet Restraint Straps (22) through the Metal Brackets(18) on the wall and Cabinet one by one, and pull the Cabinet Restraint Straps (22) tight.











Step 23



Your Cabinet is ready for use.

This Cabinet can only be used on a flat, level surface.

Care & Maintenance

- ⊘  ● Do not put hot items directly on furniture surface
 - ⊘  ● Do not clean furniture with harsh cleansers or polish.
 - ⊘  ● Do not place furniture under direct sunlight.
 - ⊘  ● Do not place furniture near heating or cooling vents.
 - ⊘  ● Do not write on furniture without a padded barrier to protect the surface.
 - ⊘  ● Do not place furniture outside . For indoor use only .
 - ⊘  ● Not for commercial use. For residential use only .
 - ⊘  ● Stains may be removed with mild soap solution and damp cloth.
 - ⊘  ● Children should not climb or jump on the furniture.
-
- ✓  ● Dust and pick-up spills using a clean, non-colored, lint-free cloth .