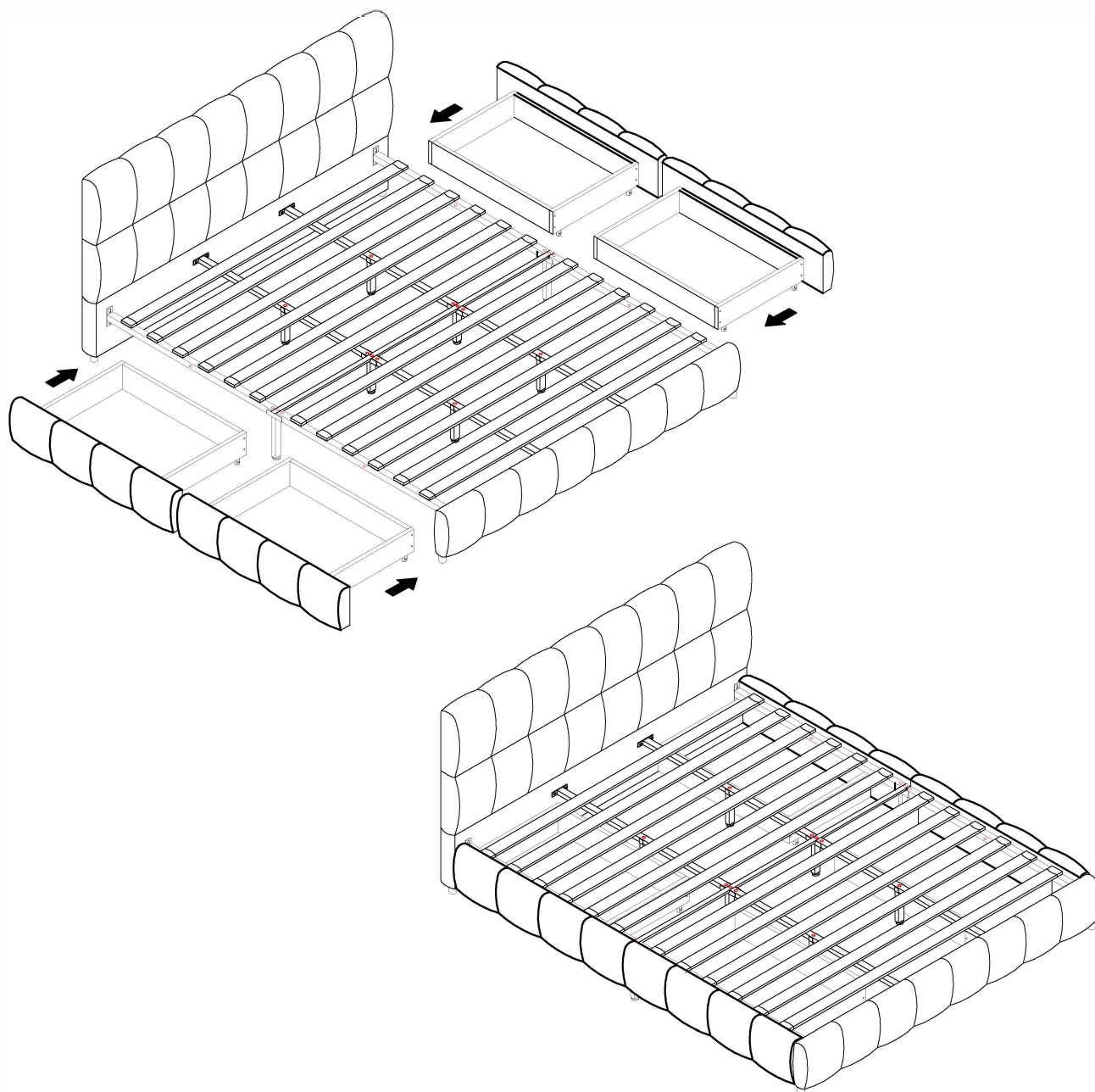


ASSEMBLY INSTRUCTIONS

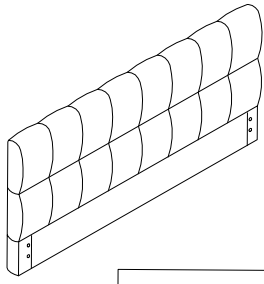
K1 / CK1



Install all screws according to the instructions,
and then tighten them completely.

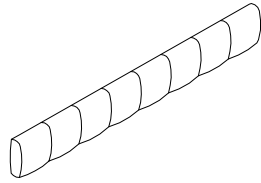
PARTS AND HARDWARE

① Headboard



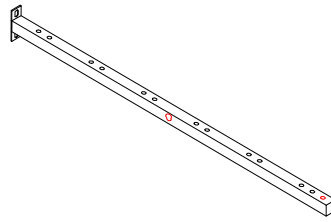
1PC

② Footboard



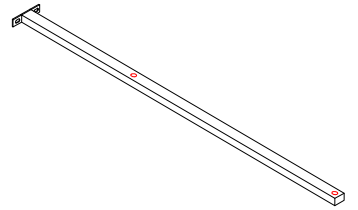
1PC

③ Side Rail Support



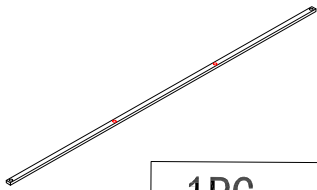
4PCS

④ Center support rail



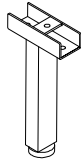
4PCS

⑤ Center cross bar



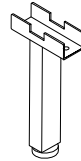
1PC

⑥ Side Rail Feet



2PCS

⑦ Center Support Leg



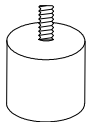
2PCS

⑧ Support Leg



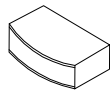
4PCS

⑨ Leg



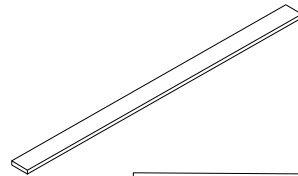
4PCS

⑩ Single Sided Plastic cap



24PCS

⑪ Slat



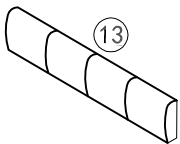
12PCS

⑫



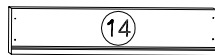
16PCS

⑬



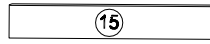
4PCS

⑭



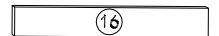
8PCS

⑮



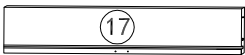
4PCS

⑯



8PCS

⑰



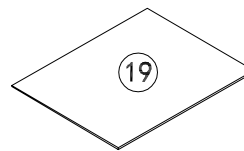
4PCS

⑱



4PCS

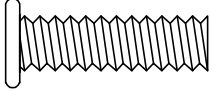

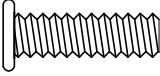

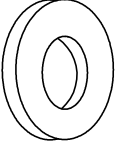

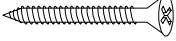
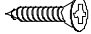
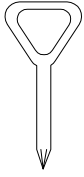
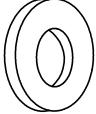

⑲



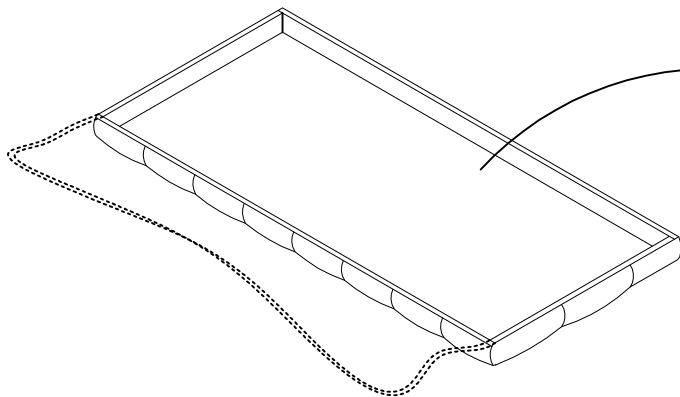
4PCS

PARTS AND HARDWARE

HARDWARE LIST:

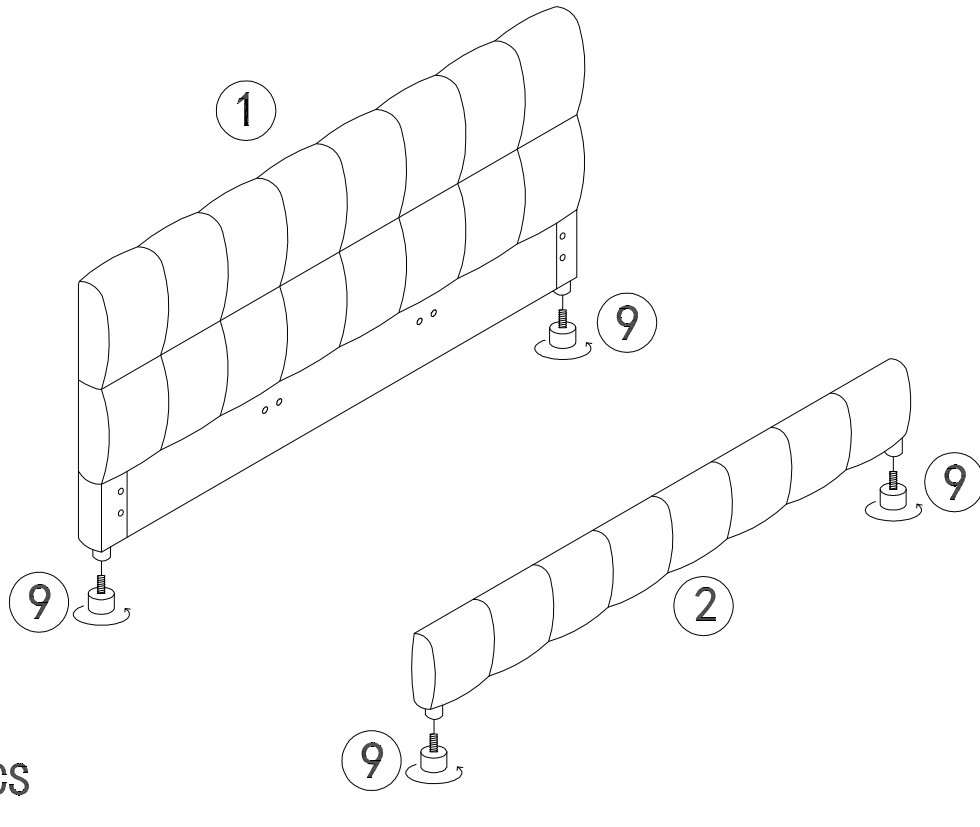
<p>A</p>  <p>m8*30mm 16 PCS</p>	<p>B</p>  <p>m8*45mm 16 PCS</p>	<p>C</p>  <p>M6*30mm 20PCS</p>	<p>D</p>  <p>m8 32PCS</p>
<p>E</p>  <p>m8*19mm 32PCS</p>	<p>F</p>  <p>m8 1PC</p>	<p>G</p>  <p>8*30mm 80 PCS</p>	<p>H</p>  <p>8*15mm 64PCS</p>
<p>I</p>  <p>1PC</p>	<p>J</p>  <p>M6*14mm 16PCS</p>	<p>K</p>  <p>M6 1PC</p>	

STEP :Packing Details

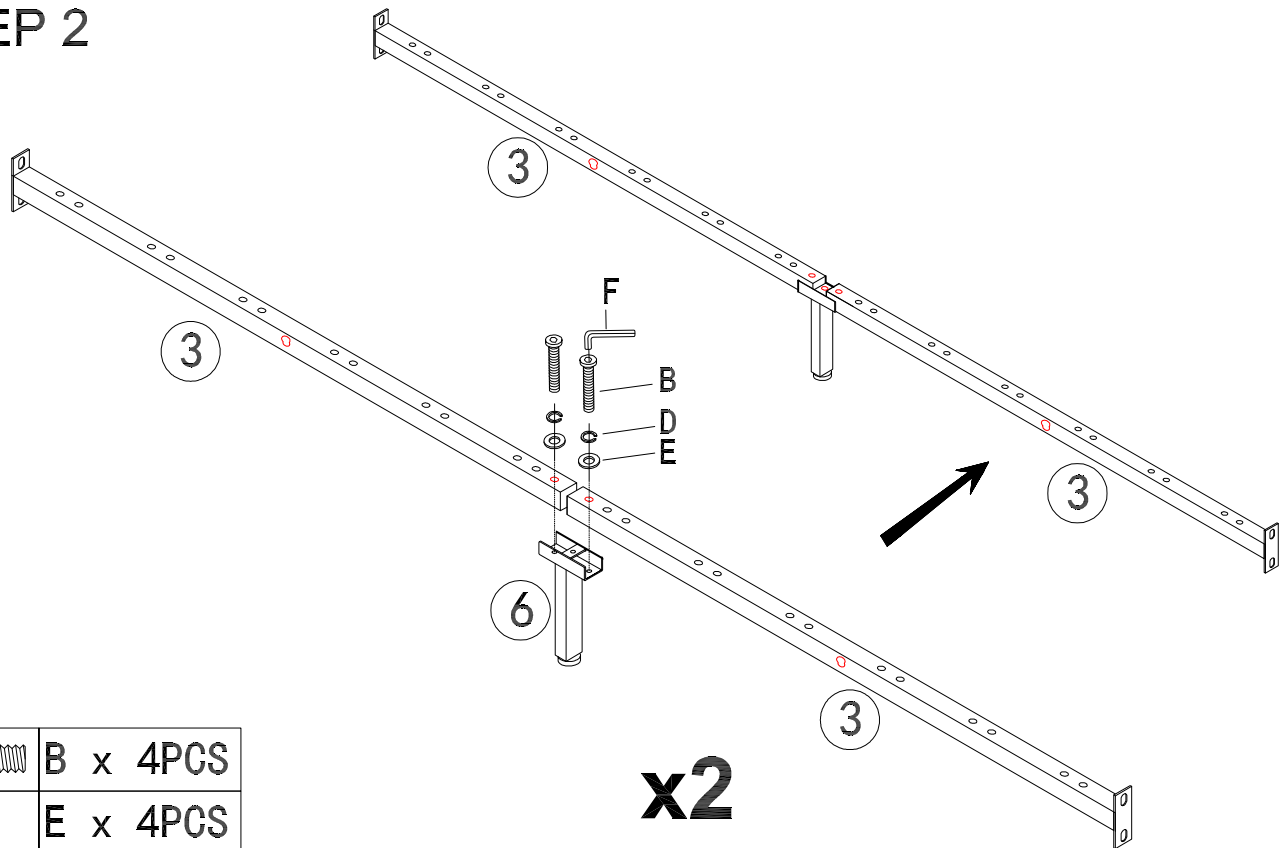






All components inside

STEP 1

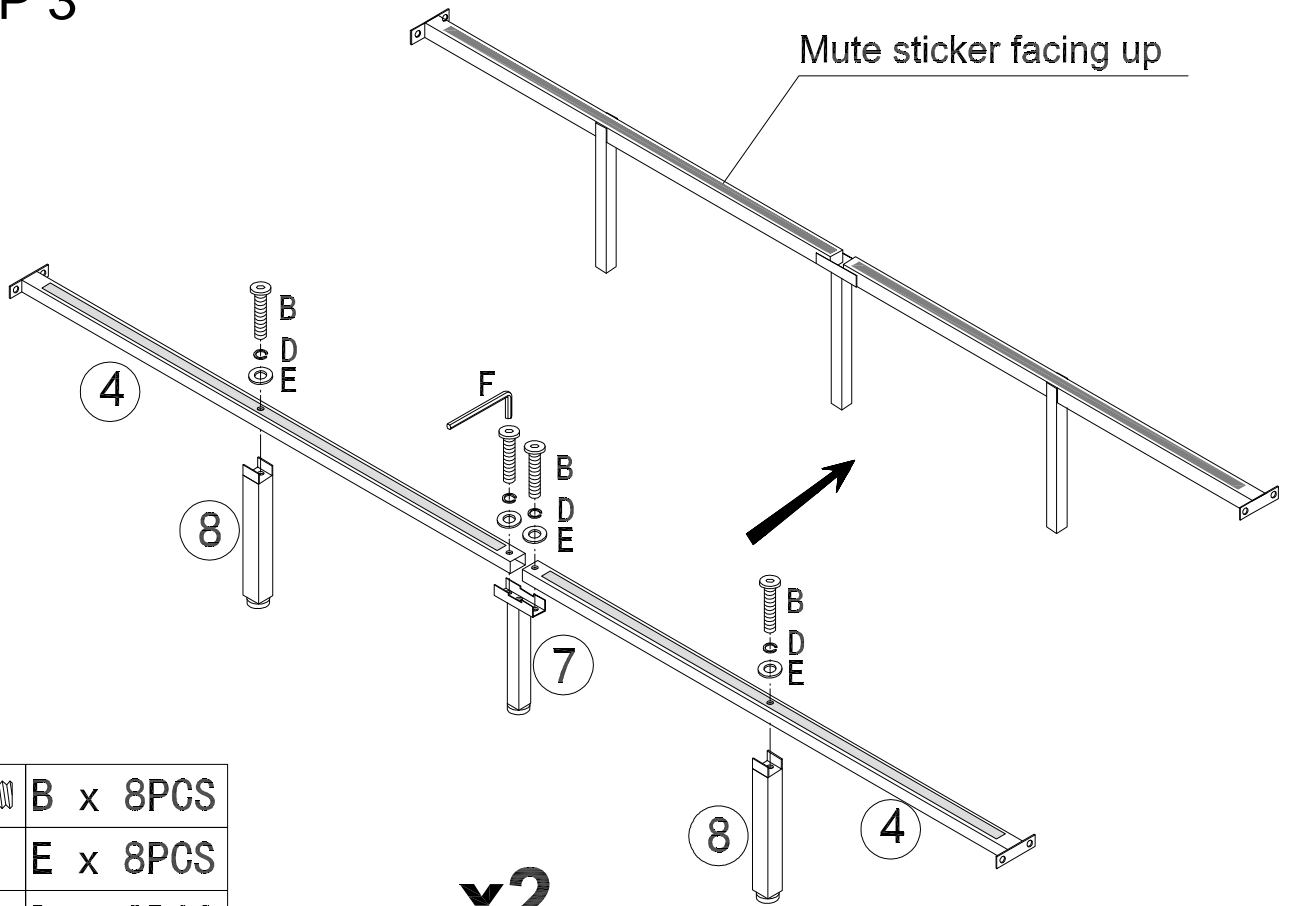


STEP 2







	B x 4PCS
	E x 4PCS
	D x 4PCS
	F x 1PC

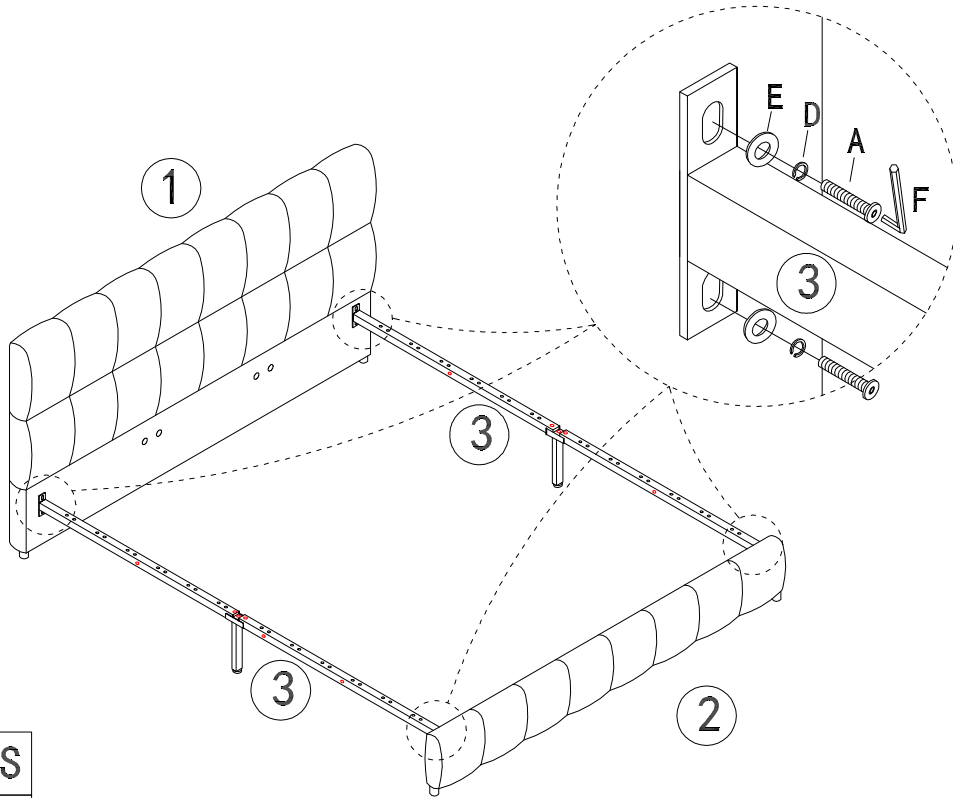
STEP 3







x2

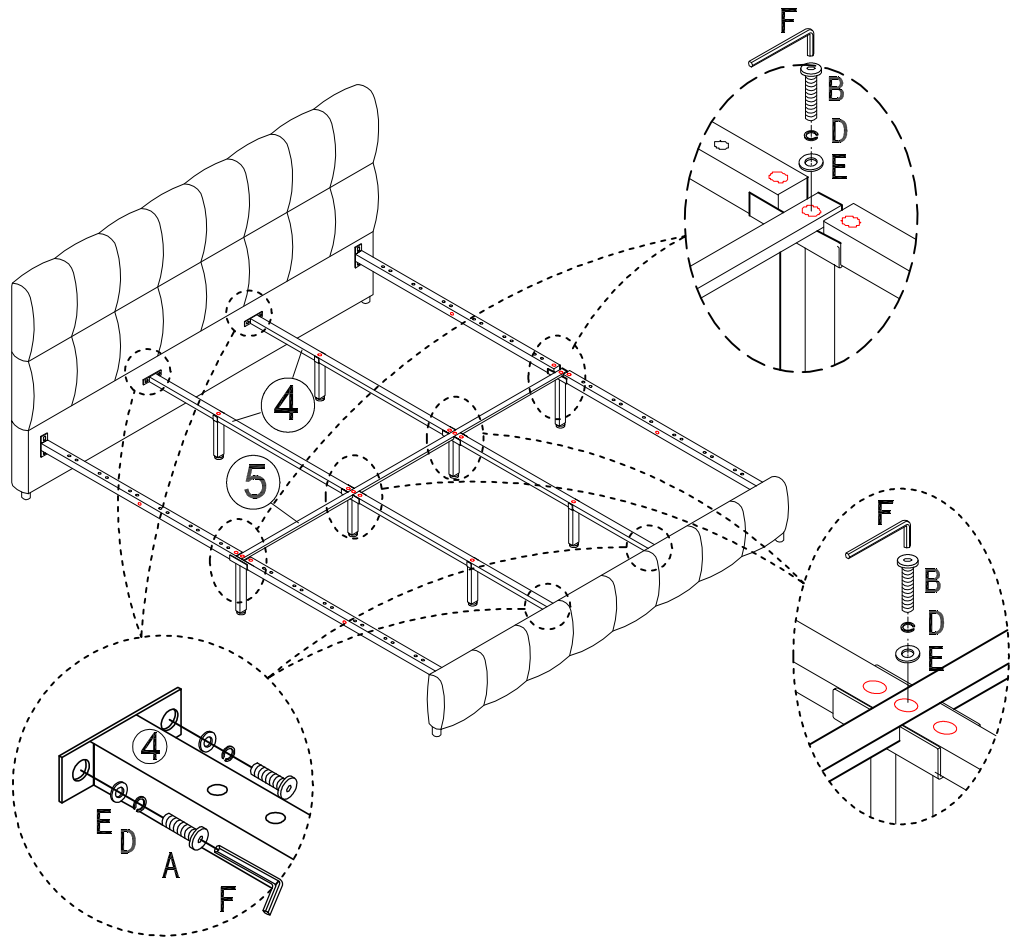
	B x 8PCS
	E x 8PCS
	D x 8PCS
	F x 1PC

STEP 4



	A x 8PCS
	E x 8PCS
	D x 8PCS
	F x 1PC

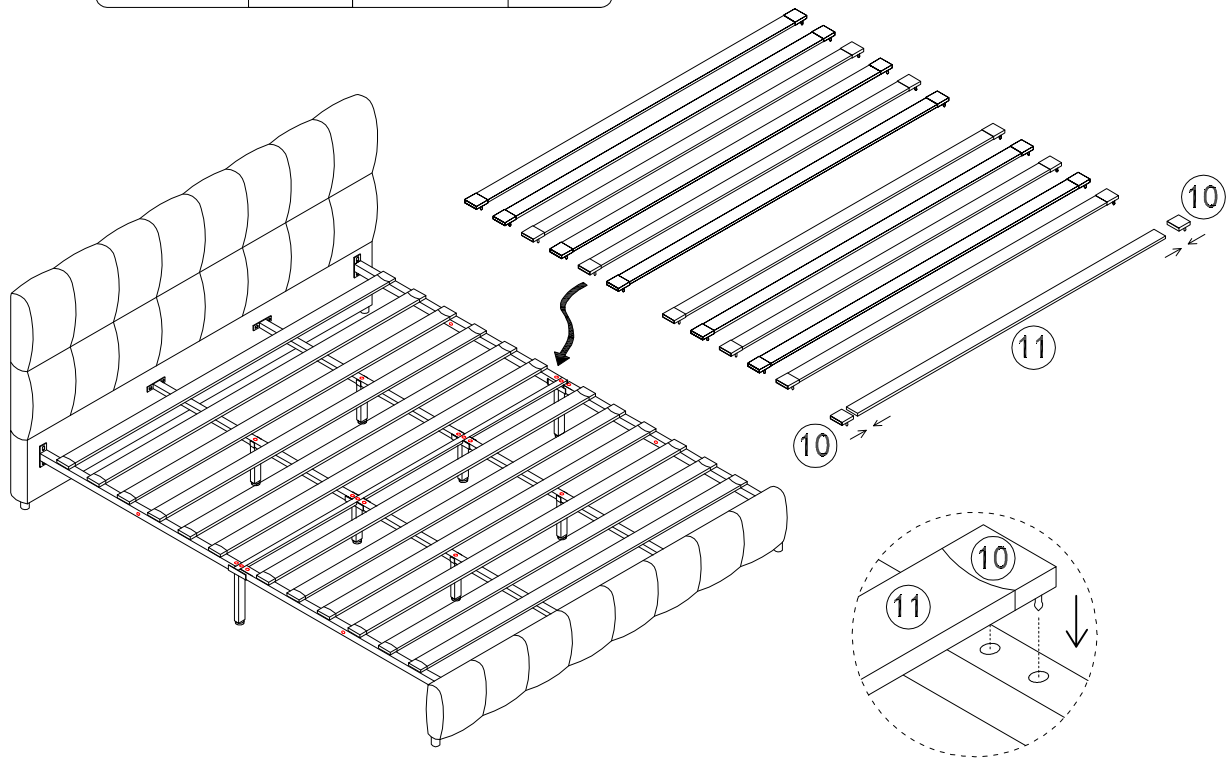
STEP 5



	B x 4 PCS
	A x 8 PCS
	E x 12PCS
	D x 12PCS
	F x 1PC

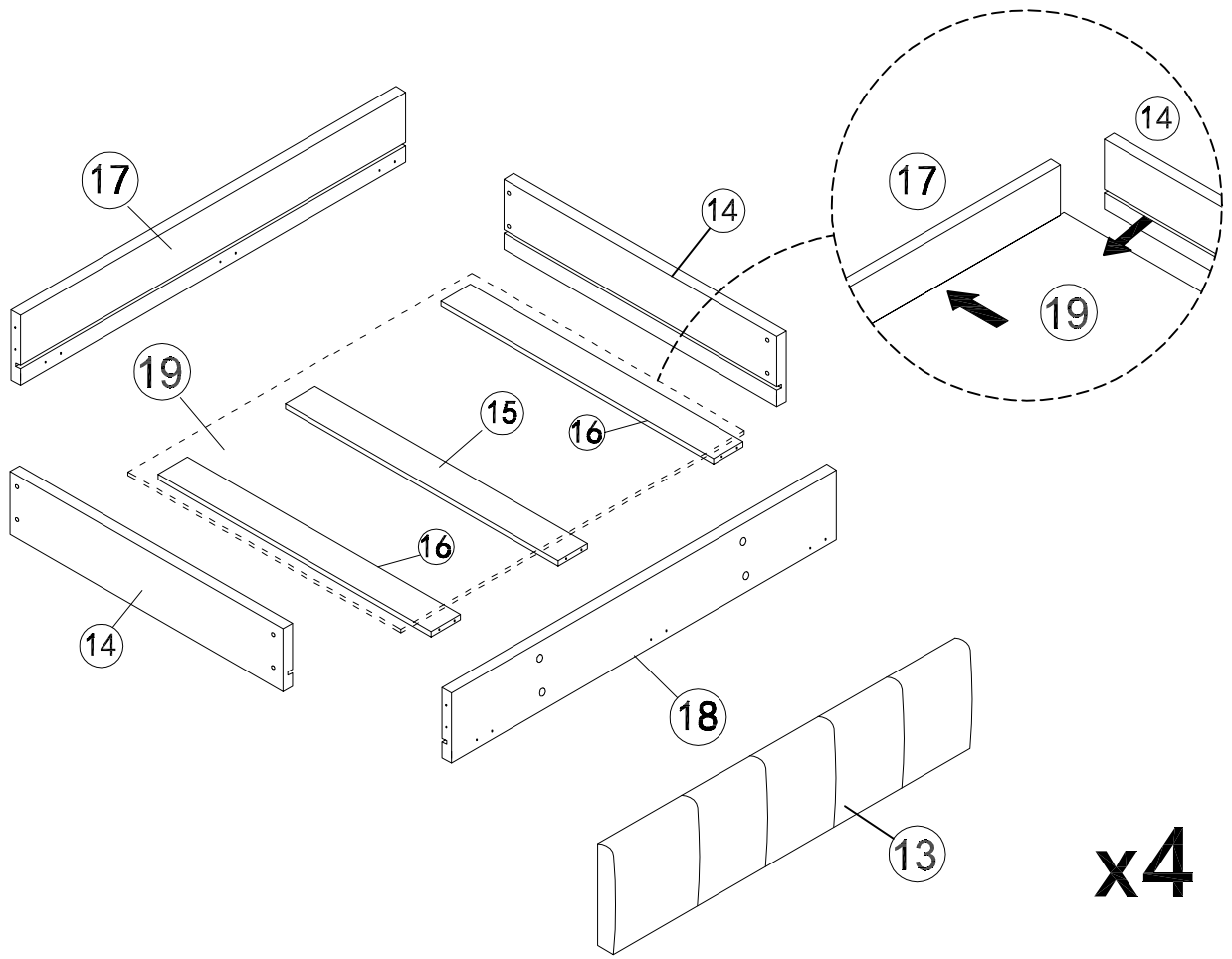
STEP 6

	⑪ Slat		⑩ Single Sided Plastic cap
	12PCS		24PCS

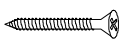
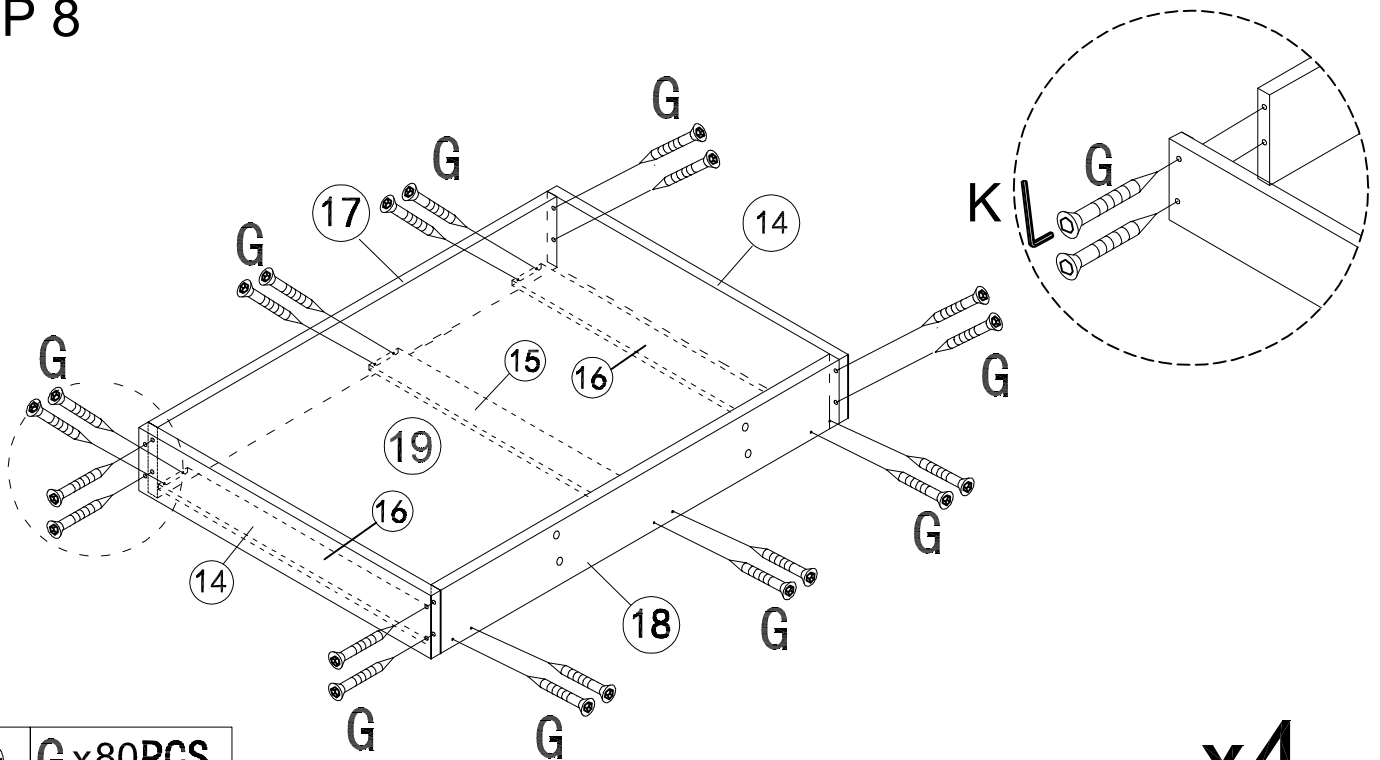


STEP 7

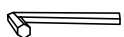
ASSEMBLE DRAWER



STEP 8



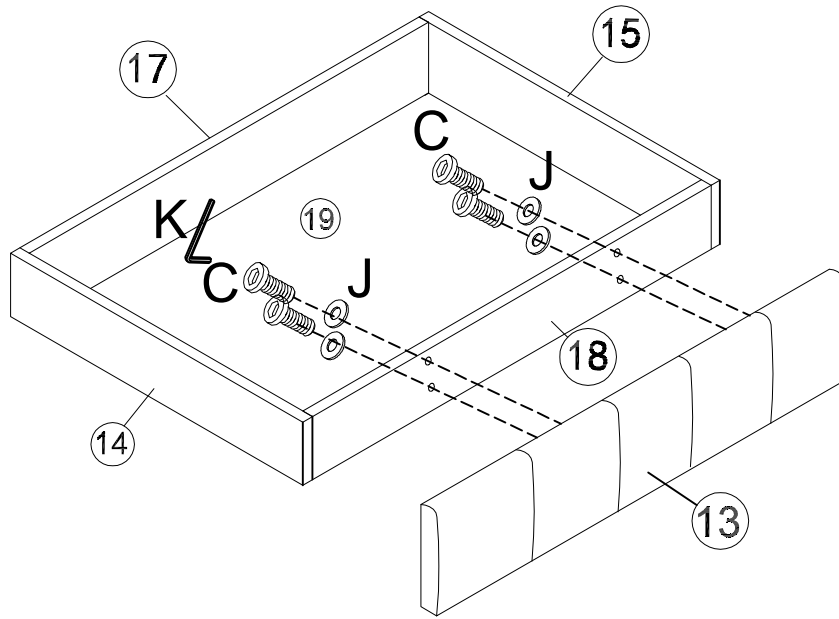
G x80PCS





K x1PC

x4

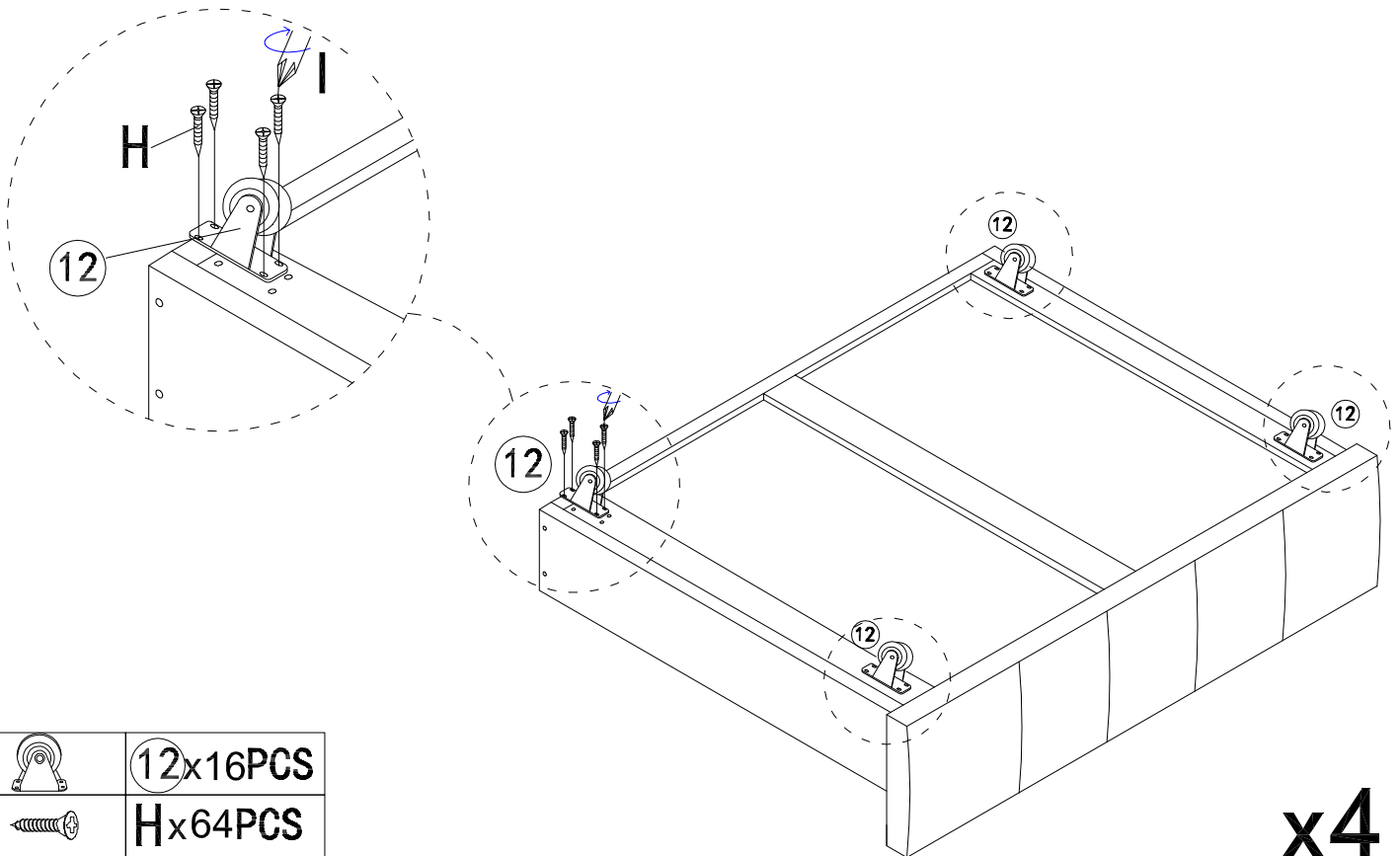
STEP 9


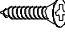
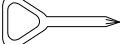


	Cx16PCS
	Jx16PCS

x4

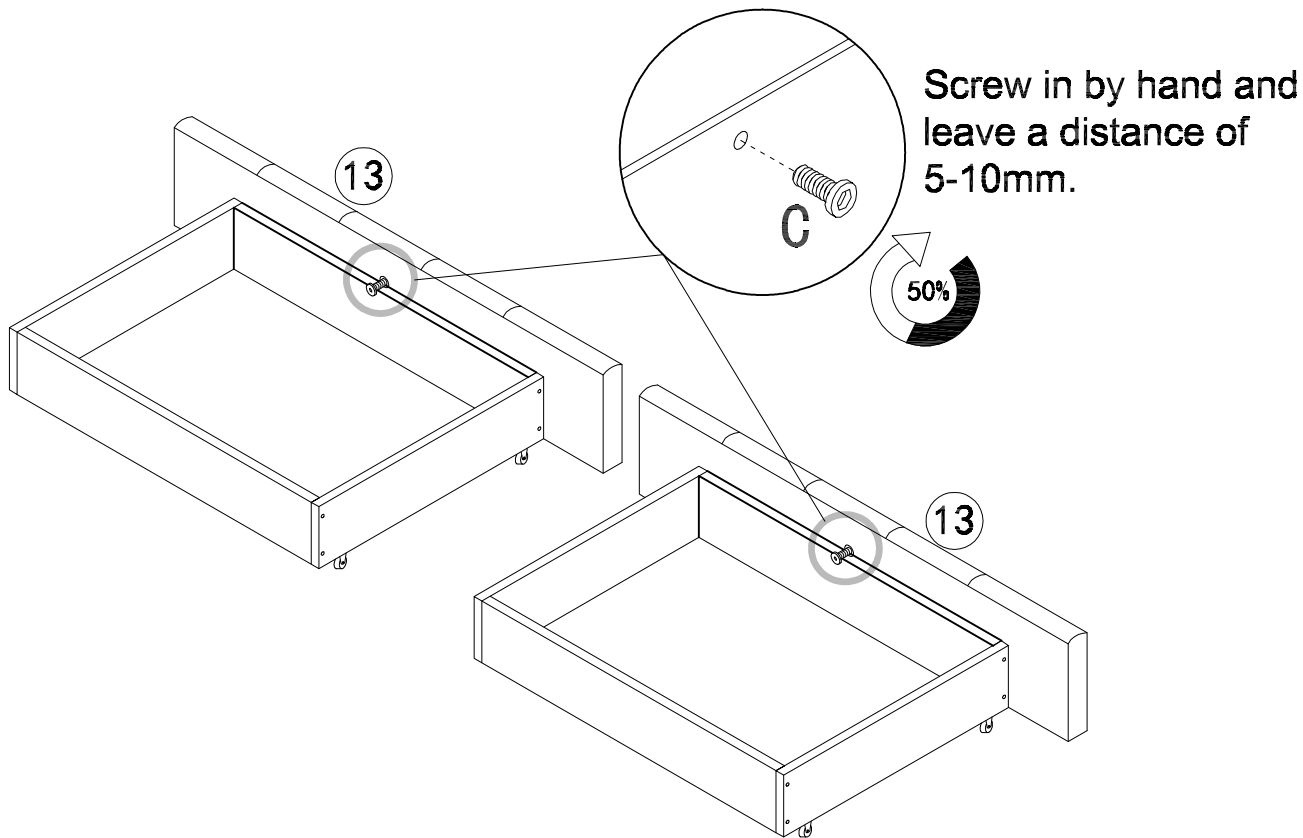
STEP 10



	12x16PCS
	Hx64PCS
	I x1PC

x4

STEP 11



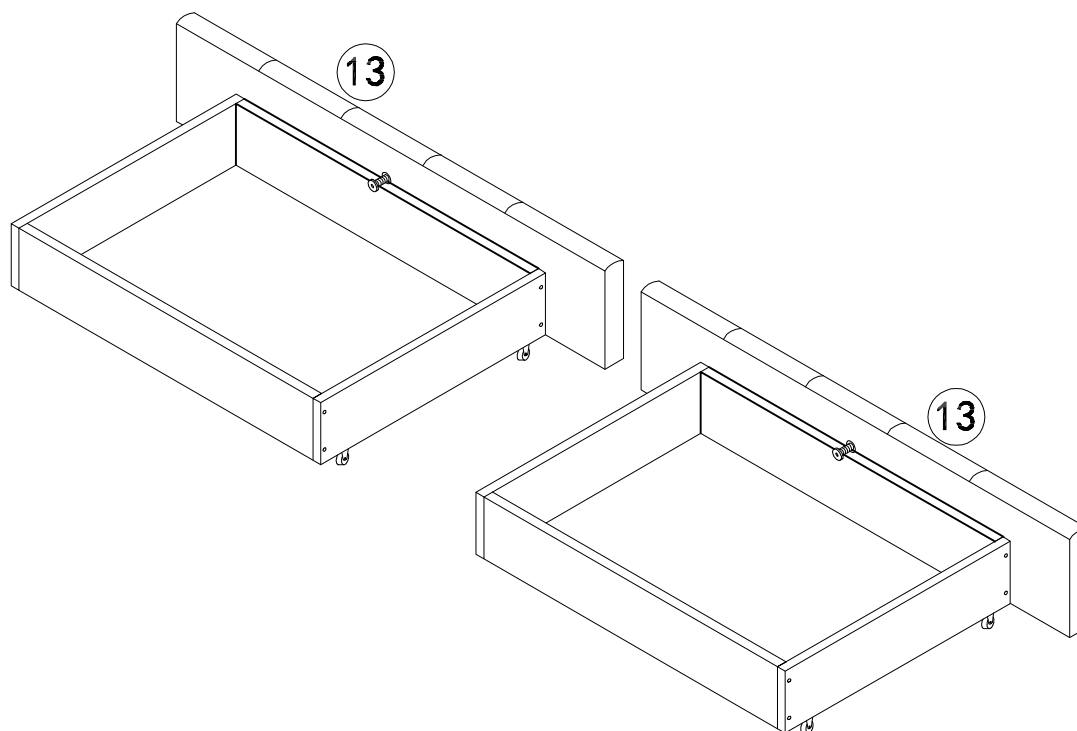
x2



C x4PCS

STEP 12

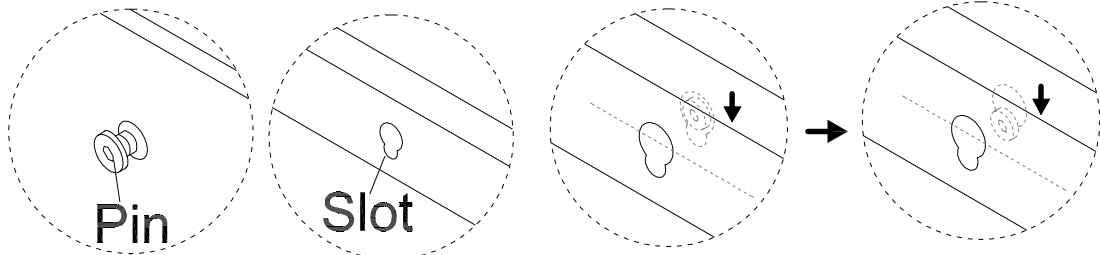
DRAWER ASSEMBLE COMPLETE



x2

STEP 13

Drawer panel screw hang into side cross beam hole.



There is a screw head on the drawer board. Hang them in the hole as shown in the figure.

