

Bed

Assembly Instructions



Safety And Care Advice

Important – Please read these instructions fully before starting assembly.

Please check if all the components and tools listed out are received.

Please remove all fittings from the plastic bags and separate them into homologous groups.

Please keep children and animals away from the working areas; swallow small parts may cause suffocation.

Please make sure you have enough space to lay out the parts before starting.

Do not stand on the product, which could cause damage.

Please assemble the product as close to its final position as possible.

Do not place furniture directly in front of radiators, fires, or any other source of heat.

The assembly will be easier with 2 people.

Please dispose of all packaging carefully and responsibly.



General care and maintenance

Please clean with a damp cloth or mild detergent, do not use bleach or abrasive cleaners.

Do not allow the spill to stay on the surface for a long time.

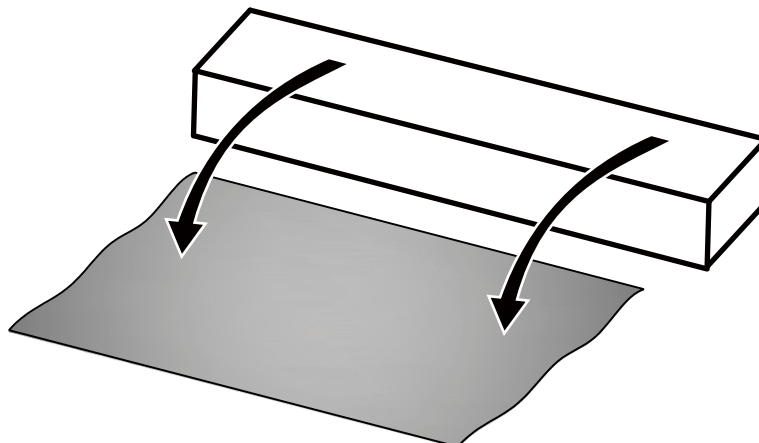
Do not clean with products containing the following: acetone (e.g., nail varnish remover), ammonia (e.g. bleach), or sodium hydroxide (e.g., caustic soda, drain, and oven cleaners).

If the product is accidentally exposed to the irritating liquid, rinse thoroughly with clean water.

Mats can be used to protect surfaces from moisture and heat.

Please check whether there are missing screws in the product regularly.

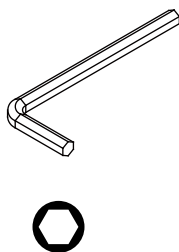
The product should not be discarded with household waste, and please take it to your local authority waste disposal center.



Installation Tools

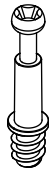

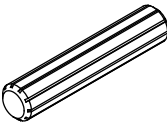
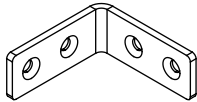
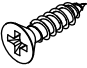
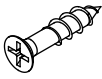
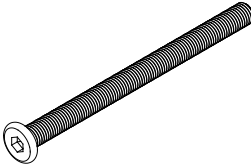
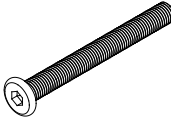
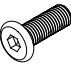
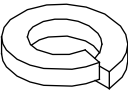
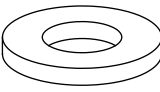
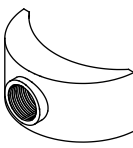
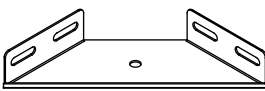
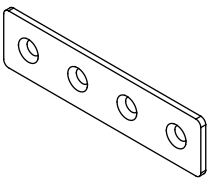
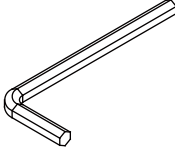
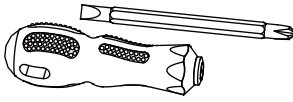


Tools Required :

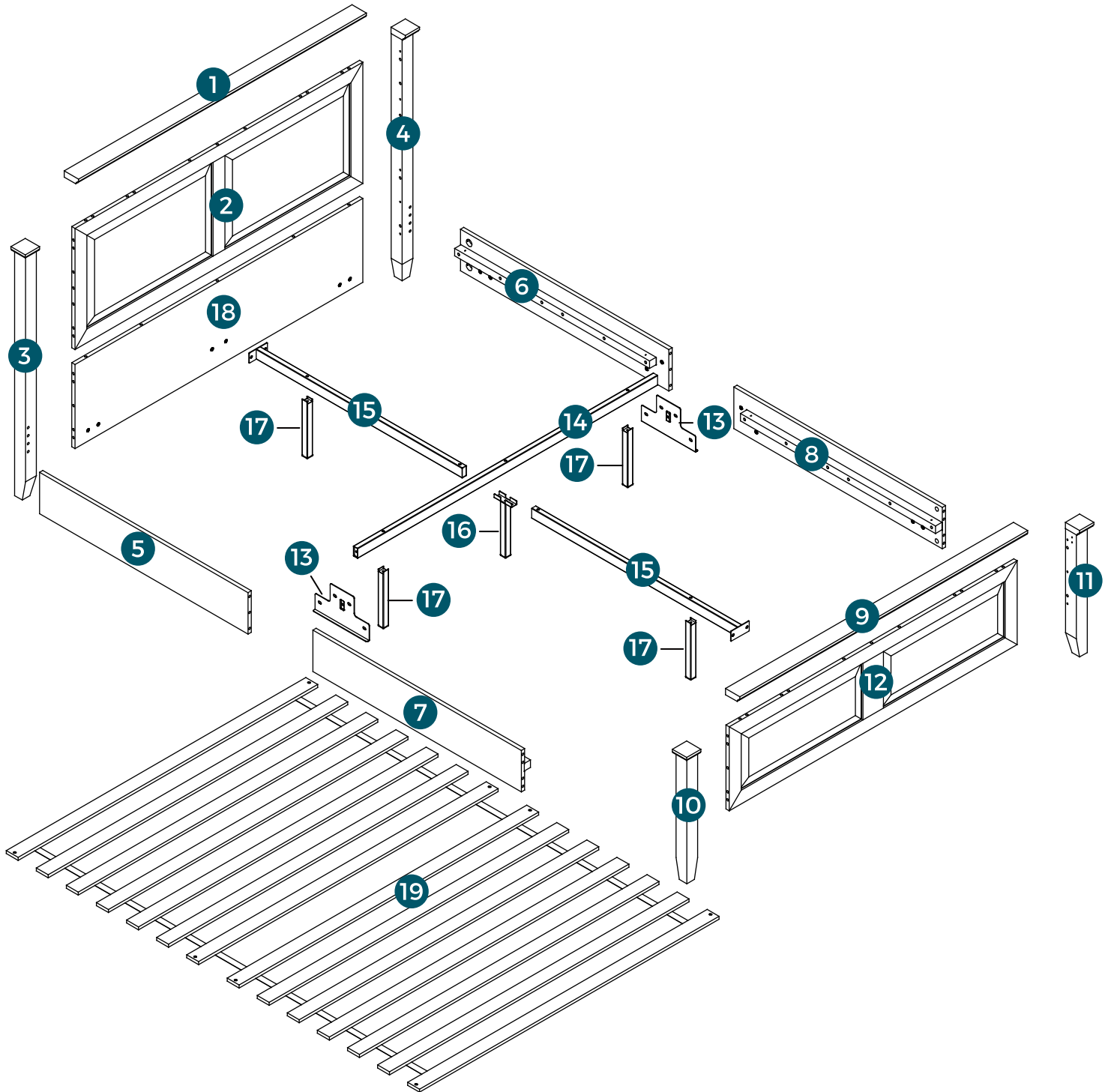


Hardware List

Hardware

<p>A</p>  <p>34x</p>	<p>B</p>  <p>34x</p>	<p>C</p>  <p>Ø8*40 mm 45x</p>	<p>D</p>  <p>50*50*20 mm 4x</p>
<p>E</p>  <p>Ø3.5*14 mm 32x</p>	<p>F</p>  <p>#8*25 mm 28x</p>	<p>G</p>  <p>M6*80 mm 4x</p>	<p>H</p>  <p>M6*55 mm 7x</p>
<p>I</p>  <p>M6*16 mm 30x</p>	<p>J</p>  <p>Ø11*1.5 mm 39x</p>	<p>K</p>  <p>Ø16*1.5 mm 39x</p>	<p>L</p>  <p>24.5*11.3*7.5 mm 4x</p>
<p>M</p>  <p>4x</p>	<p>N</p>  <p>80*20 mm 4x</p>	<p>O</p>  <p>1x</p>	<p>P</p>  <p>1x</p>

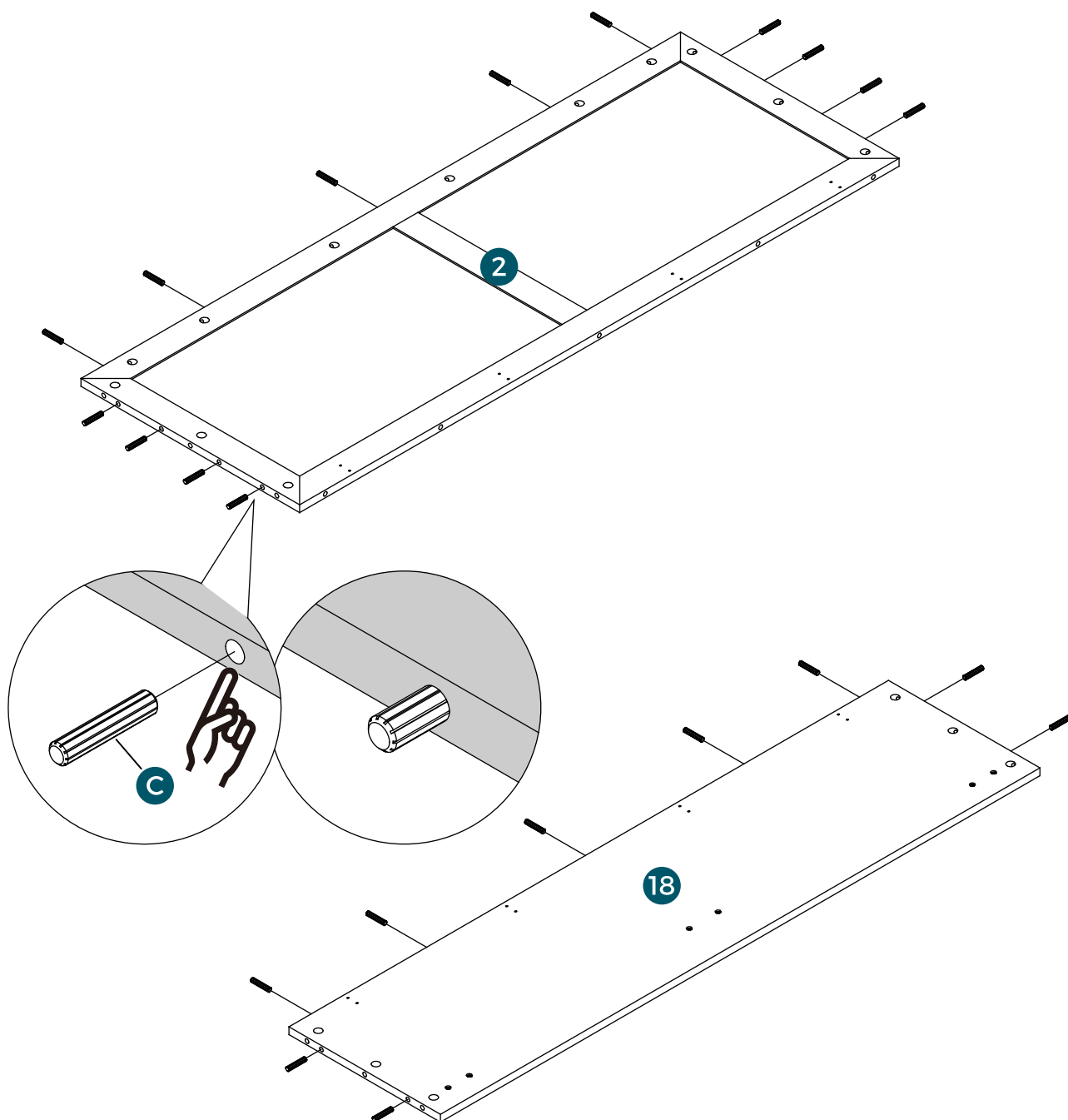
Parts List



Assembly Instructions

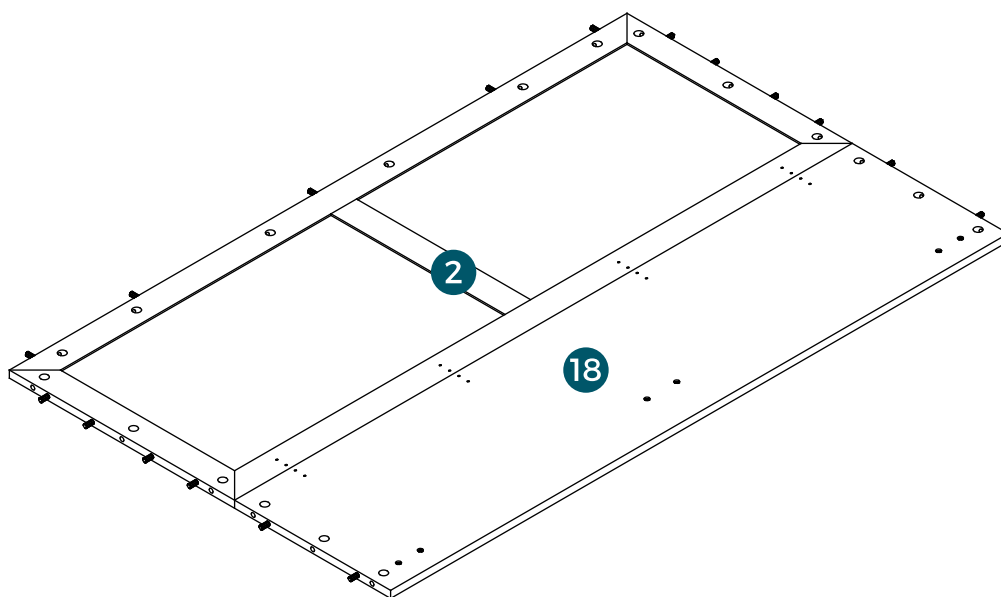
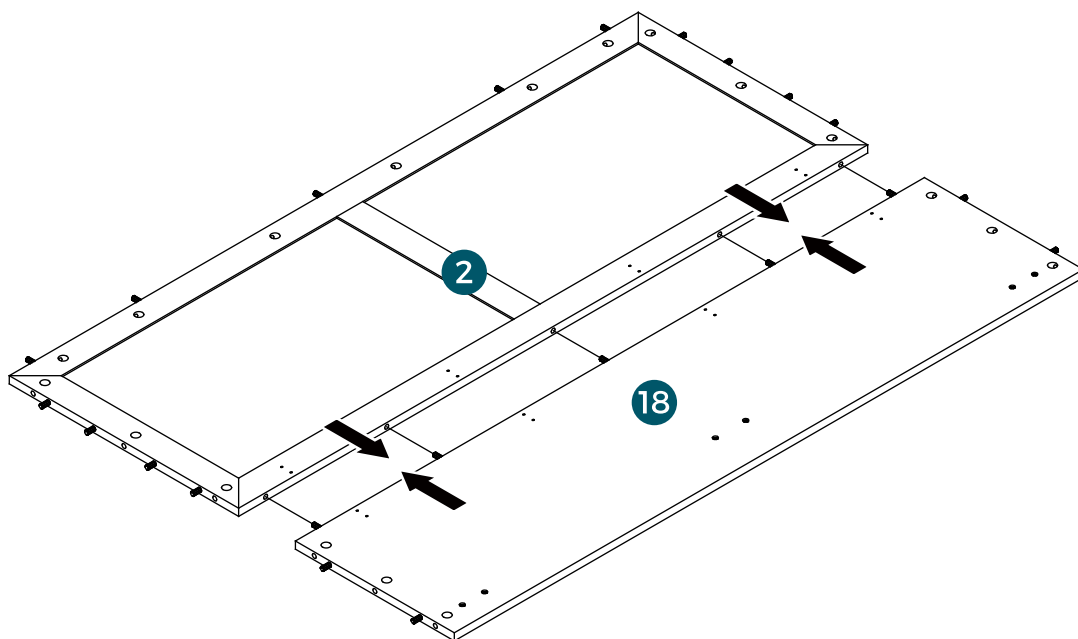
Step 1

C x 22pcs



Assembly Instructions

Step 2



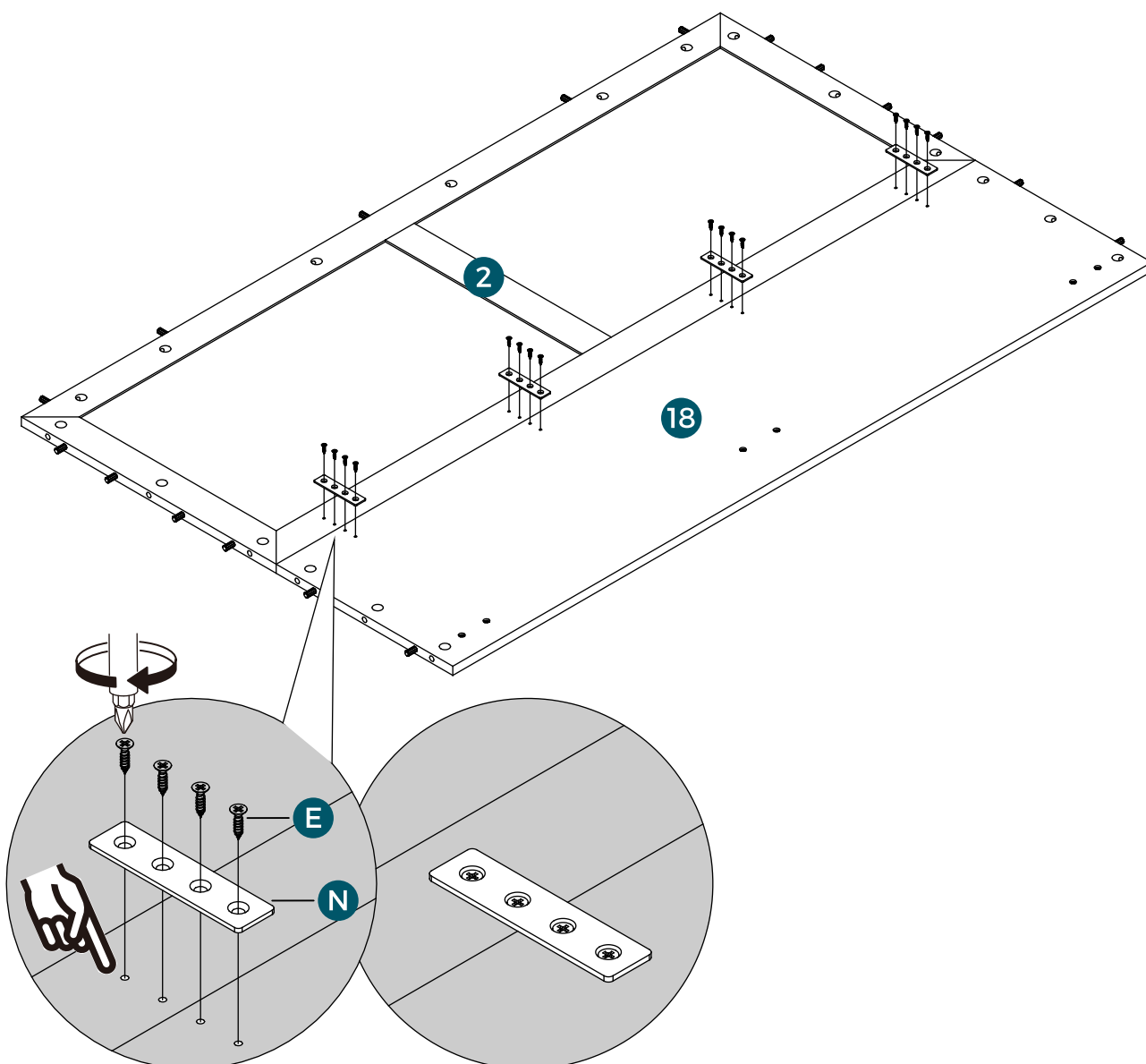
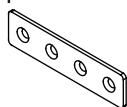
Assembly Instructions

Step 3

E x 16pcs



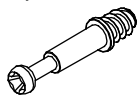
N x 4pcs



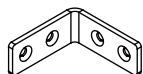
Assembly Instructions

Step 4

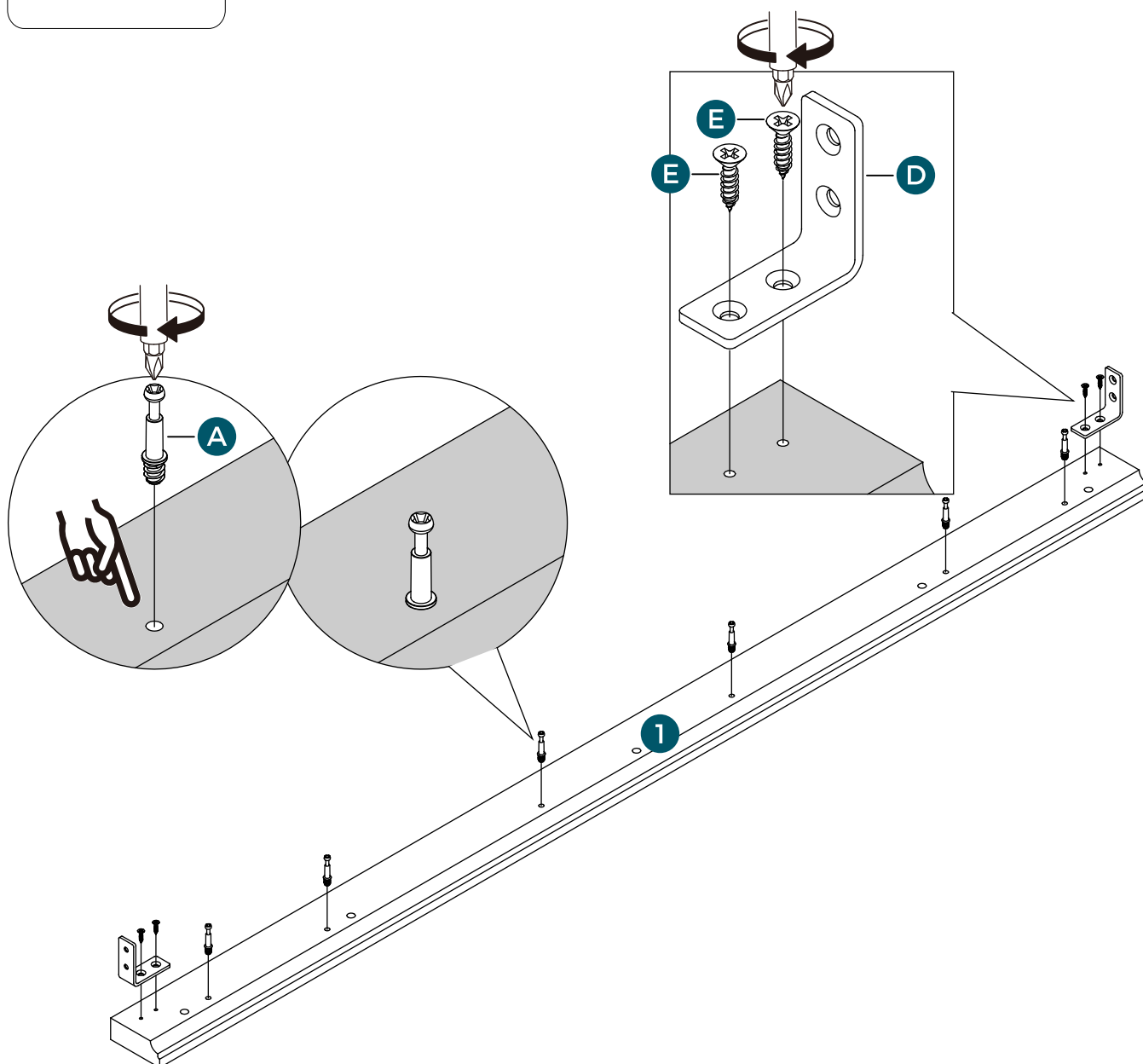
A x 6pcs



D x 2pcs



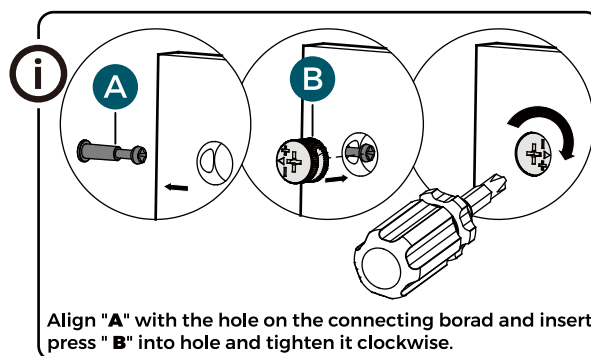
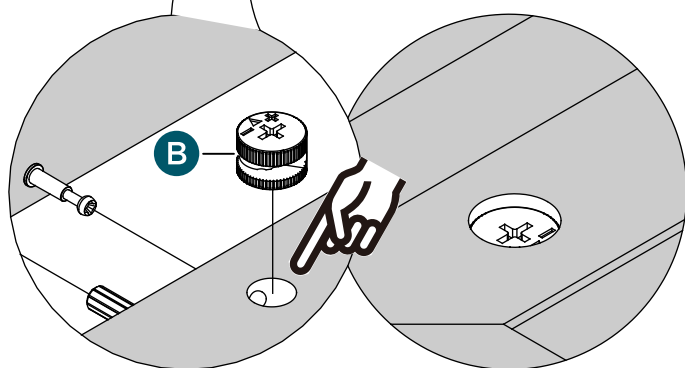
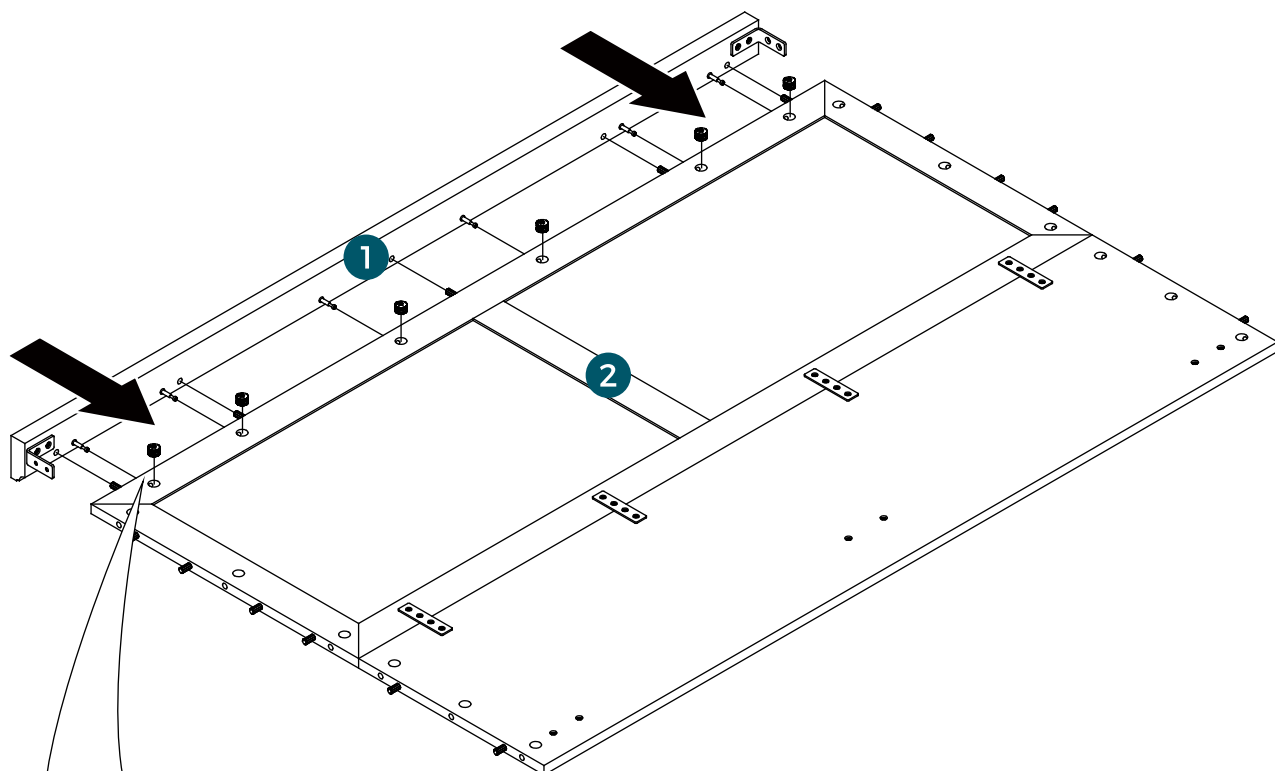
E x 4pcs



Assembly Instructions

Step 5

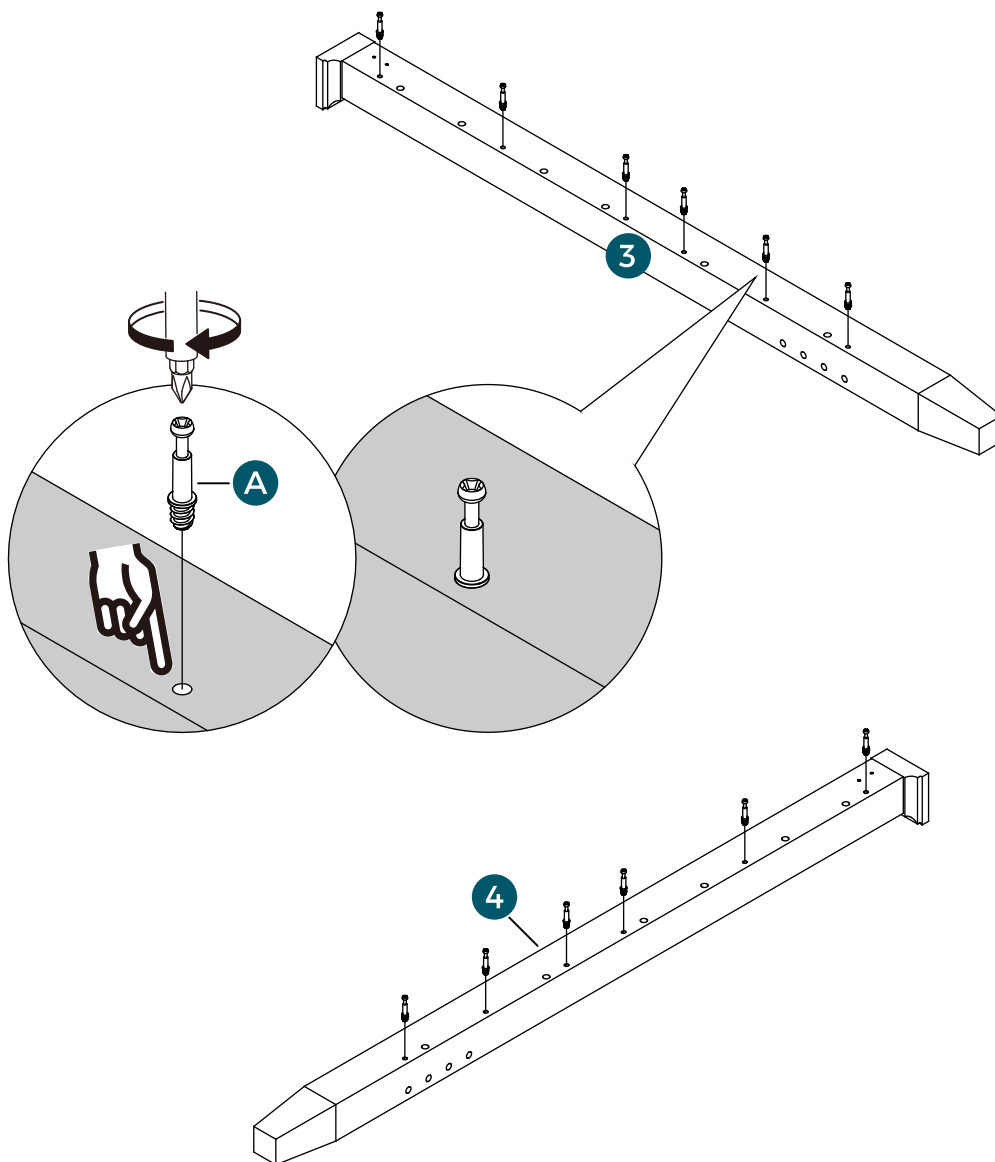
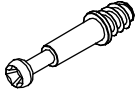
B x 6pcs



Assembly Instructions

Step 6

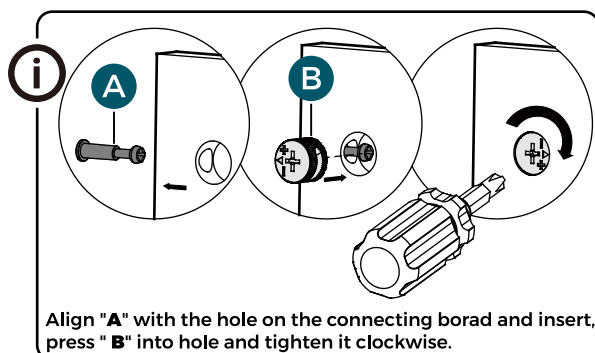
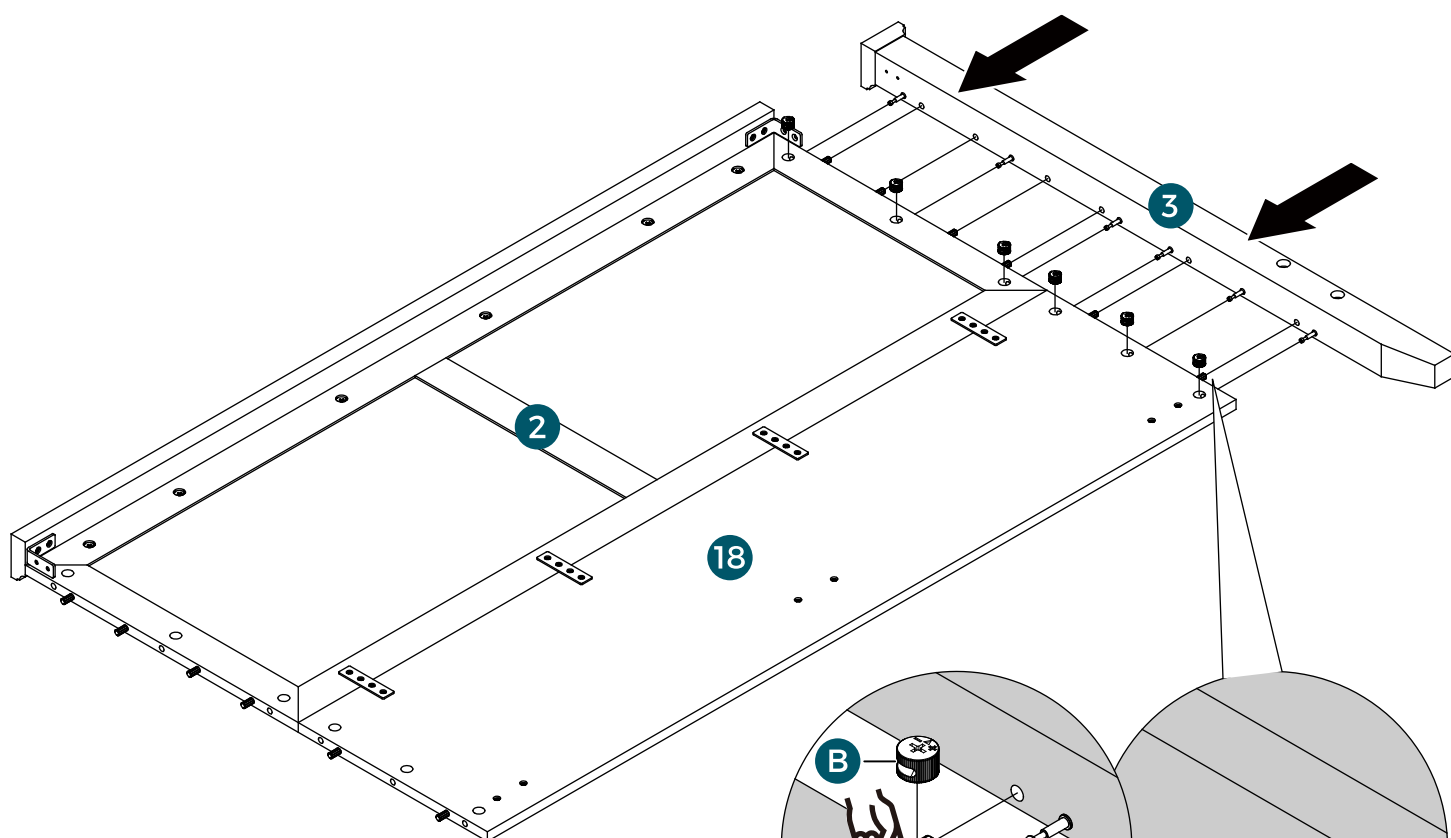
A x 12pcs



Assembly Instructions

Step 7

B x 6pcs



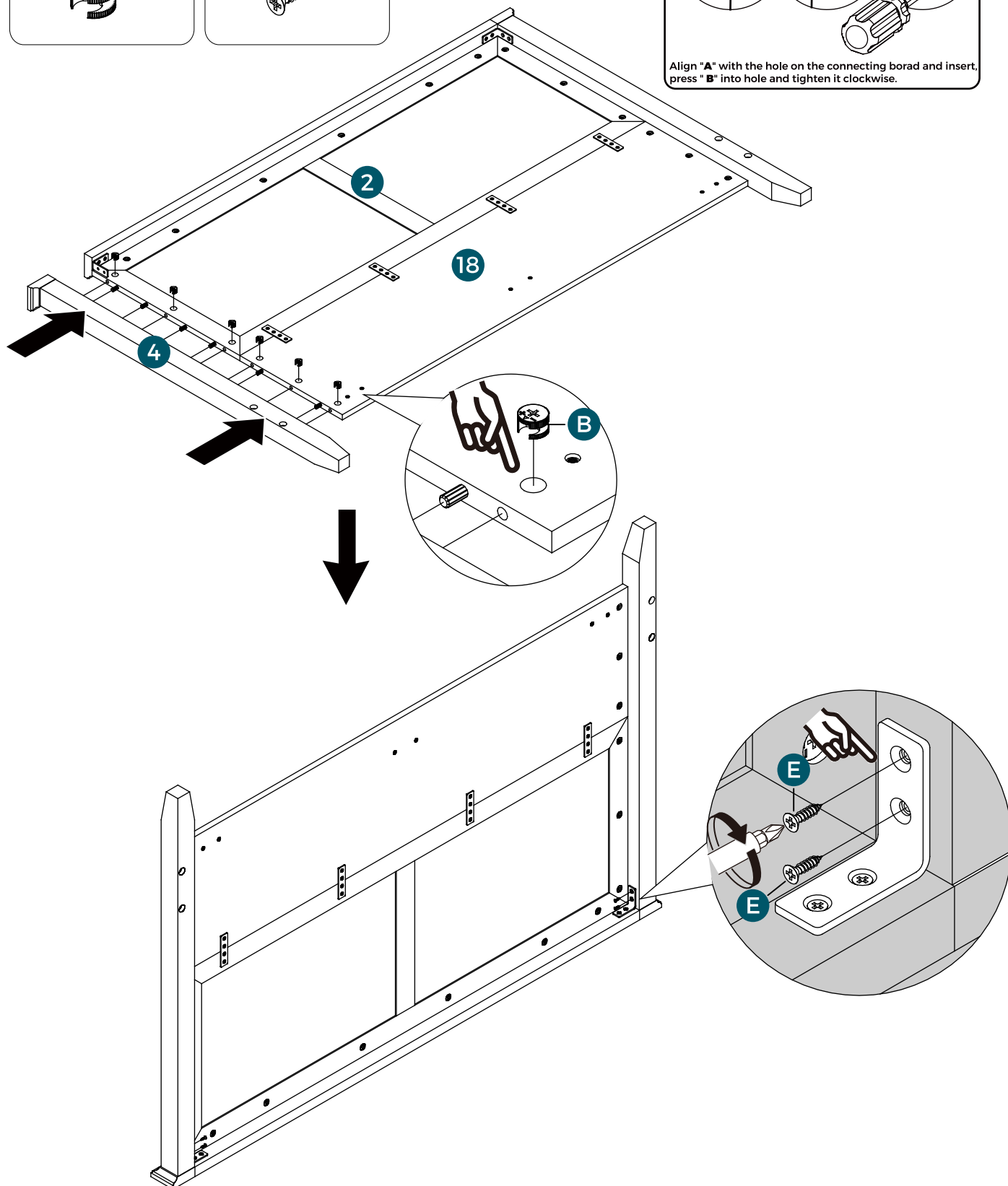
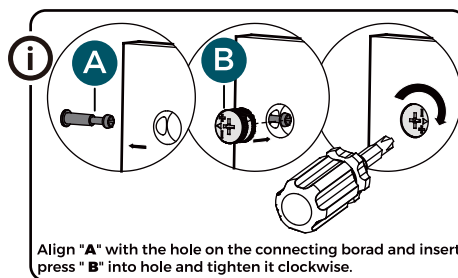
Assembly Instructions

Step 8

B x 6pcs



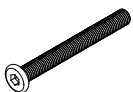
E x 4pcs



Assembly Instructions

Step 9

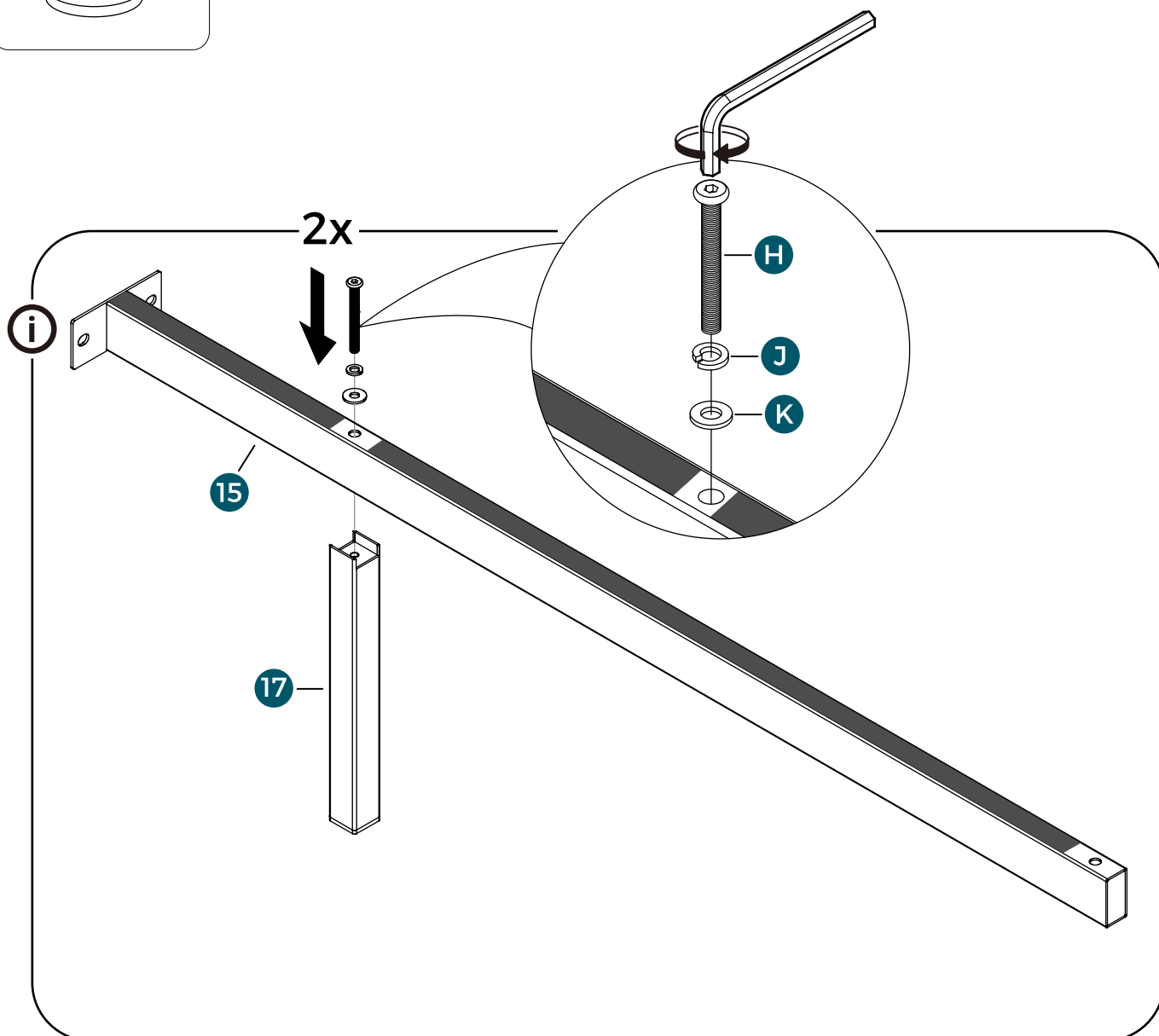
H x 2pcs



J x 2pcs



K x 2pcs



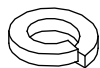
Assembly Instructions

Step 10

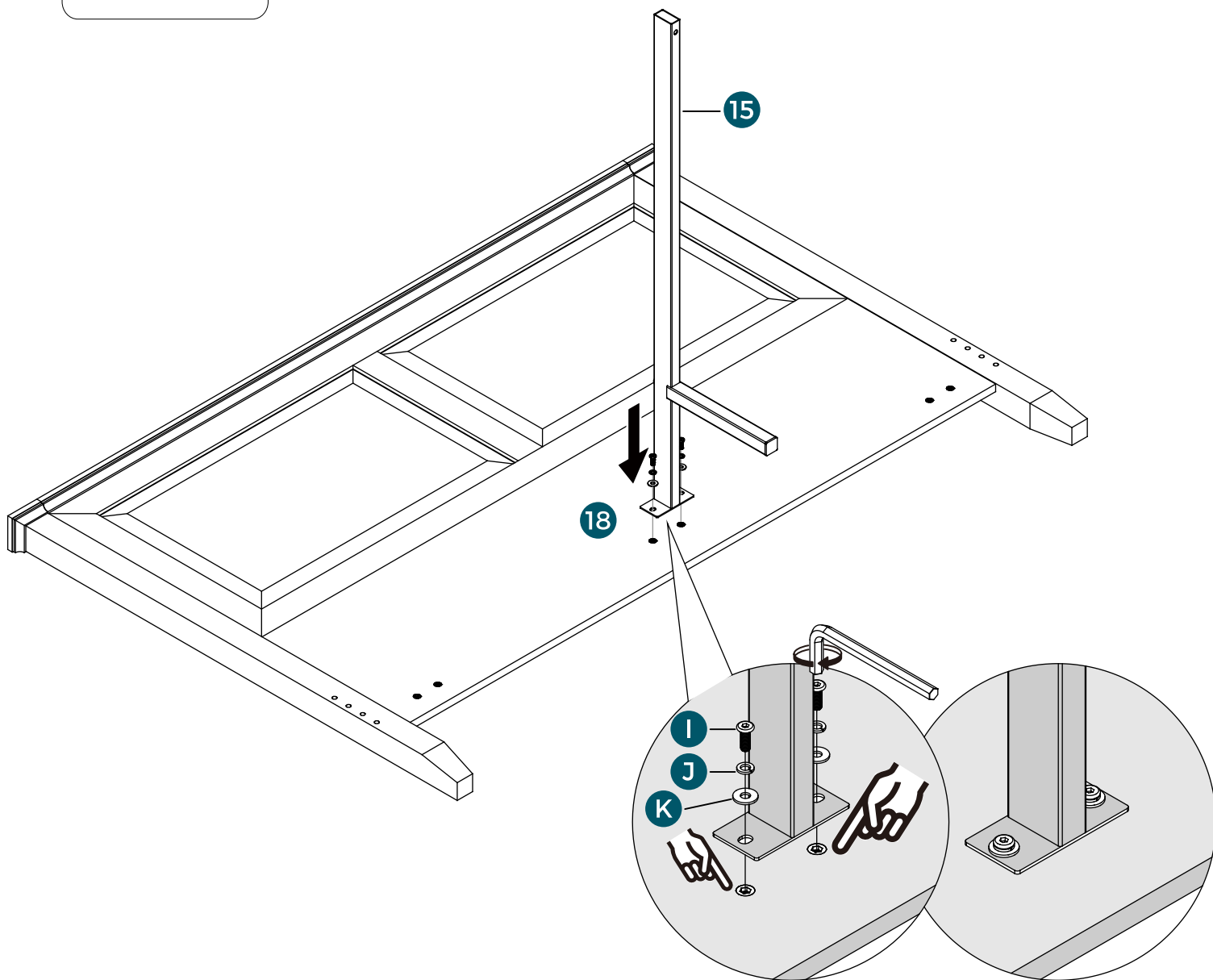
I x 2pcs



J x 2pcs



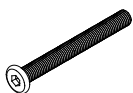
K x 2pcs



Assembly Instructions

Step 11

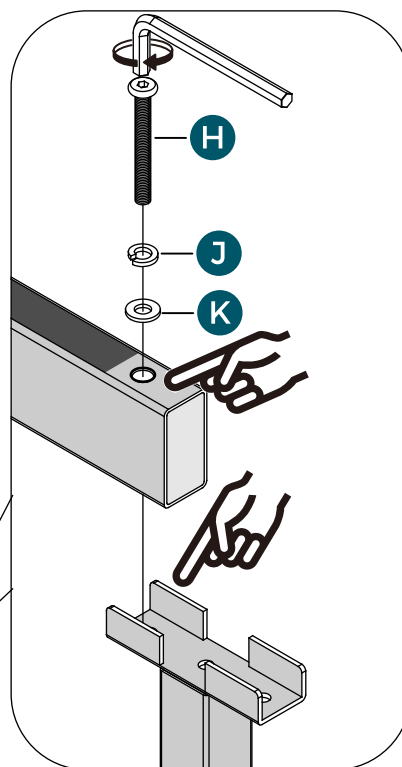
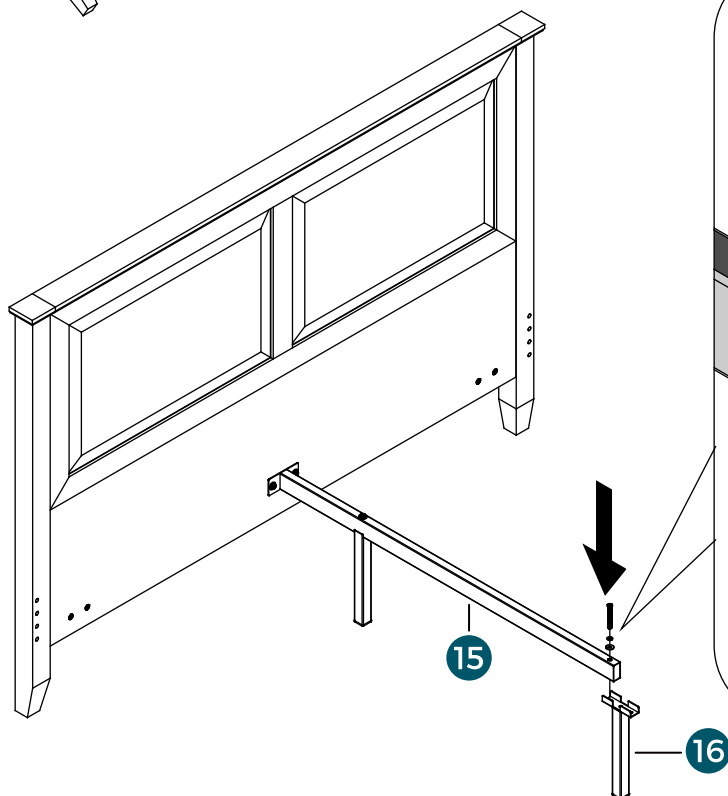
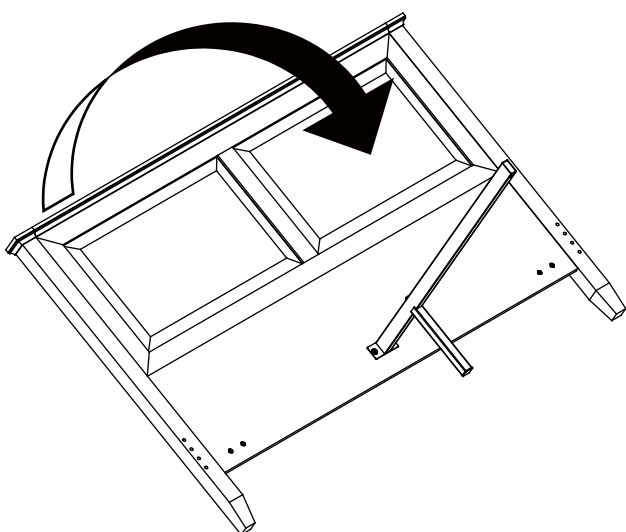
H x 1pcs



J x 1pcs



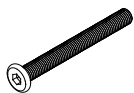
K x 1pcs



Assembly Instructions

Step 12

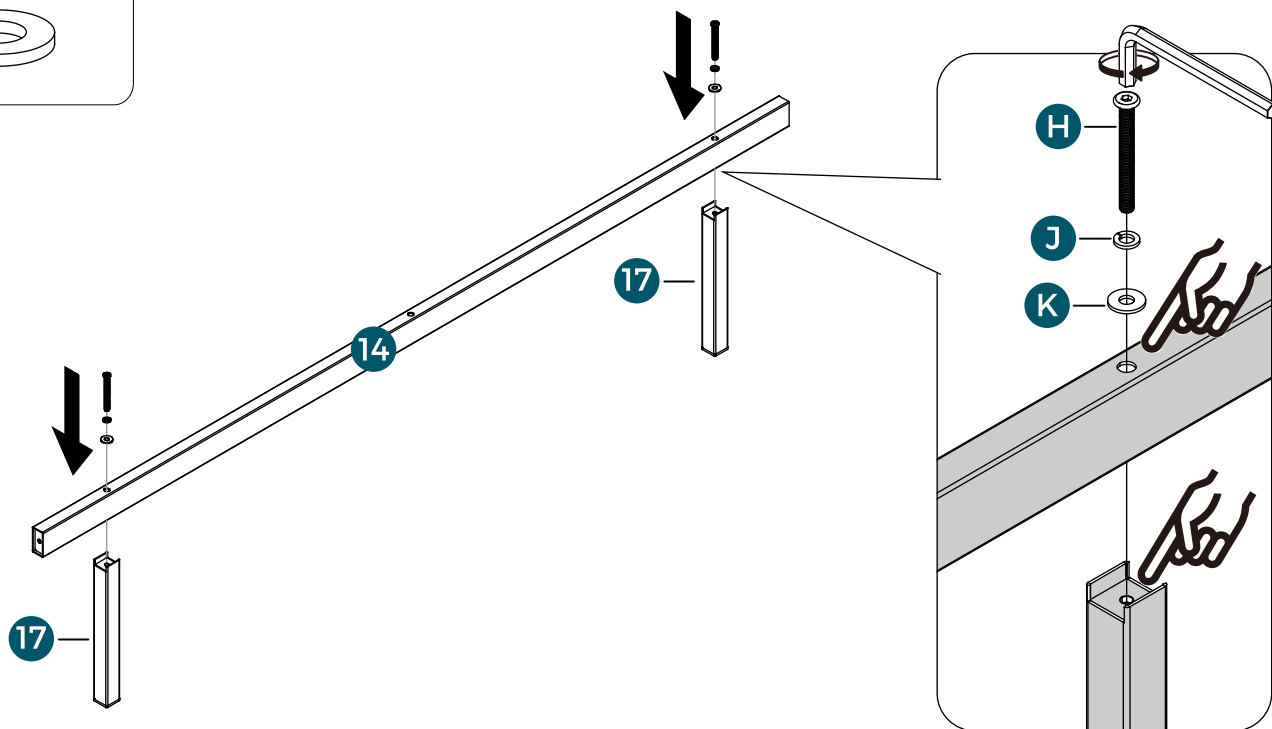
H x 2pcs



J x 2pcs

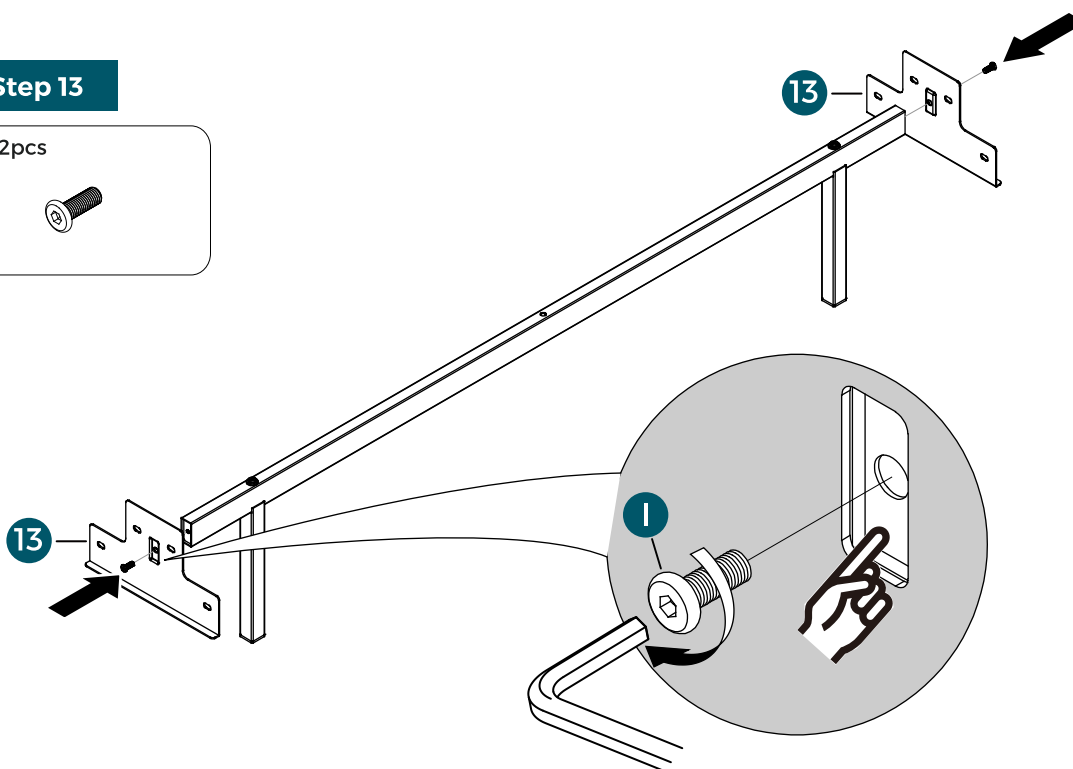


K x 2pcs



Step 13

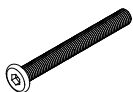
I x 2pcs



Assembly Instructions

Step 14

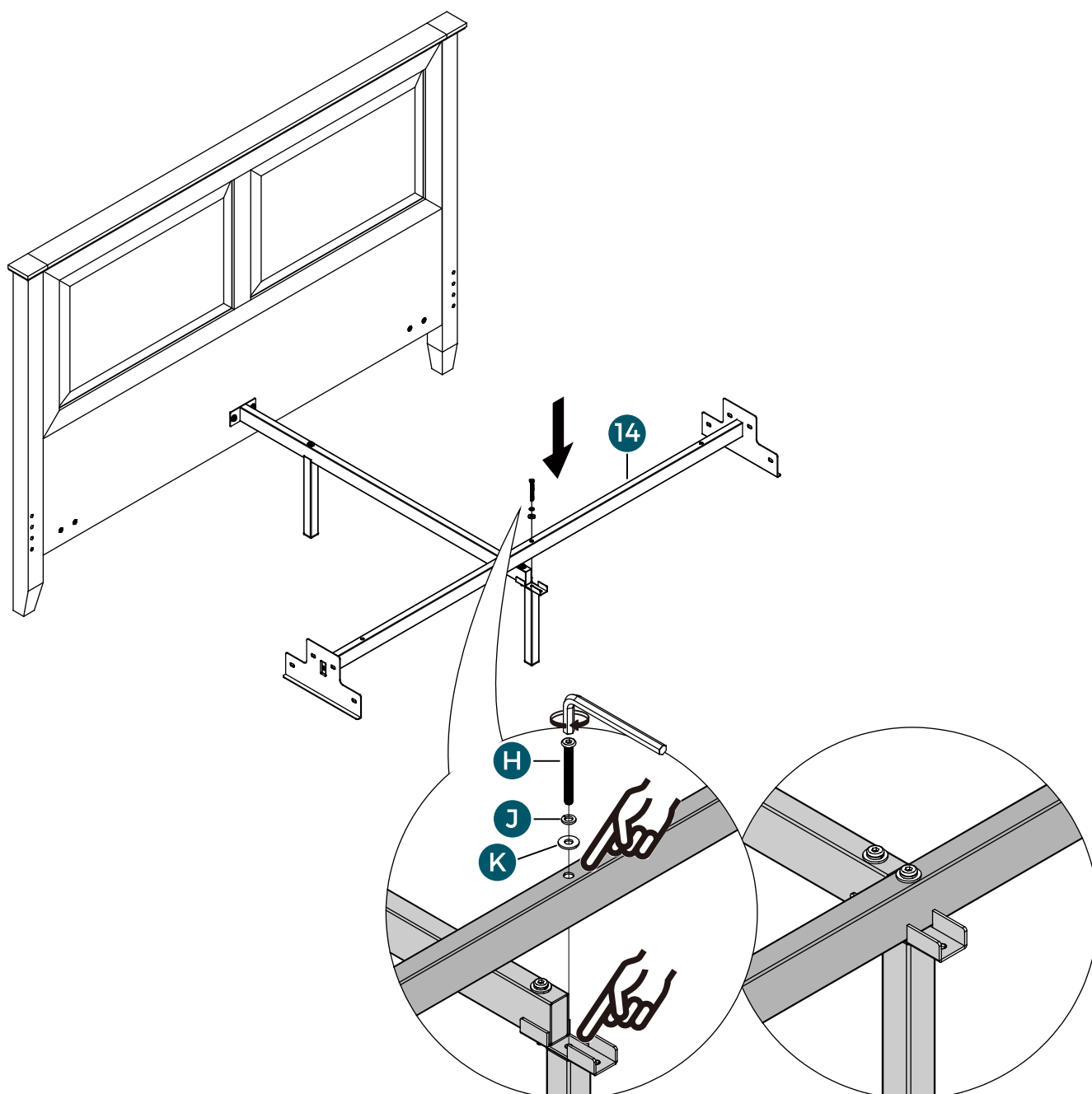
H x 1pcs



J x 1pcs



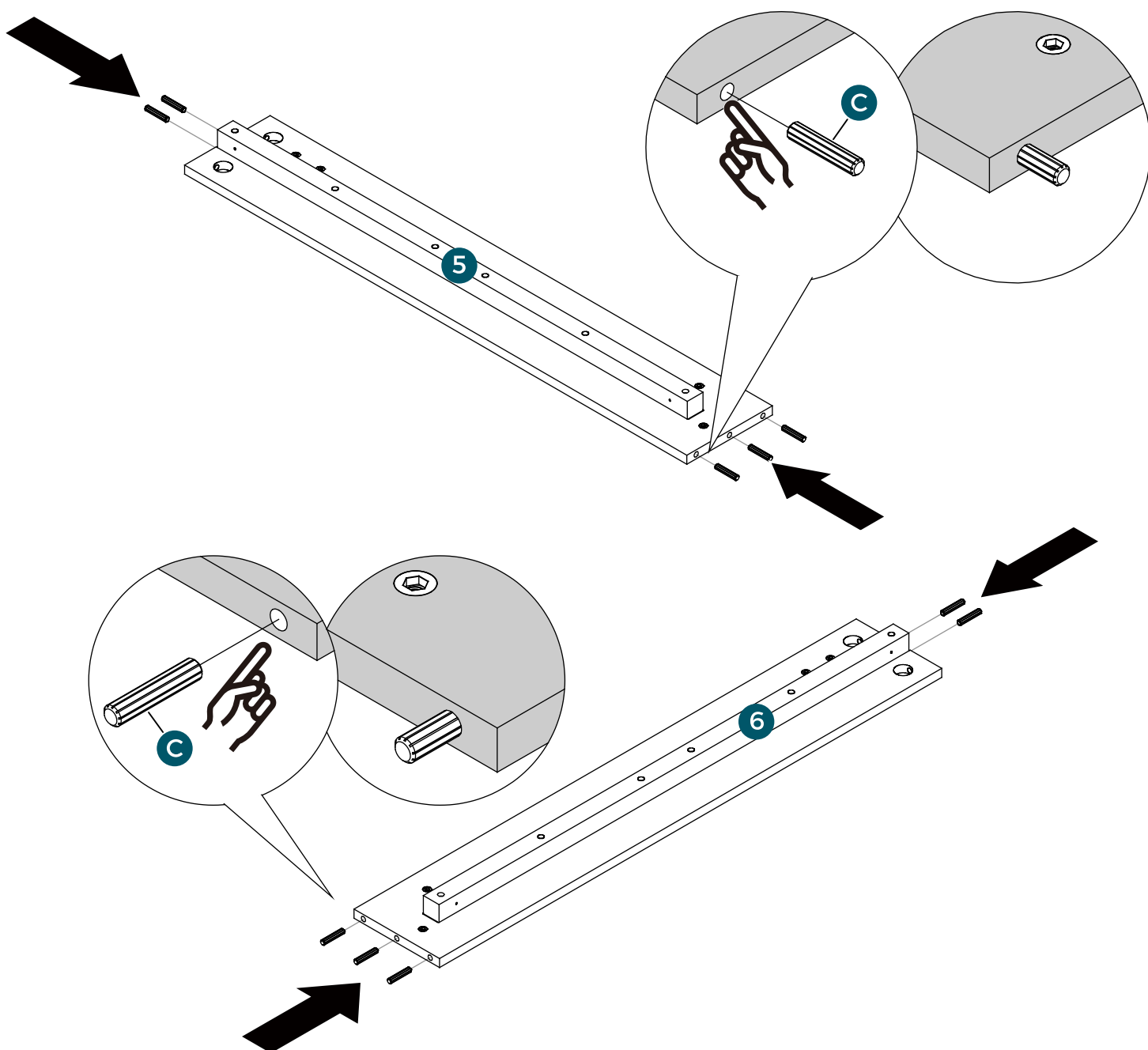
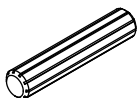
K x 1pcs



Assembly Instructions

Step 15

C x 10pcs



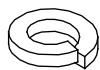
Assembly Instructions

Step 16

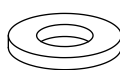
G x 4pcs



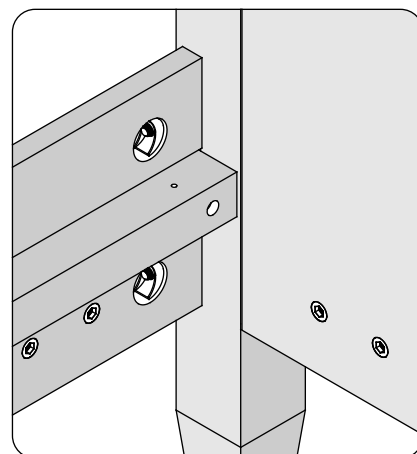
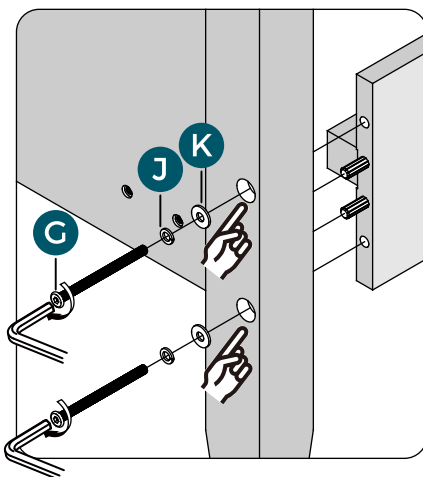
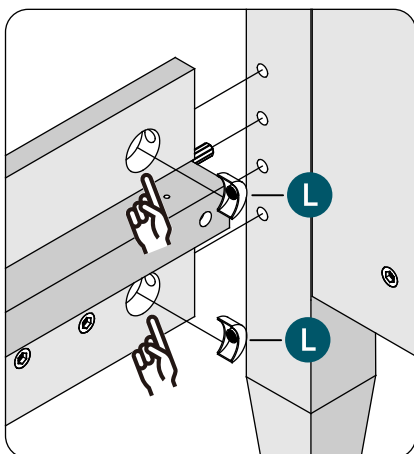
J x 4pcs



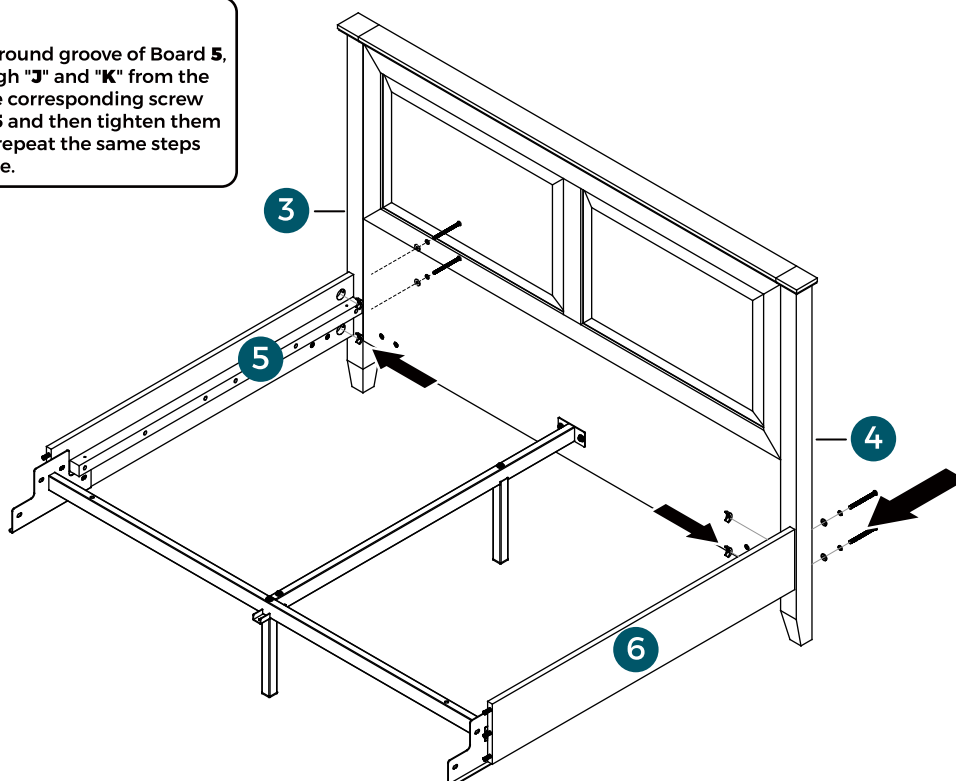
K x 4pcs



L x 4pcs



Put "L" into the round groove of Board 5, insert "G" through "J" and "K" from the Board 3 into the corresponding screw holes of Board 5 and then tighten them clockwise, and repeat the same steps on the other side.



Assembly Instructions

Step 17

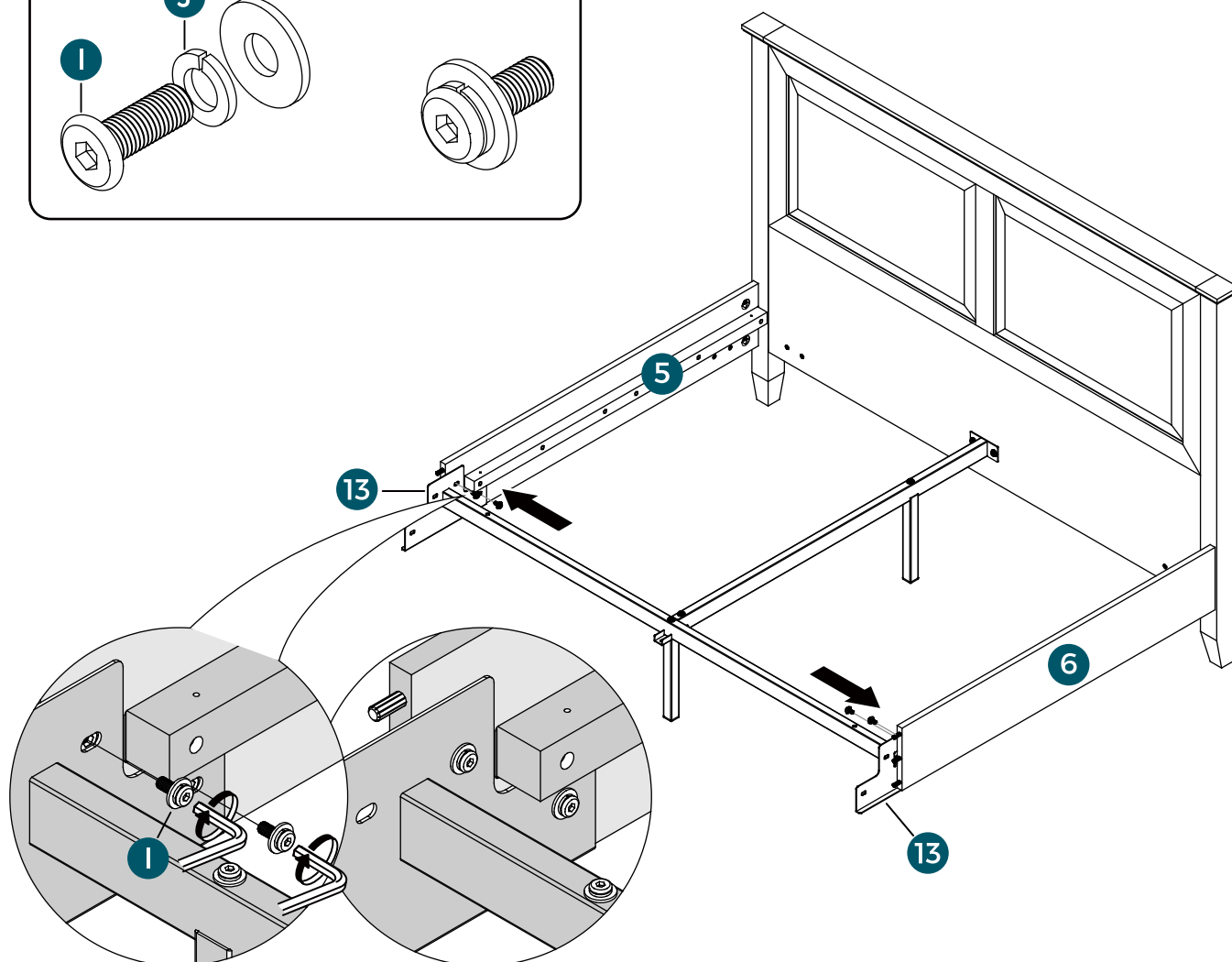
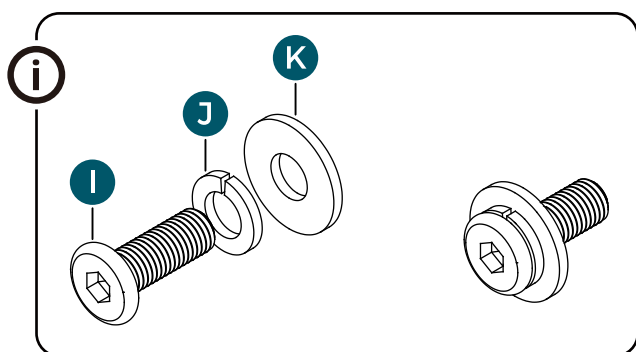
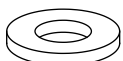
I x 4pcs



J x 4pcs



K x 4pcs



Assembly Instructions

Step 18

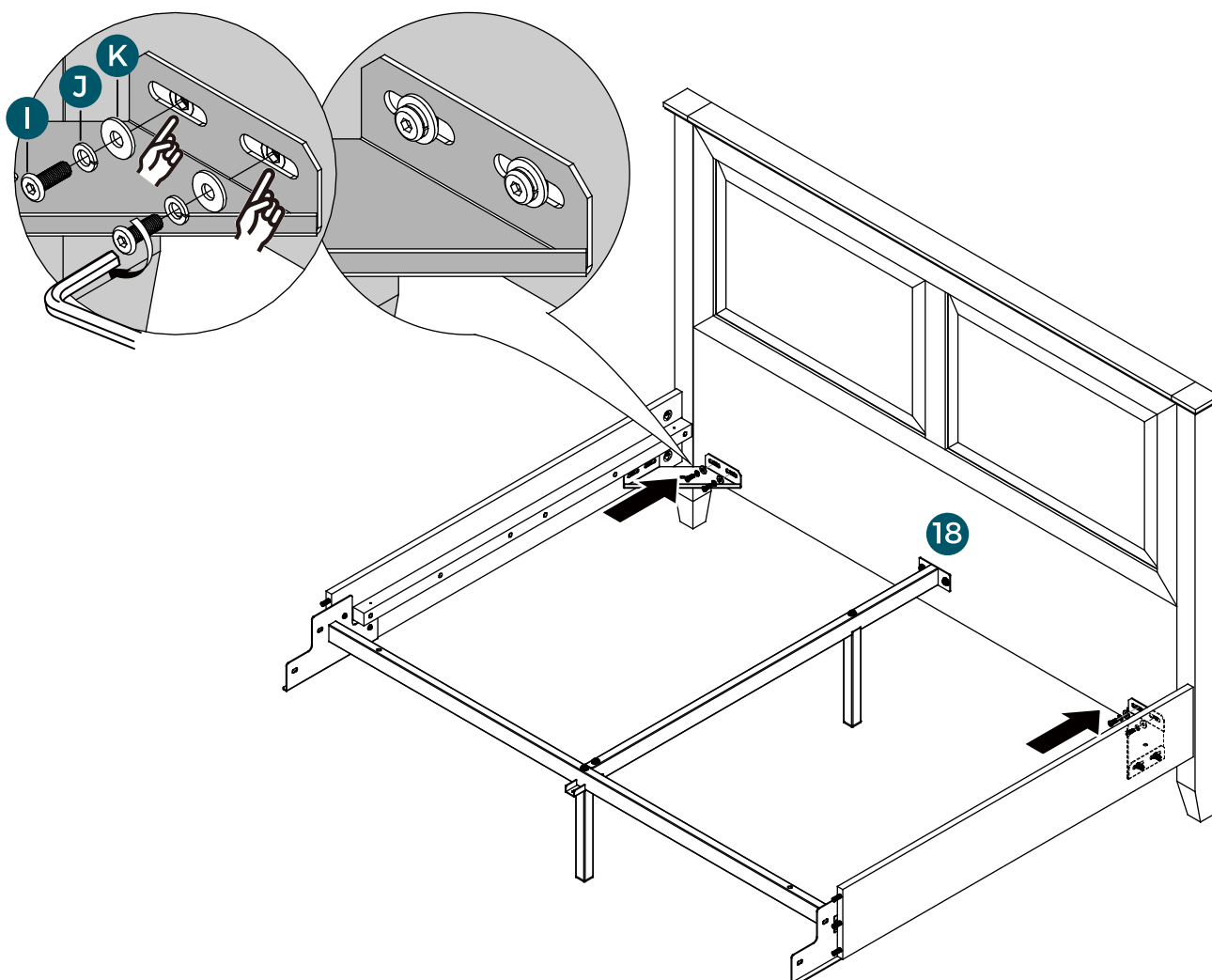
I x 4pcs



J x 4pcs



K x 4pcs



Assembly Instructions

Step 19

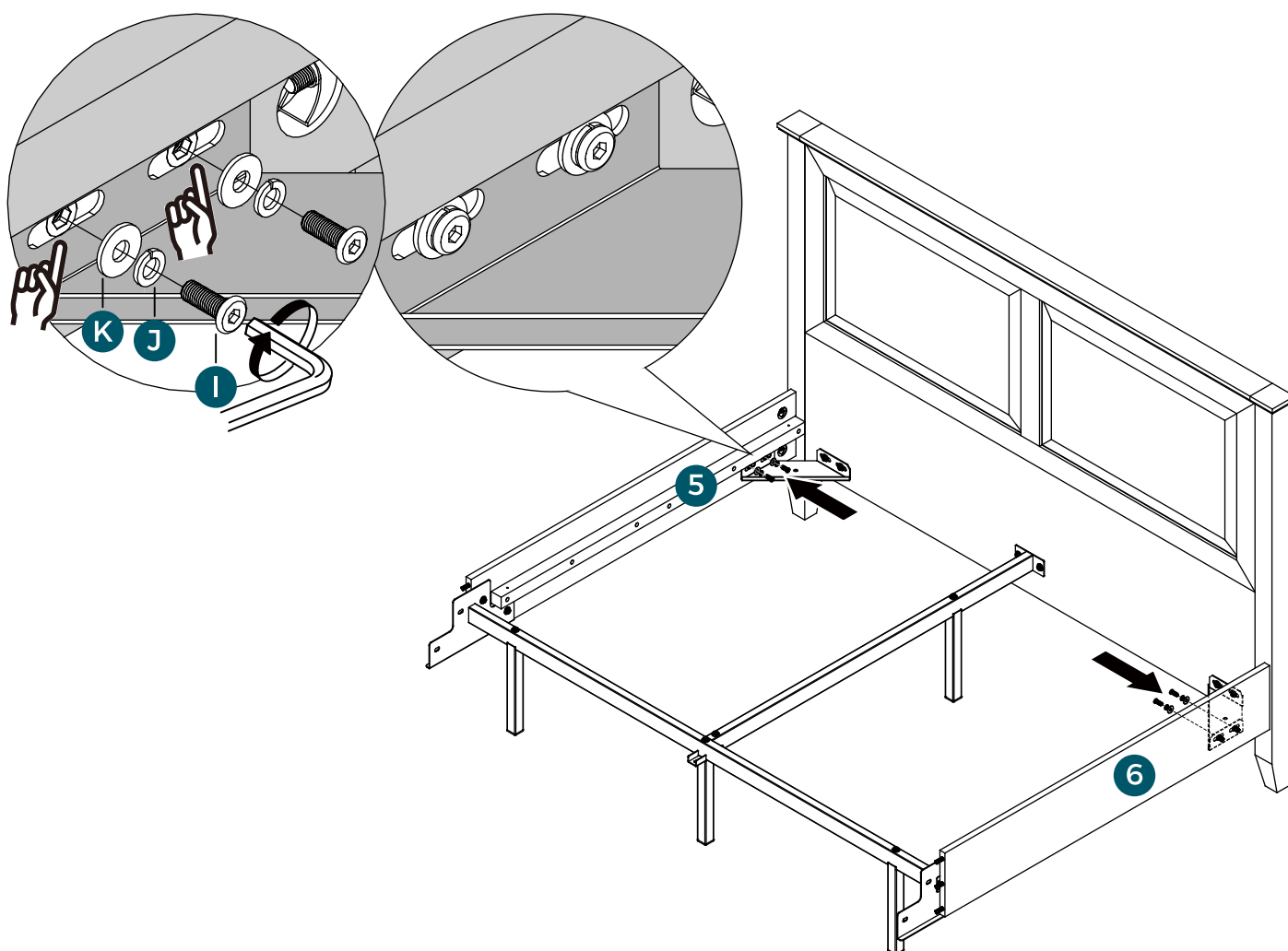
I x 4pcs



J x 4pcs



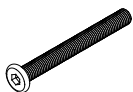
K x 4pcs



Assembly Instructions

Step 20

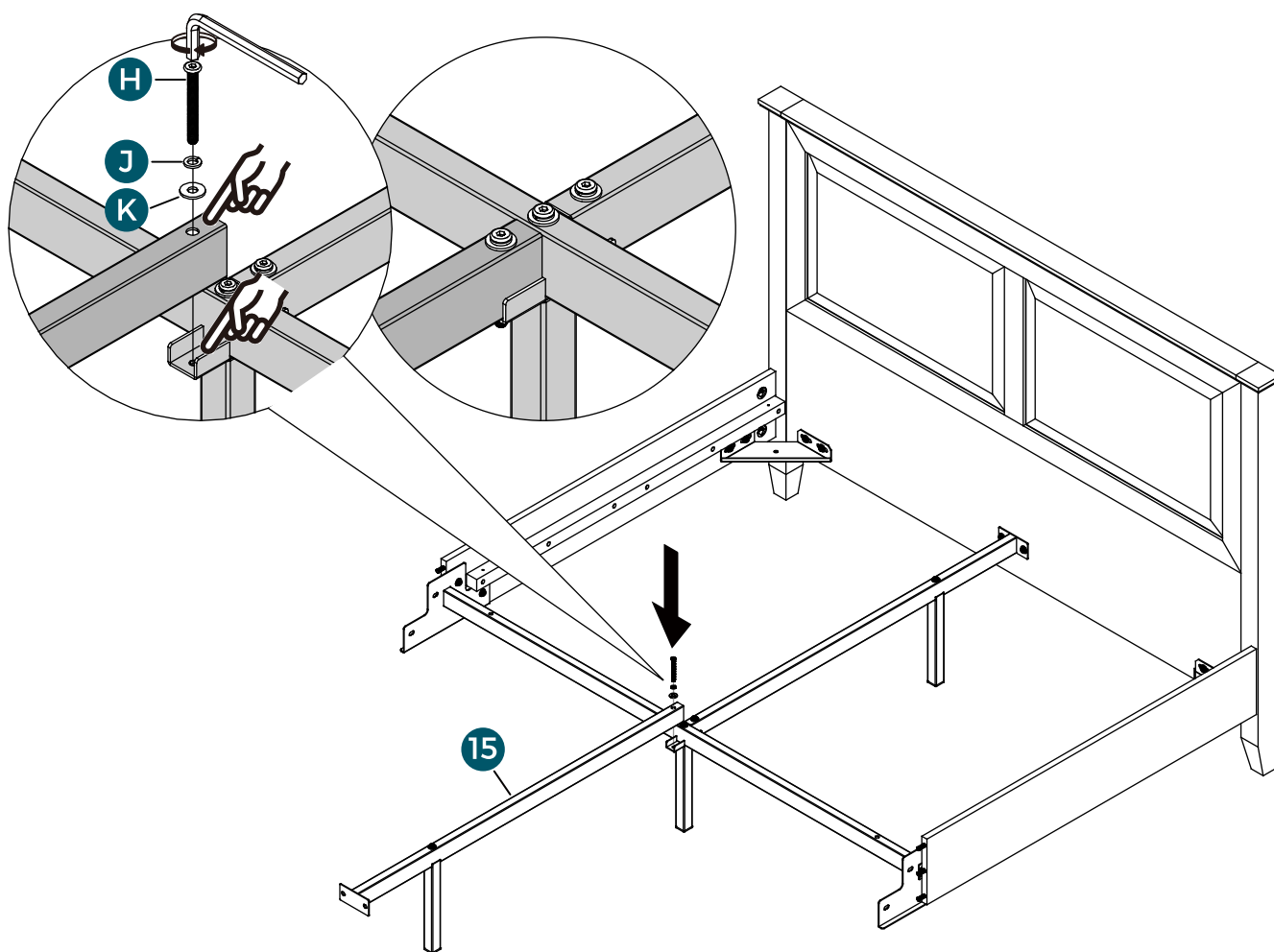
H x 1pcs



J x 1pcs



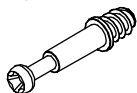
K x 1pcs



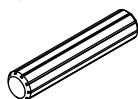
Assembly Instructions

Step 21

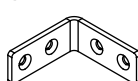
A x 6pcs



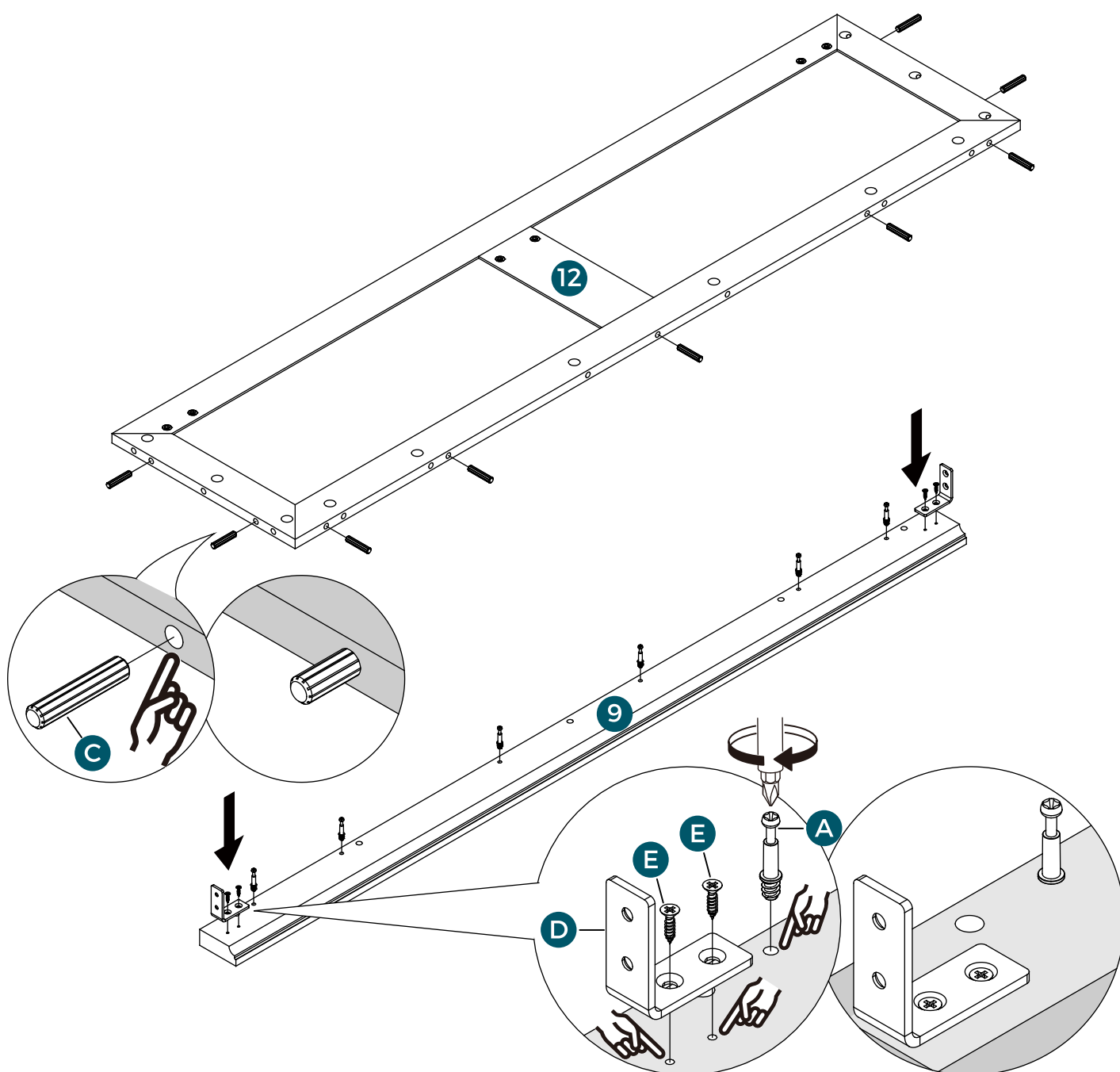
C x 9pcs



D x 2pcs



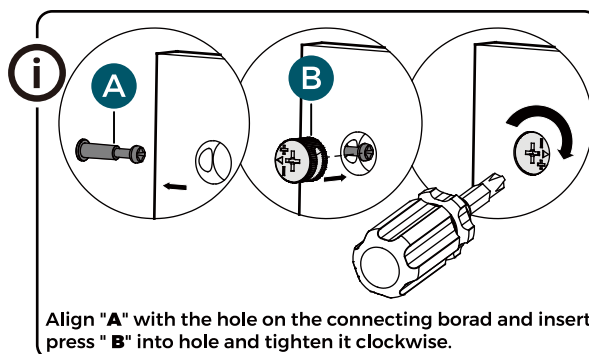
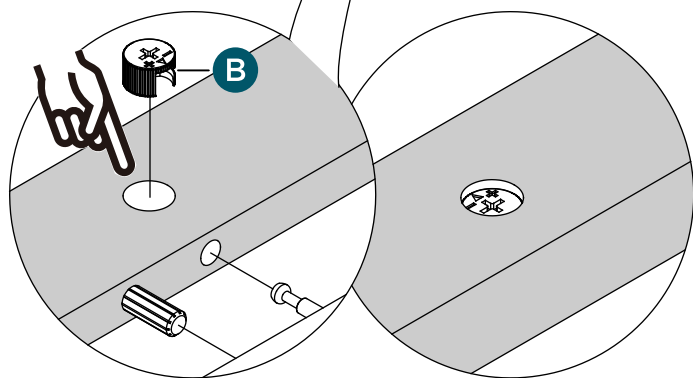
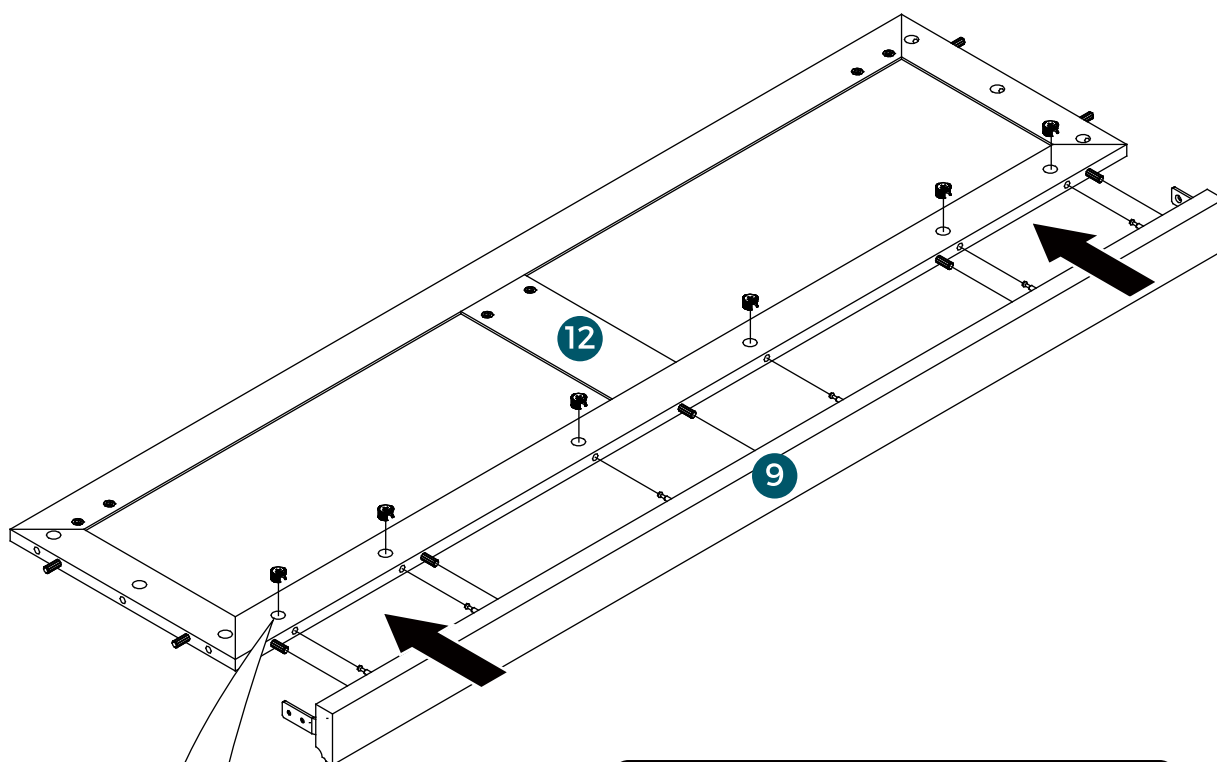
E x 4pcs



Assembly Instructions

Step 22

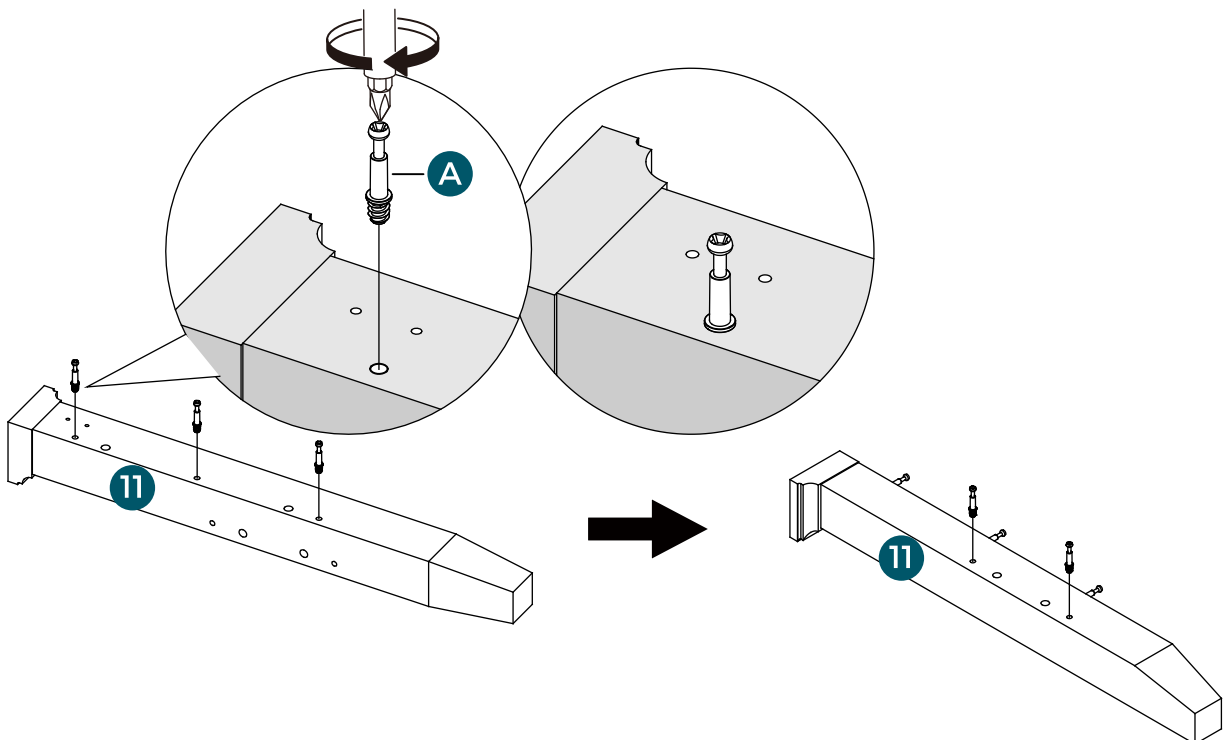
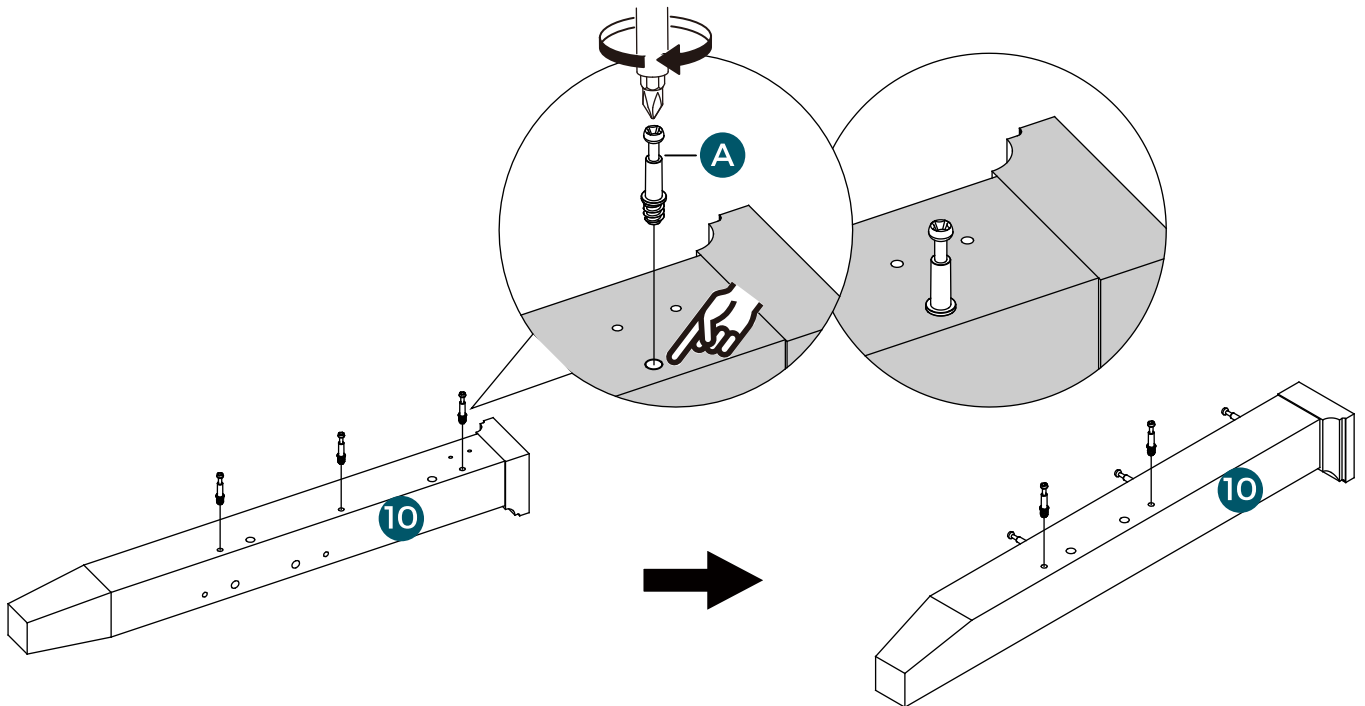
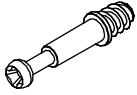
B x 6pcs



Assembly Instructions

Step 23

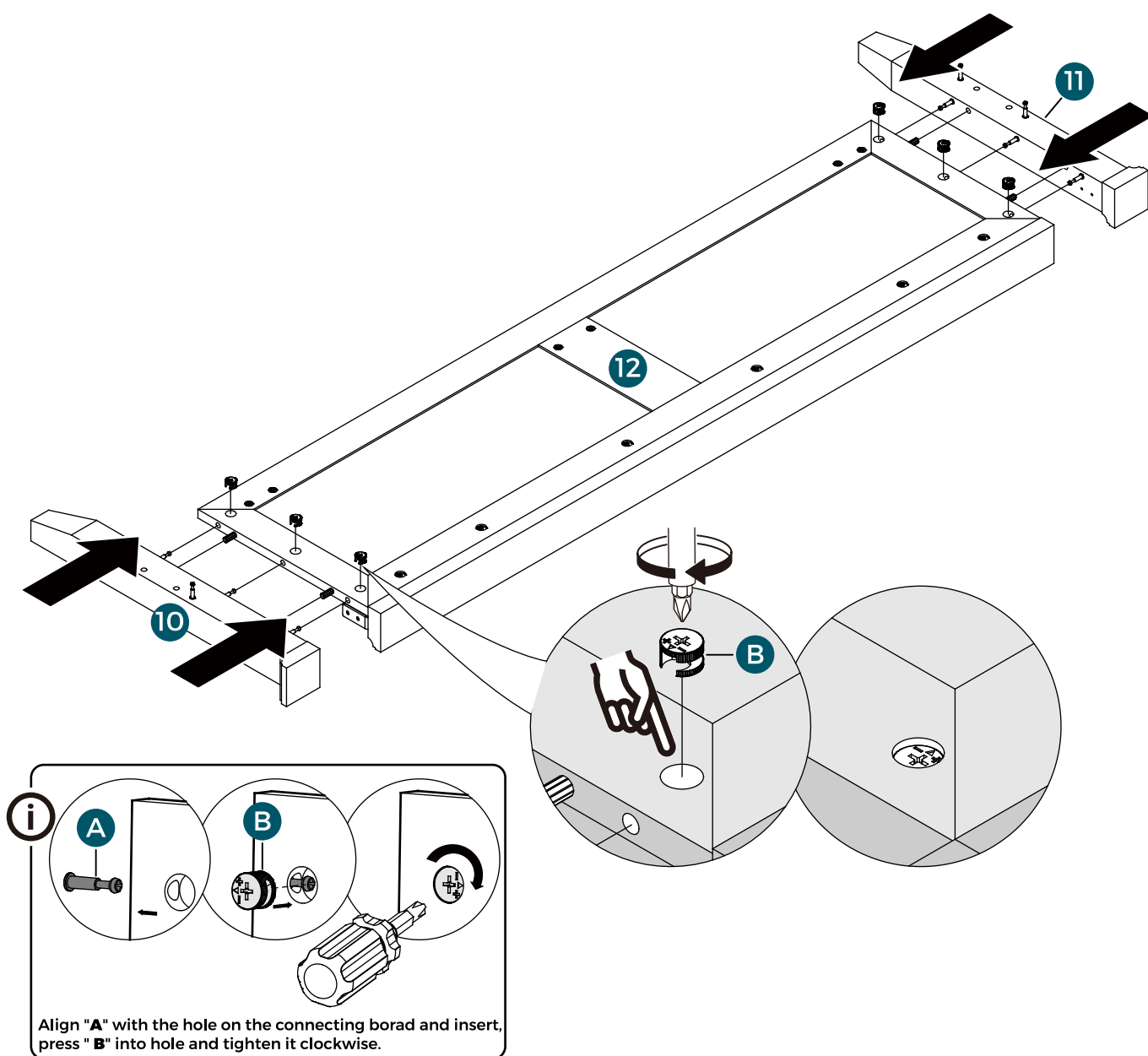
A x 10pcs



Assembly Instructions

Step 24

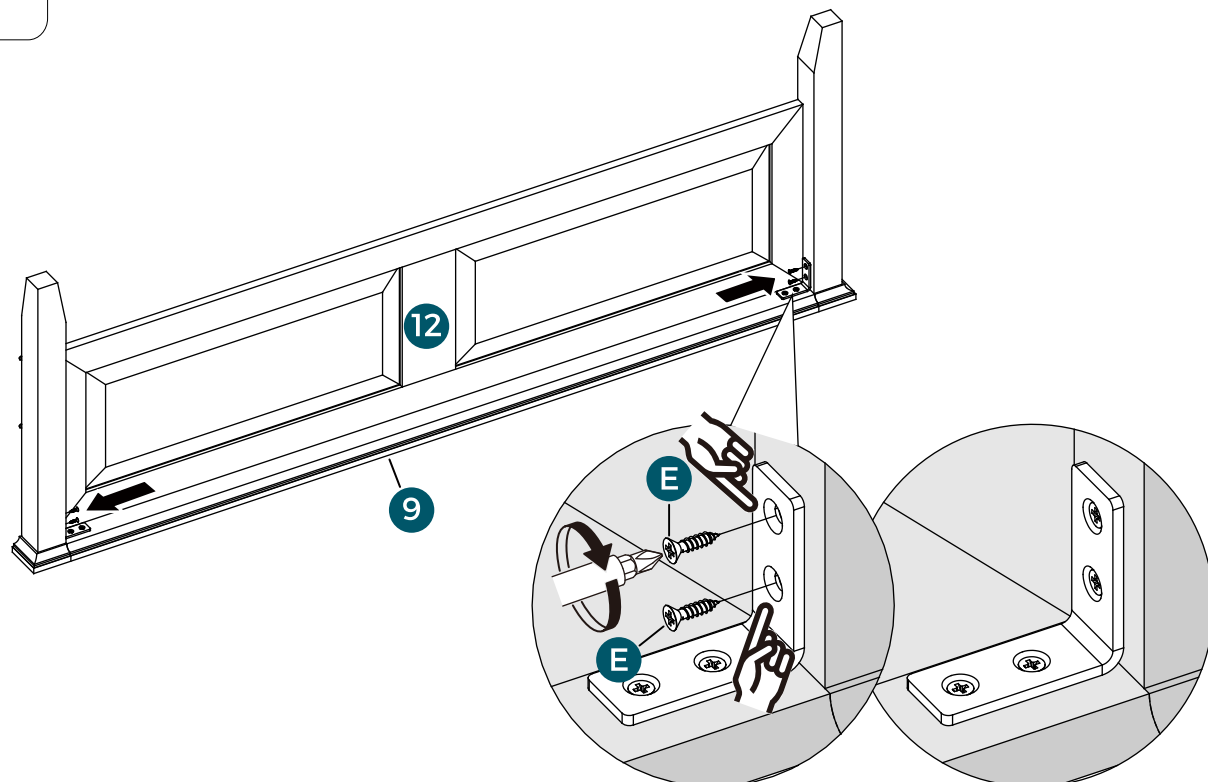
B x 6pcs



Assembly Instructions

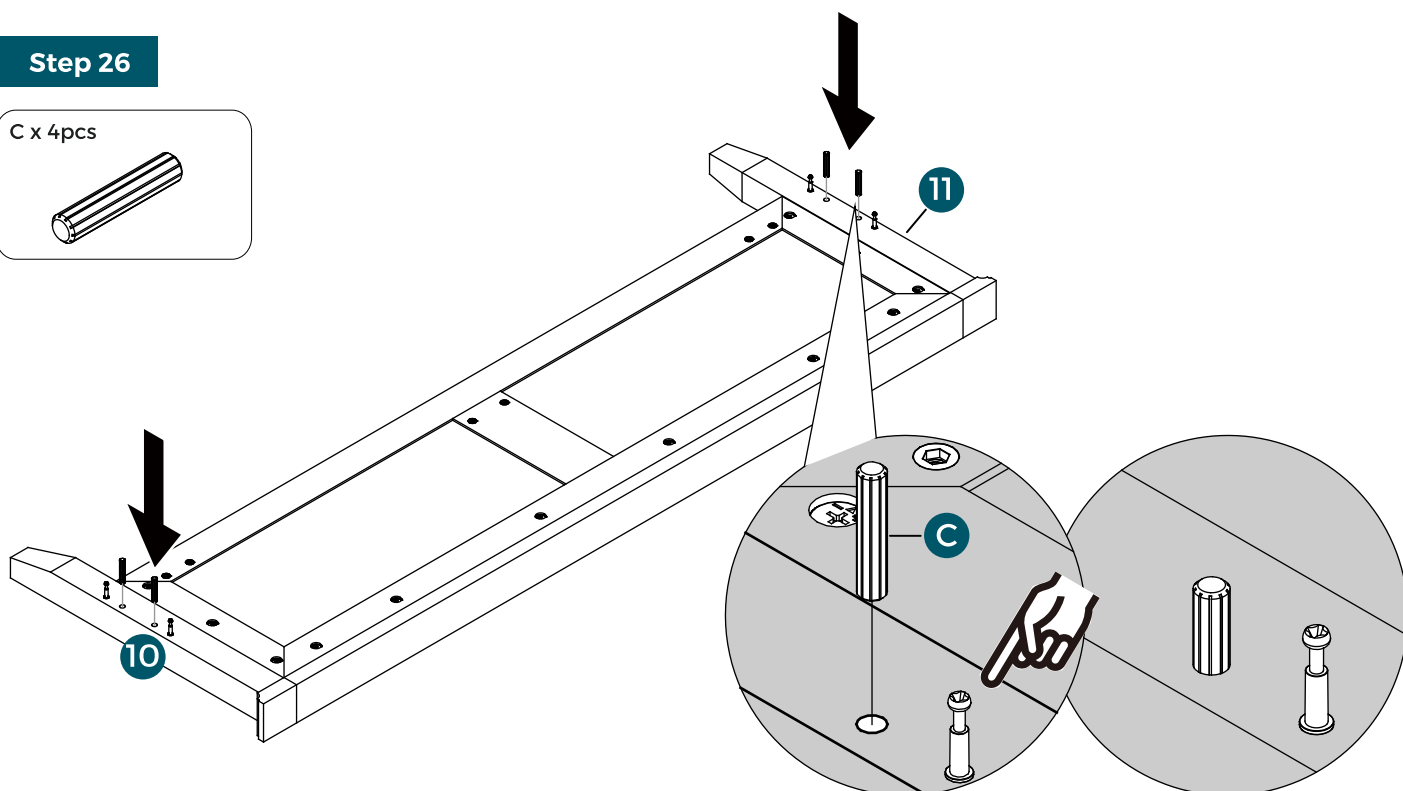
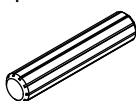
Step 25

E x 4pcs



Step 26

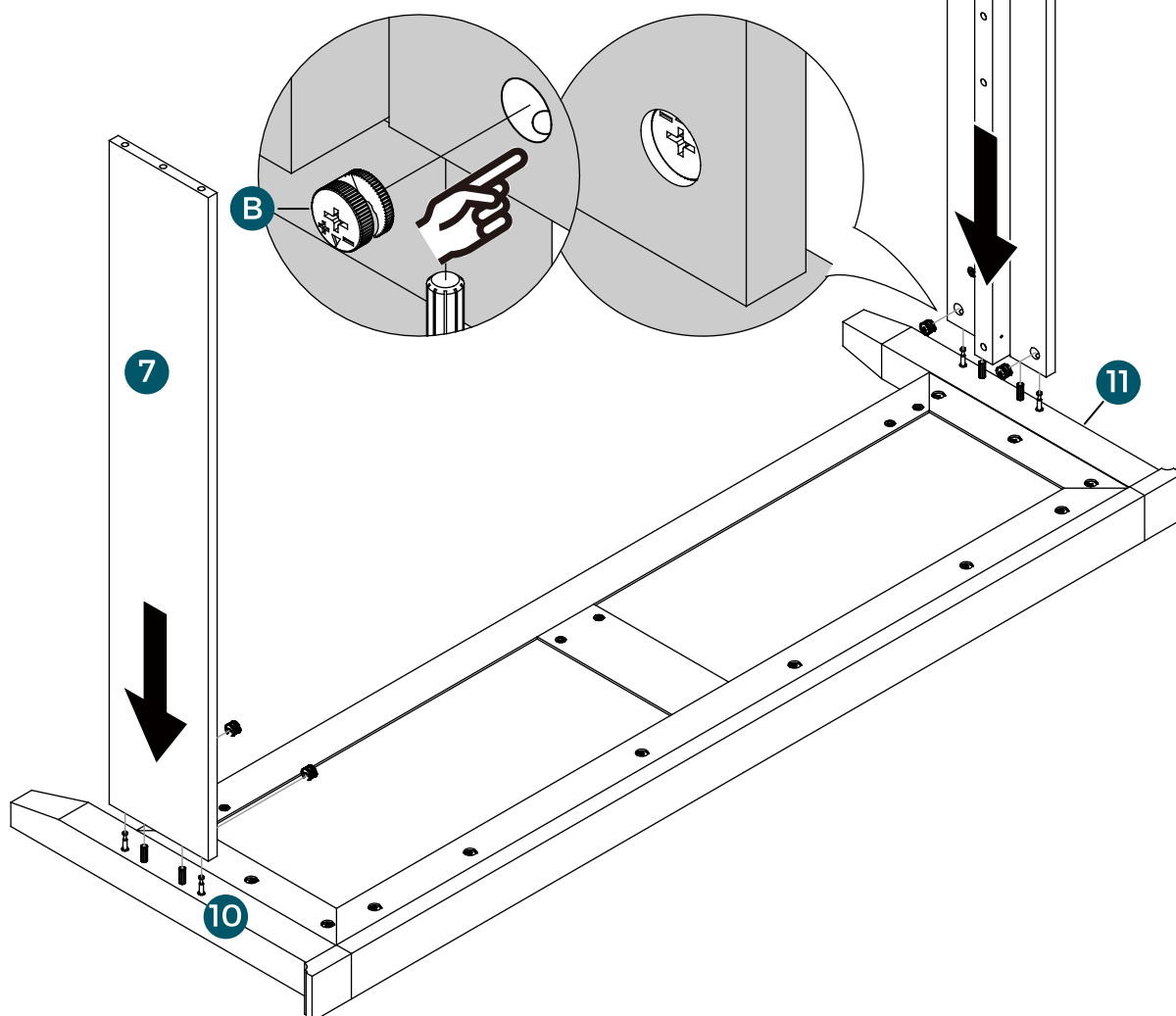
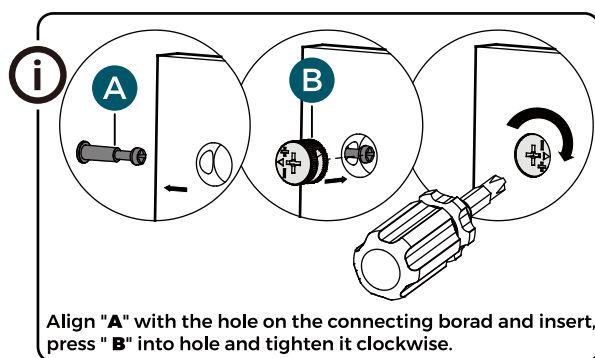
C x 4pcs



Assembly Instructions

Step 27

B x 4pcs



Assembly Instructions

Step 28

I x 4pcs



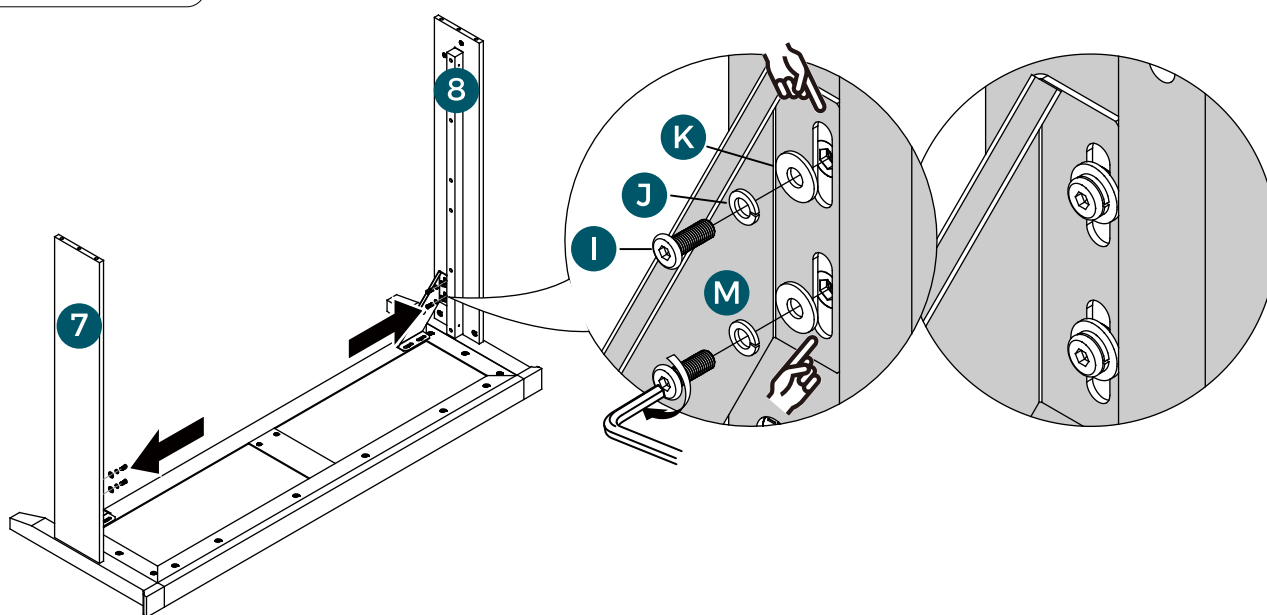
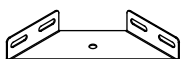
J x 4pcs



K x 4pcs



M x 2pcs



Step 29

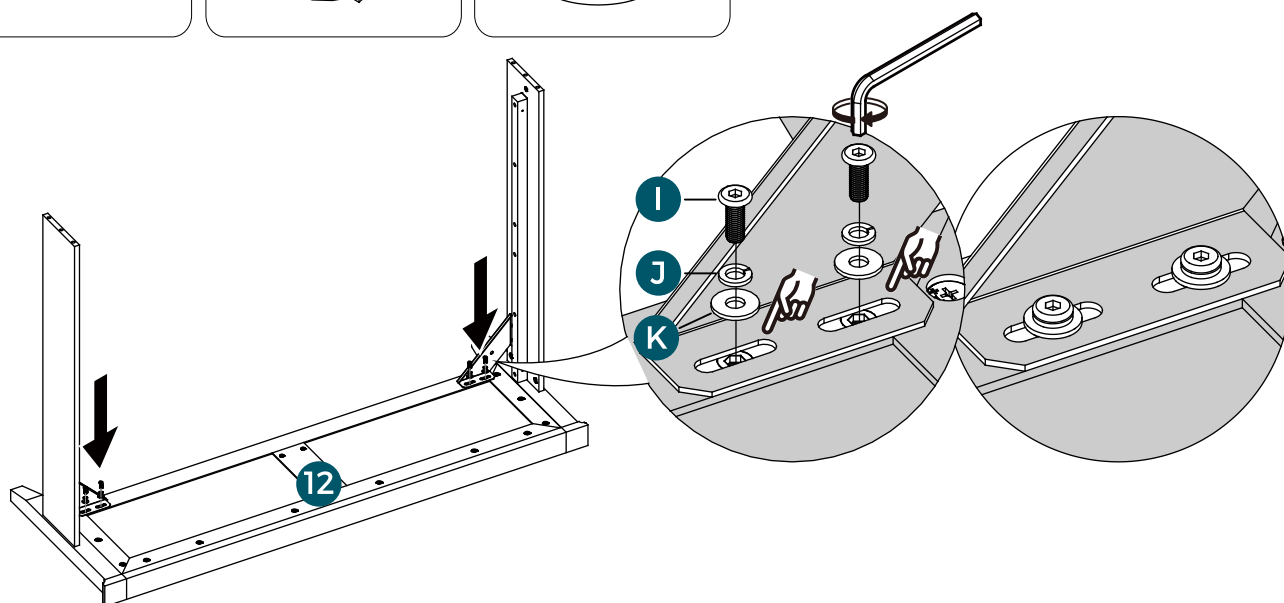
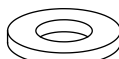
I x 4pcs



J x 4pcs



K x 4pcs



Assembly Instructions

Step 30

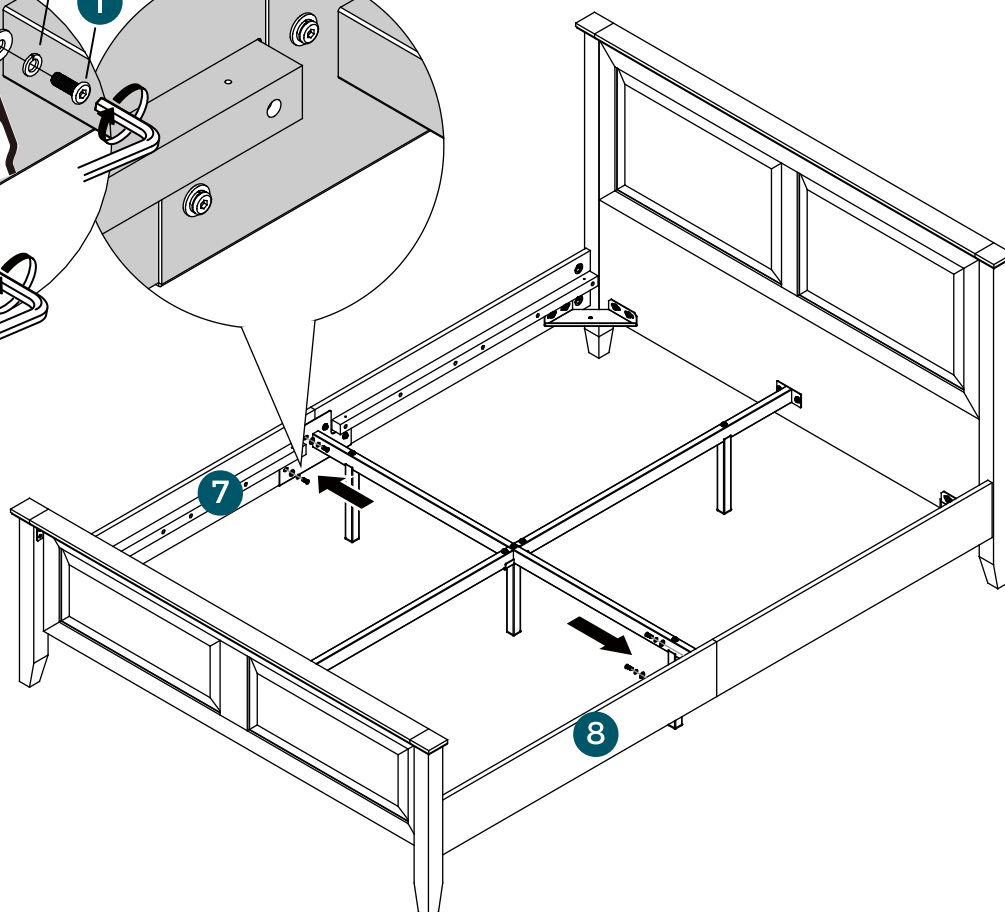
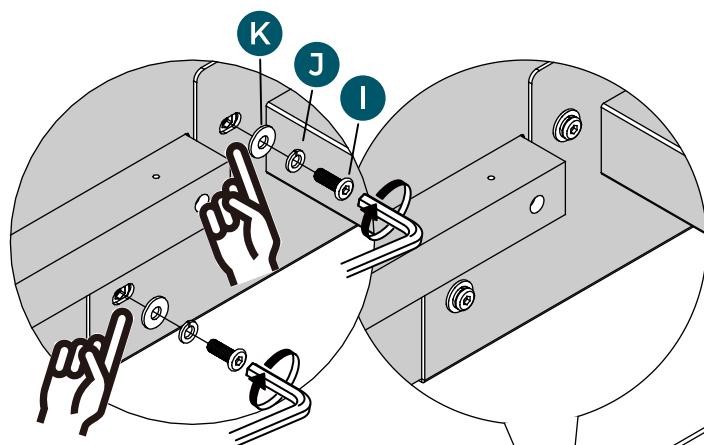
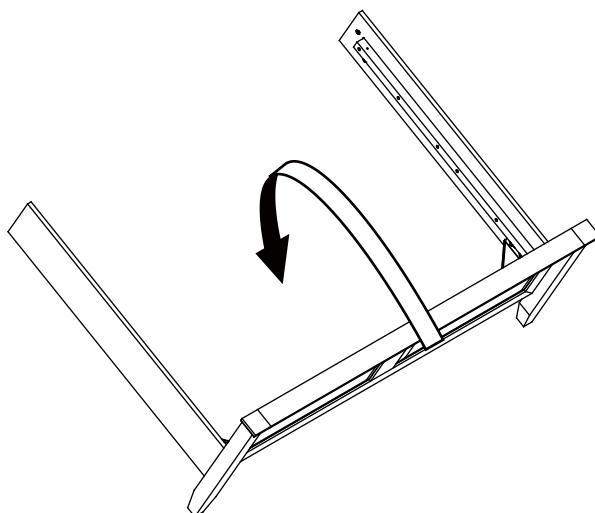
I x 4pcs



J x 4pcs



K x 4pcs



Assembly Instructions

Step 31

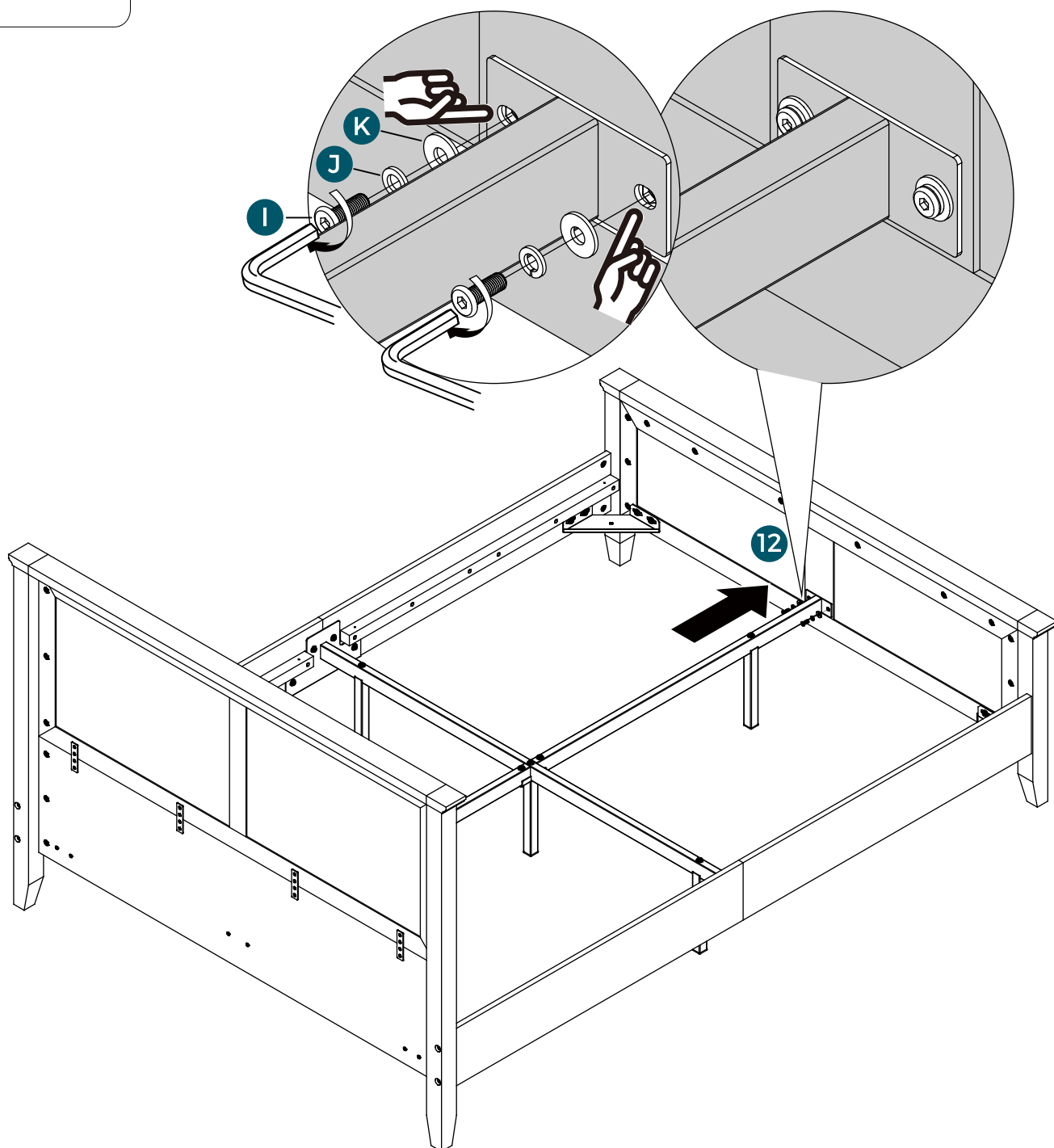
I x 2pcs



J x 2pcs



K x 2pcs



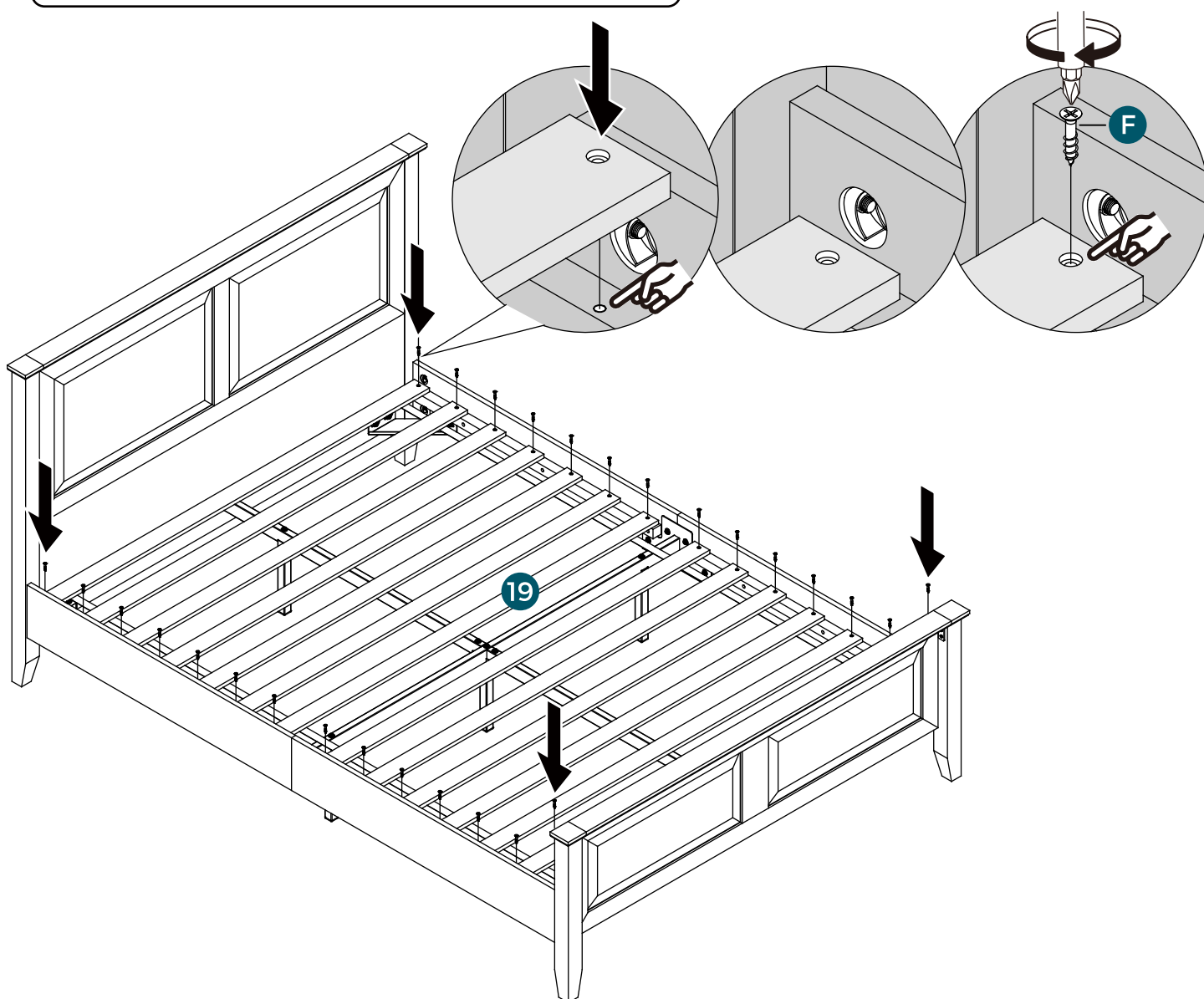
Assembly Instructions

Step 32

F x 28pcs

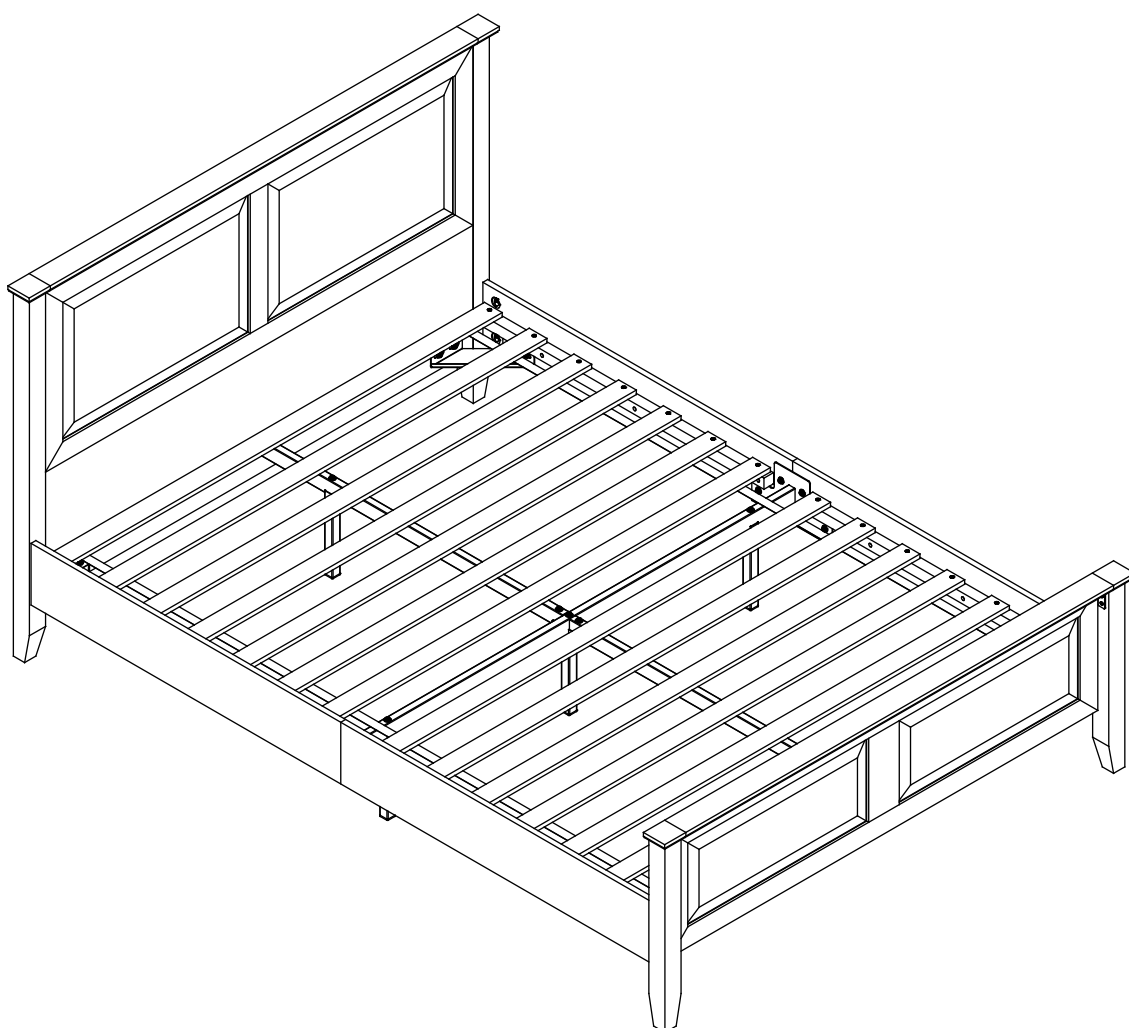


i Please prioritize tightening the screws in all four corners, and then lock the other screws.



Assembly Instructions

Step 33



Congratulations on owning a stable bed frame!
If you'd like to add more bedroom furniture, please feel free to follow us at any time.