

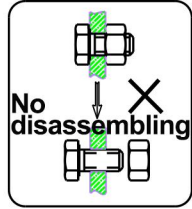
# User's Manual





# INSTALLATION STEPS

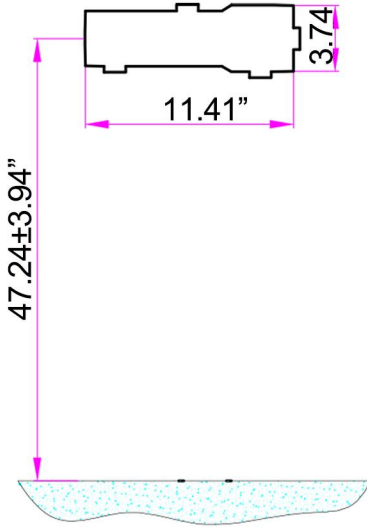
This product has been inspected and debugged by the factory to the best condition. Please do not disassemble and assemble it yourself.



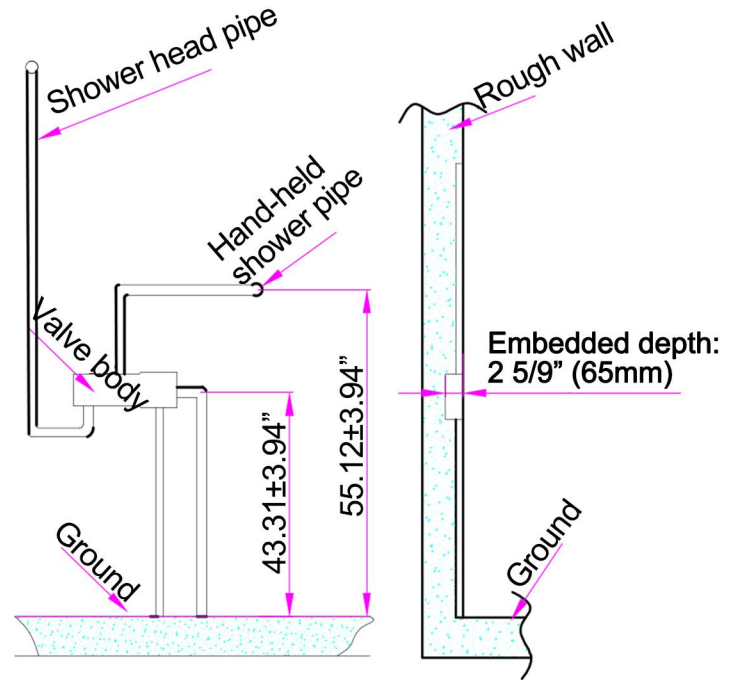
Before installing the product, please be sure to remove sundries and sludge from the water pipe to prevent sundries from blocking the product.



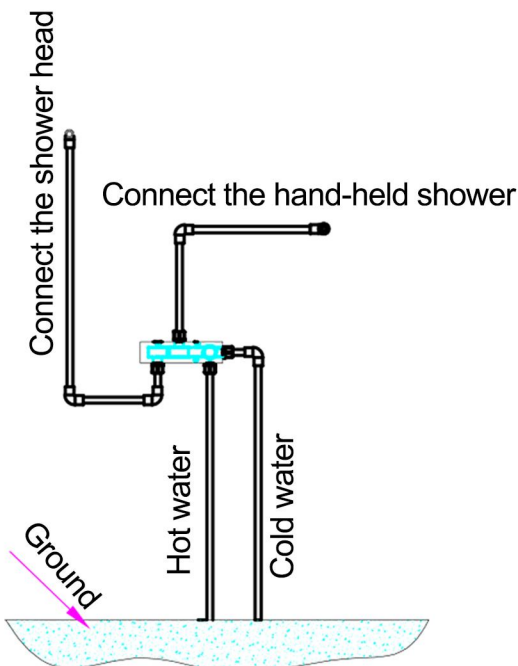
1. After leveling the blank wall, select the appropriate wall line according to the marking board.



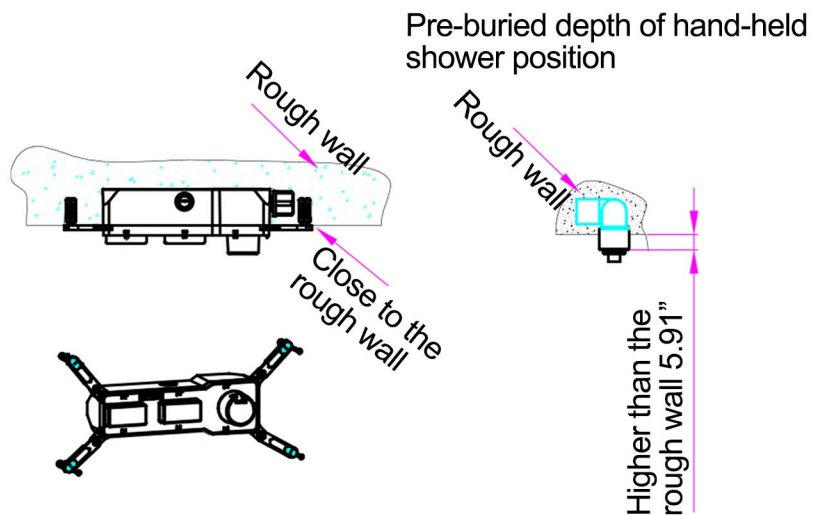
2. Chisel the wall according to the size indicated in the picture.



3. Connect the hot melt pipe as shown in the figure.

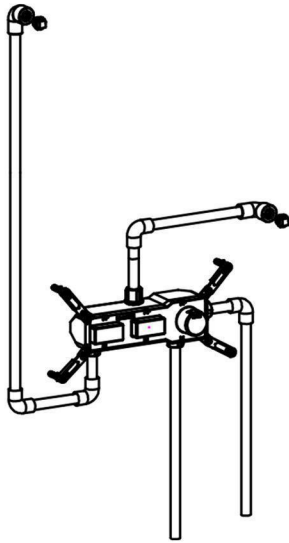


4. Press the four positioning pieces of the valve body against the rough wall according to the figure, punch the self-tapping screw hole, and tighten the screw after adjusting the level.

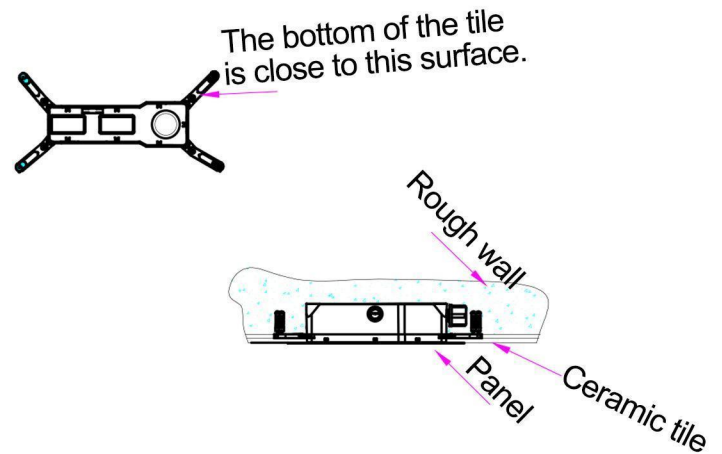


# INSTALLATION STEPS

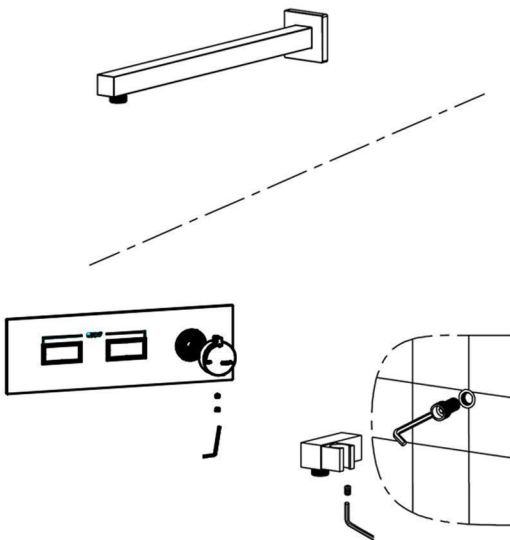
5. Plug the outlet, test the tightness, drain the sewage from the pipe and backfill the wall.



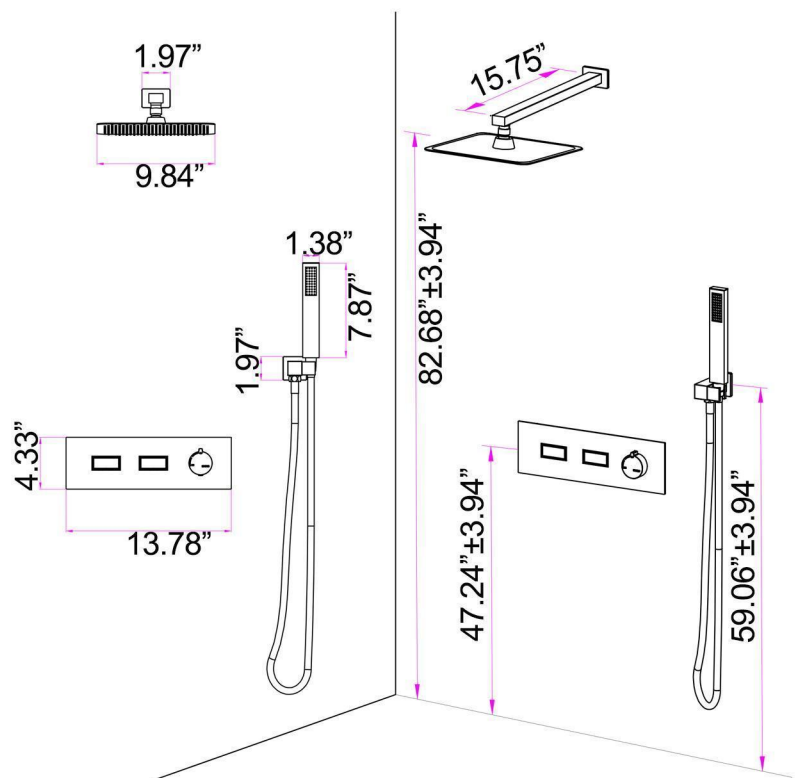
6. Ceramic tile hole 25\*8cm. Four positioning films must be closely attached to the appropriate mud. (tile + mud thickness must not exceed 2.2cm) After finishing the decoration of the ceramic tile wall, take out the cover of the embedded box and install the panel.



7. Install the handle according to the direction in the picture. Install upper outlet pipe and hand-held shower bracket. (wrap the PTFE tape on the thread.)



8. Install the rain shower head and hand-held shower head.



## CLEANING CARE

In order to keep the appearance of product clean, bright and good performance, please take care of the product as follows;

1. Rinse with water only and dry with soft cotton cloth;
2. Use mild liquid and colorless glass cleaner to remove surface dirt and scale film, or use polish without abrasive effect;
3. Do not use abrasive detergent, polish, emery cloth, paper towel or scraper, etc;
4. Do not use acid cleaner, or cleaner and soap with insoluble gran etc;
5. In the process of use, mud may accumulate in the bubbler and make the water flow show, The bubbler can be unscrewed, rinsed with water, and then installed back in place.



