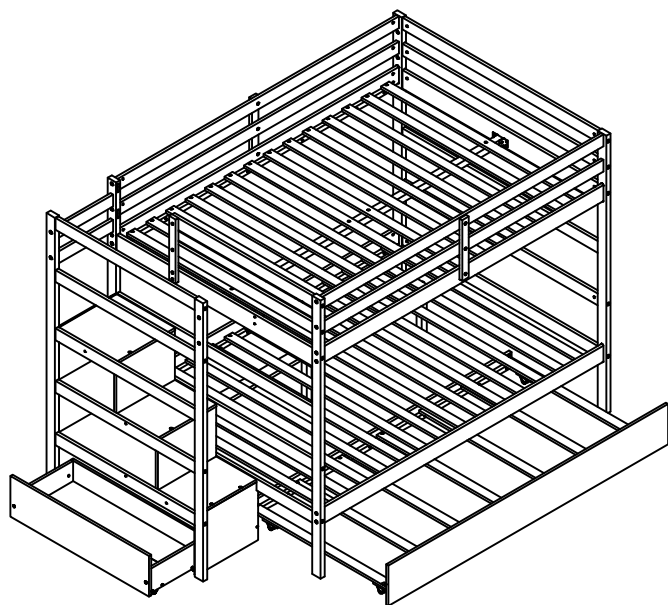


ASSEMBLY INSTRUCTIONS

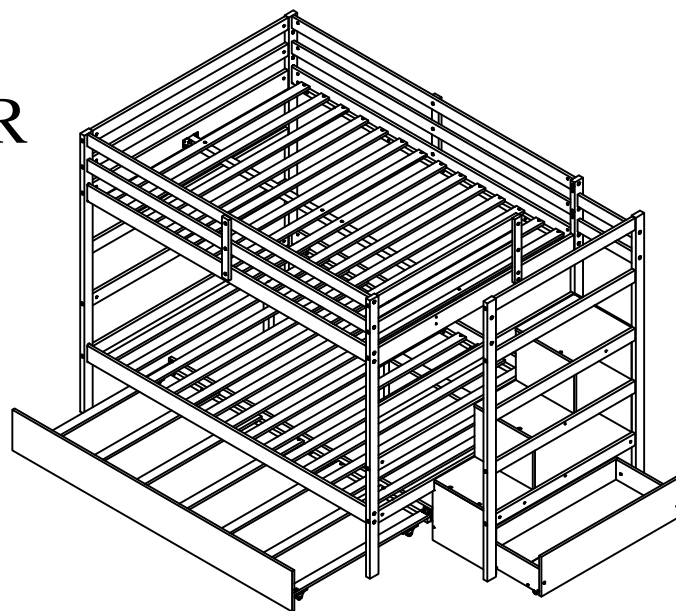
BUNKBED WITH TRUDLE

Type 1



OR

Type 2



WF286737/WF286738



SAFETY WARNING



1. This bed is designed for use only mattress (es) meeting the following specifications on the upper bunk, and lower bunk:

Down bed

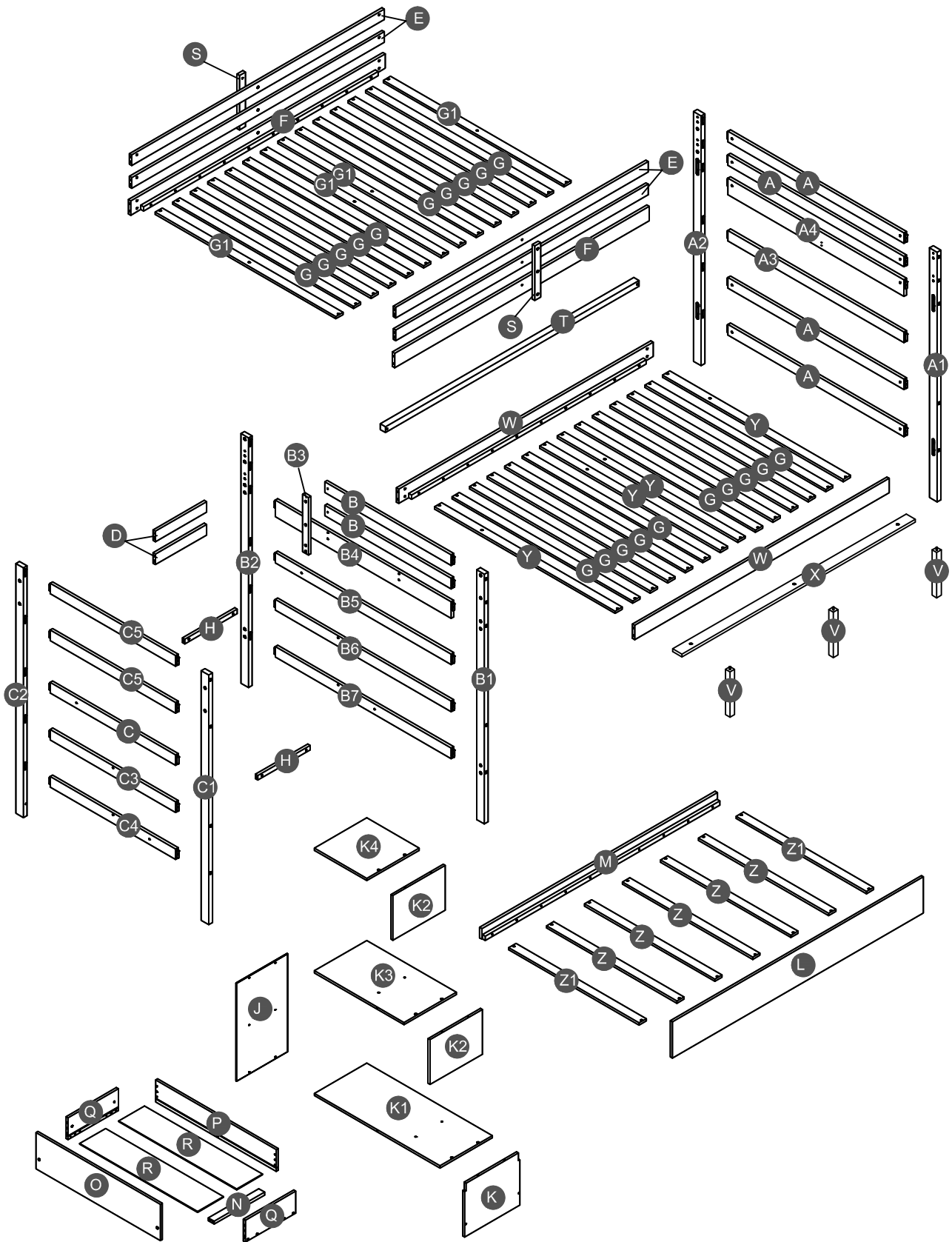
Bed type	Length	With	Thickness
Full Standard	74"-75"	53 1/2"	8" max

Up bed (Bunk bed and tribed included)

Bed type	Length	With	Thickness
Full Standard	74"-75"	53 1/2"	6" max

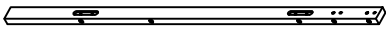
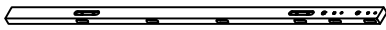

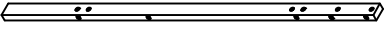
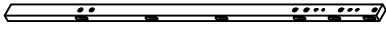
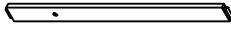
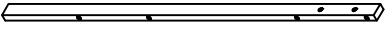
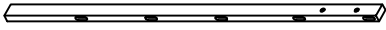
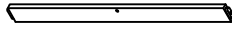

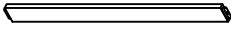
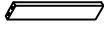


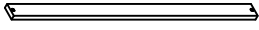
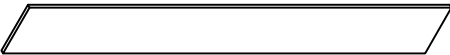
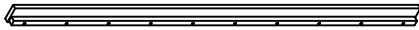
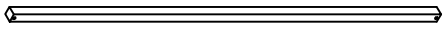
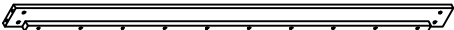
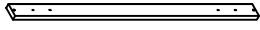

2. Replacement parts, including additional guardrails, maybe obtained from any of our (GIGACLOUD TECHNOLOGY (USA) INC.) dealers
3. Follow the information on the warnings appearing on the upper bunk bed end structure and on the carton. Do not remove warning label from bed.
4. Always use the recommended size mattresses or mattress supports, or both, to help prevent the likelihood of entrapment or falls.
5. Surface of mattress must be at least 5" (127mm) below the upper edge of guardrails.
6. Do not allow children under 6 years of age to use the upper bunk.
7. Periodically check and ensure that the guardrail, ladder, and other components are in their proper position, free from damage, and that all connectors are tight.
8. Do not allow horseplay on or under the bed and prohibit jumping on the bed.
9. Always use the ladder for entering and leaving the upper bunk.
10. Do not use substitute part. Contact the manufacture or dealer for replacement part.
11. Use of a night light may provide added safety precaution for a child using the upper bunk.
12. Always use guardrails on both long sides of the upper bunk. If the bunk bed will be placed next to the wall, the guardrail that runs the full length of the bed should be placed against the wall to prevent entrapment between the bed and wall.
13. The use of water or sleep flotation mattresses is prohibited.
14. STRANGULATION HAZARD - Never attach or hang items to any part of the bunk bed that are not designed for use with the bed; for example, but not limited to, hook, belts and jump ropes.
15. Keep these instruction for future reference.

Detail View :Type 1



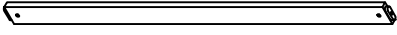
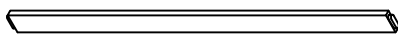
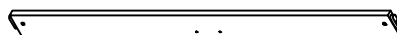
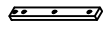
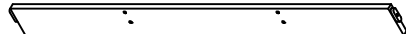
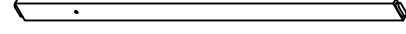
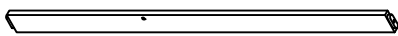
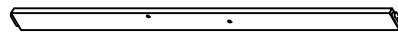
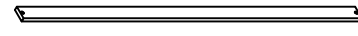
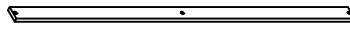
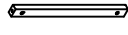
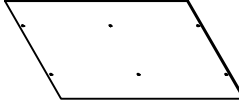
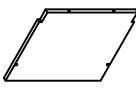
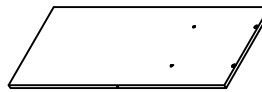
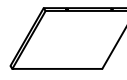

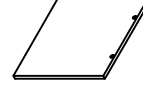
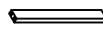
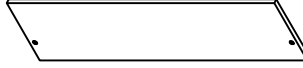

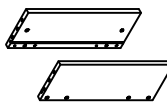
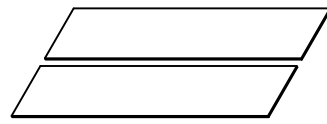
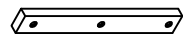
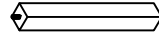
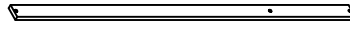
Part List

Hardware List WF286737



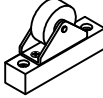
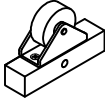
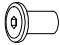
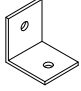
A1  Leg HB (front) - 1pc	A2  Leg HB (back) - 1pc	B  Horizontal bar - 2pcs
B1  Leg FB (front) - 1pc	B2  Leg FB (back) - 1pc	C  Horizontal bar - 1pc
C1  Leg FB (front) - 1pc	C2  Leg FB (back) - 1pc	C3  Horizontal bar - 1pc
C4  Horizontal bar - 1pc	C5  Horizontal bar - 2pcs	D  Back guard - 2pcs
E  guard rail - 4pcs	F  Upper side rail(front/back)-2pcs	Z  Trundle Slats - 5pcs
L  Front panel of trundle- 1pc	M  Back panel side rail of trundle- 1pc	T  Slat support - 1pc
W  Lower side rail(front/back)-2pcs	Z1  Trundle Slats - 2pcs	X  Lower support slat - 1pc

Part List

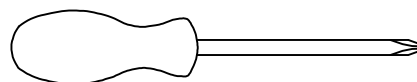
WF286738

<p>A</p>  <p>Horizontal bar - 4pcs</p>	<p>A3</p>  <p>Horizontal bar - 1pc</p>	<p>A4</p>  <p>Horizontal bar - 1pc</p>
<p>B3</p>  <p>Support guard rail - 1pc</p>	<p>B4</p>  <p>Horizontal bar - 1pc</p>	<p>B5</p>  <p>Horizontal bar - 1pc</p>
<p>B6</p>  <p>Horizontal bar - 1pc</p>	<p>B7</p>  <p>Horizontal bar - 1pc</p>	<p>G</p>  <p>Slats - 20pcs</p>
<p>G1</p>  <p>Upper slats - 4pcs</p>	<p>H</p>  <p>Horizontal support - 2pcs</p>	<p>J</p>  <p>Back panel - 1pc</p>
<p>K</p>  <p>FOOTBOARD -1pc</p>	<p>K1</p>  <p>FOOTBOARD -1pc</p>	<p>K2</p>  <p>FOOTBOARD -2pcs</p>
<p>K3</p>  <p>FOOTBOARD -1pc</p>	<p>K4</p>  <p>FOOTBOARD -1pc</p>	<p>N</p>  <p>Drawer support - 1pc</p>
<p>O</p>  <p>Drawer front - 1pc</p>	<p>P</p>  <p>Drawer back- 1pc</p>	<p>Q</p>  <p>Drawer (left/right) -2pcs</p>
<p>R</p>  <p>Drawer bottom - 2pcs</p>	<p>S</p>  <p>Vertical guard rail - 2pcs</p>	<p>V</p>  <p>Lower slat support- 3pcs</p>
<p>Y</p>  <p>Lower slats - 4pcs</p>		

Hardware List

1  Ø10*40mm Wood dowel (12pcs)	2  Ø8*30mm Wood dowel (12pcs)	3  (Ø15)1/4"*100mm Hex-Head bolts (26pcs)
4  (Ø15)1/4"*80mm Hex-Head bolts (28pcs)	5  (Ø12)1/4"*60mm Hex-Head bolts (22pcs)	6  (Ø12)1/4"*30mm Hex-Head bolts (10pcs)
7  1/4"*15 (9.5mm) Horizontal-Hole bolts(76pcs)	8  Ø3.5*15mm Wood screws (34pcs)	9  40*18*18*2mm Metal bracket (2pcs)
10  (Ø12)1/4"*40mm Hex-Head bolts (2pcs)	11  (1/4")4.5*58mm Allen key (2pcs)	12  Ø4*30mm Wood screws (94pcs)
13  95*95*18*3mm Metal bracket (2pcs)	14  100*63*20 mm Wheels (4pcs)	15  Ø10*20mm Wood dowel (4pcs)
16  100*20*54mm Wheels (4pcs)	17  (Ø12)1/4"*40mm Hex-Head bolts (1pc)	18  116*40*27mm Hooks(2pcs)
19  (Ø13)1/4" x 9/16" Hex Cap (2pcs)	20  24*28*28*2mm Metal bracket (2pcs)	




ASSEMBLY TOOLS REQUIRED (NOT INCLUDED)

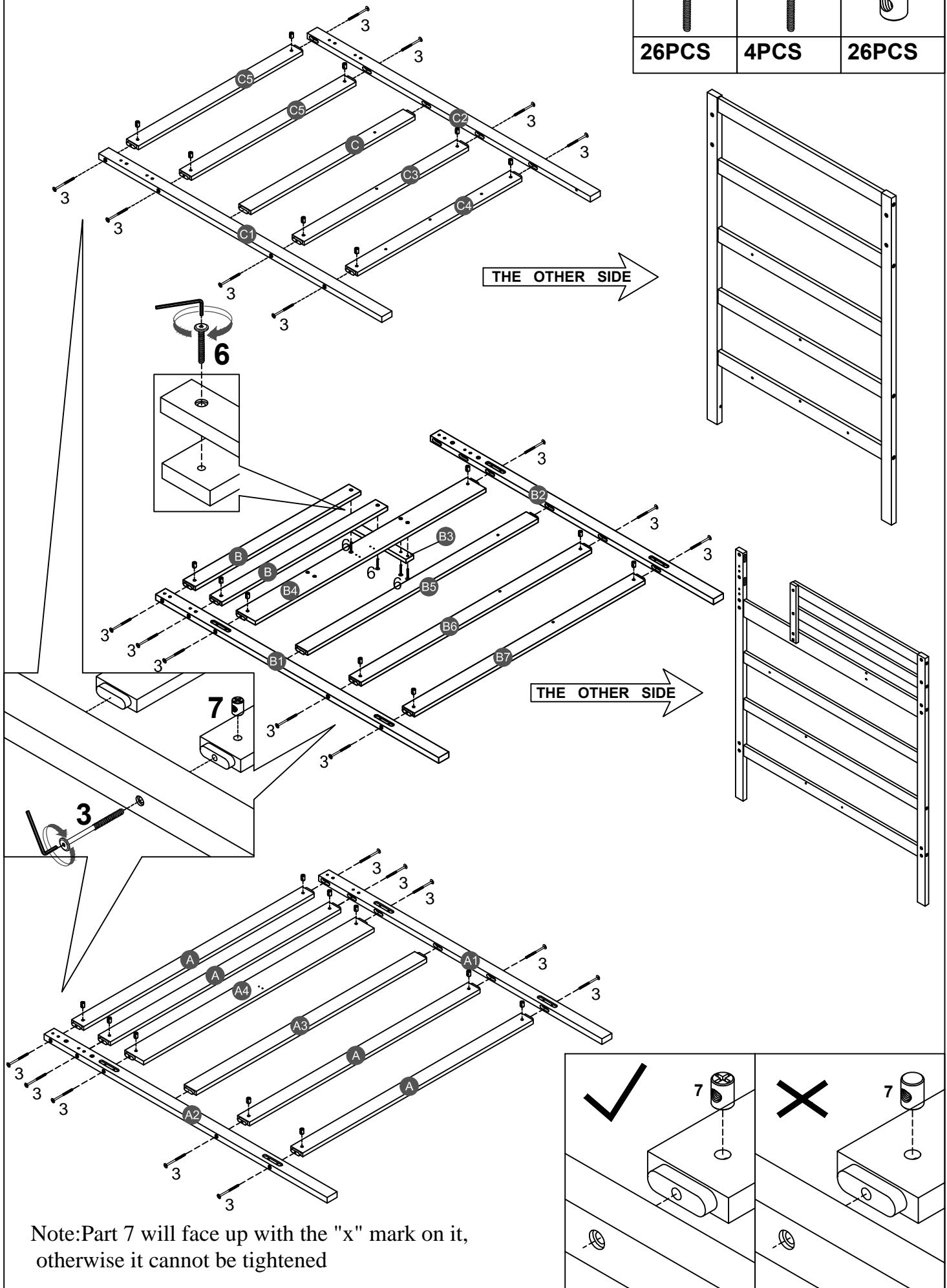


PLEASE BE CAREFUL DO NOT DAMAGE THE HOLE POSITION WHEN YOU USE POWER TOOLS !

STEP 1:

Type 1

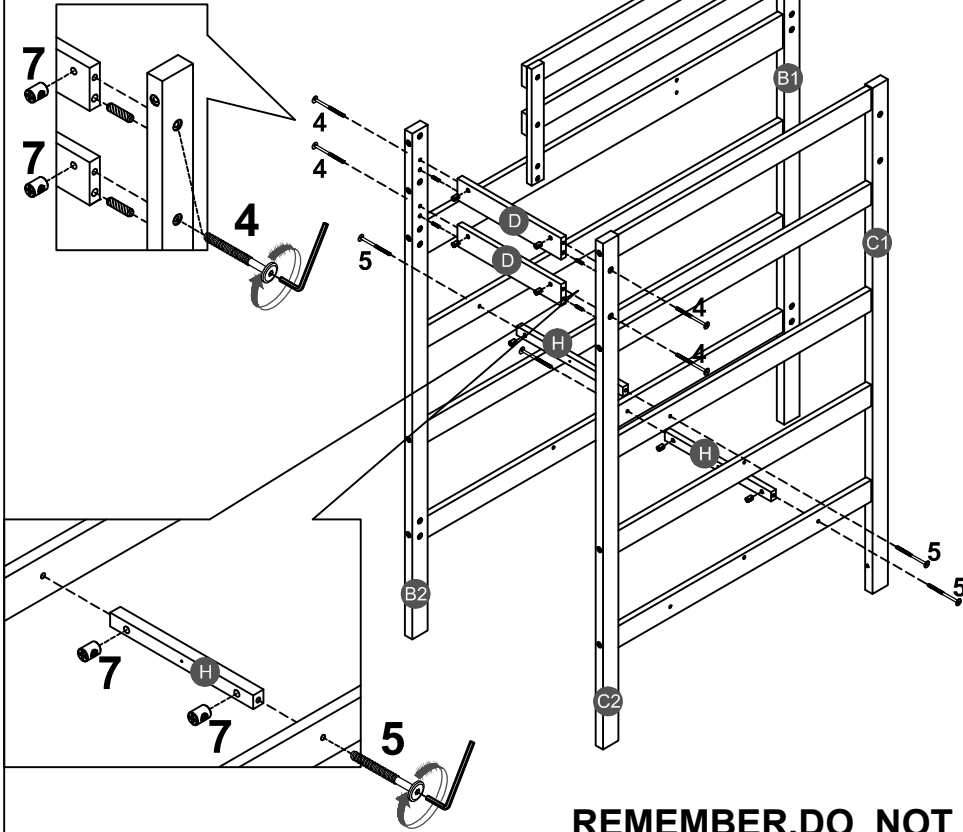
3 	6 	7 
26PCS	4PCS	26PCS







Note: Part 7 will face up with the "x" mark on it, otherwise it cannot be tightened

STEP 2:

Type 1

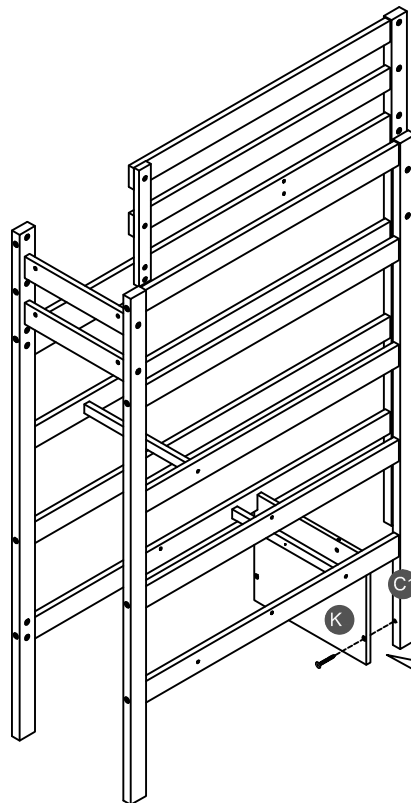


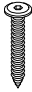
1		4		5	
4PCS		4PCS		4PCS	
				7	
				8PCS	

REMEMBER, DO NOT full tighten screws step 2---step 6 until step 6 is completed.

STEP 3:





Type 1

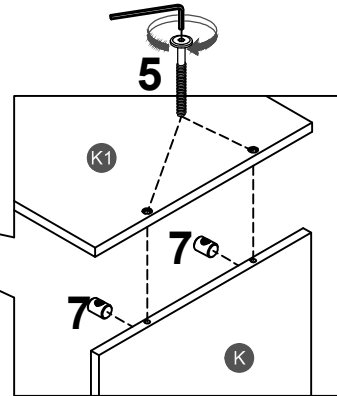
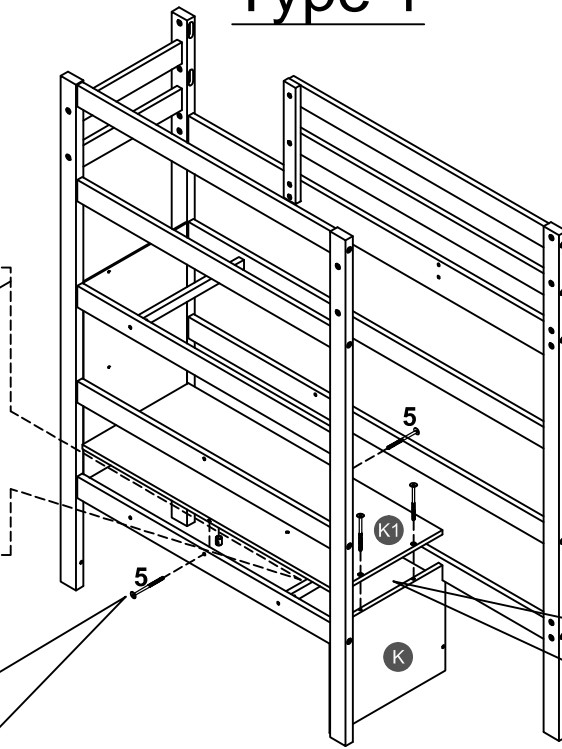
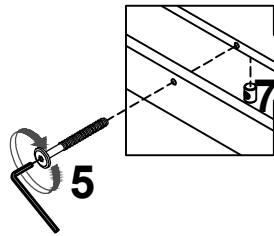
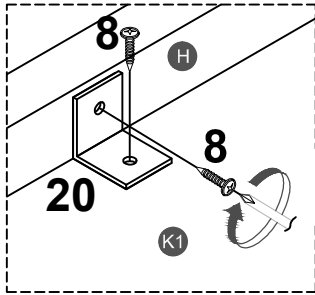


17	
1PC	

STEP 4:



Type 1

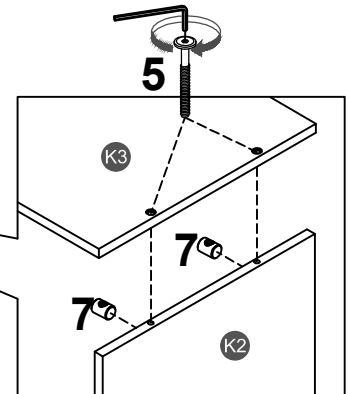
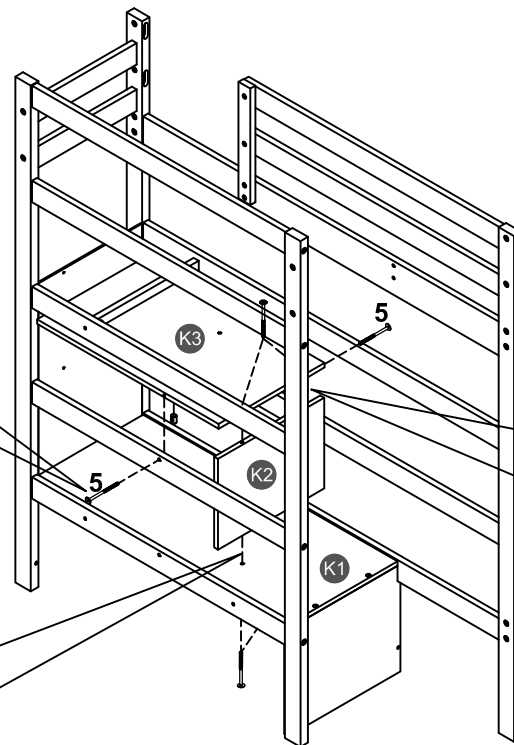
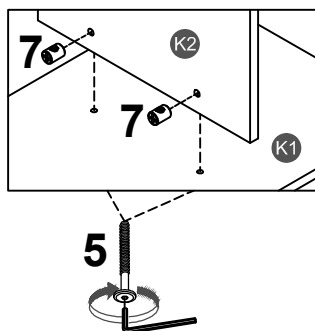
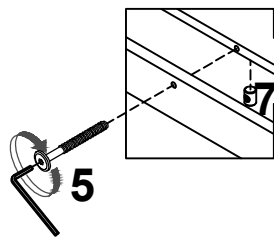
5		7		8	
4PCS		4PCS		2PCS	
					20
					
					1PC



STEP 5:





Type 1

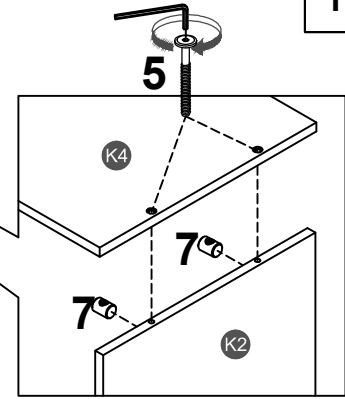
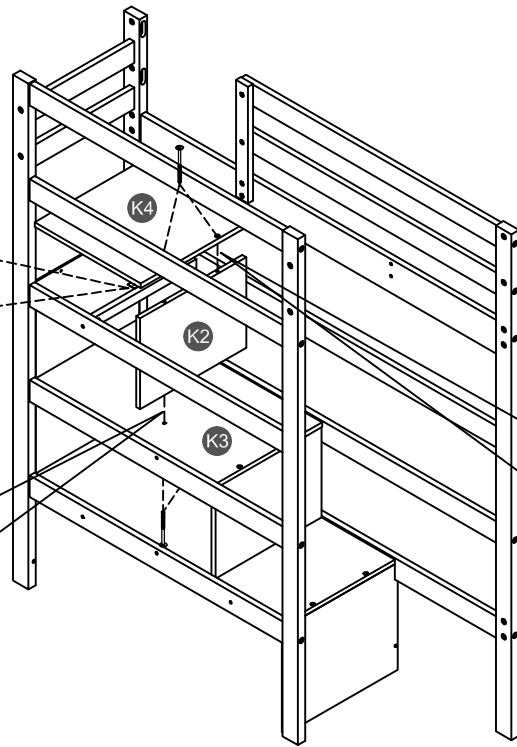
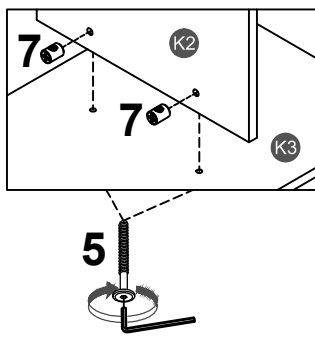
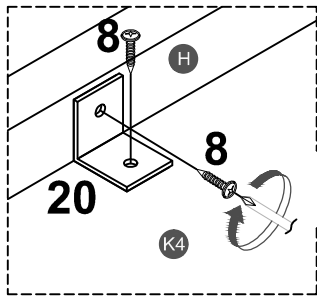
5		7	
6PCS		6PCS	



STEP 6:


Type 1

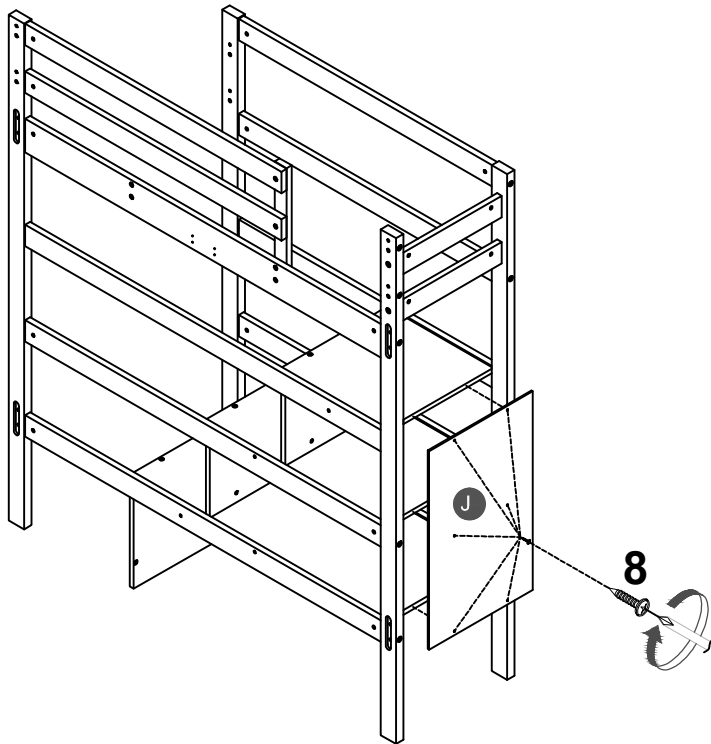
5		7		8	
4PCS		4PCS		2PCS	
					20
					
					1PC



STEP 7:





Type 1

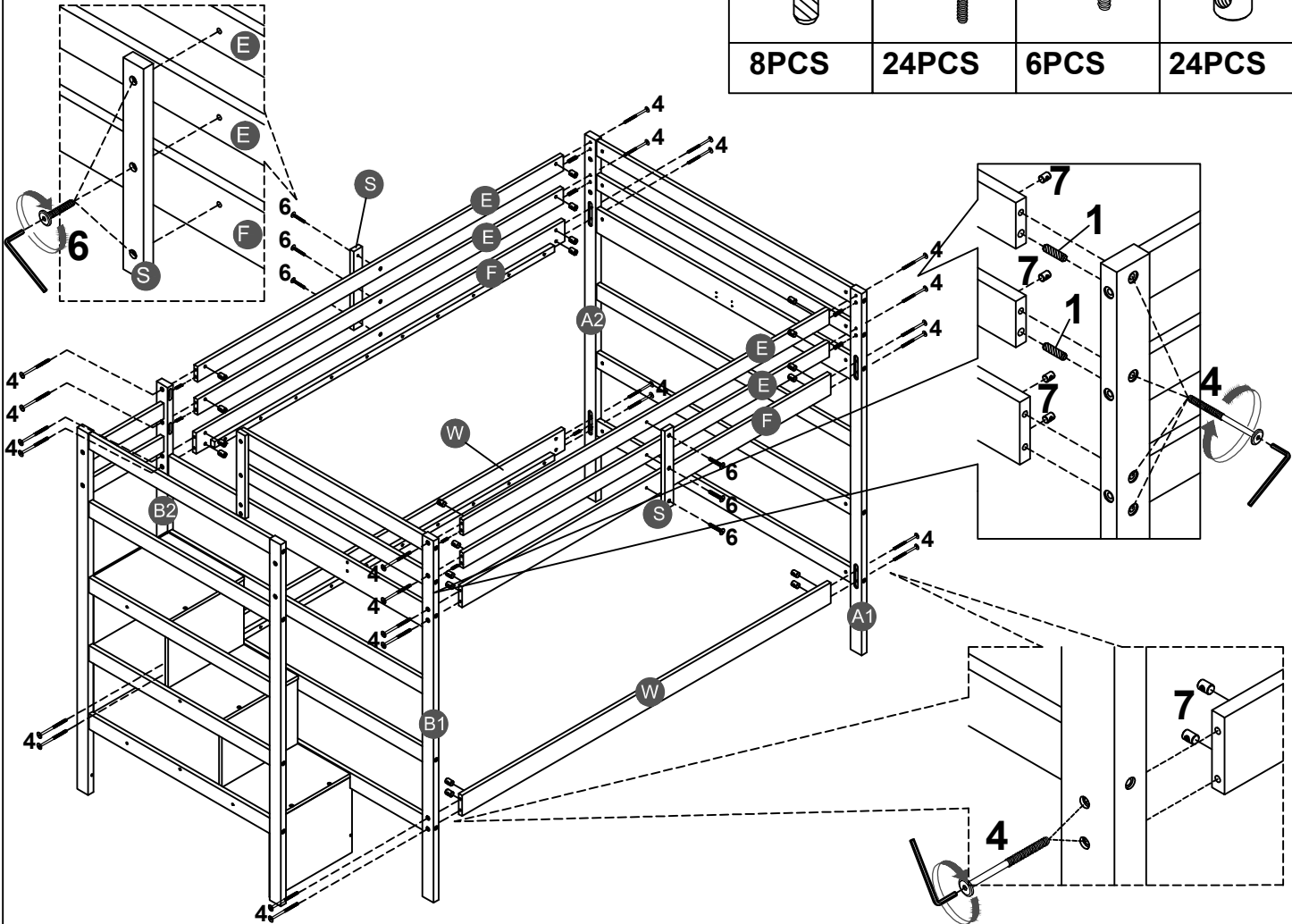
8	
6PCS	



STEP 8:



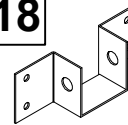
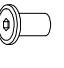
Type 1

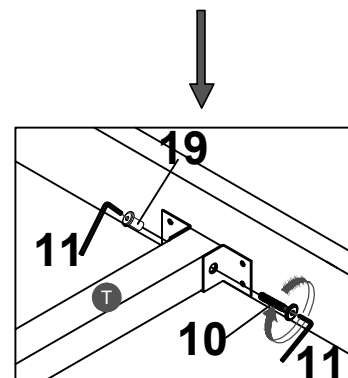
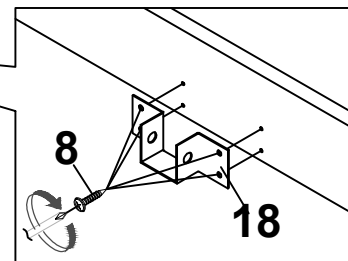
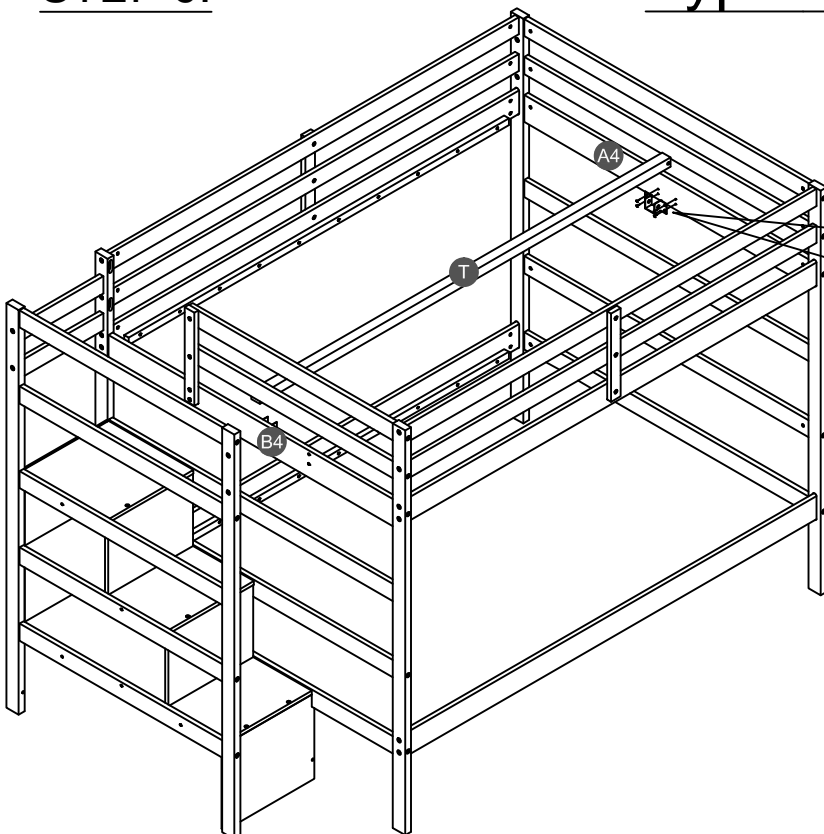
1 	4 	6 	7 
8PCS	24PCS	6PCS	24PCS



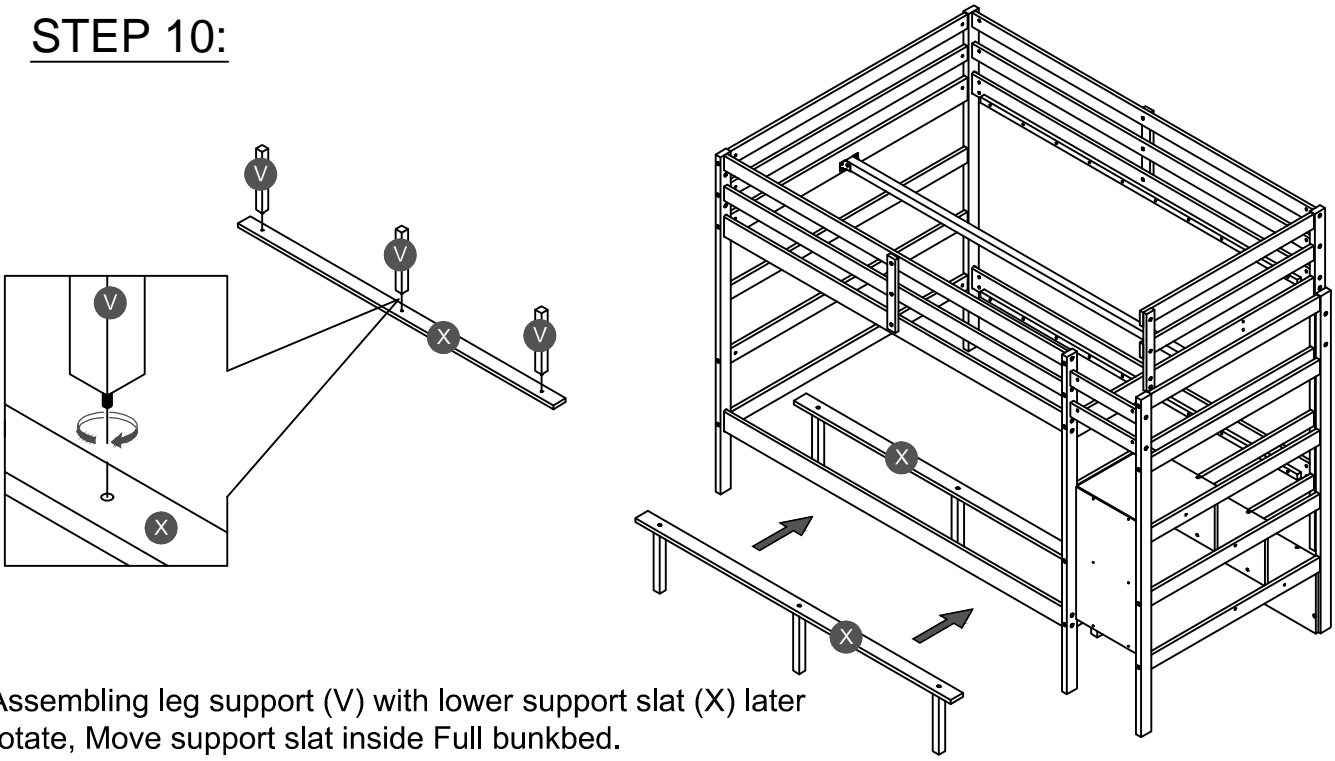
STEP 9:

Type 1

10 	8 
2PCS	8PCS
18 	2PCS
19 	2PCS



STEP 10:



Assembling leg support (V) with lower support slat (X) later rotate, Move support slat inside Full bunkbed.

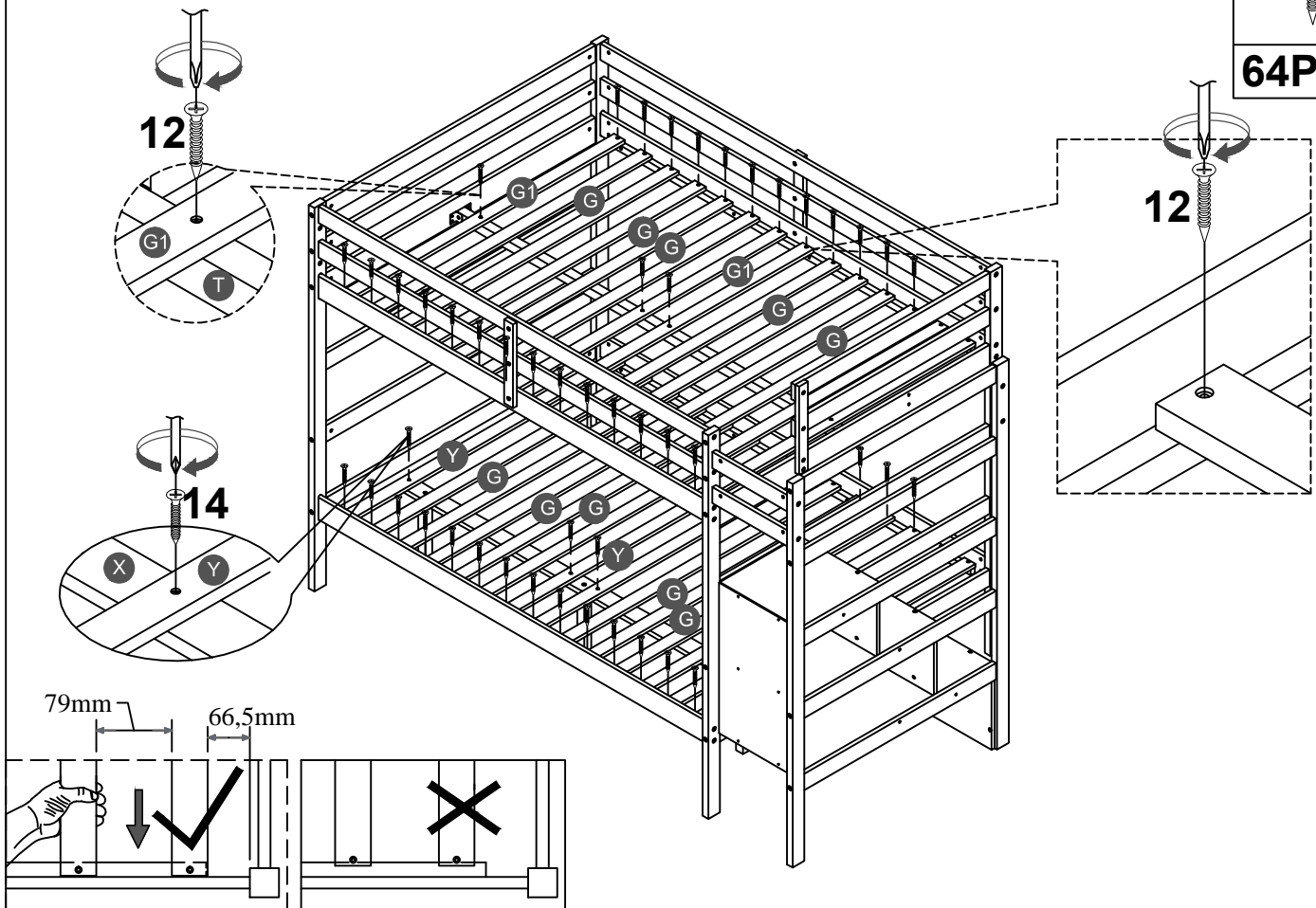
STEP 11:

Type 1

12



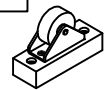

64PCS

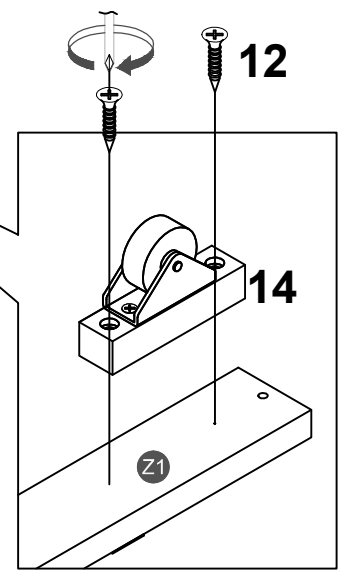
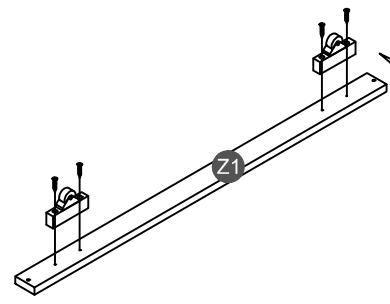
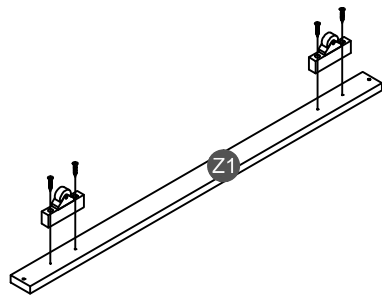


Note: Do not lock the screws of the bed slats to the outermost edge of the bed slats, you need to leave a certain space at the edges, otherwise it will cause the board to break.


Do not lock the bed slats on the edge of the wood, please hold firmly before screwing, hold it in place with one hand, then lock the screw.

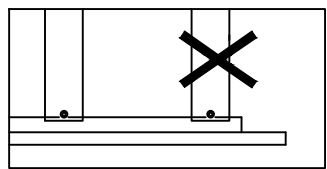
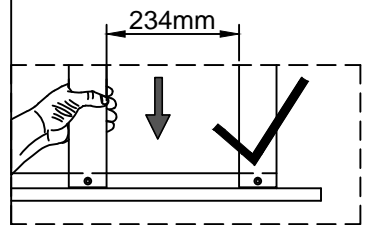
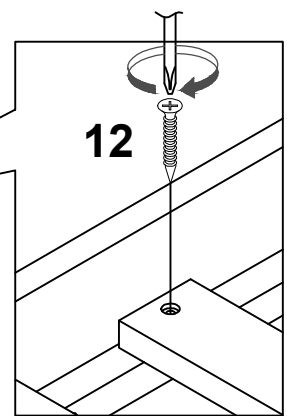
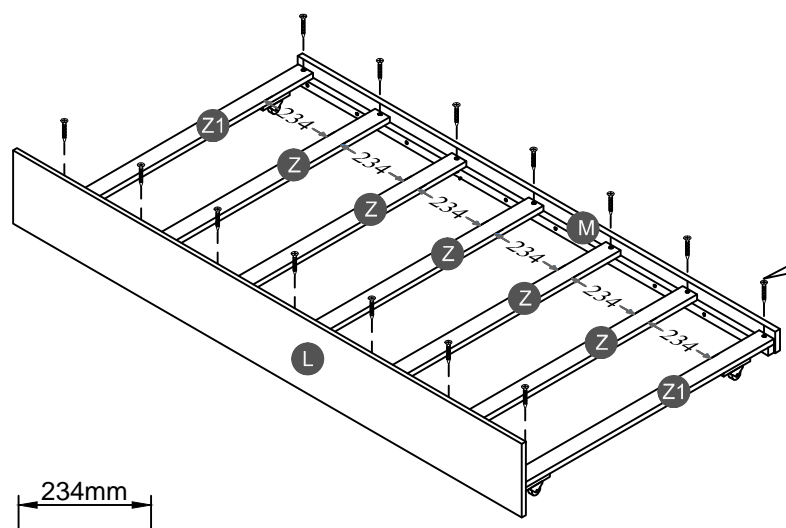
STEP 12:

14 	12 
4PCS	8PCS





STEP 13:

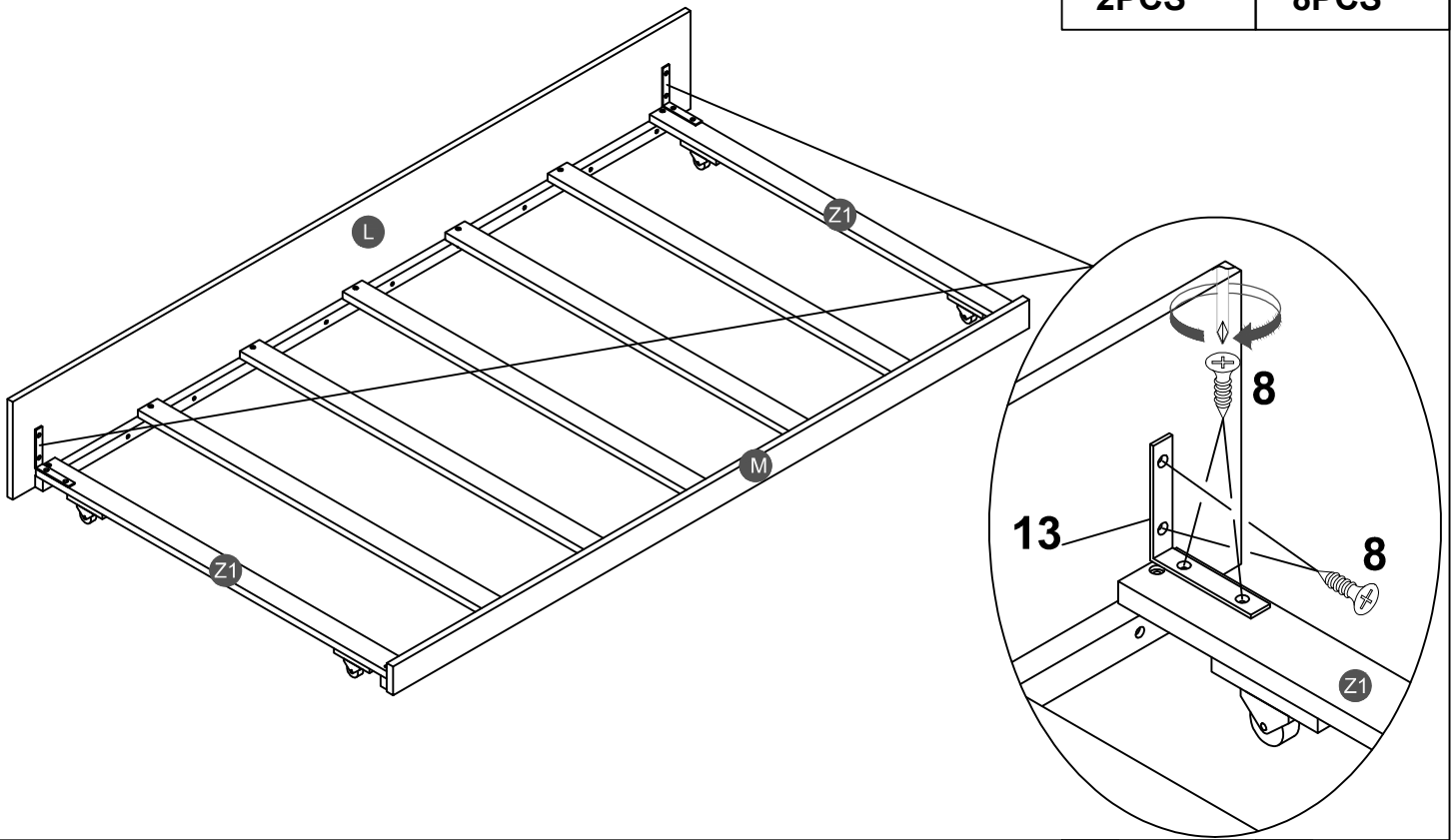
12 
14PCS




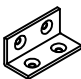
Note: Do not lock the screws of the bed slats to the outermost edge of the bed slats, you need to leave a certain space at the edges, otherwise it will cause the board to break.
Do not lock the bed slats on the edge of the wood, please hold firmly before screwing, hold it in place with one hand, then lock the screw.

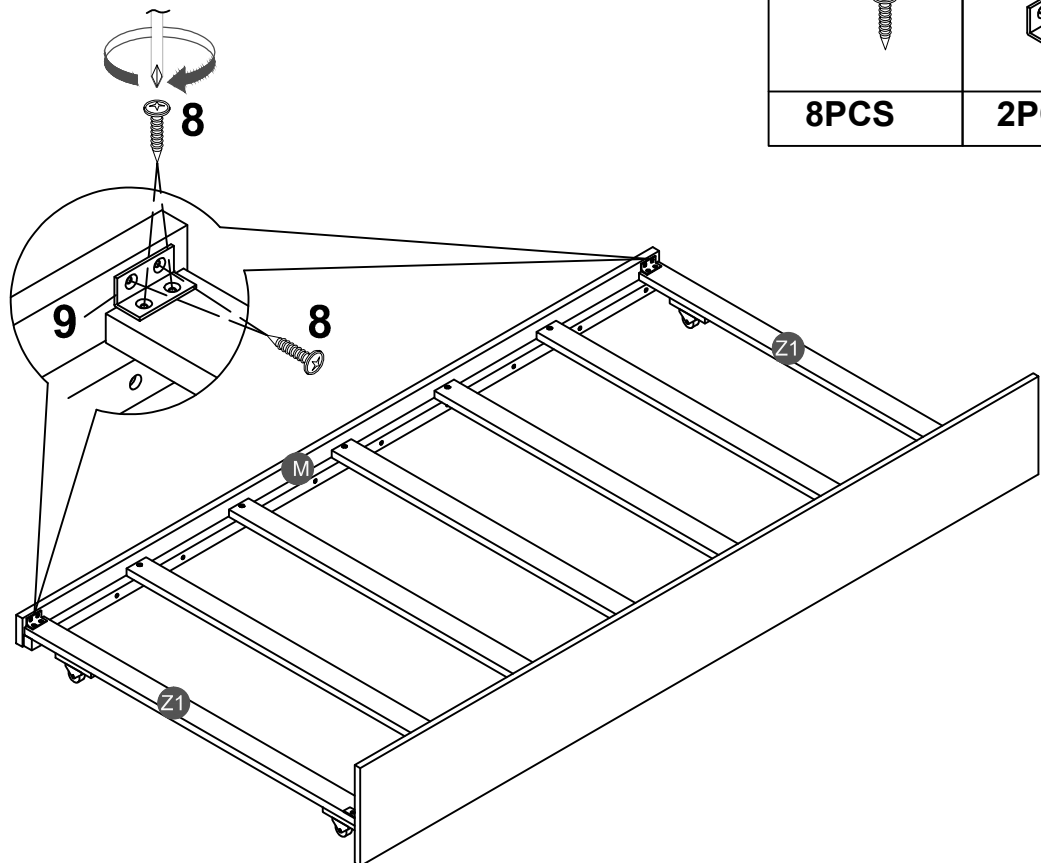
STEP 14:

13	8
	
2PCS	8PCS

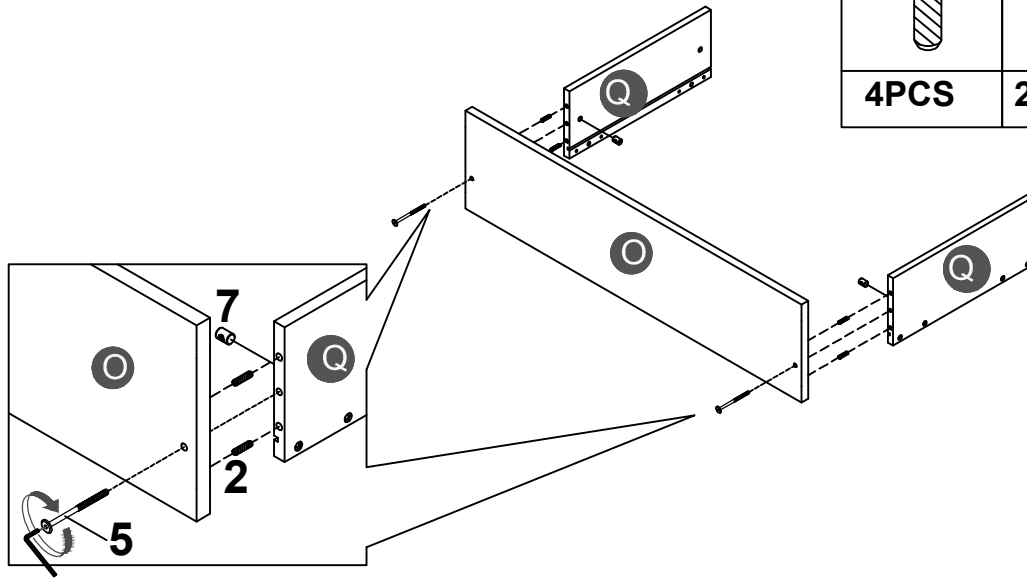





STEP 15:

8	9
	
8PCS	2PCS

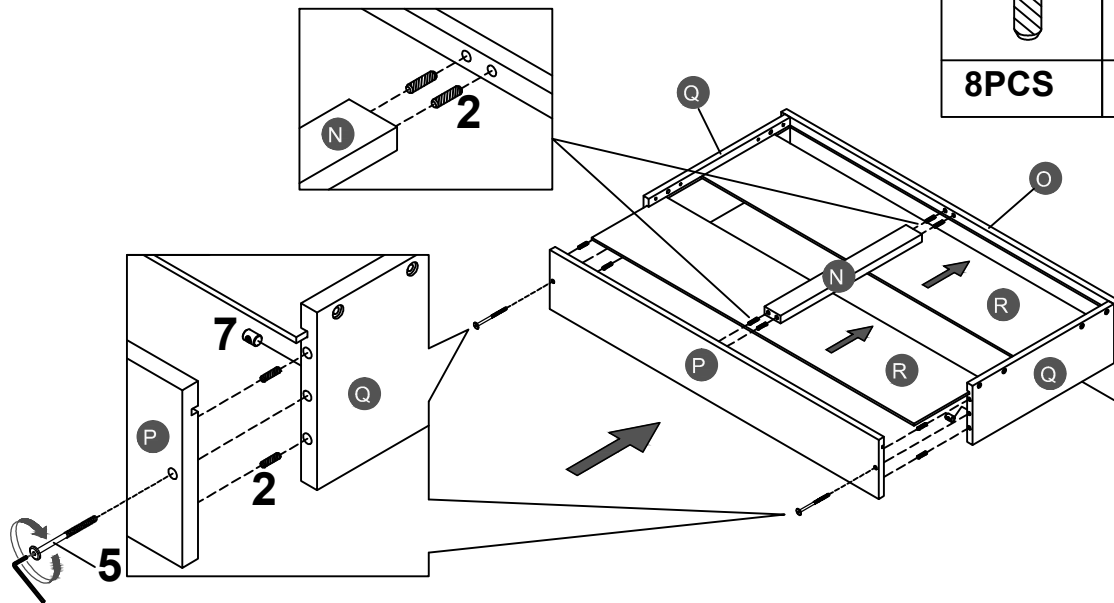





STEP 16:



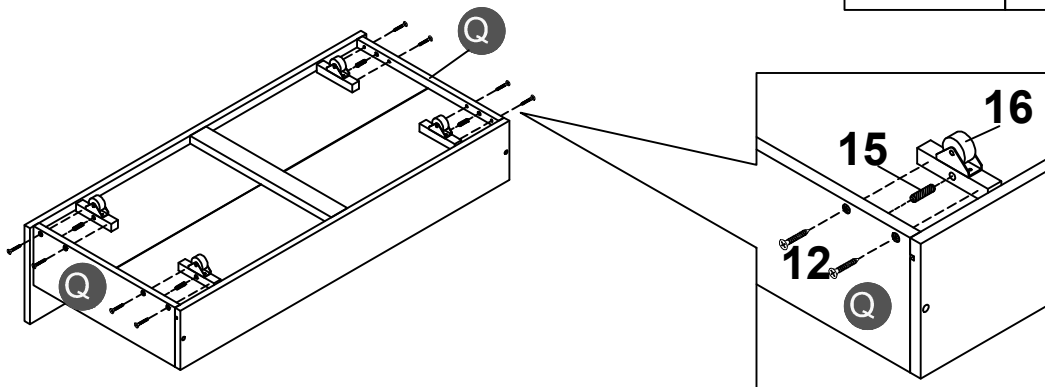
2		5		7	
4PCS		2PCS		2PCS	



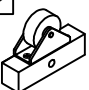
STEP 17:



2		7		5	
8PCS		2PCS		2PCS	

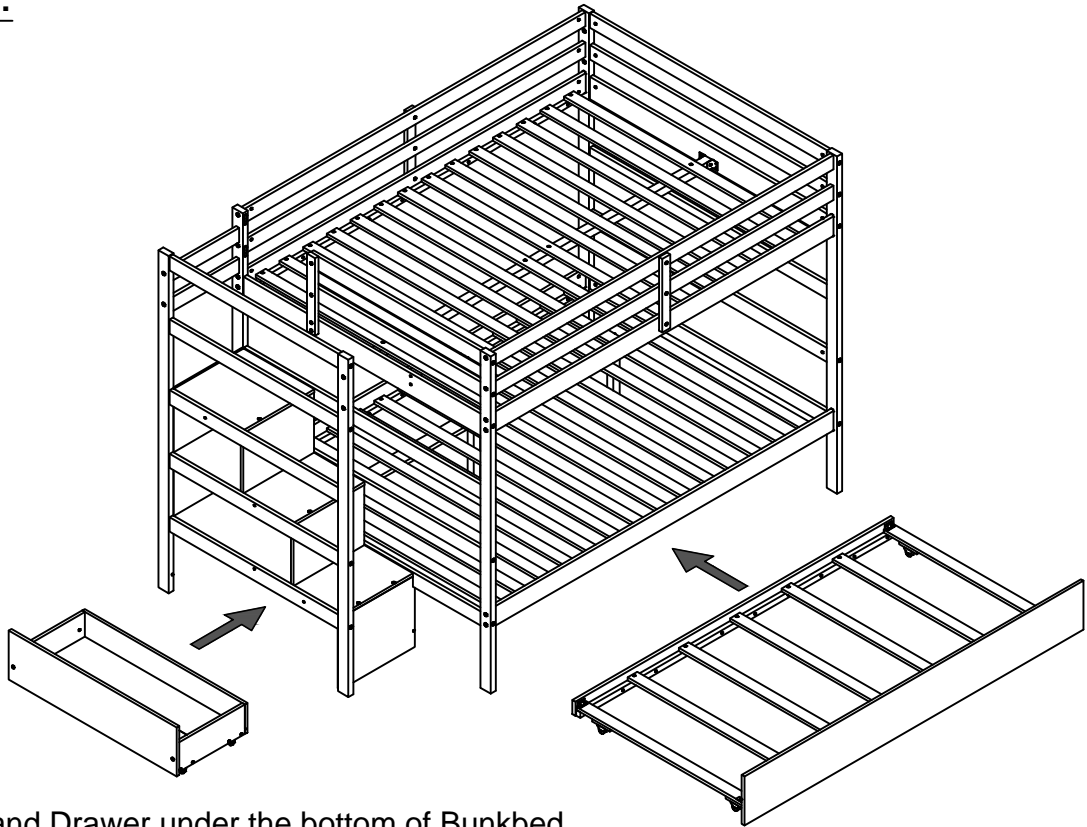
STEP 18:



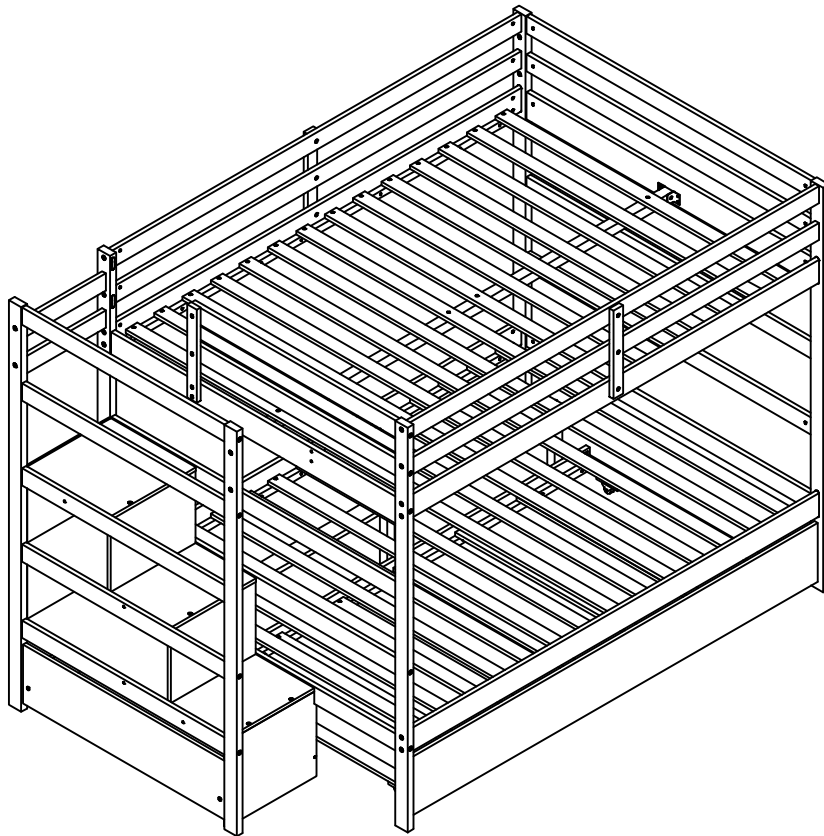
12		15		16	
8PCS		4PCS		4PCS	

STEP 19:

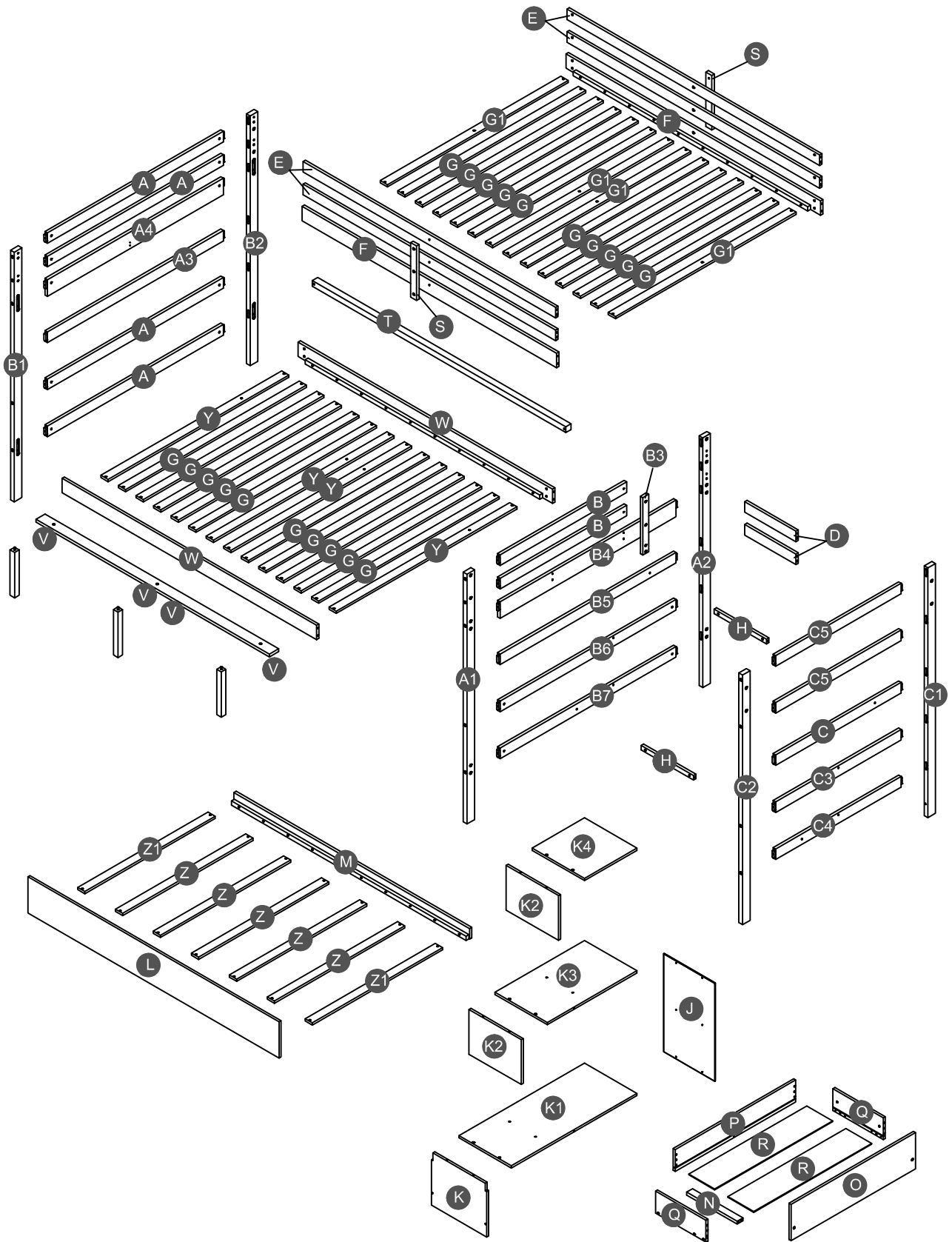
Type 1



Push Trundle and Drawer under the bottom of Bunkbed.






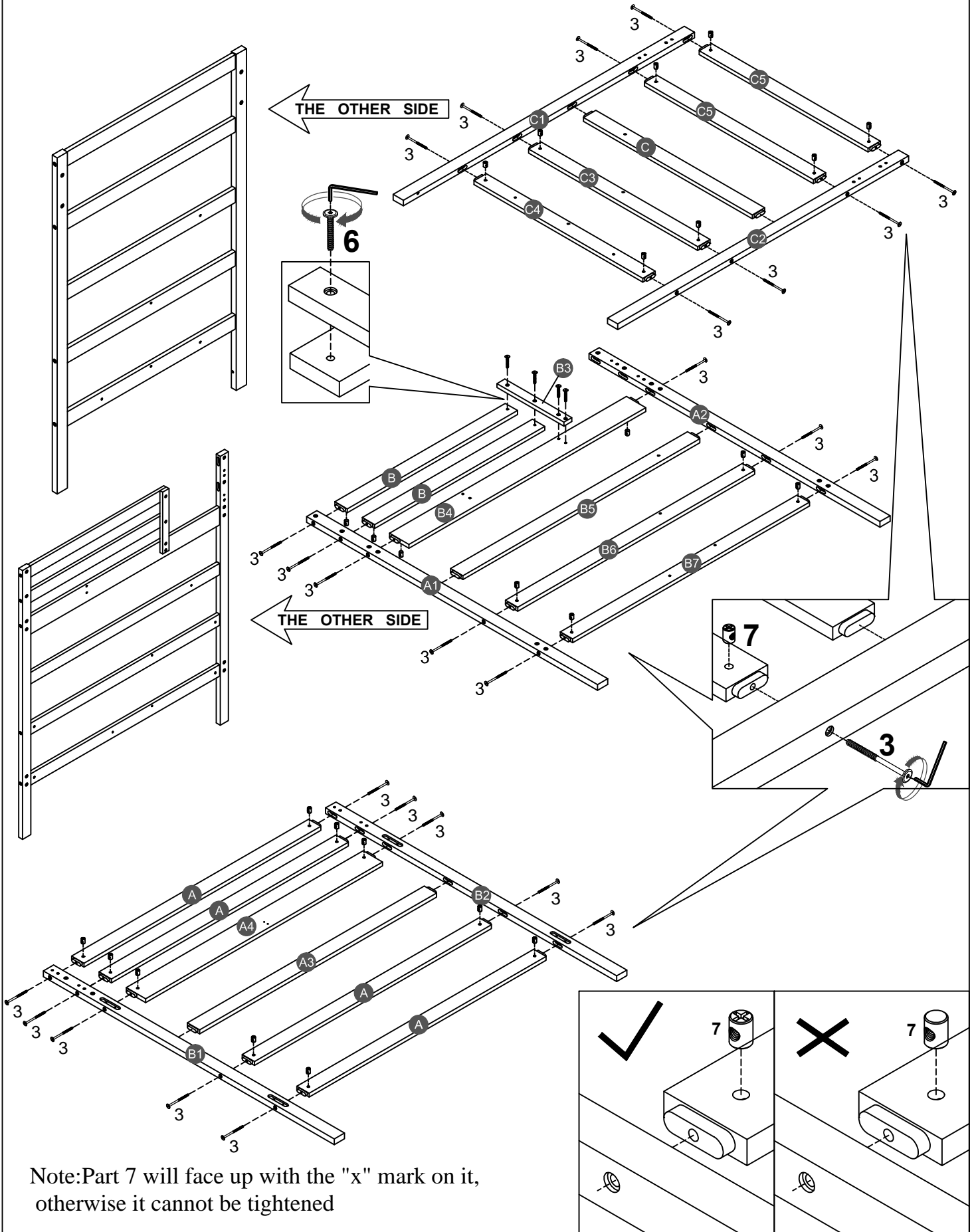
Detail View :Type 2



STEP 1:

Type 2





3 	6 	7 
26PCS	4PCS	26PCS

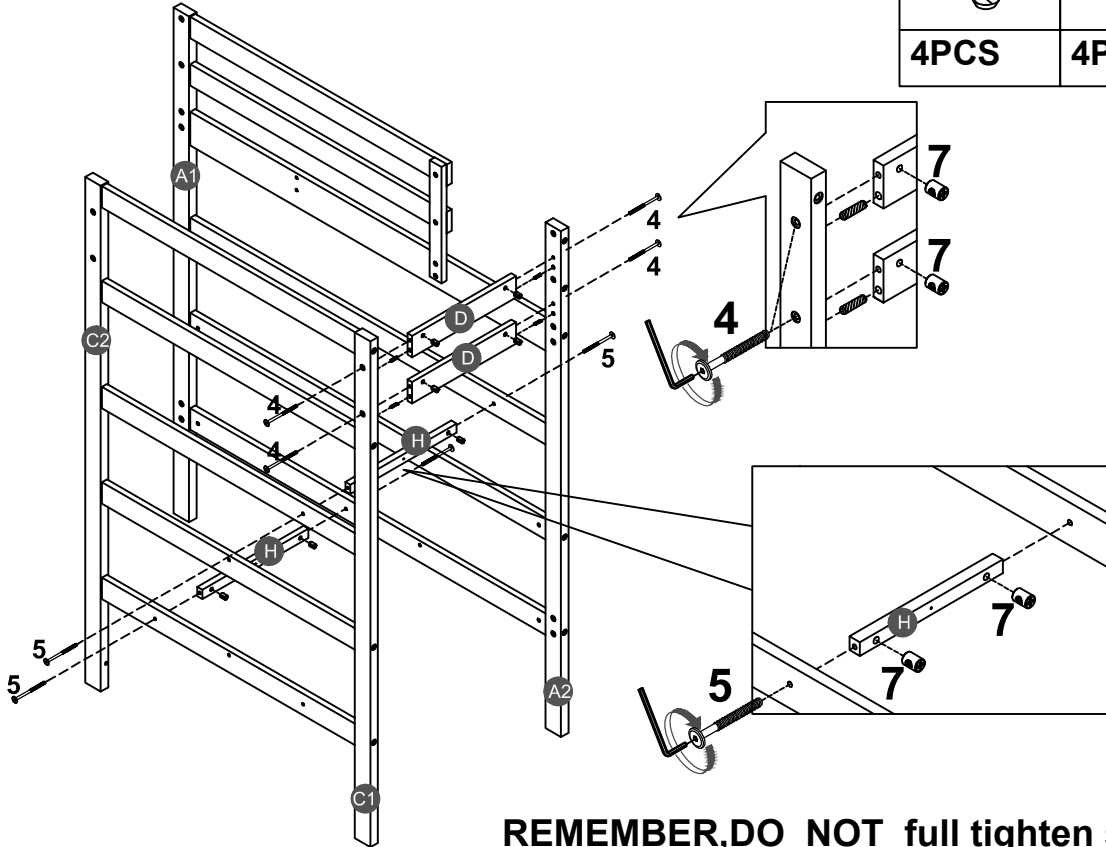


Note: Part 7 will face up with the "x" mark on it, otherwise it cannot be tightened

STEP 2:

Type 2

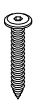
1		4		5	
4PCS		4PCS		4PCS	
				7	
				8PCS	

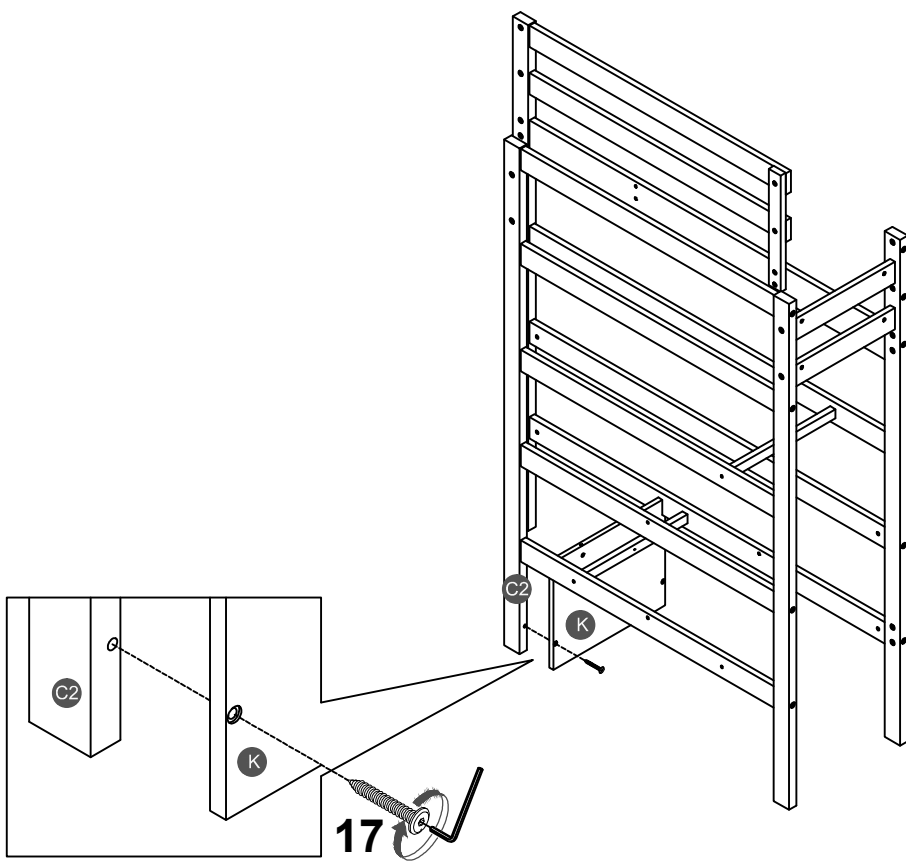


REMEMBER, DO NOT full tighten screws step 2---step 6 until step 6 is completed.

STEP 3:





Type 2

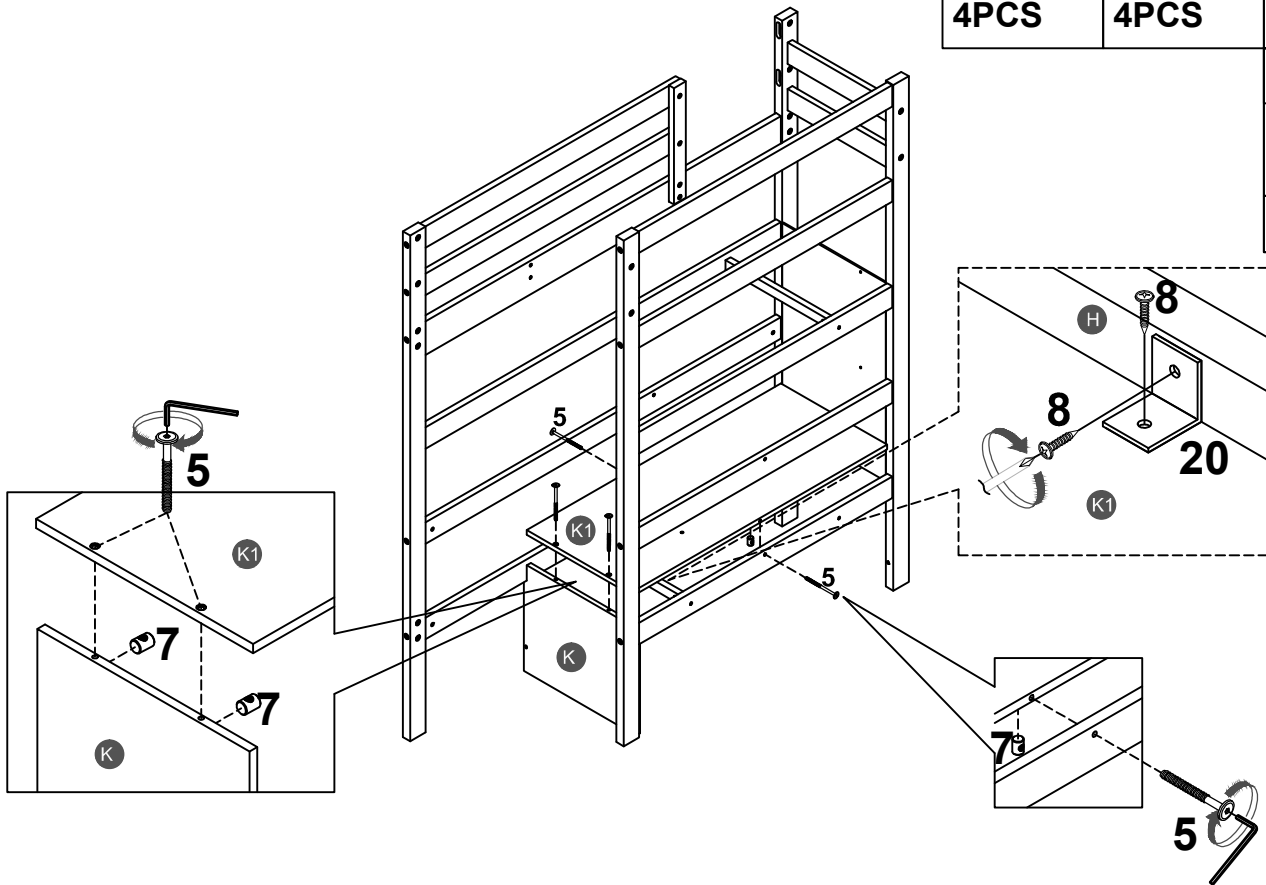
17	
1PC	



STEP 4:



Type 2

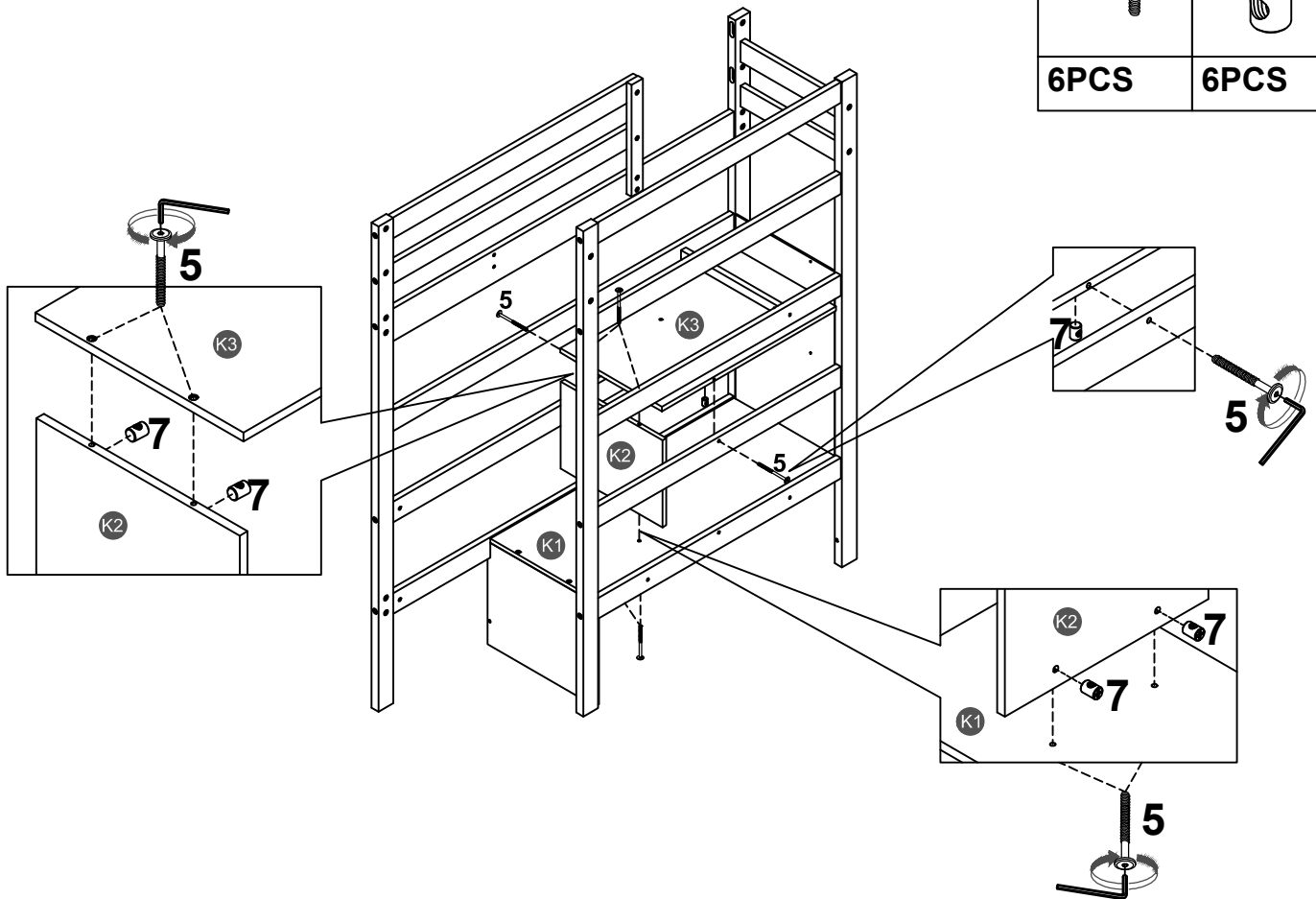
5		7		8	
4PCS		4PCS		2PCS	
					20
					
					1PC



STEP 5:





Type 2

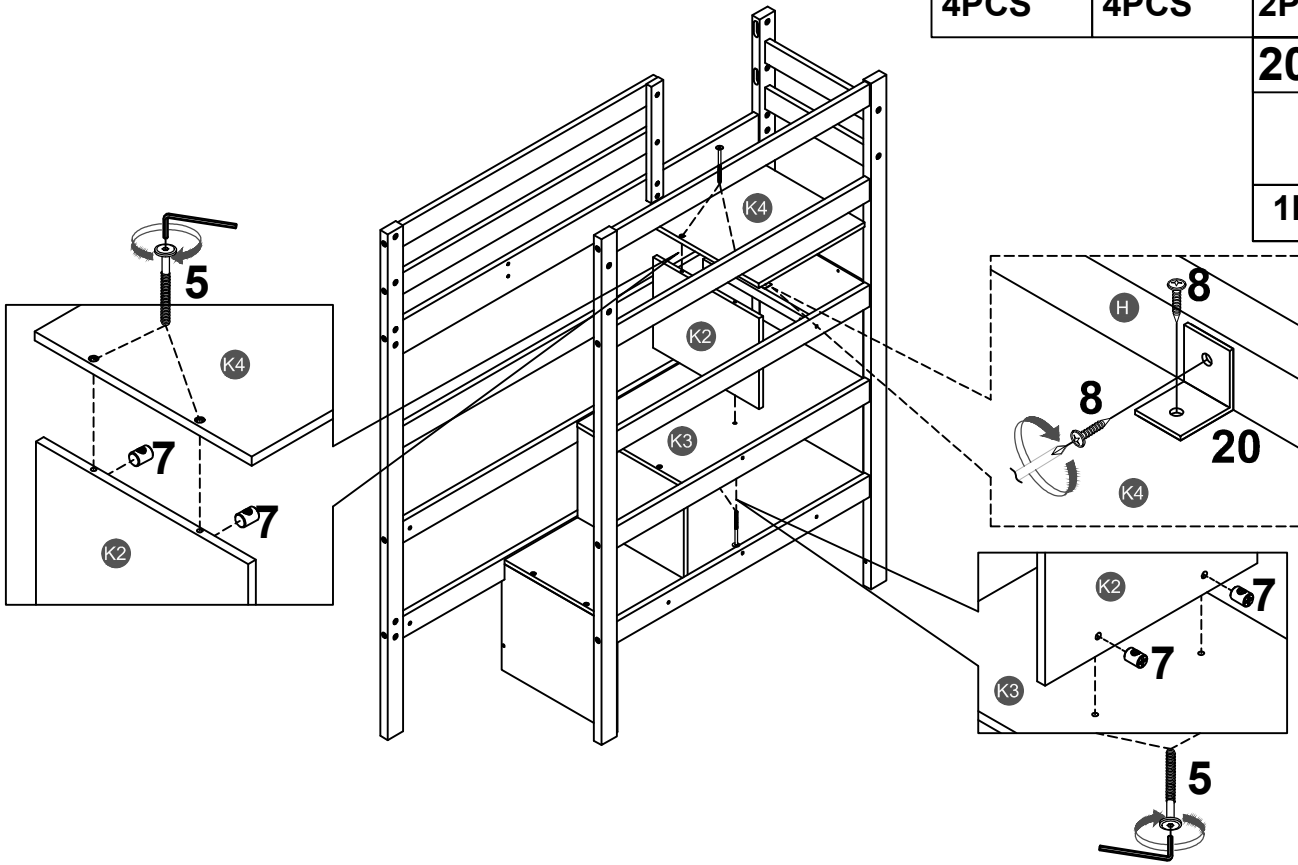
5		7	
6PCS		6PCS	



STEP 6:


Type 2

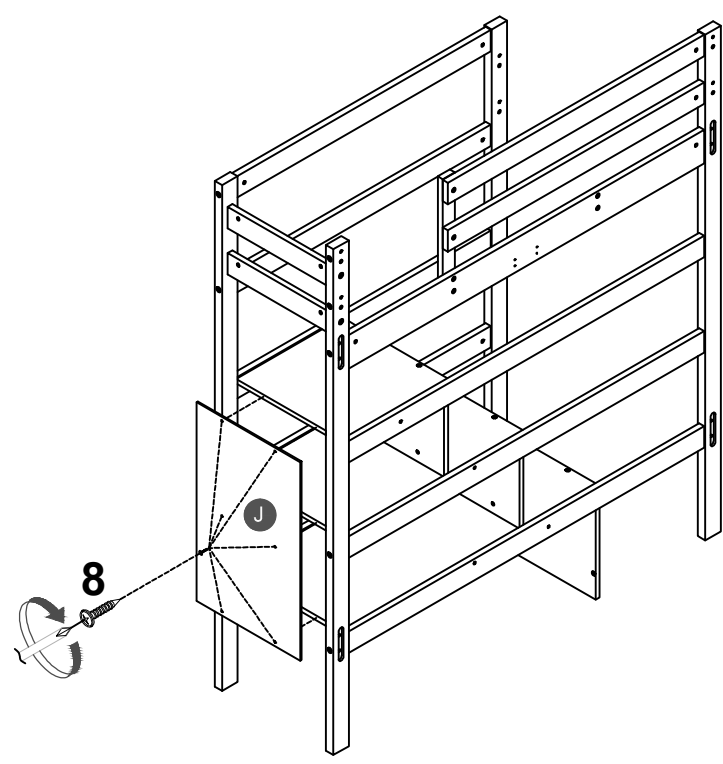
5 	7 	8 
4PCS	4PCS	2PCS
20 		
1PC		





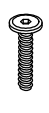

STEP 7:

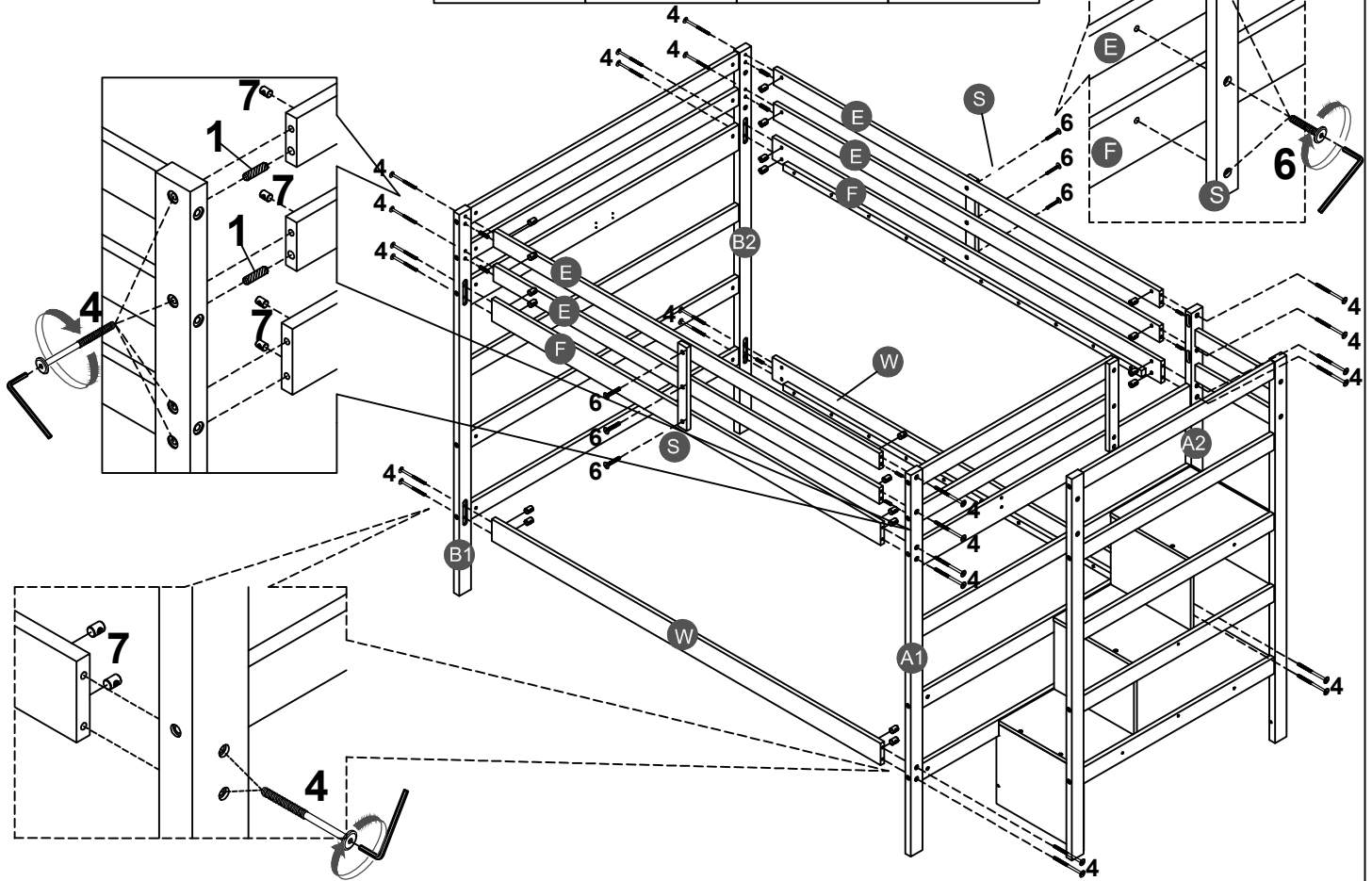
Type 2

8 
6PCS





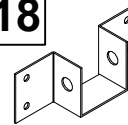
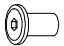
STEP 8: Type 2

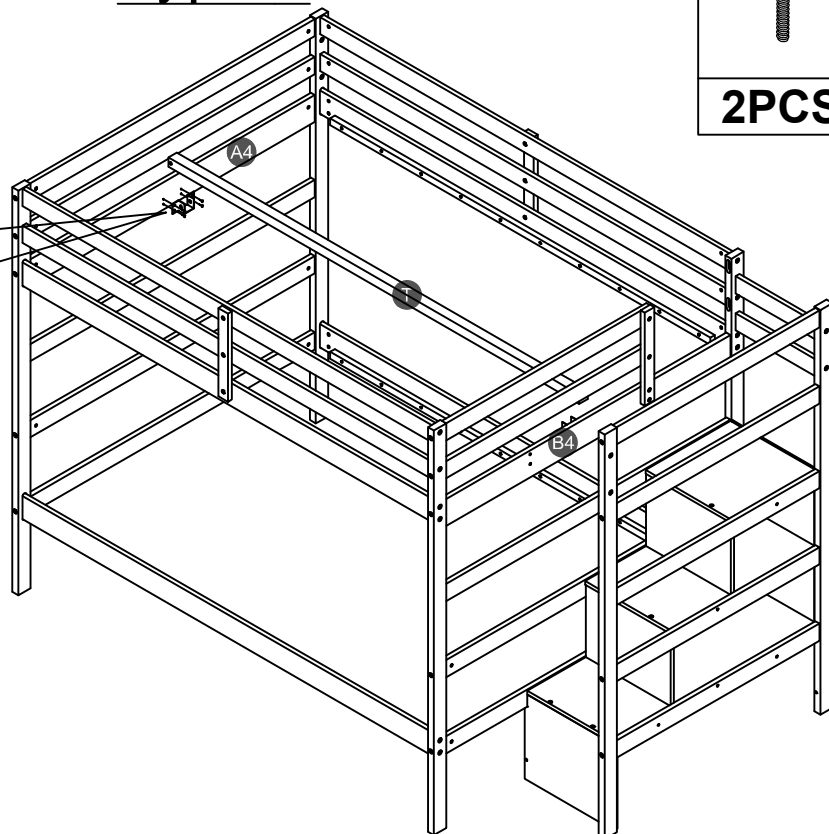
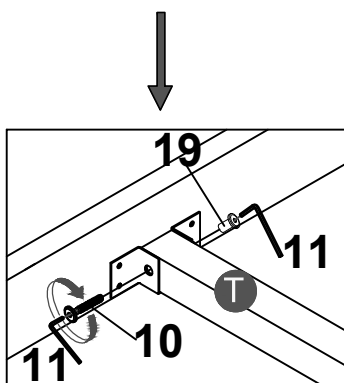
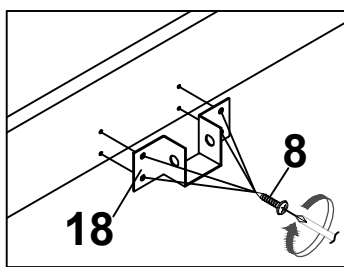
1 	4 	6 	7 
8PCS	24PCS	6PCS	24PCS



STEP 9:

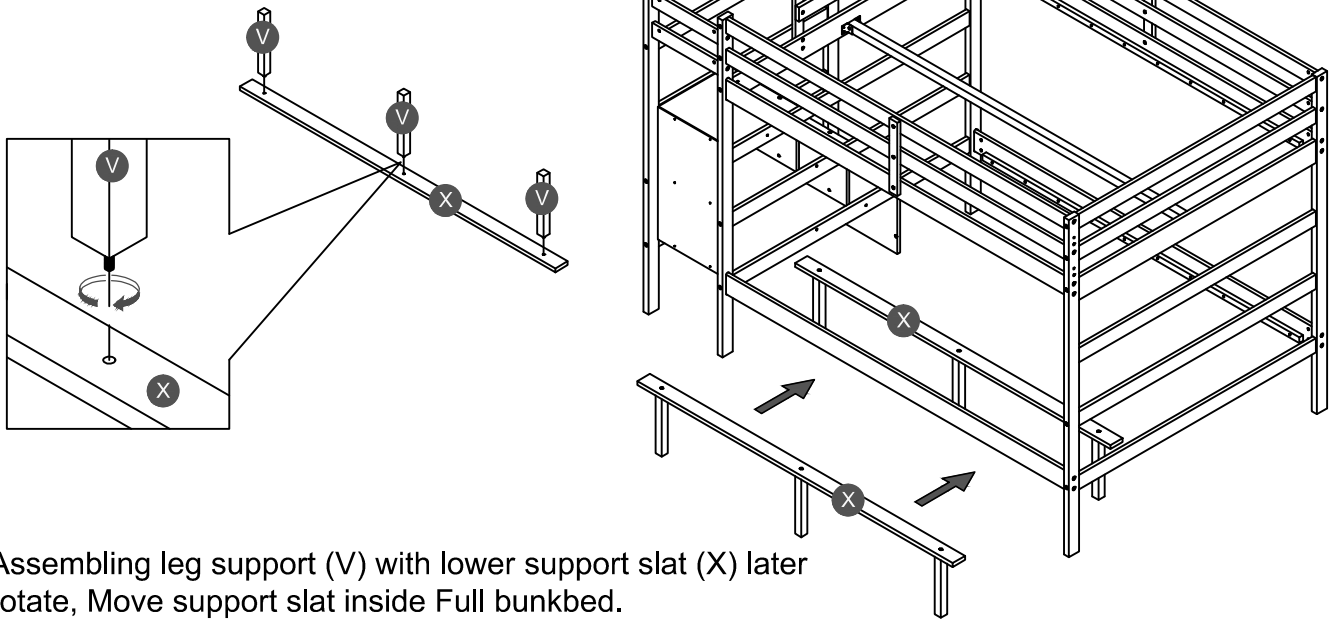
Type 2

10 	8 
2PCS	8PCS
18 	2PCS
19 	2PCS



STEP 10:

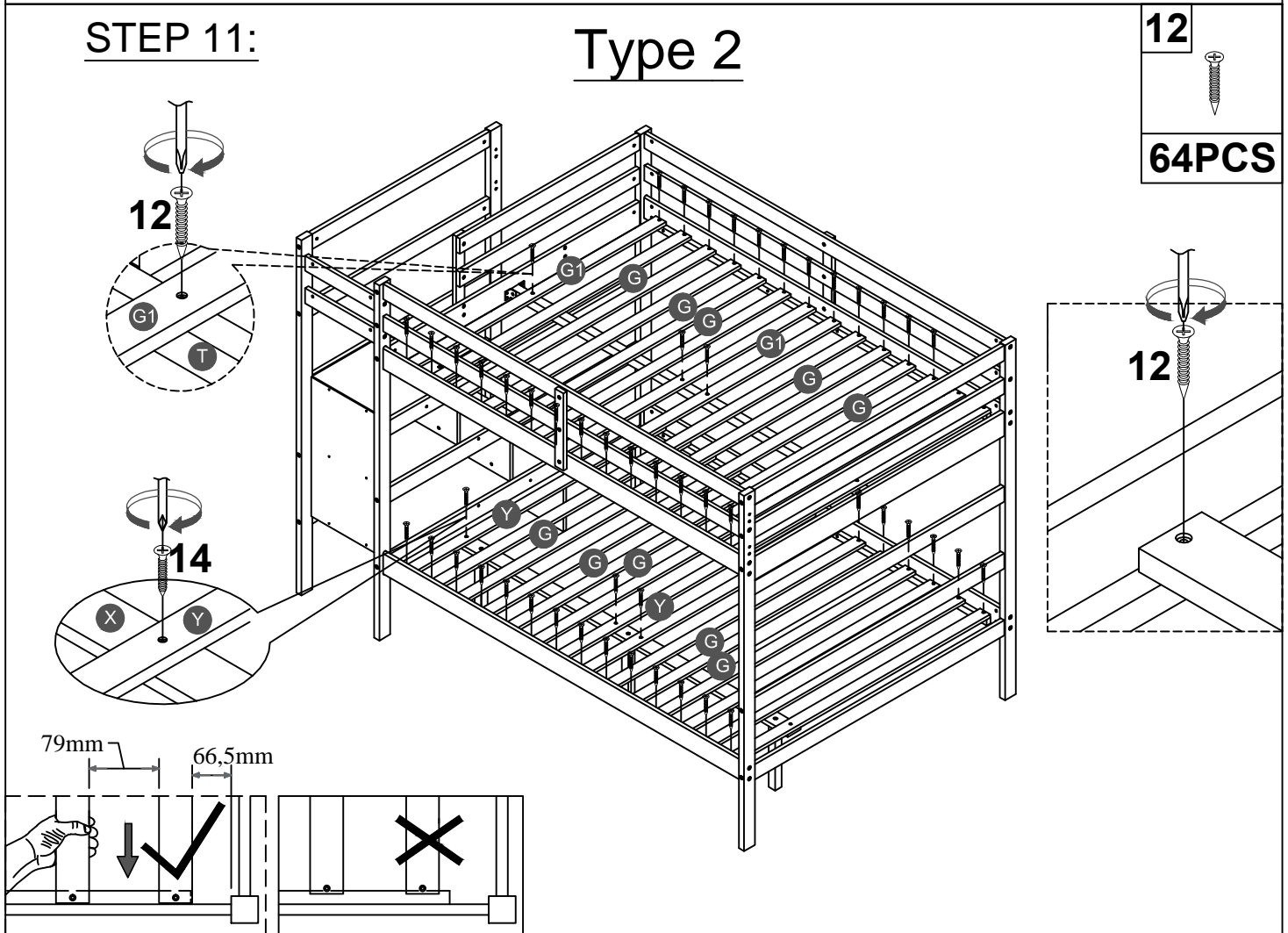
Type 2



Assembling leg support (V) with lower support slat (X) later rotate, Move support slat inside Full bunkbed.

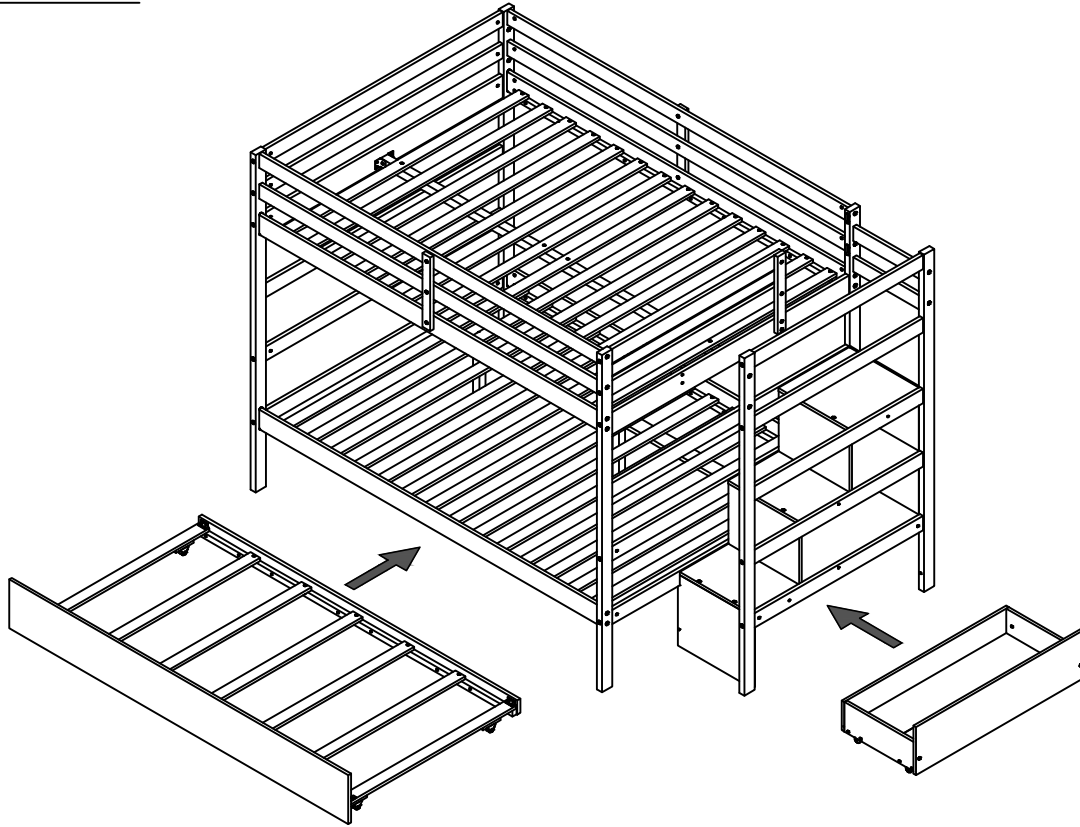
STEP 11:

Type 2



STEP 19:

Type 2



Push Trundle and Drawer under the bottom of Bunkbed.

