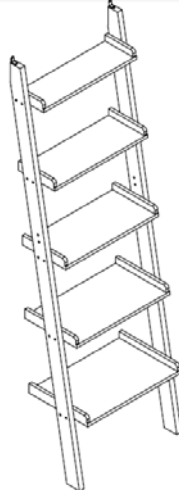


LADDER STYLE WALL RACK ASSEMBLY INSTRUCTIONS

Thank you for purchasing the Ladder Style Wall Rack.
Please read the instructions carefully to ensure safe operation of the product.



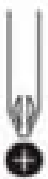
Size: 56x32.5x189CM
Colour: White

PLEASE READ this sheet prior to assembly to familiarise yourself with the various stages of construction.

Carefully open the pack supplied and check the contents against the parts and fittings check list. Do not destroy any of the packaging until you are certain that you have all the necessary parts for the assembly.

CAUTION: There are small components used in the construction of this unit. These loose items should be kept away from young children whilst assembling your unit to avoid the danger of choking hazards.

Tools Required



1 Hour
Set Up

LADDER STYLE WALL RACK ASSEMBLY INSTRUCTIONS

**IMPORTANT - READ CAREFULLY - RETAIN THESE INSTRUCTIONS
FOR FUTURE REFERENCE.**

INFORMATION

- This product is intended for a maximum weight of 20 kgs.Do not exceed this weight.
- Due to the size of this product we recommend that it is assembled in the room intended for use.
- When you are ready to start,make sure that you have the right tools,plenty of space and a clean,dry area for assembly.
- Check the pack and make sure you have all the parts listed.
- Ensure that this product is fully assembled as illustrated before use.
- Check all screws or bolts are tightened and inspect regularly.
- Dismantle for transportation.
- Only use recommended accessones.
- Assembly to be carried out by a competent adult only.
- During assembly children should be kept away from the product due to possible risk of injury.
- Tools are not included.

WARNINGS

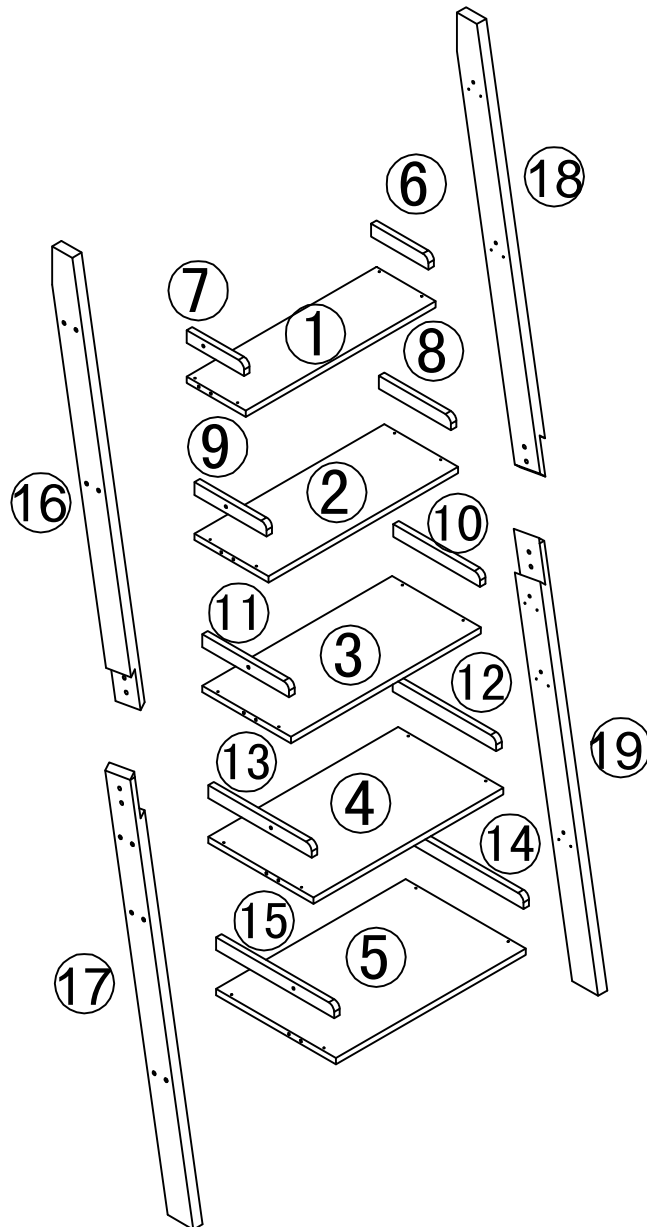
- This product should only be used on firm,level ground.
- Keep small parts out of reach of children.
- Make sure the legs remain in contact with the ground.
- Do not use power tools to construct this product
- Do not tighten screws until fully assembled.
- Do not over tighten screws or bolts.
- Do not use this product if parts are missing,damaged or worn.
- Do not sit or stand on the product.
- It is essential that this unit is fixed to a wall with the fixings provided.
- Wall fixings are included. If in doubt how to fit the fixings, please consult a qualified tradesperson. Warning: Always ensure the area to be drilled is free from hidden electrical wires, water and gas pipes.

CARE INFORMATION

- Never use scourers,abrasives or chemical cleaners.
- To clean wipe with a sponge and warm soapy water.Do not use solvent based cleaners or detergents as they can bleach or damage the product.

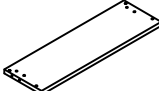

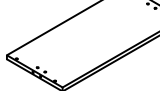




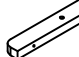

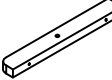
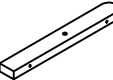
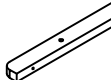
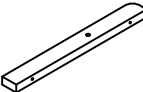
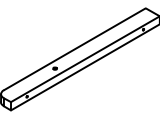
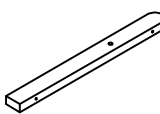
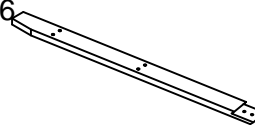
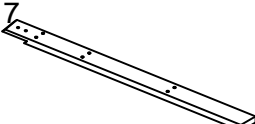
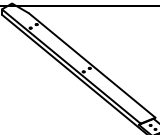
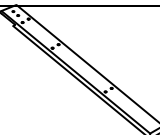
LADDER STYLE WALL RACK ASSEMBLY INSTRUCTIONS

Please check the pack contents before assembling the product. If any components are missing, please contact your retailer. The fittings pack contains small items that should be kept away from small children.



LADDER STYLE WALL RACK ASSEMBLY INSTRUCTIONS

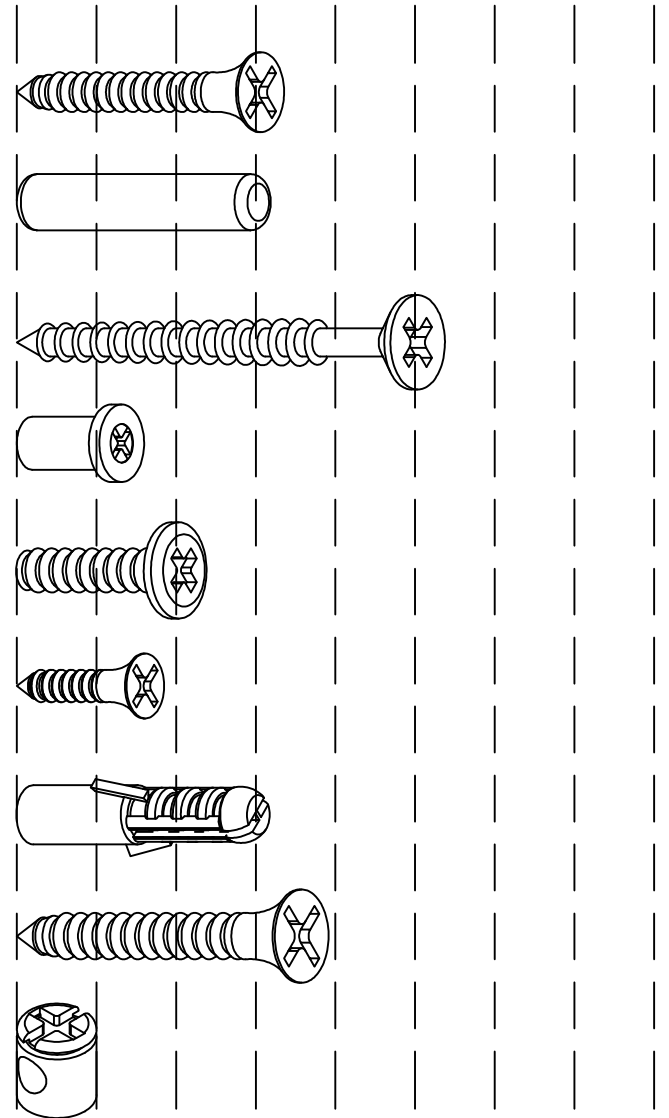
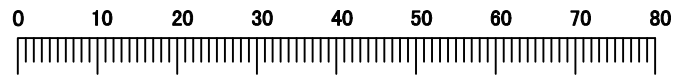
Parts

1 	2 	3 	4 
SHELF 1 PC	SHELF 1 PC	SHELF 1 PC	SHELF 1 PC
5 	6 	7 	8 
SHELF 1 PC	SIDE RAIL 1 PC	SIDE RAIL 1 PC	SIDE RAIL 1 PC
9 	10 	11 	12 
SIDE RAIL 1 PC	SIDE RAIL 1 PC	SIDE RAIL 1 PC	SIDE RAIL 1 PC
13 	14 	15 	16 
SIDE RAIL 1 PC	SIDE RAIL 1 PC	SIDE RAIL 1 PC	SIDE BOARD 1 PC
17 	18 	19 	
SIDE BOARD 1 PC	SIDE BOARD 1 PC	SIDE BOARD 1 PC	

LADDER STYLE WALL RACK ASSEMBLY INSTRUCTIONS

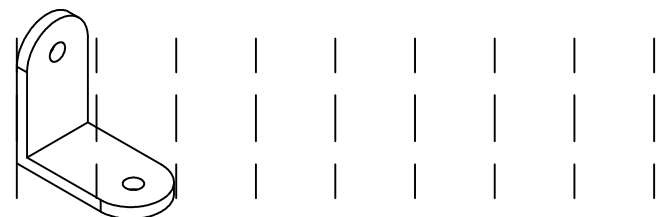
Fixings (to scale)

Ref	Dimensions	Qty
A	Screw-M4x30	20
B	Dowel-M6x30	10
C	Screw-M5x50	20
D	Screw nut-M8x12	4
E	Screw-M6x20	4
G	Screw-M3x16	2
H	Setscrew	2
I	Screw-M4x35	2
J	Barrel nut- Φ 10x10	20



Fixings (not to scale)

F	Wallfixings	2
---	-------------	---

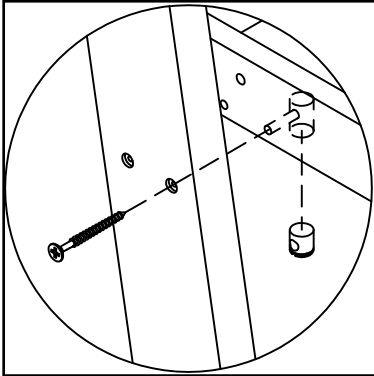


CAUTION: There are many small components used in the construction of this product. Please keep these components away from young children whilst assembling this product.

If you keep the fittings in a bowl during assembly you will be less likely to lose them!

LADDER STYLE WALL RACK ASSEMBLY INSTRUCTIONS

Hints & Tips

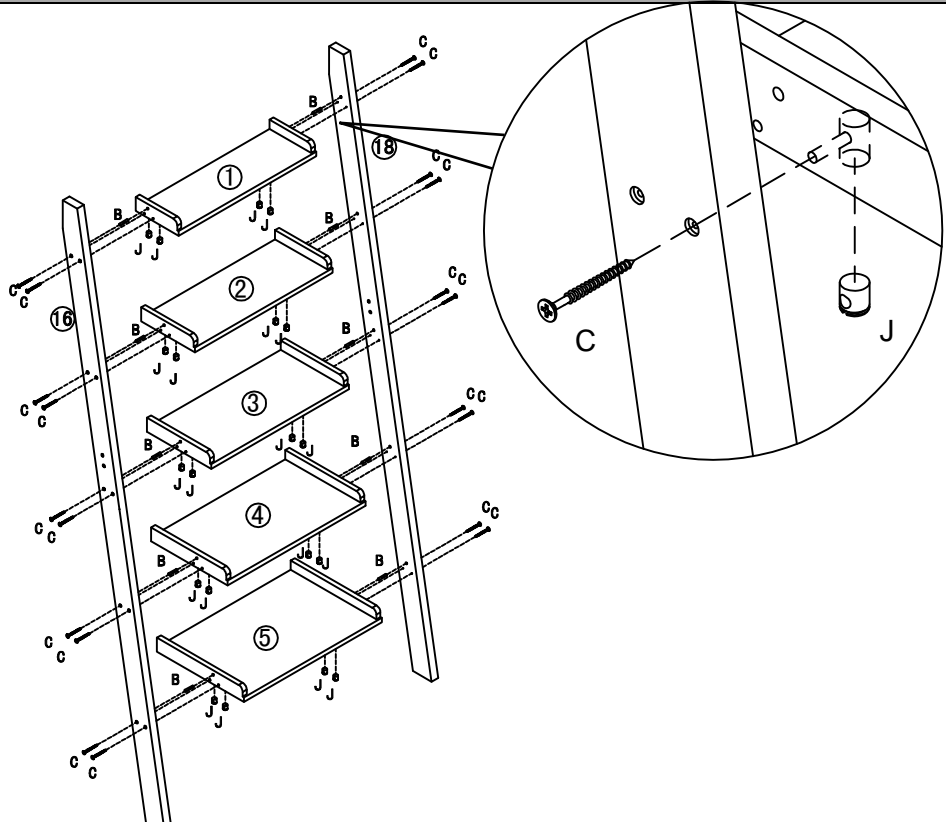


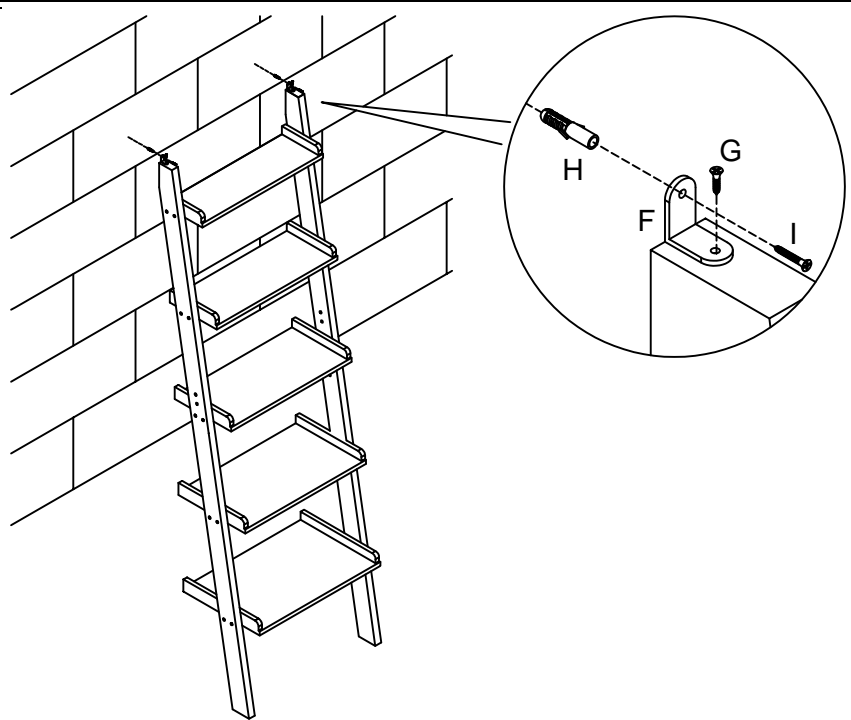
The barrel nut must be in line with the bolt. After insertion the bolt will thread through the nut to secure.

STEP 1	PARTS REQUIRED
	1.SHELF X1 2.SHELF X1 3.SHELF X1 4.SHELF X1 5.SHELF X1 6.SIDE RAIL X1 7.SIDE RAIL X1 8.SIDE RAIL X1 9.SIDE RAIL X1 10.SIDE RAIL X1 11.SIDE RAIL X1 12.SIDE RAIL X1 13.SIDE RAIL X1 14.SIDE RAIL X1 15.SIDE RAIL X1 A. SCREW X20

STEP 2	PARTS REQUIRED
	16.SIDE BOARD X1 17.SIDE BOARD X1 18.SIDE BOARD X1 19.SIDE BOARD X1 D. SCREW NUT X4 E. SCREW X4

LADDER STYLE WALL RACK ASSEMBLY INSTRUCTIONS

STEP 3	PARTS REQUIRED
	<p>B. DOWEL X10 C. SCREW X20 J. CAM LOCK X20</p>

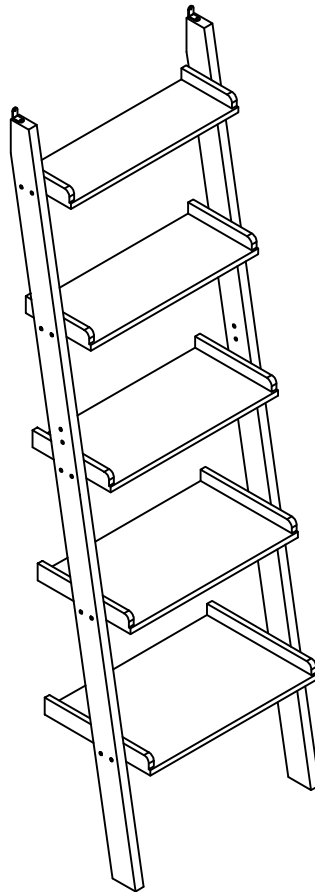
STEP 4	PARTS REQUIRED
	<p>F.WALL FIXINGS X2 G.SCREW X2 H.SETSCREW X2 I.SCREW X2</p>

LADDER STYLE WALL RACK ASSEMBLY INSTRUCTIONS

Complete Assembly

Your LADDER STYLE WALL RACK is now completely assembled.

Periodically check to ensure that the components are in their proper position, free from damage. Also, make sure the connectors are tight and secure.



Keep instructions for future reference

