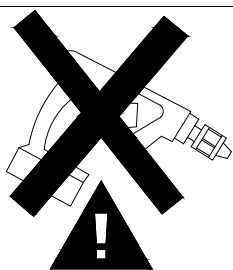
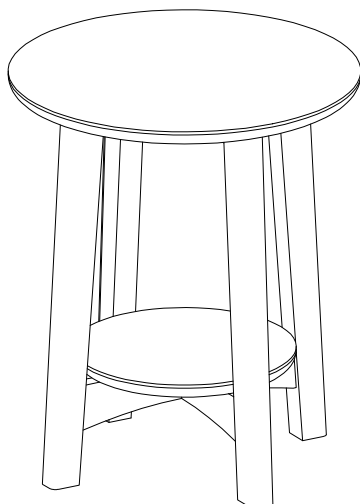
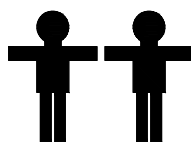


ASSEMBLY INSTRUCTION

END TABLE

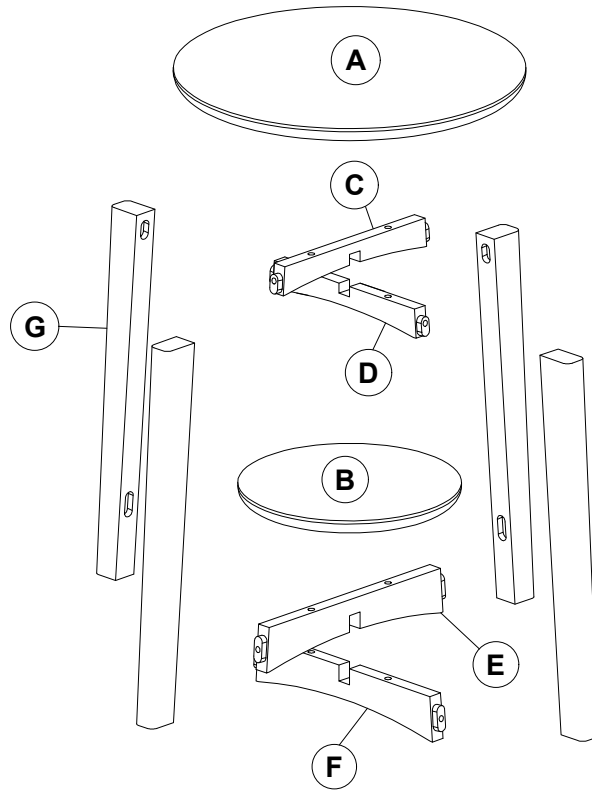


. Use of power tool to assemble this product will invalidate any claim and damage this product making it unsafe !!!
. Please assemble on a clean soft surface to avoid damage.

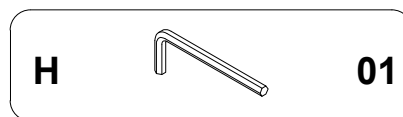
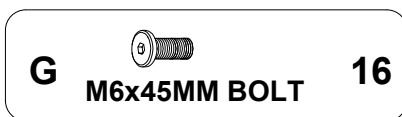


30 minutes

End Table



Identifying the hardware-Identify the hardware using the illustrations below



Step 01

G

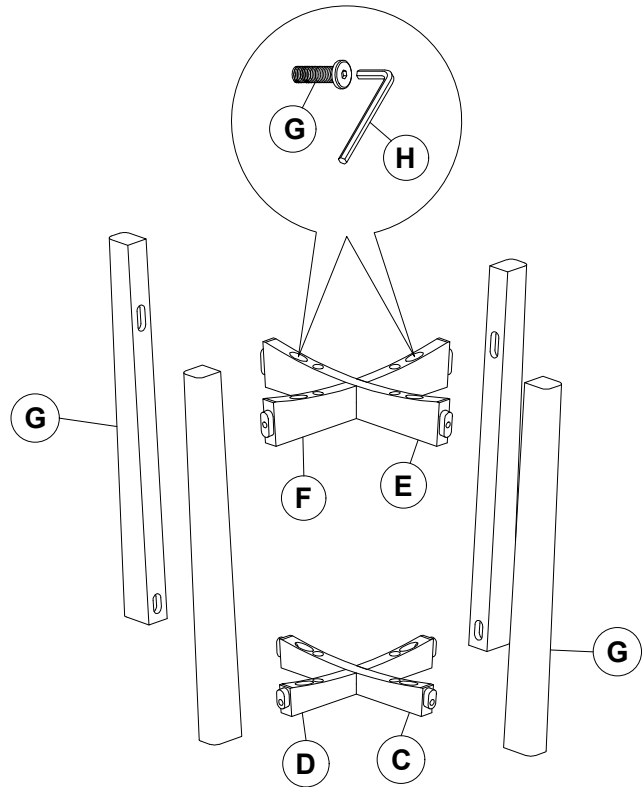
 M6x45MM BOLT

8

H



01



Step 02

G

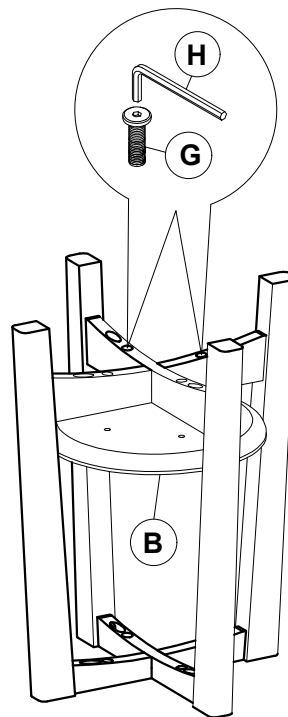
 M6x45MM BOLT

04

H



01



Step 03

G



M6x45MM BOLT

4

H



01

