

# Assembly Instruction

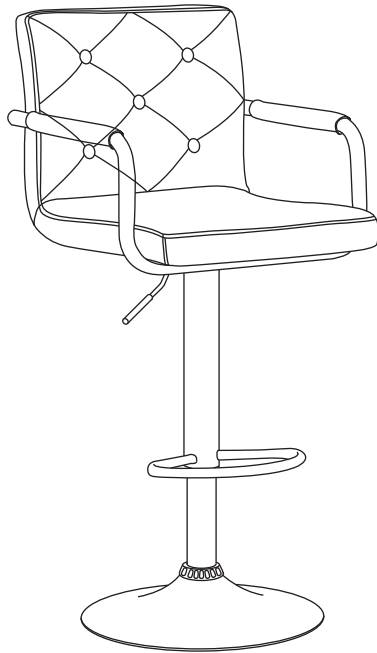
## Tips!

Check all the components & screws before assembly. **Do not install in case part is missing, contact us to get.** Send email with your question to [support@vecelo.com](mailto:support@vecelo.com). We will resend within 24 hours.

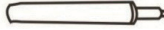



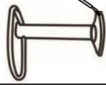





Customer Service

Email: [support@vecelo.com](mailto:support@vecelo.com)

Website: [www.vecelo.com](http://www.vecelo.com)



## Components

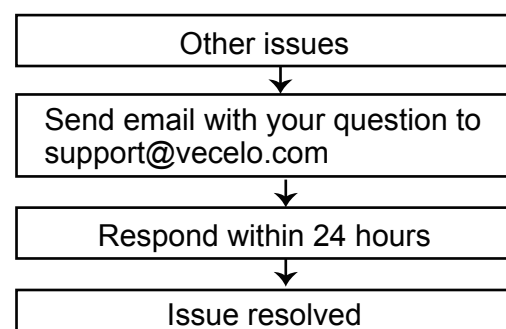
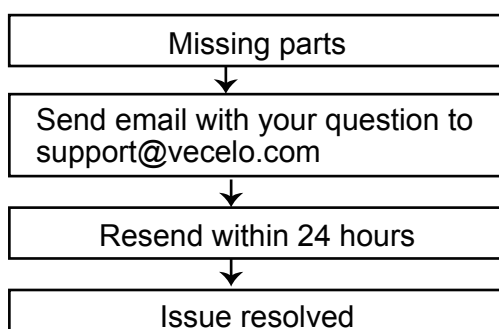
A		Hydraulic bar	1
B		Base	1
C		Seat	1
D		Decoration ring	1
E		Footrest	1
F1		Screws	4
F2		Screws	4
G		Armrest Frame	1
H		Armrest Cover	2
I		Allen key	1

## Return Policy

We believe you will absolutely love your new item. But if for some reason you want to return, please contact us directly before you decide to return your product. Our customer service organization can answer most concerns and assist you with any questions you may have about your new item, please email us first at: [support@vecelo.com](mailto:support@vecelo.com).

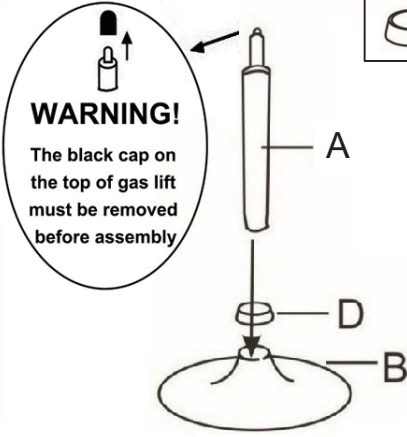
The item must be returned within 30 days of delivery for a full refund. The item must be returned in good condition, in original box, with all original proof of purchase, parts and accessories.

Trouble shooting:



We control manufacturing and distribution ourselves, ensure the quality.

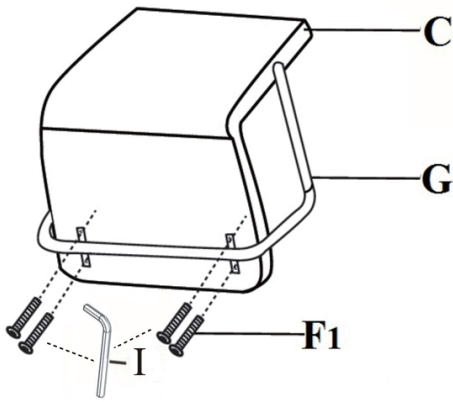
1



Dx1

1.Remove the cap on hydraulic bar(A); Find base (B); Install decoration ring (D) and hydraulic bar(A) on base(B).

2

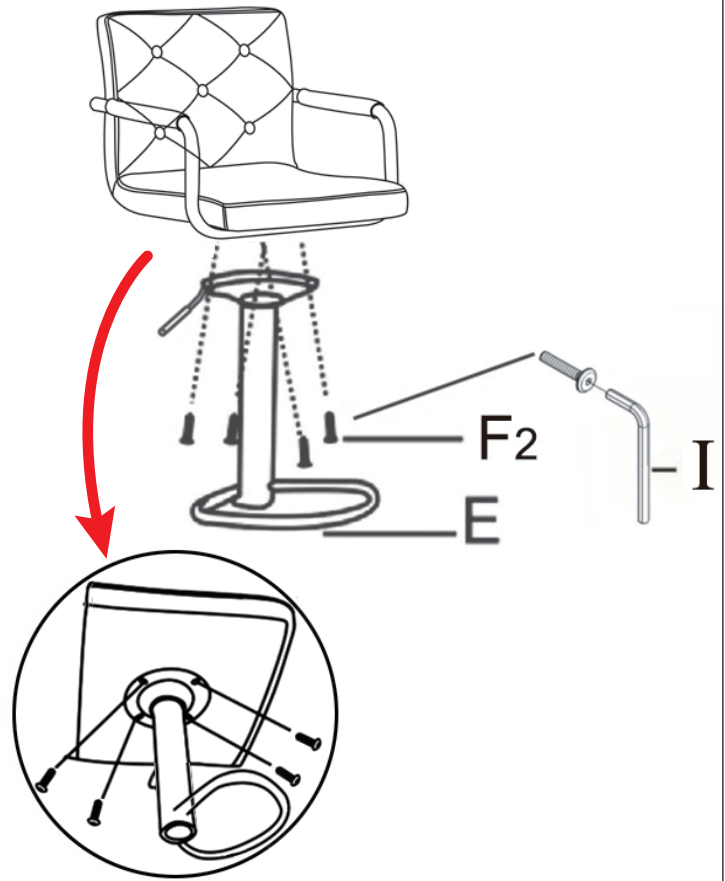


F1x4

2.Install armrest(G) to seat(C);fix them with screws(F1)

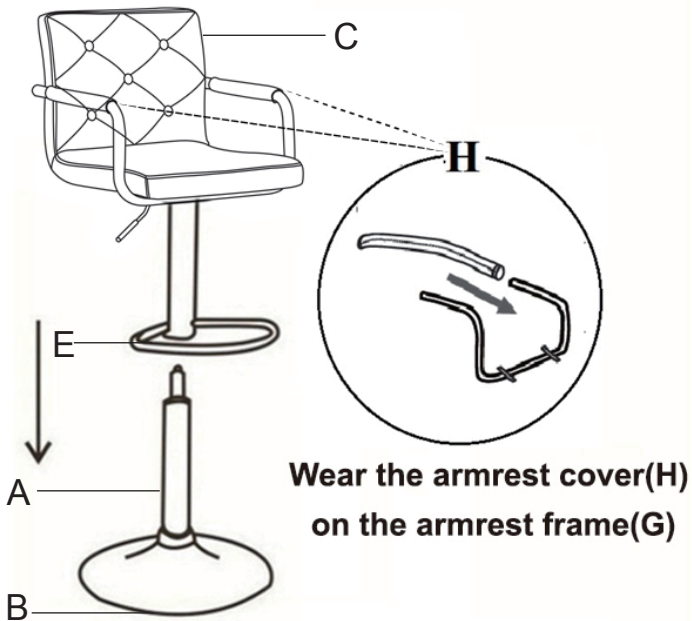
3

F2x4



3.Find seat(C); Install footrest(E) under seat(C); Fix it with screws(F2)

4



3.Install seat(C) and footrest(E) on hydraulic bar(A) which is already fixed on the base(B).

5

