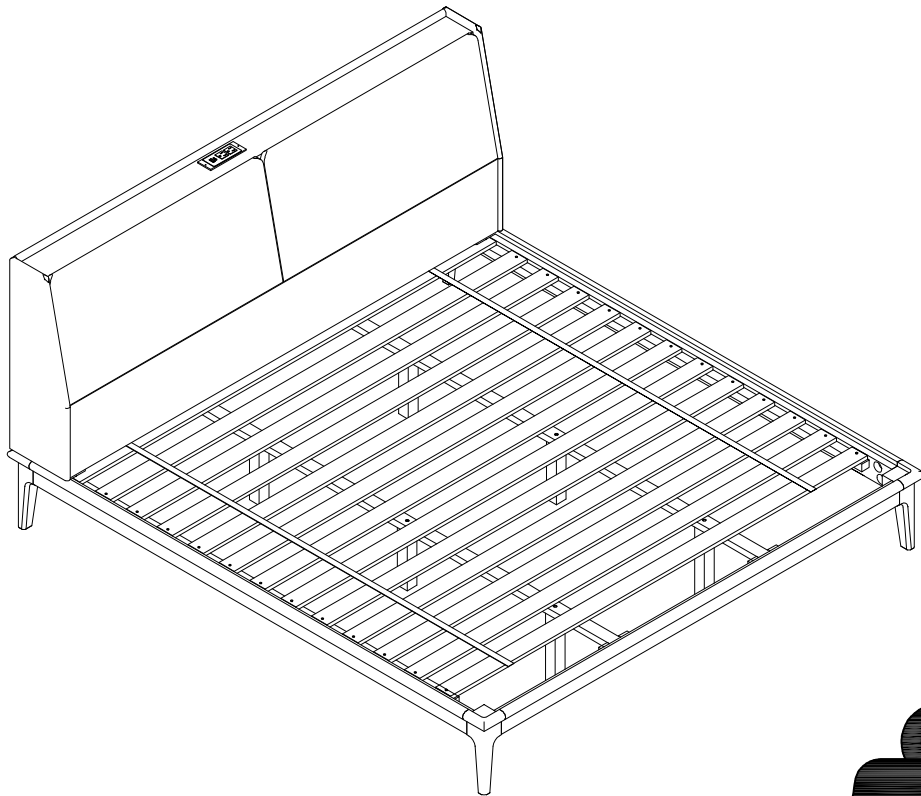


HULALA

HOME



Per Seat Weight Limitation

900 LBS

ITEM NO. BDJE1026-KB

Thank You For Choosing Our Furniture

▀ If you have any questions or concerns,
don't hesitate to reach out to us. ▴

Call us: +1(833)324-2464
Email: hello@hulalahome.com

NOTE:






This brochure contains
IMPORTANT safety info.
Please read and keep it
for future reference.

MAINTAINANCE AND WARNINGS



Before You Start

Please follow the steps below:

-  Check the packaging for any damage, deformation, or water stains. If there is significant damage, please contact us promptly.
-  Open the packaging and confirm that the panels, hardware, screws, etc are complete.
-  Please read the installation instructions carefully to understand the installation steps and precautions to ensure proper installation.
-  Clean the installation area in advance and ensure the ground is level and there is enough space to avoid damaging the furniture or making installation difficult.
-  Lay a protective mat on the ground to prevent scratching the floor during installation.

After-Sales Service

- If you encounter any issues or need technical support during use, please contact our after-sales team. We offer long-term maintenance and warranty services.



Precautions

- ⚠ This product for indoor use only. Do not expose it to outdoor elements or high-humidity environments.
- ⚠ Keep the product away from high heat or open flames to prevent fire hazards.
- ⚠ Do not allow children to climb on the product to prevent personal injury caused by tipping



Safety Warnings

- ⚠ If you notice any loose or damaged parts, stop using the product immediately and contact customer service.
- ⚠ Do not attempt to disassemble or replace any components yourself, as this may affect the stability and safety of the product.

Daily Maintenance

- Regularly clean the surface of the sofa with a soft cloth to prevent dust accumulation.

Do not use cleaning agents containing acids, alkalis, or corrosive substances,

- as they may damage the surface. It is recommended to use neutral cleaning agents or specialized furniture cleaners

Avoid exposing furniture to humid environments for extended periods to prevent swelling or deformation of the boards. Use a dehumidifier or desiccant during humid weather.

- Avoid direct contact of furniture with water. If water is accidentally spilled, wipe it dry immediately.

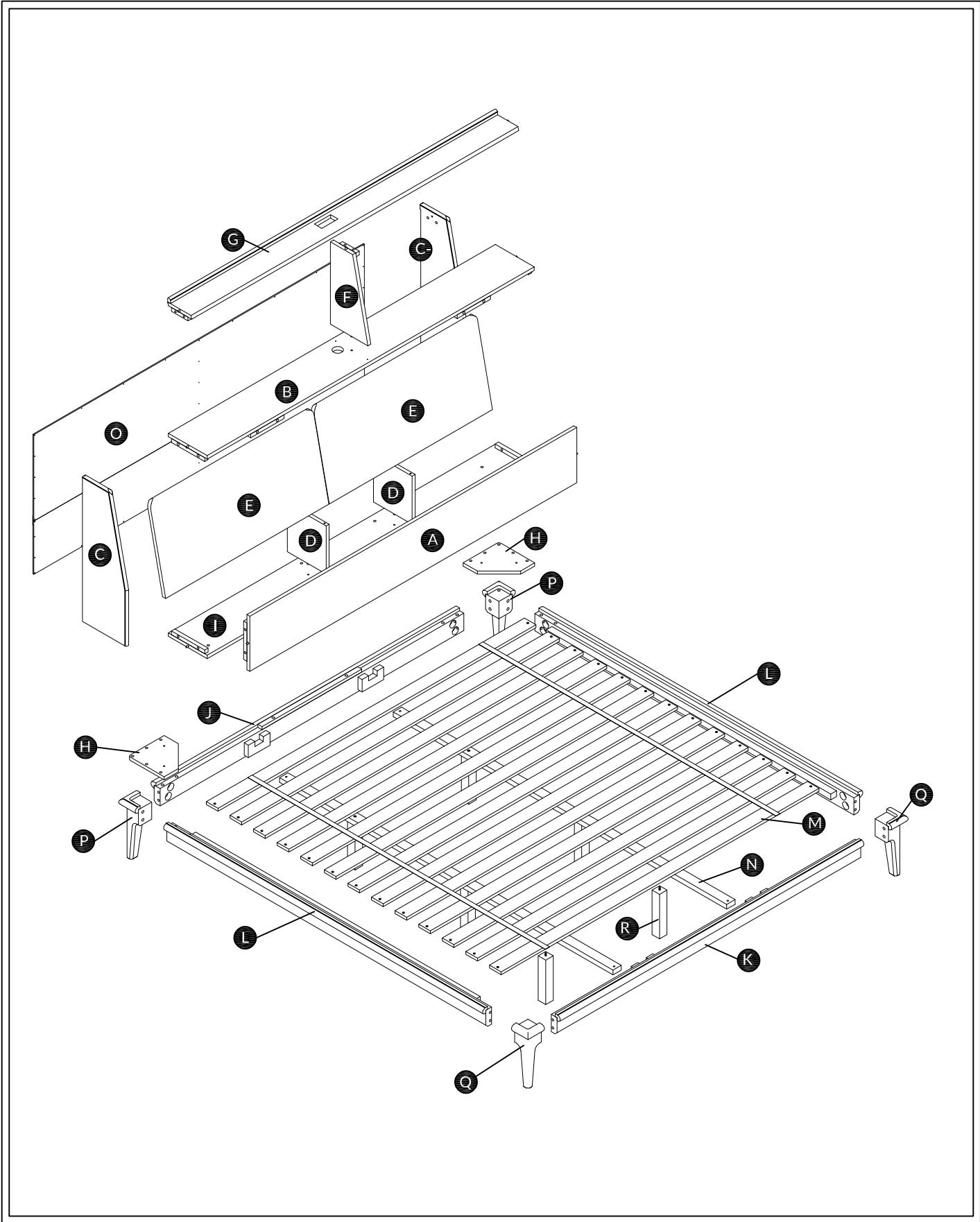
- Avoid placing excessively heavy objects on the furniture: ensure the weight is within a reasonable load-bearing range.

Avoid using sharp or rough items on the furniture surface to prevent scratches, Handle items gently when moving them

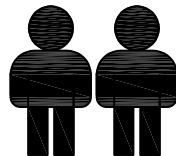
-

-

Explosive view

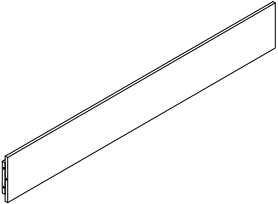
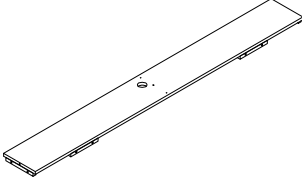
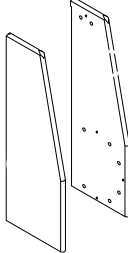
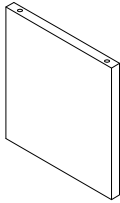
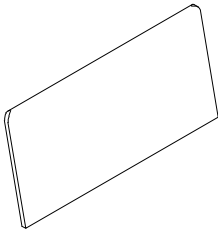
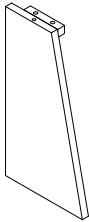
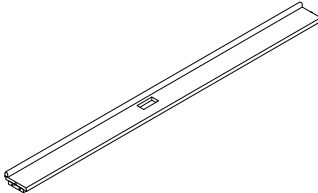
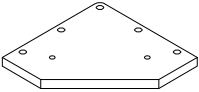


Installation:
60minutes.

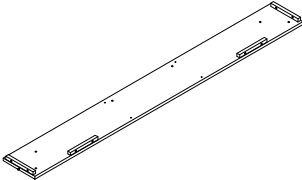
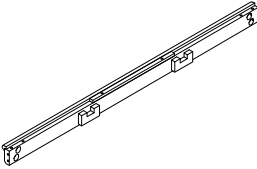
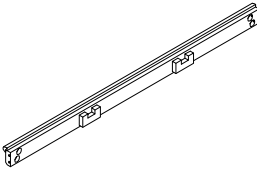
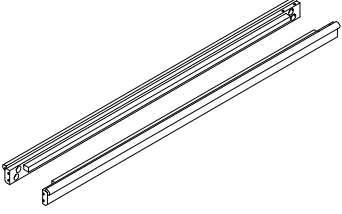
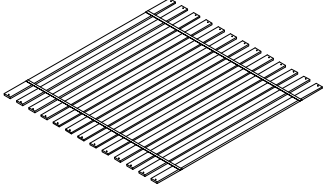
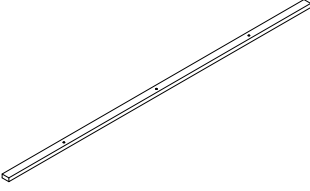
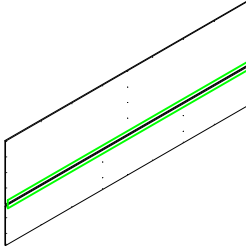
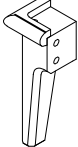
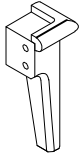
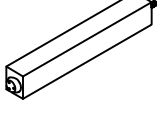


Two Person


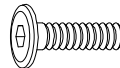


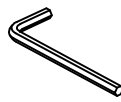



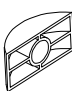
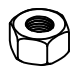
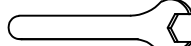
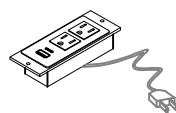
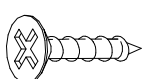

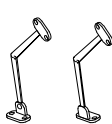
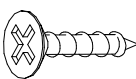
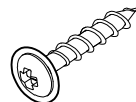
Parts list BDJE

A	x1	B	x1	C	x1	D	x2
							
E	x2	F	x1	G	x1	H	x2
							

Parts list BDJE

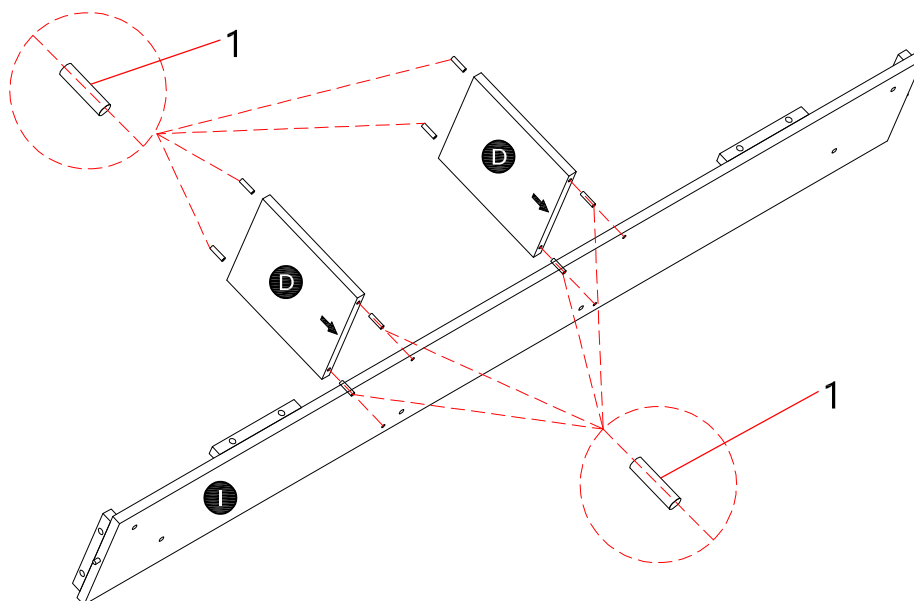
I	x1	J	x1	K	x1	L	x1
							
M	x1	N	x2	O	x1	P	x2
							
Q	x2	R	x6				
							


Hardware list B DJE

#1	x18+1	#2	x42+4	#3	x42+4	#4	x42+4	#5	x1	#6	x30+3
											
φ8x30mm		φ1/4x30mm		φ1/4		φ1/4		M4		φ8-25mm	
#7	x8+1	#8	x8+1	#9	x16+1	#10	x16+1	#11	x1	#12	x1
											
φ5/16x70mm		φ5/16x80mm		φ5/16"		φ5/16"		12		USB	
#13	x2	#14	x4	#15	x2SET	#16	x40+4	#17	x42+3		
											
φ3.5*15mm		φ35				φ3.5*15mm		φ4*15mm			

Step 1

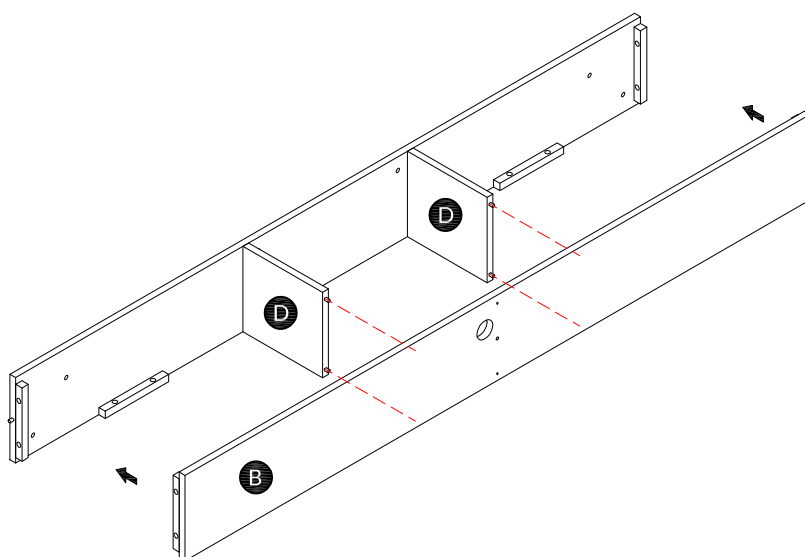
Insert wooden plugs (#1) into the lower middle panel (D). Align the bottom panel (I) with the wooden plugs. Ensure all holes are aligned, then secure as shown the picture.



#1	x8
	
ø8-30mm	

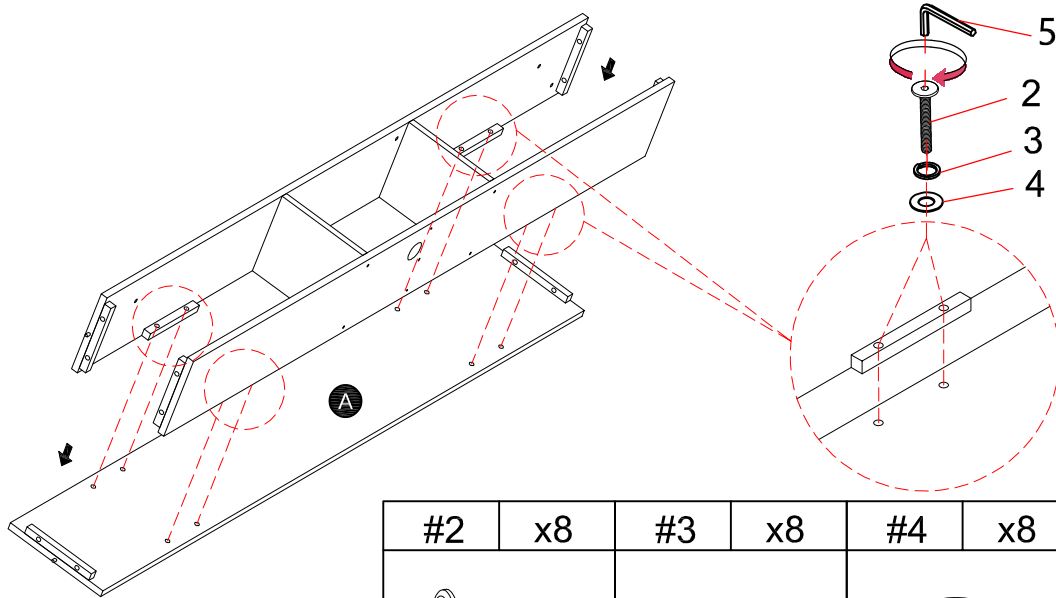
Step 2

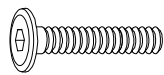


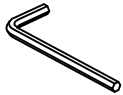
Attach the middle panel (B) to wooden plugs (#1) on the lower middle panel (D) from Step 1. Align holes, secure as shown the picture.



Step 3

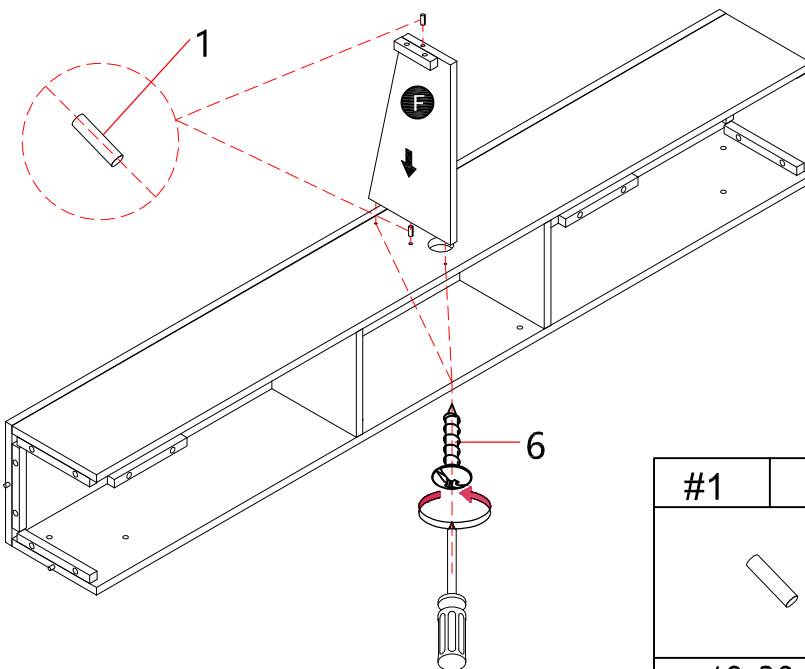
Attach front panel (A) to the holes from Step 2. Align all holes, secure with Bolt (#2), Spring Washer (#3), and Flat Washer (#4). Tighten with Allen key (#5) as shown the picture.


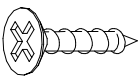
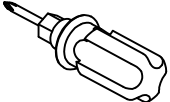


#2	x8	#3	x8	#4	x8	#5	x1
							
ø1/4x30mm		ø1/4"		ø1/4"		M4	

Step 4

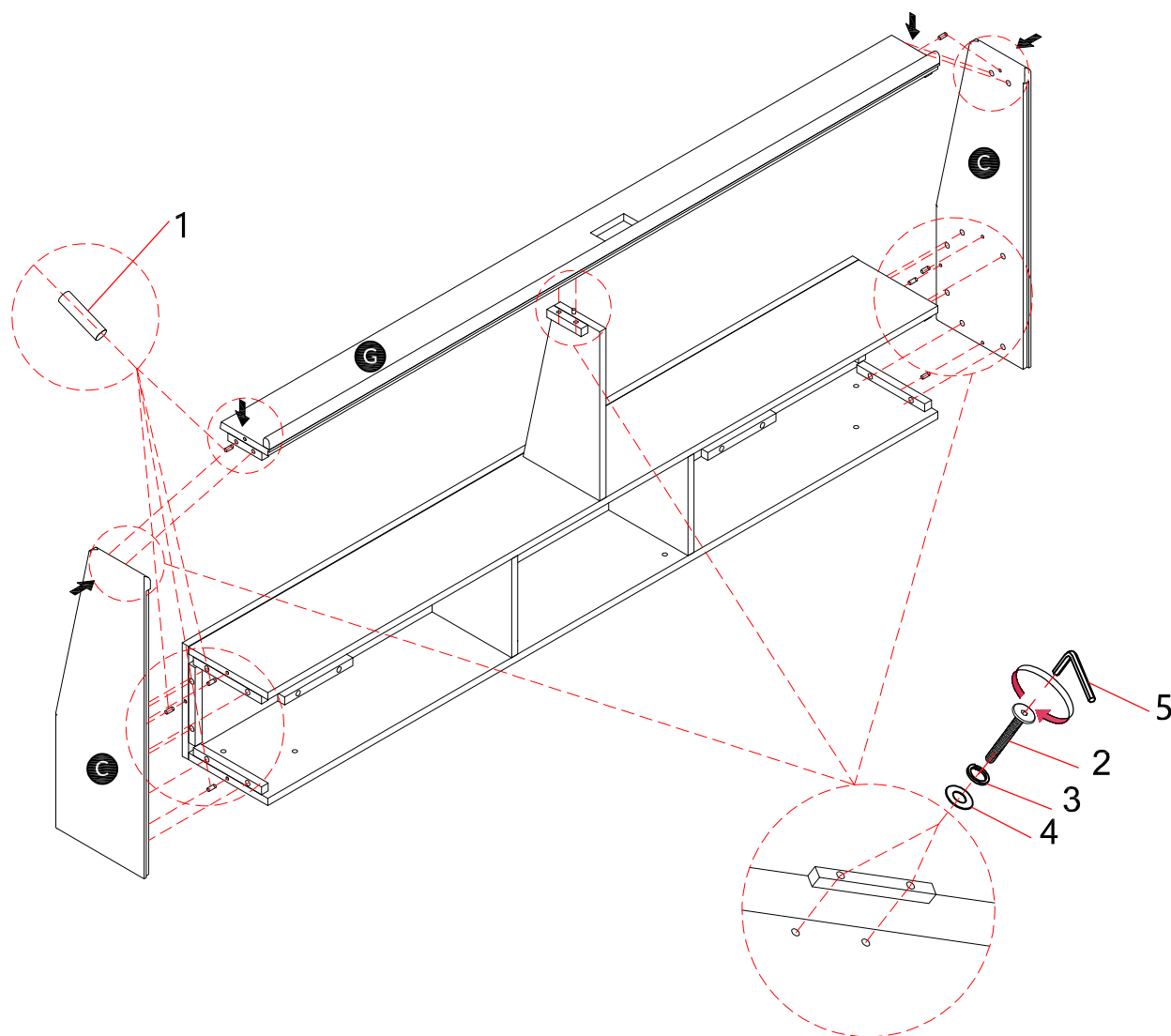
Insert wooden plugs (#1) into upper middle panel (F). Attach panel (F) to the assembly from Step 3. Align all holes, secure with screws (#6), and tighten with screwdriver (not included).


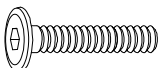


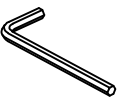


#1	x2	#6	x2	
				
ø8-30mm		ø8-25mm		not include

Step 5

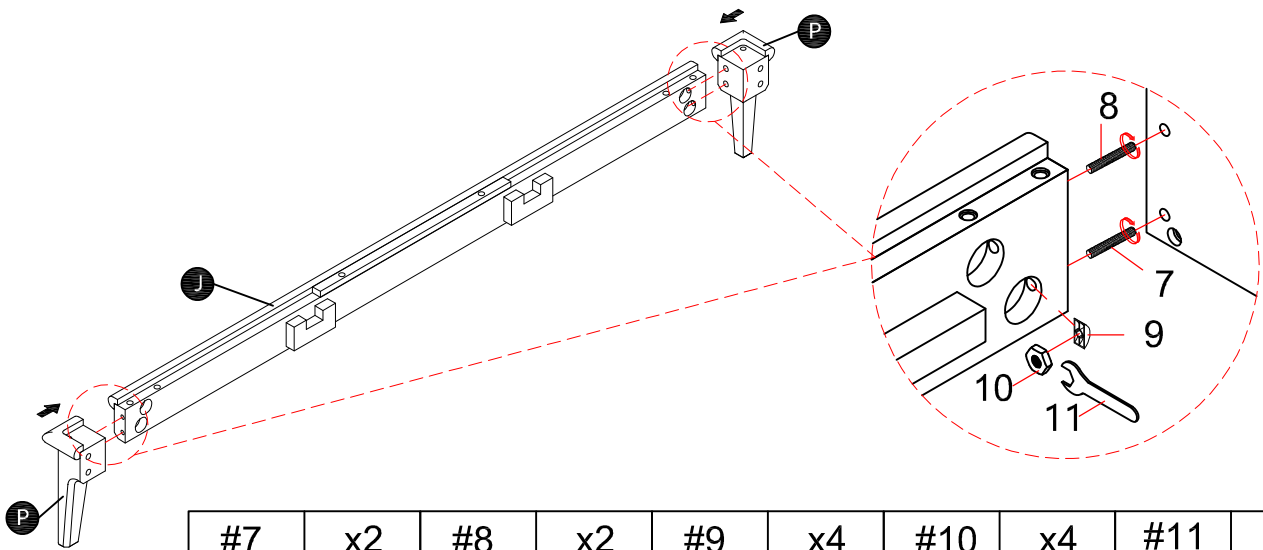
Attach top panel (G) to wooden plugs (#1) on panel (F) from Step 4. Insert additional wooden plugs (#1) as shown. Attach side panel (C), align all holes, secure with Bolt (#2), Spring Washer (#3), and Flat Washer (#4). Tighten with Allen key (#5) as shown the picture.



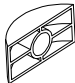

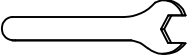


#1	x8	#2	x18	#3	x18	#4	x18	#5	x1
									
φ8-30mm		φ1/4x30mm		φ1/4"		φ1/4"		M4	

Step 6

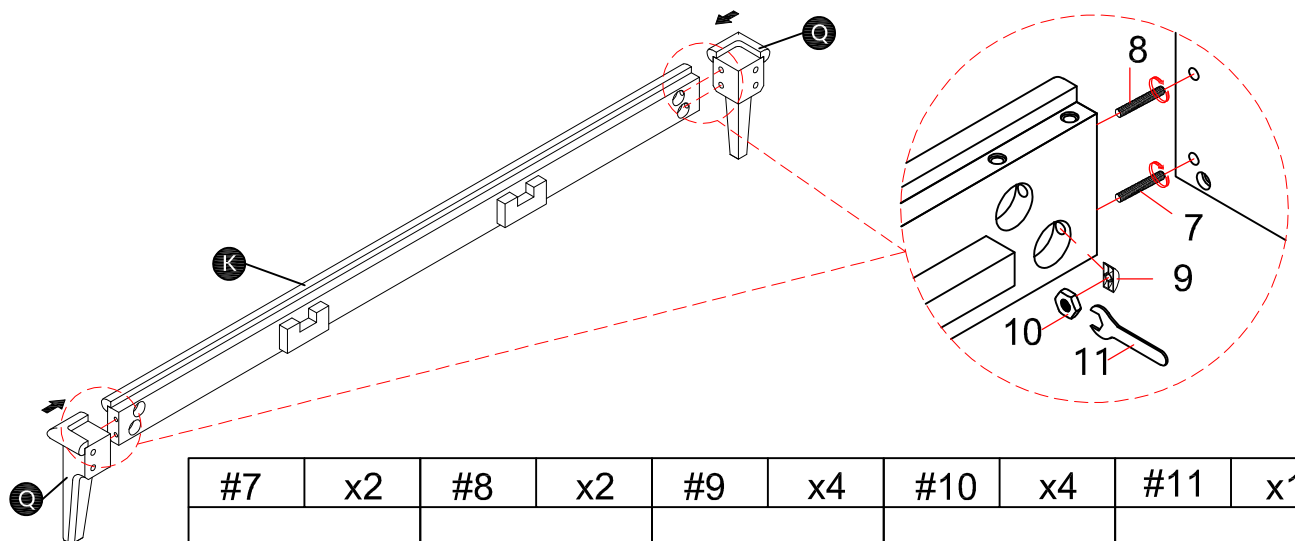
Attach bolt (#7, #8) to the leg (P). Align the headboard panel (J) onto bolt (#7, #8) then secure with lock washer (#9), and Nut (#10). Tighten with Allen Wrench (#11) as shown in the picture.



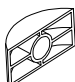

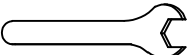


#7	x2	#8	x2	#9	x4	#10	x4	#11	x1
									
φ5/16x70mm		φ5/16x80mm		φ5/16"		φ5/16"		12	

Step 7

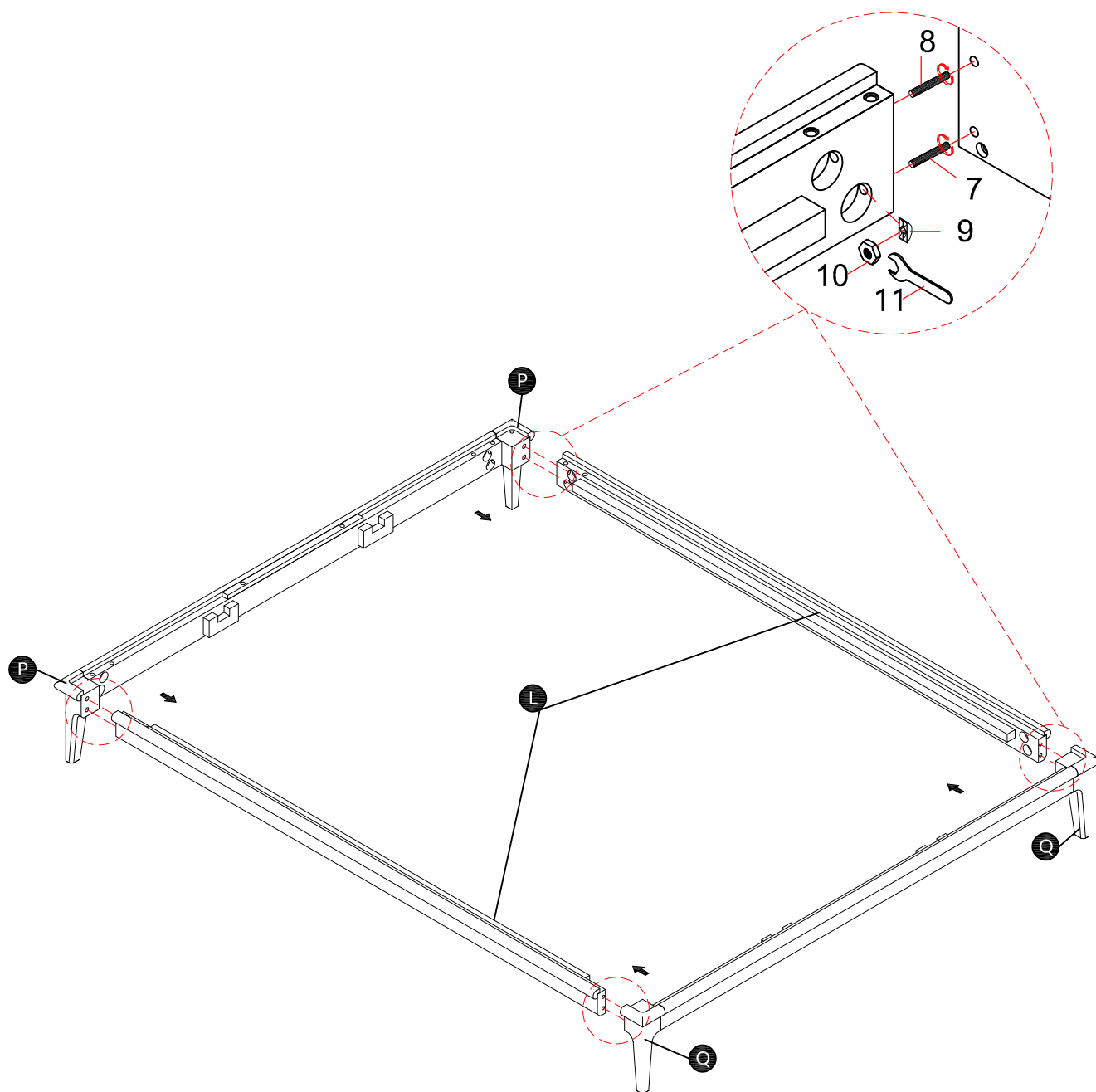
Attach bolt (#7, #8) to the leg (Q). Align the footboard panel (K) onto bolt (#7, #8) then secure with lock washer (#9), and Nut (#10). Tighten with Allen Wrench (#11) as shown in the picture.



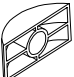

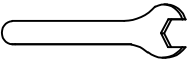


#7	x2	#8	x2	#9	x4	#10	x4	#11	x1
									
φ5/16x70mm		φ5/16x80mm		φ5/16"		φ5/16"		12	

Step 8

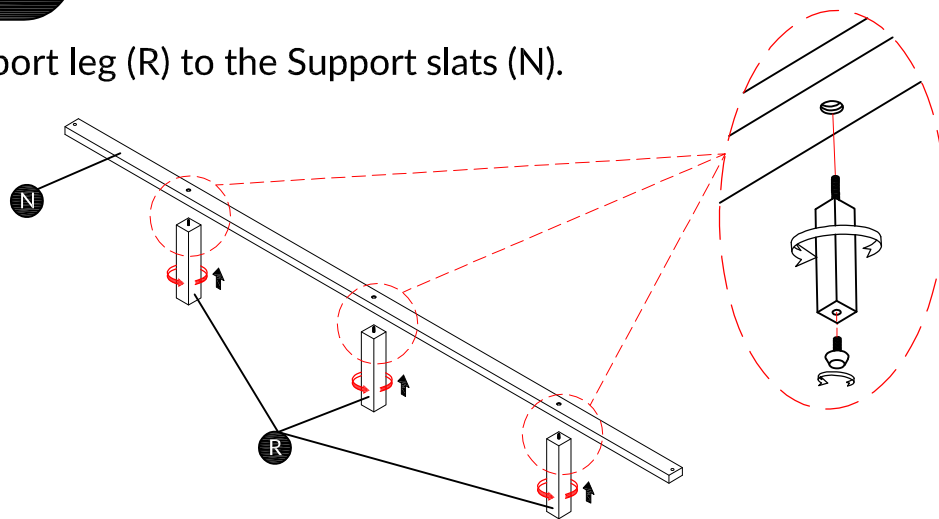
Attach bolt (#7,8) to the legs (P, Q) completed in assembly Step 6 and Step 7. Align the Side rails onto bolt (#7,#8), then secure it with lock washer (#9) and Nut (#10). Tighten with Allen Wrench (#11) as shown in the picture.



#7	x4	#8	x4	#9	x8	#10	x8	#11	x1
									
φ5/16x70mm		φ5/16x80mm		φ5/16"		φ5/16"		12	

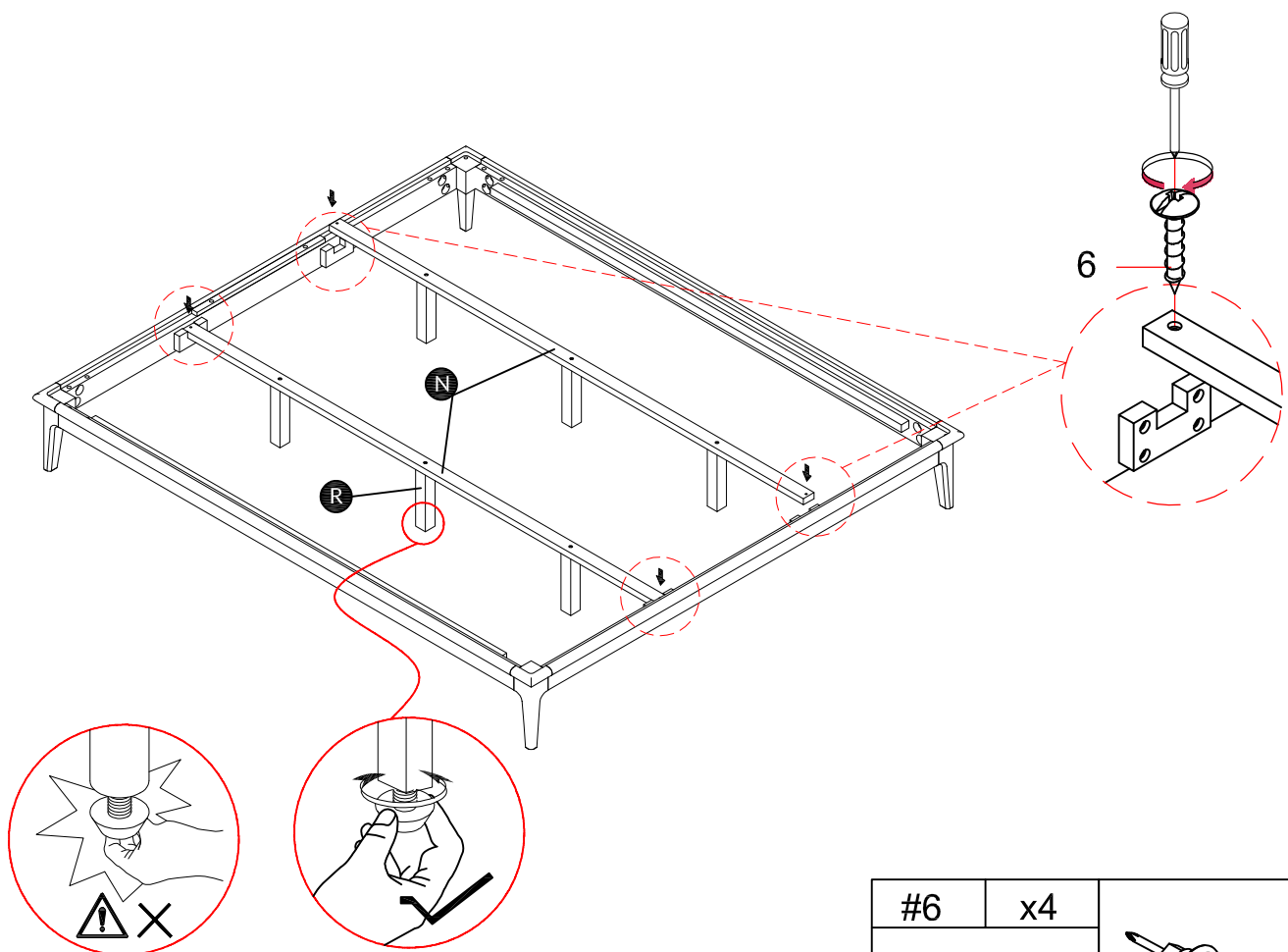
Step 9

Attach the Support leg (R) to the Support slats (N).

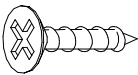
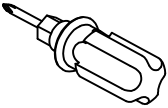


Step 10

Attach the assembled Support slats (N) from Step 9 to the fully assembled frame from Step 8, use screw (#6). Tighten the screws with a screwdriver (not included), as shown in the illustration.

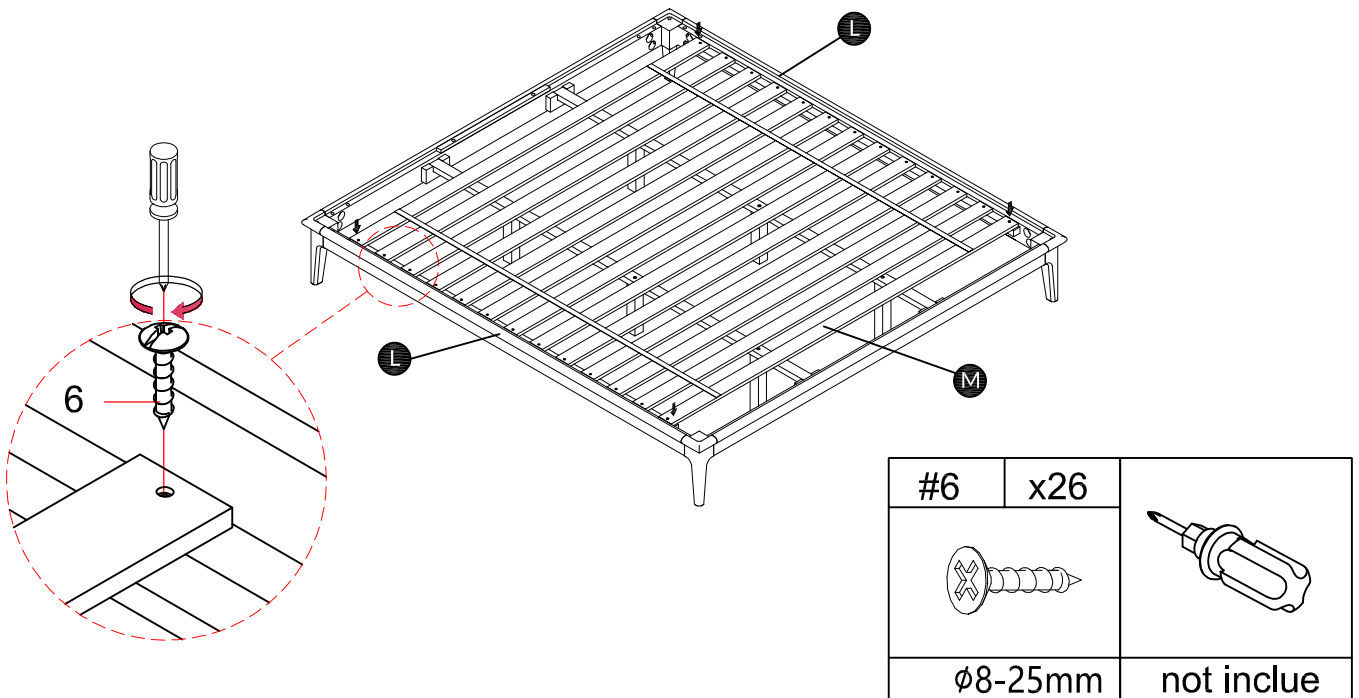


Adjust leveler on the Support leg (R) to sit right above the floor.

#6	x4	
		
ø8-25mm	not include	

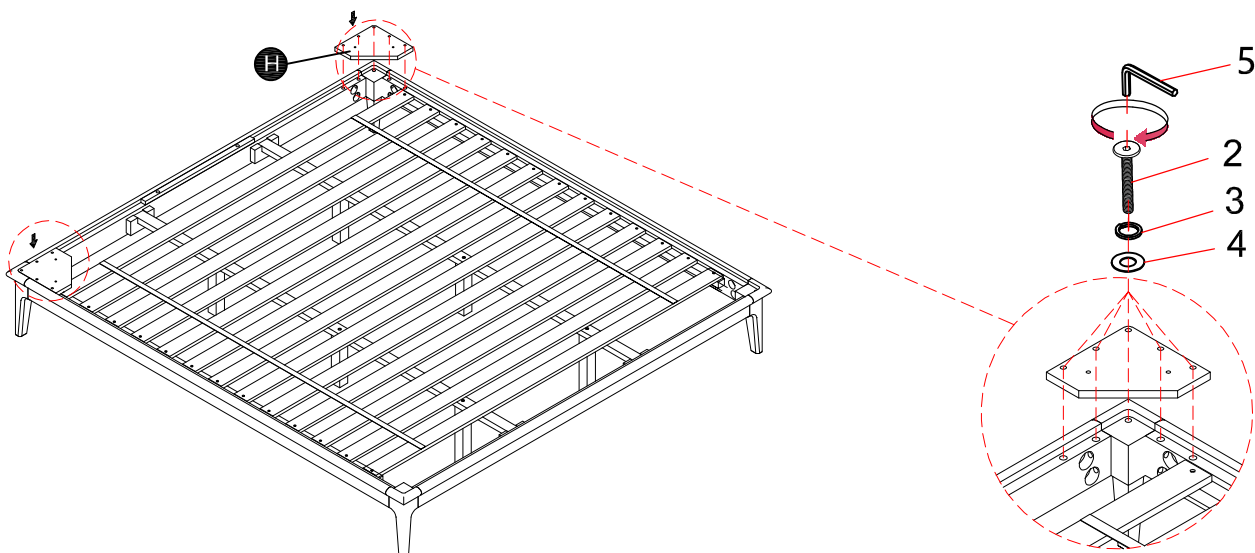
Step 11

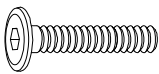
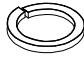


Evenly place slats (M) over the side rails (L) and secure by using screw (#6). Tighten the screws with a screwdriver (not included), as shown in the picture.



Step 12

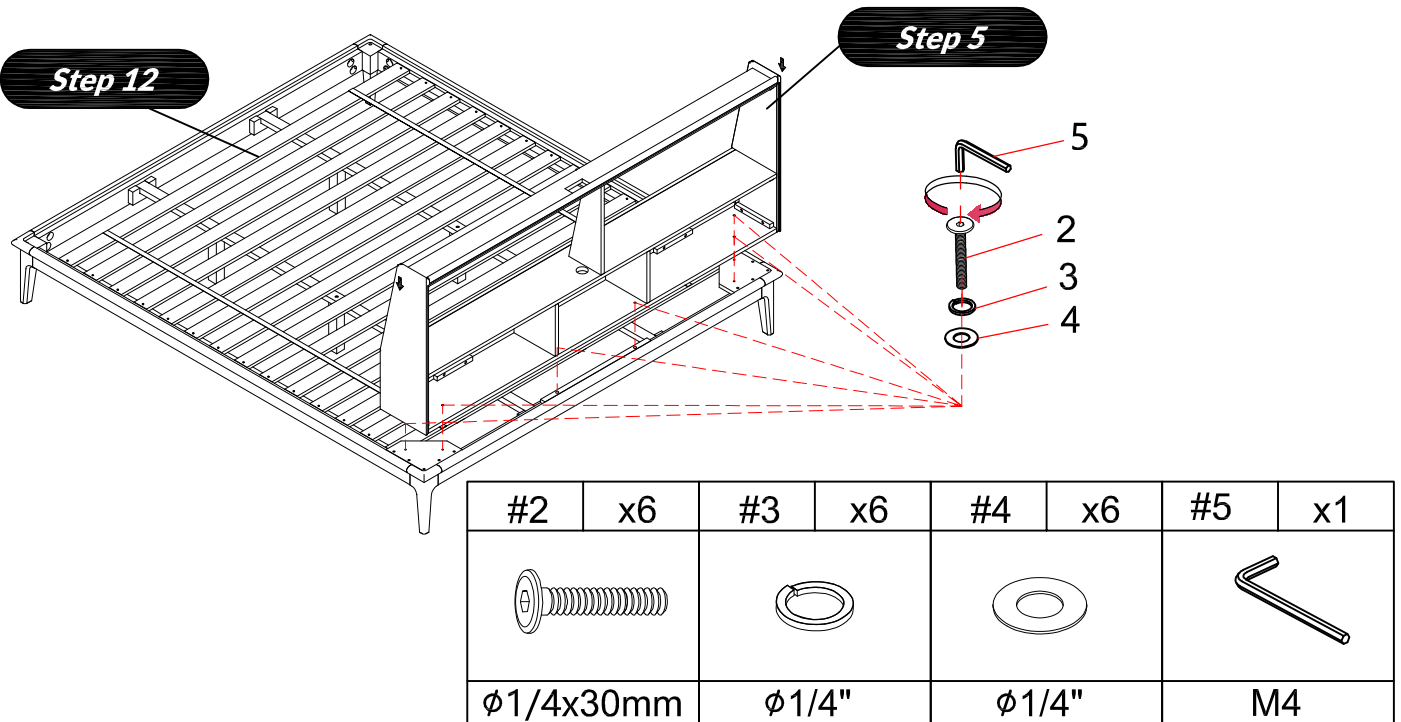
Attach mounting plate (H) to the assembled frame from Step 11. Align all holes, secure with bolt (#2), spring washer (#3), and flat washer (#4). Tighten with allen key (#5) as shown in the picture.



#2	x10	#3	x10	#4	x10	#5	x1
							
ø1/4x30mm		ø1/4"		ø1/4"		M4	

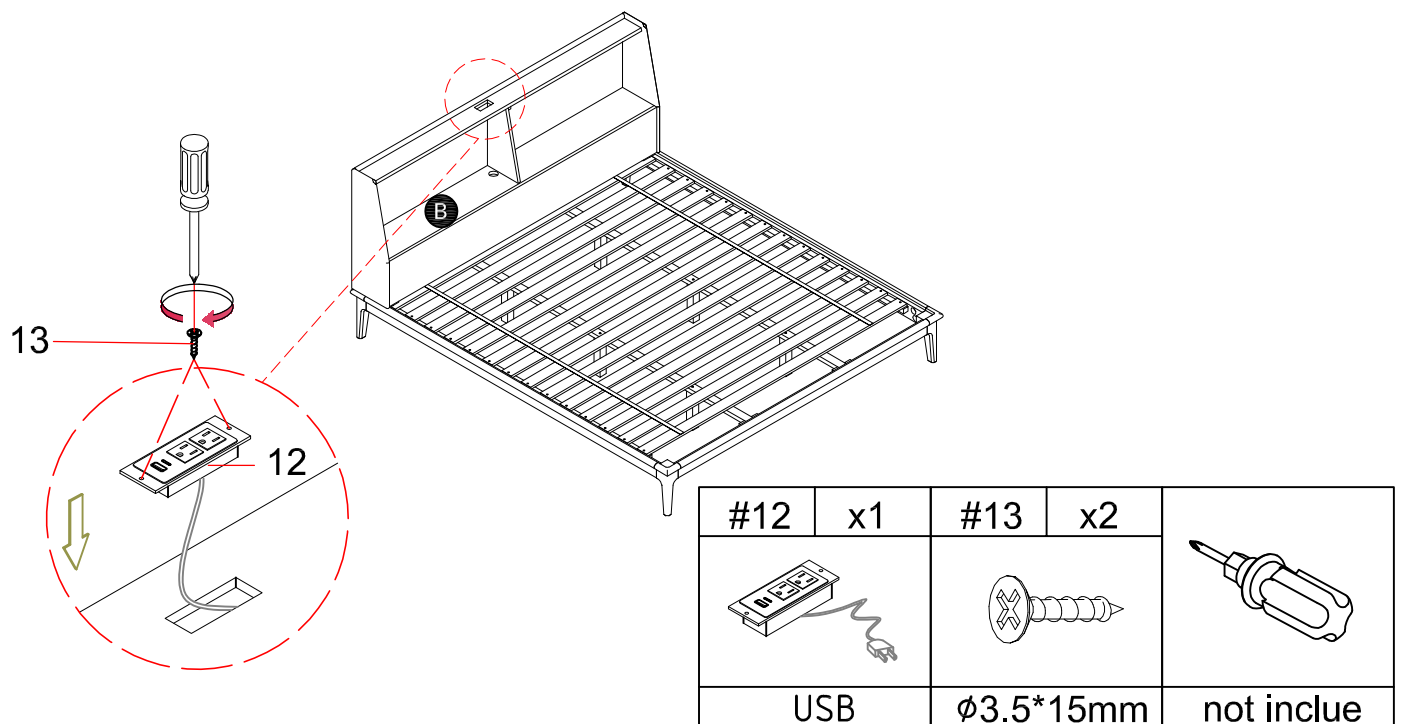
Step 13

place assembly from Step 5 onto the frame from Step 12. Align all holes. Secure with bolt (#2), spring washer (#3), and flat washer (#4). tighten with allen key (#5) as shown in the picture.



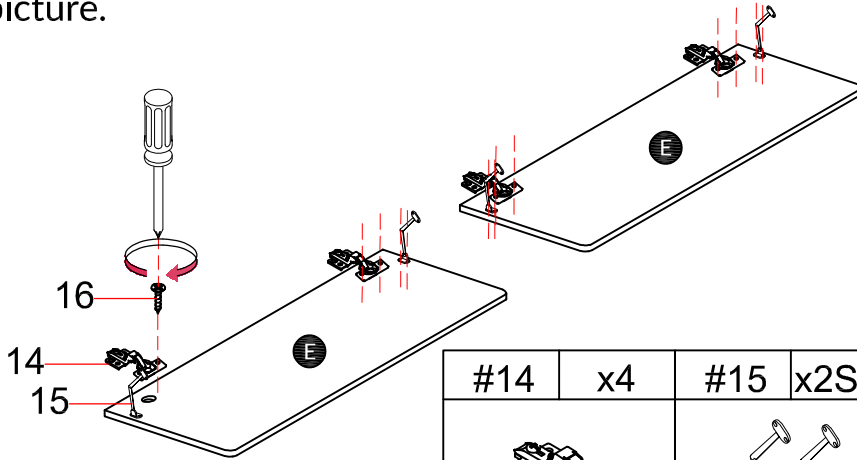
Step 14


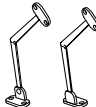
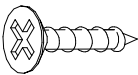
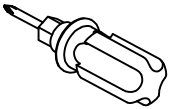
Attach USB port (#12) to the assembly from Step 13. Route the cable through the hole in panel (B) to the outside. Secure with screw (#13) and tighten with a screwdriver (not included) as shown in the picture.



Step 15

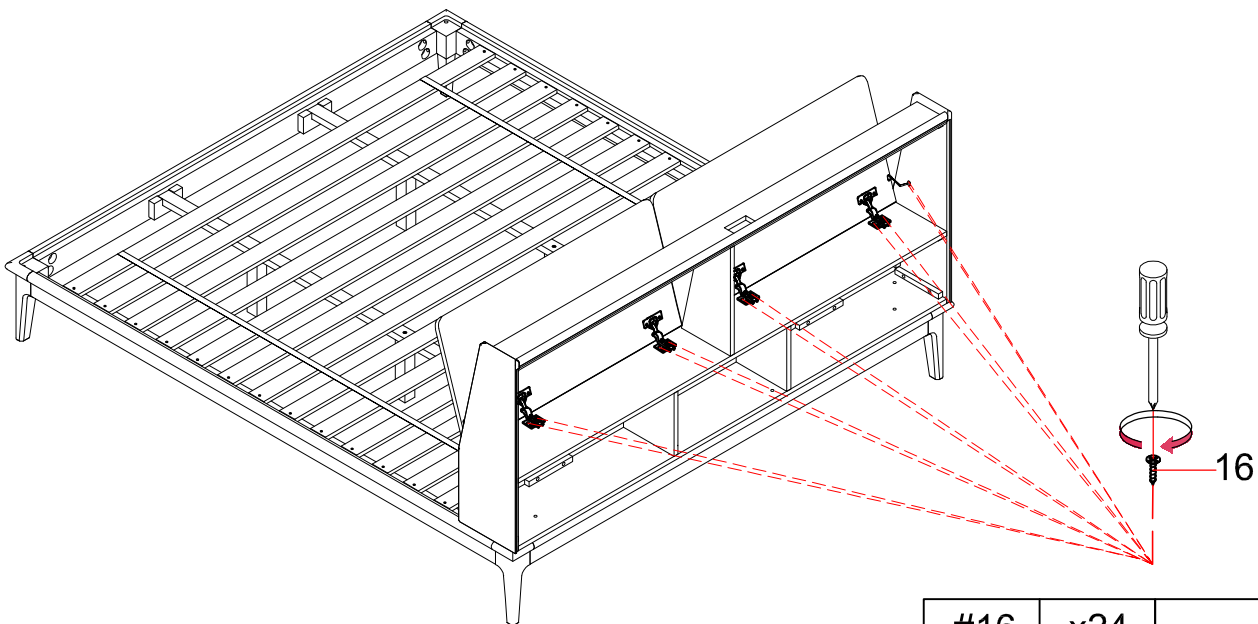
Attach folding hinges (#14, #15) to the back of door panel (E). Align all holes, secure with screws (#16), and tighten with a screwdriver (not included) as shown in the picture.

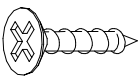
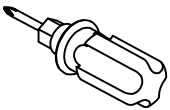


#14	x4	#15	x2SET	#16	x16	
						
ø35				ø3.5*15mm		not include

Step 16

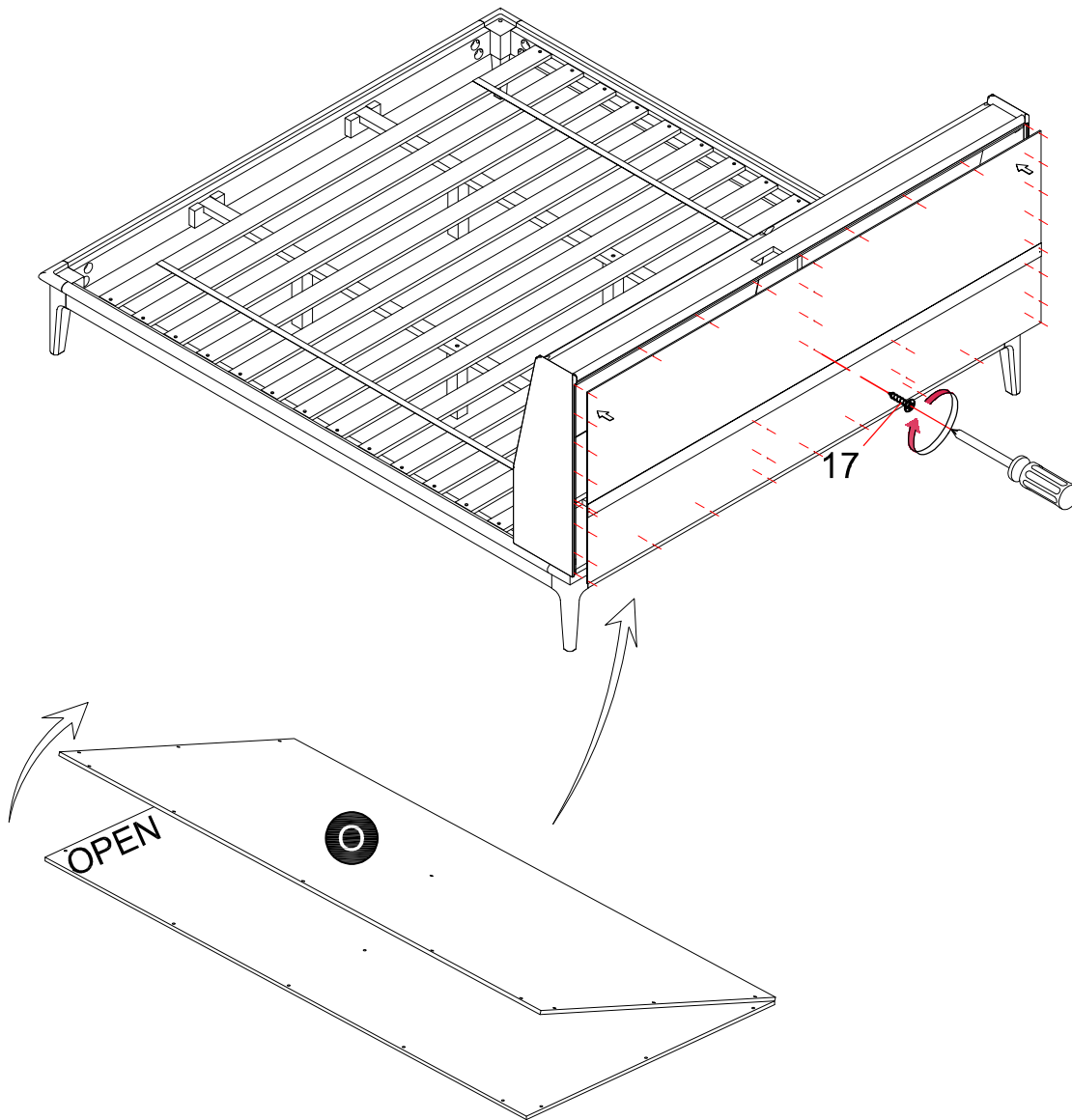
Attach door panel from Step 15 to the headboard from Step 14. Align all holes, secure with screw (#16), and tighten with a screwdriver (not included) as shown in the picture.

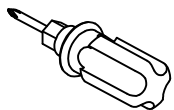
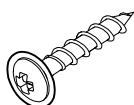


#16	x24	
		
ø3.5*15mm		not include

Step 17

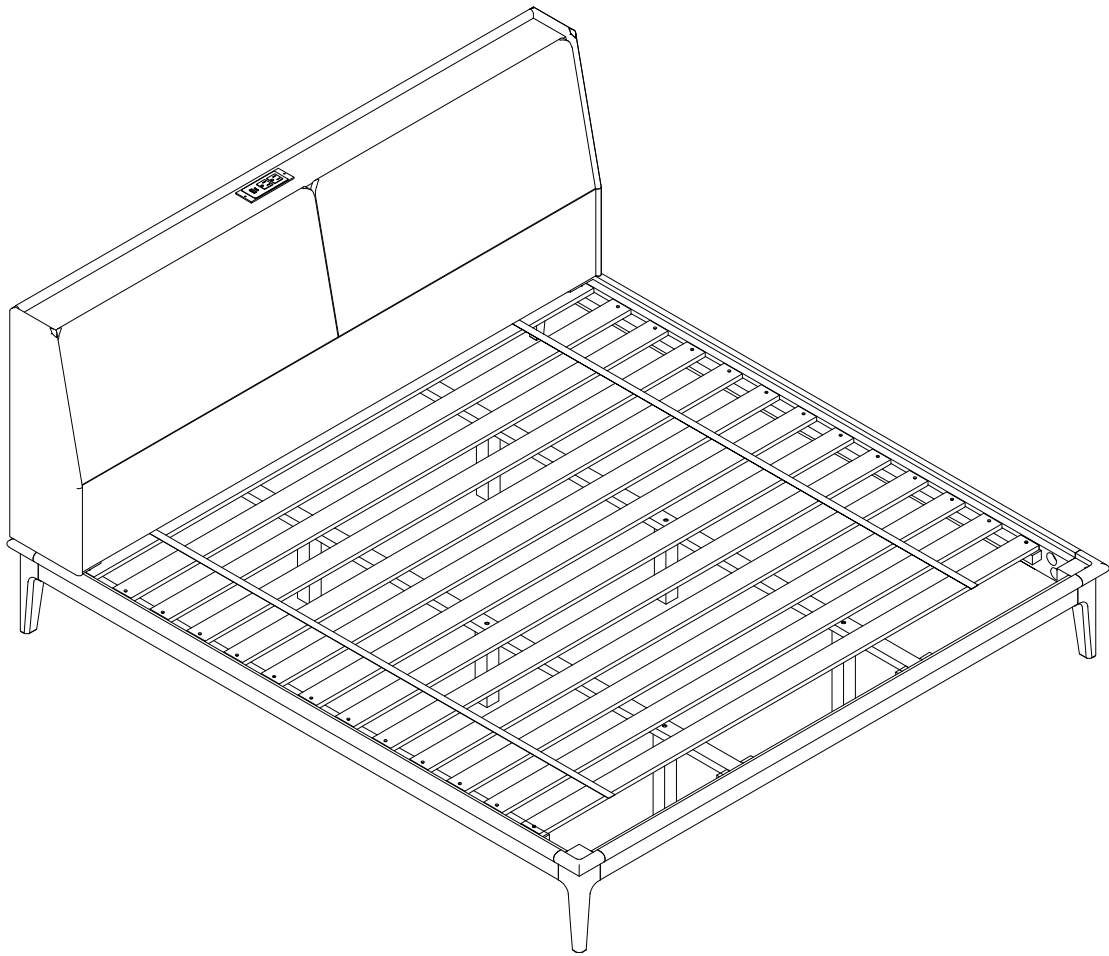
Open back panel (O), insert inner back panel into the groove from Step 16. Align all holes, secure with Screw (#17), and tighten with a screwdriver (not included) as shown in the picture.



#17	x42	
		
ø4*15mm		not include

Functions Introduction

Recliner Button



WARRANTY

- We strive to offer quality products, and we also try our best to satisfy every customer who orders from us with products or services as needed.
- We provide 30 days warranty starting from the time you receive the item. Each customer must provide a record of their orders such as the order number, or item receipt for any items that are out of the warranty period you may also still receive.
- Replacement parts by purchasing them from our company if they are available.
- For return, please check the return policy with the retailer or market place you bought from

Are you having difficulty

With assembly? Missing parts?
Please send an email with your order No.to
hello@hulalahome.com

Appreciate your purchasing from us.
Pop up your life by our furniture piece!