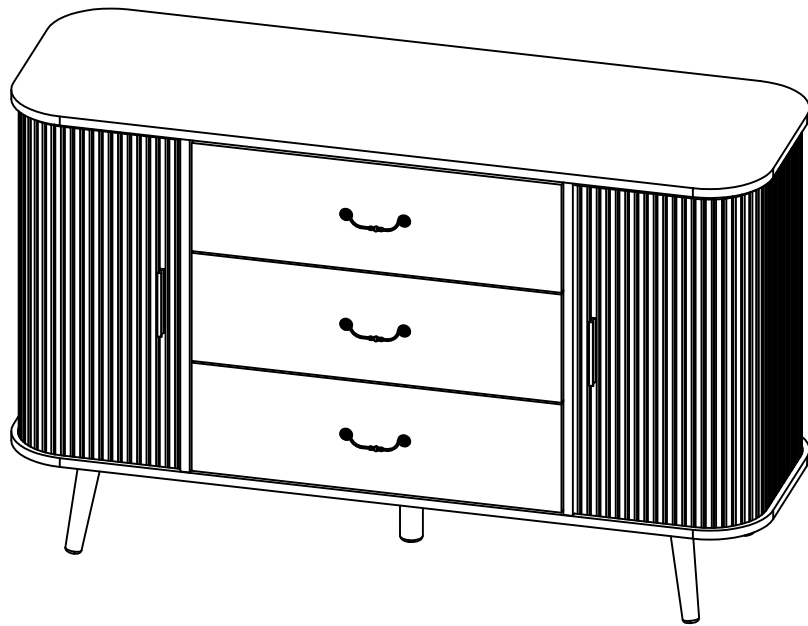
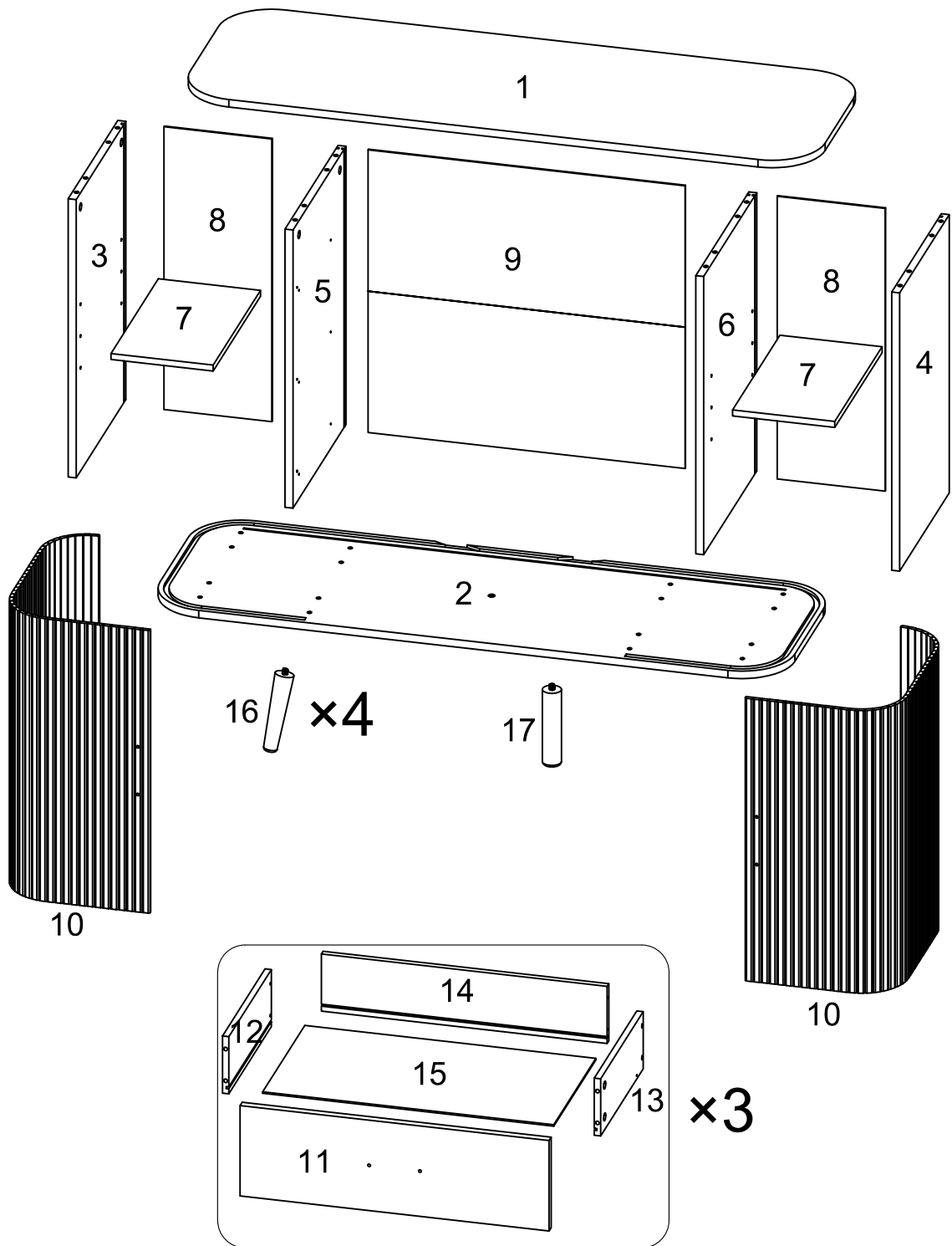


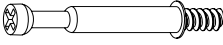

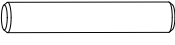
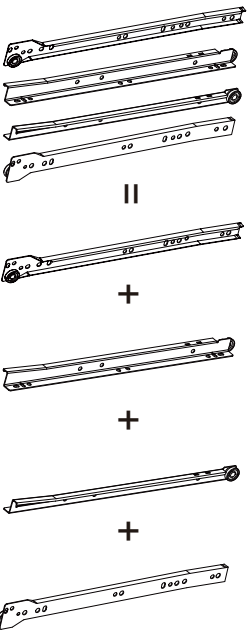





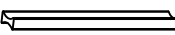
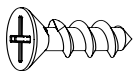
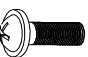
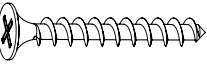
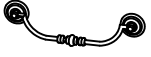



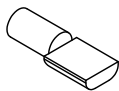
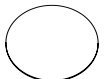

Installation & Assembly

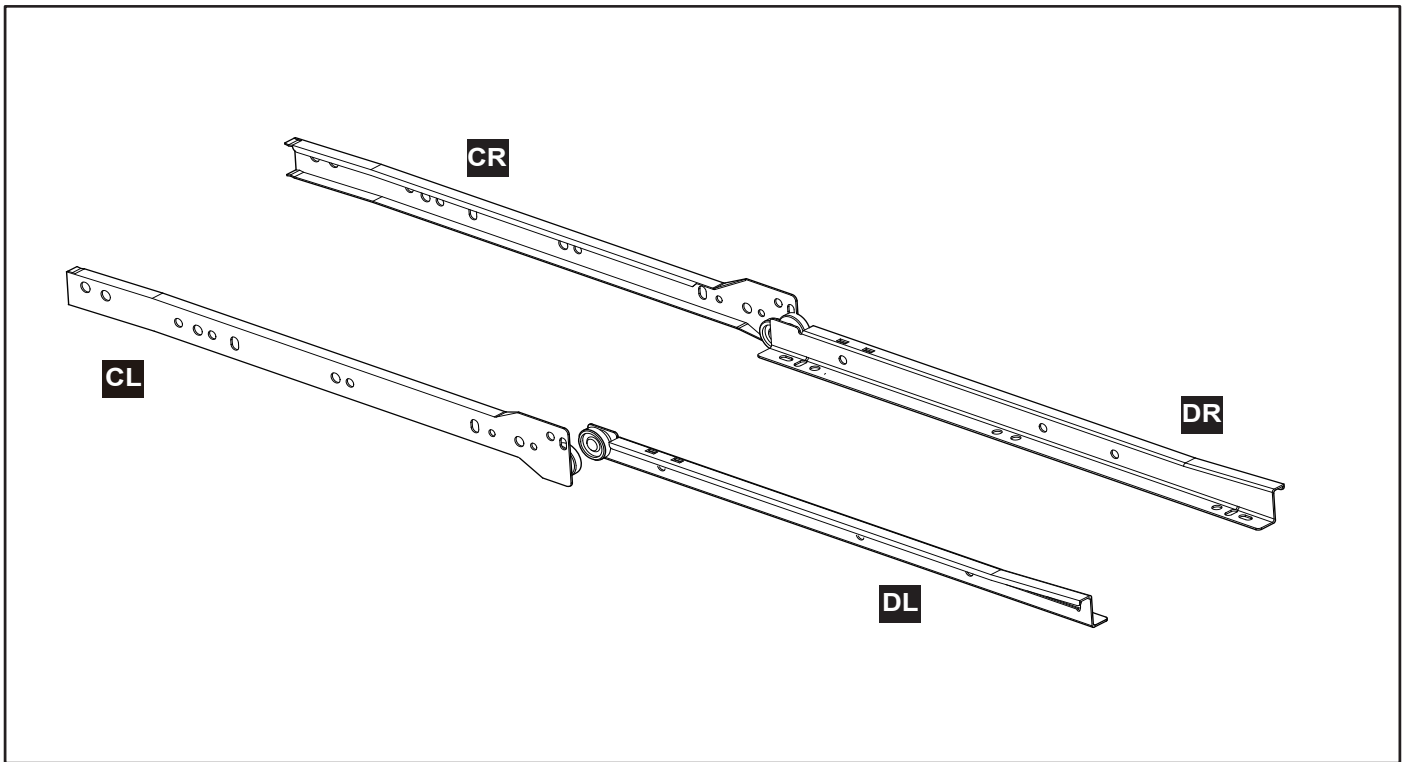


EXPLODED DRAWING

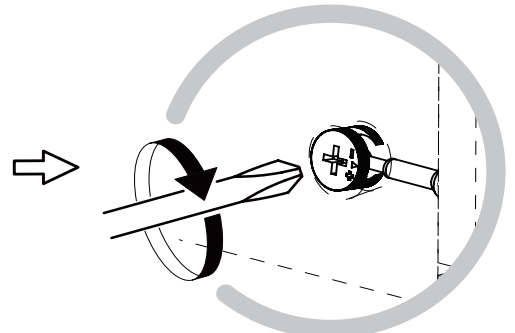
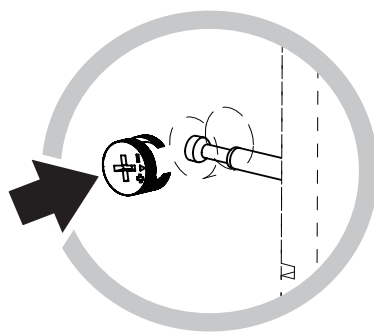
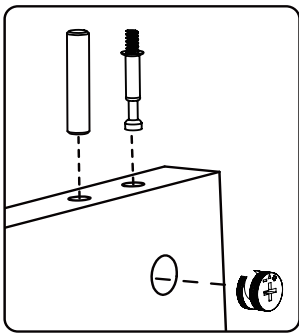


PARTS

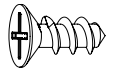


 <p>A X20 M6x35</p>	 <p>B X20 M15x10</p>	 <p>C X16 M8x30</p>
 <p>D X3 300</p> <p>CL</p> <p>DL</p> <p>DR</p> <p>CR</p>	 <p>E X36 M3x12</p>	 <p>F X8 M7x50</p>
 <p>G X4 M6x45</p>	 <p>H X1 M6xφ23x15</p>	 <p>J X12</p>
 <p>L X2</p>	 <p>K X12 M3x14</p>	 <p>M X2 M4x10</p>
 <p>N X12 M4x35</p>	 <p>P X3</p>	 <p>Q X6 M4x18</p>
 <p>190x20x1 M4x14 R X2</p> <p>φ13 M6x30 M4x35</p>	 <p>S X20 M4x14</p>	 <p>T X8</p>
 <p>U X20 M20</p>	 <p>V X1 M4</p>	

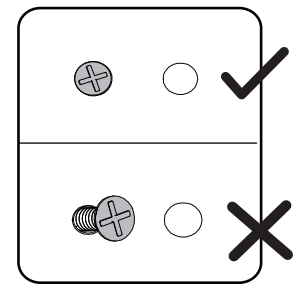
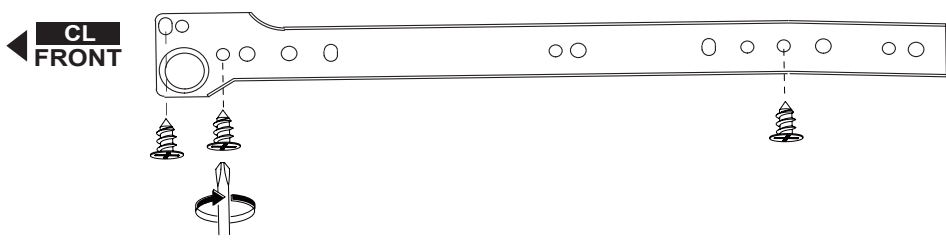
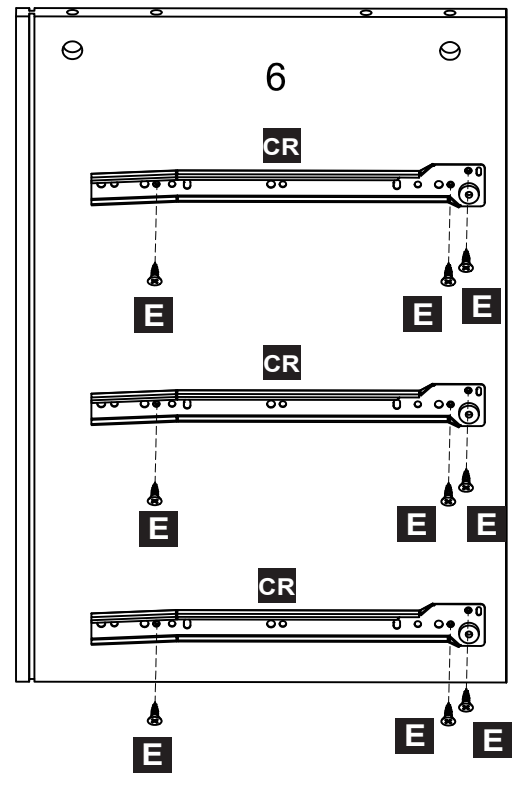
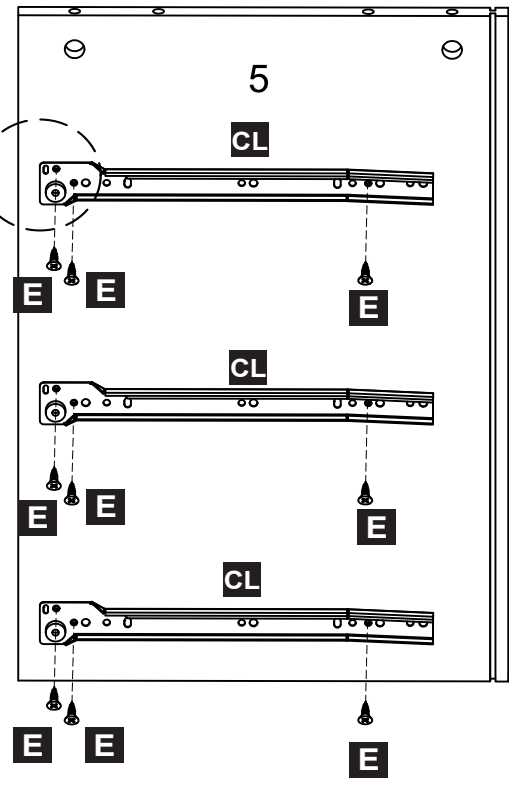
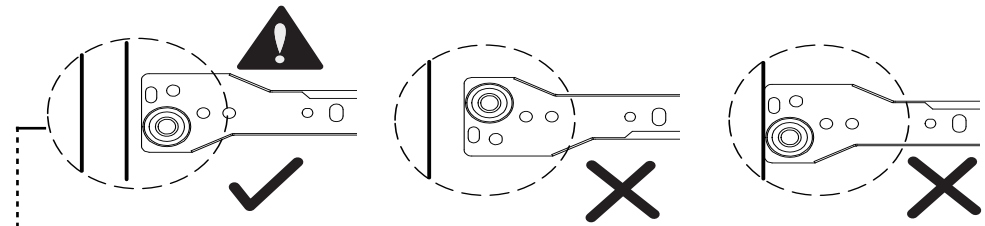


MINIFIX POSITION





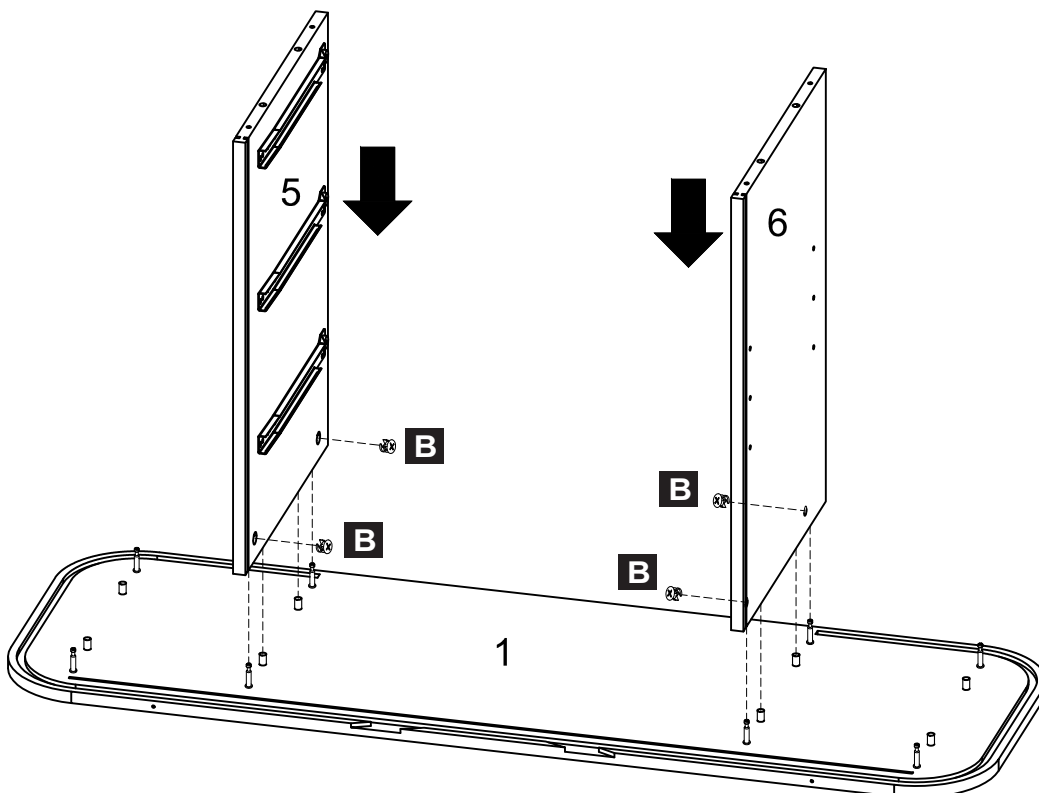
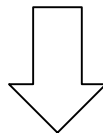
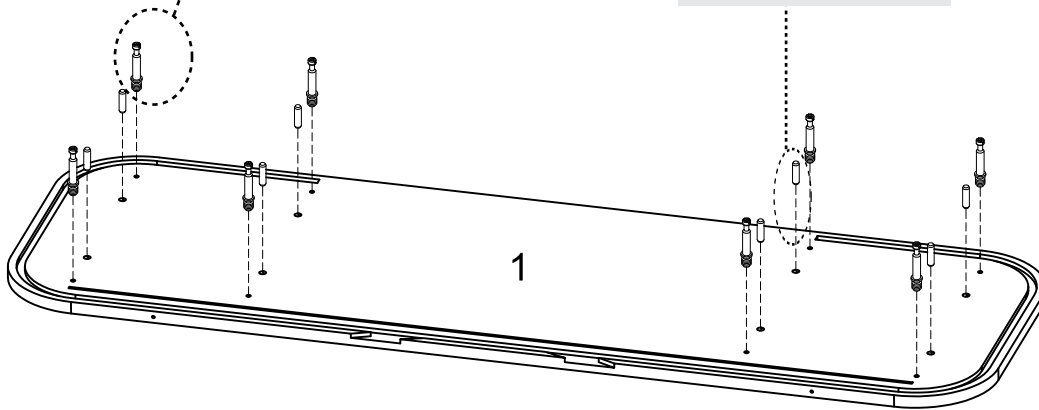
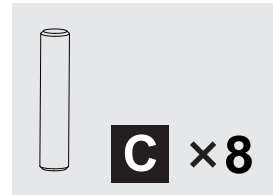
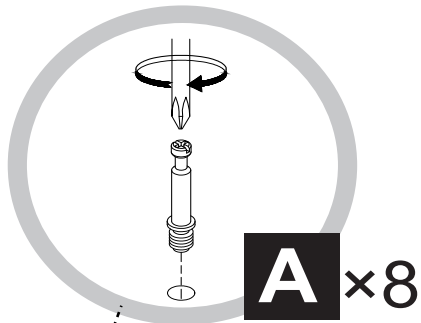
1

	E × 18 M3×12
	CL × 3
	CR × 3



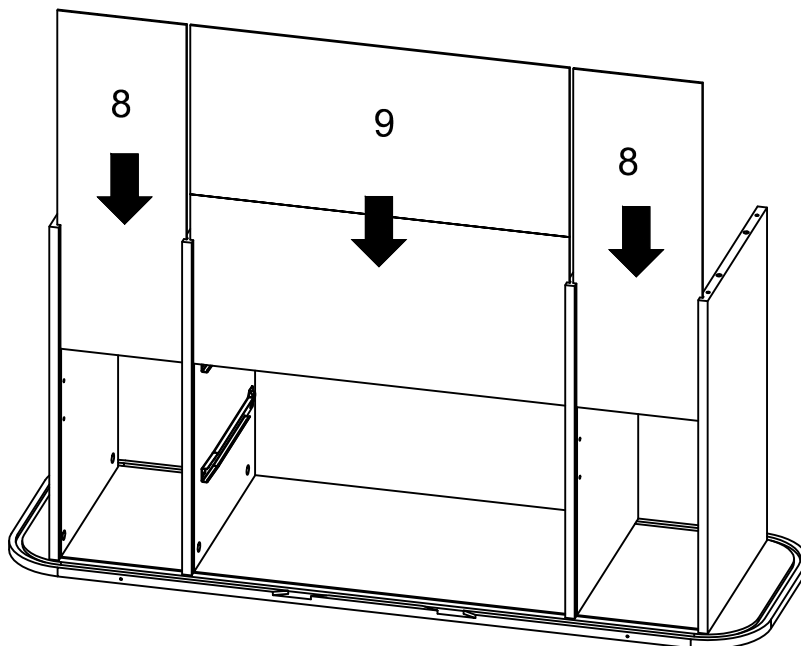
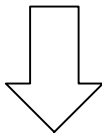
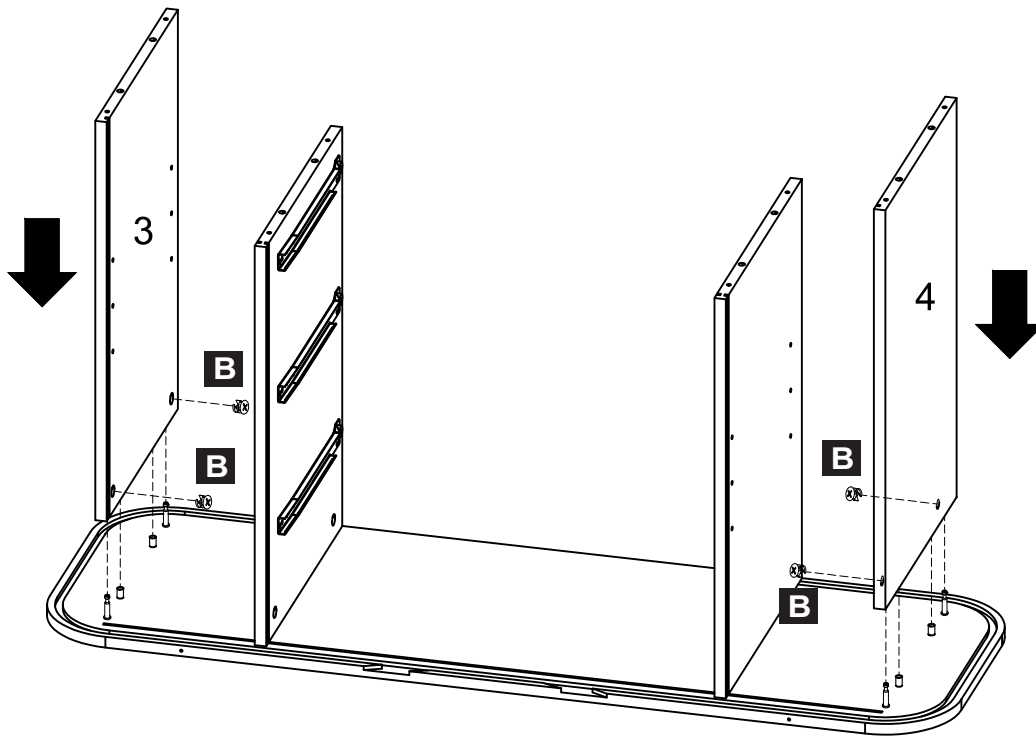
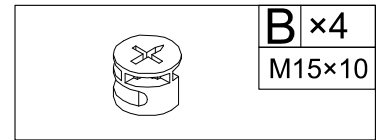
2

	A × 8 M6×35		B × 4 M15×10
			C × 8 M8×30

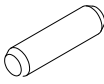
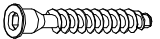



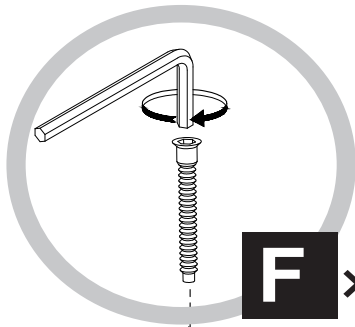
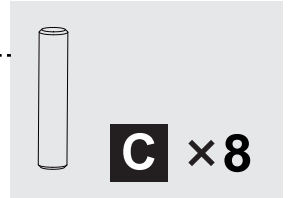
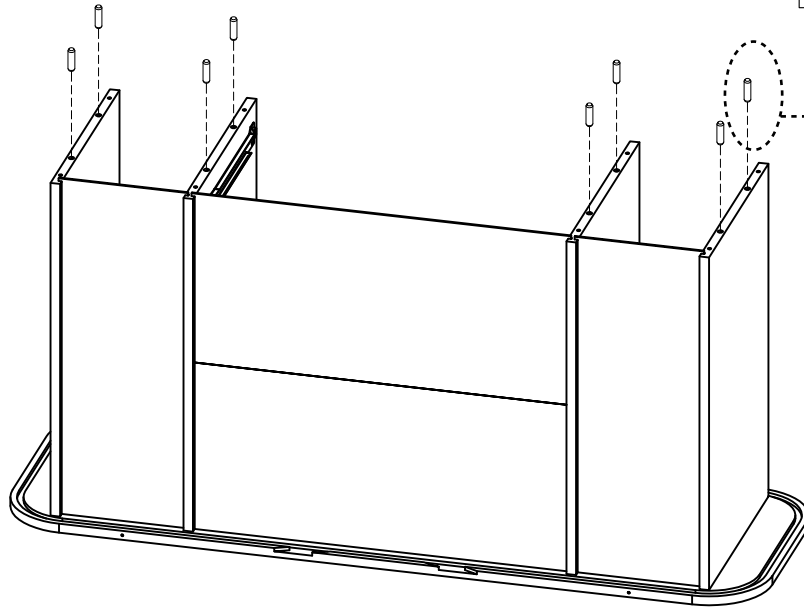
5

3

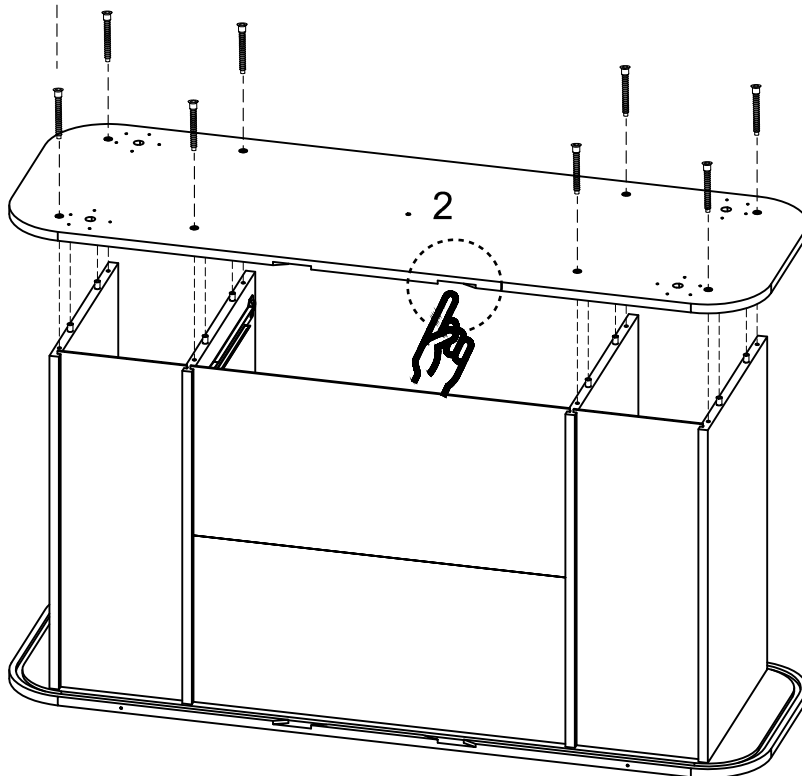


4

	C × 8 M8×30		F × 8 M7×50
			

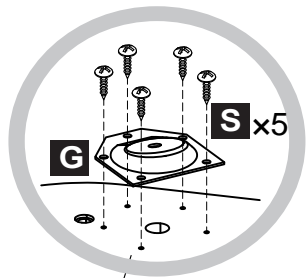





F × 8

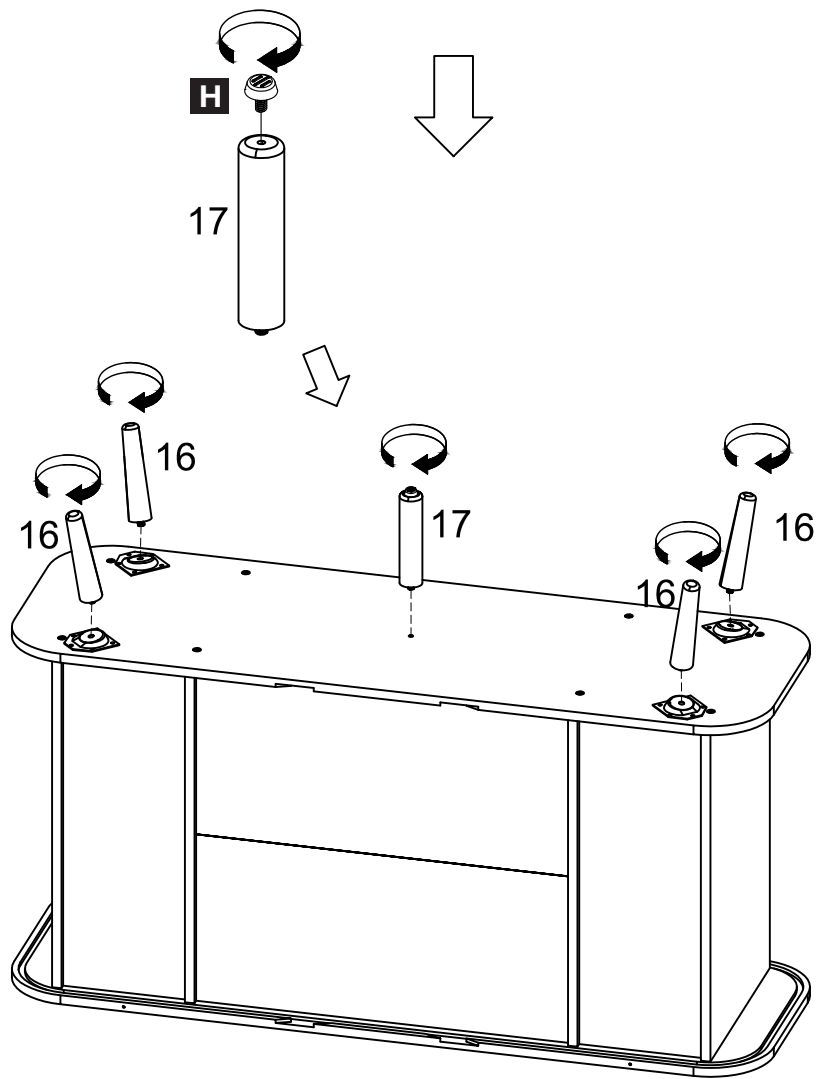
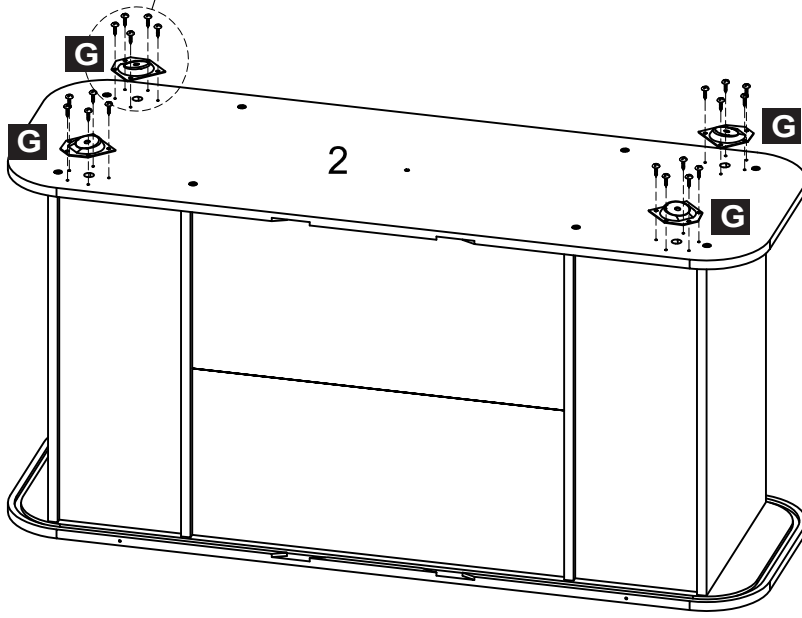


7

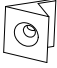

5

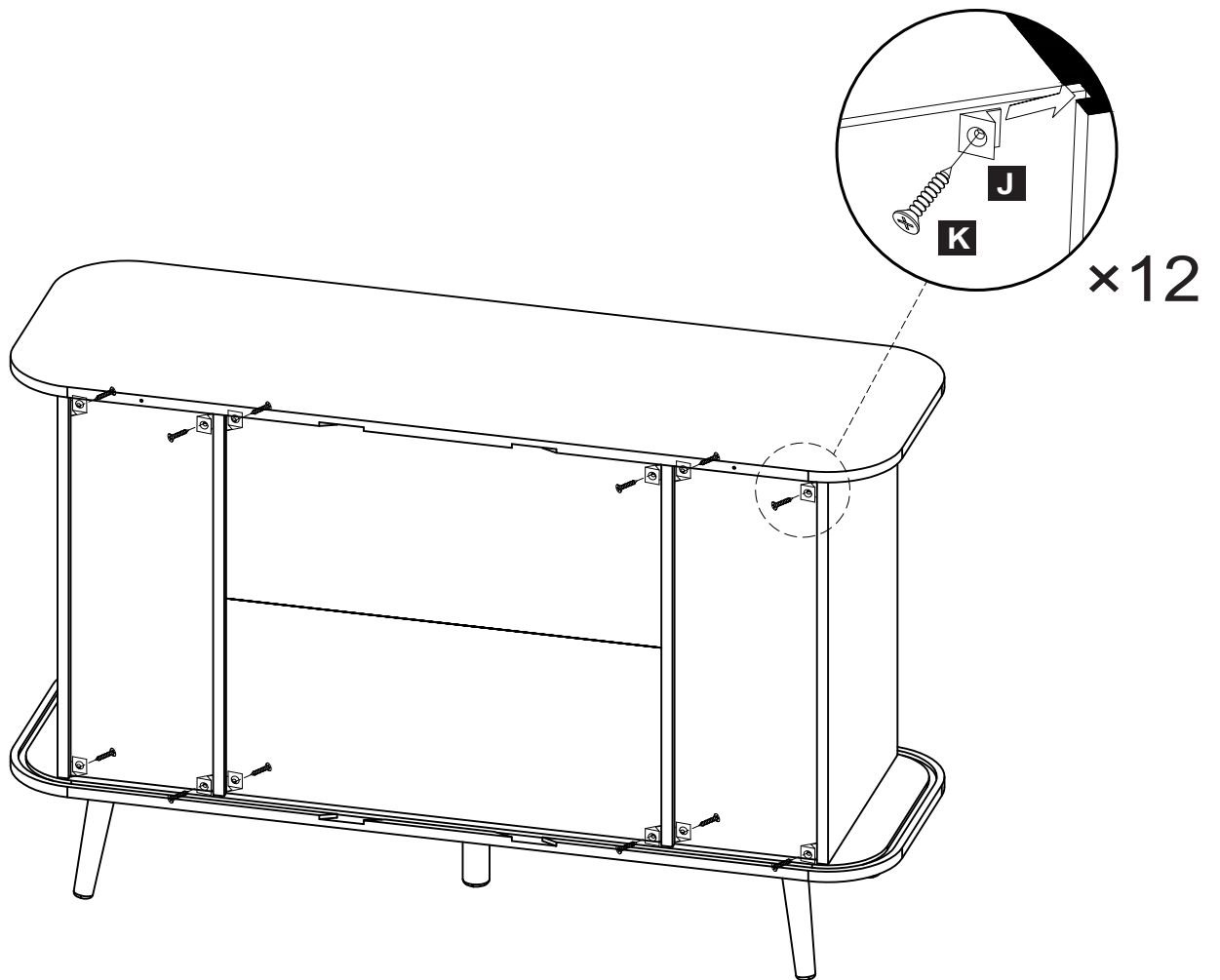


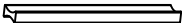

	G × 4		S × 20 M4 × 14
			H × 1

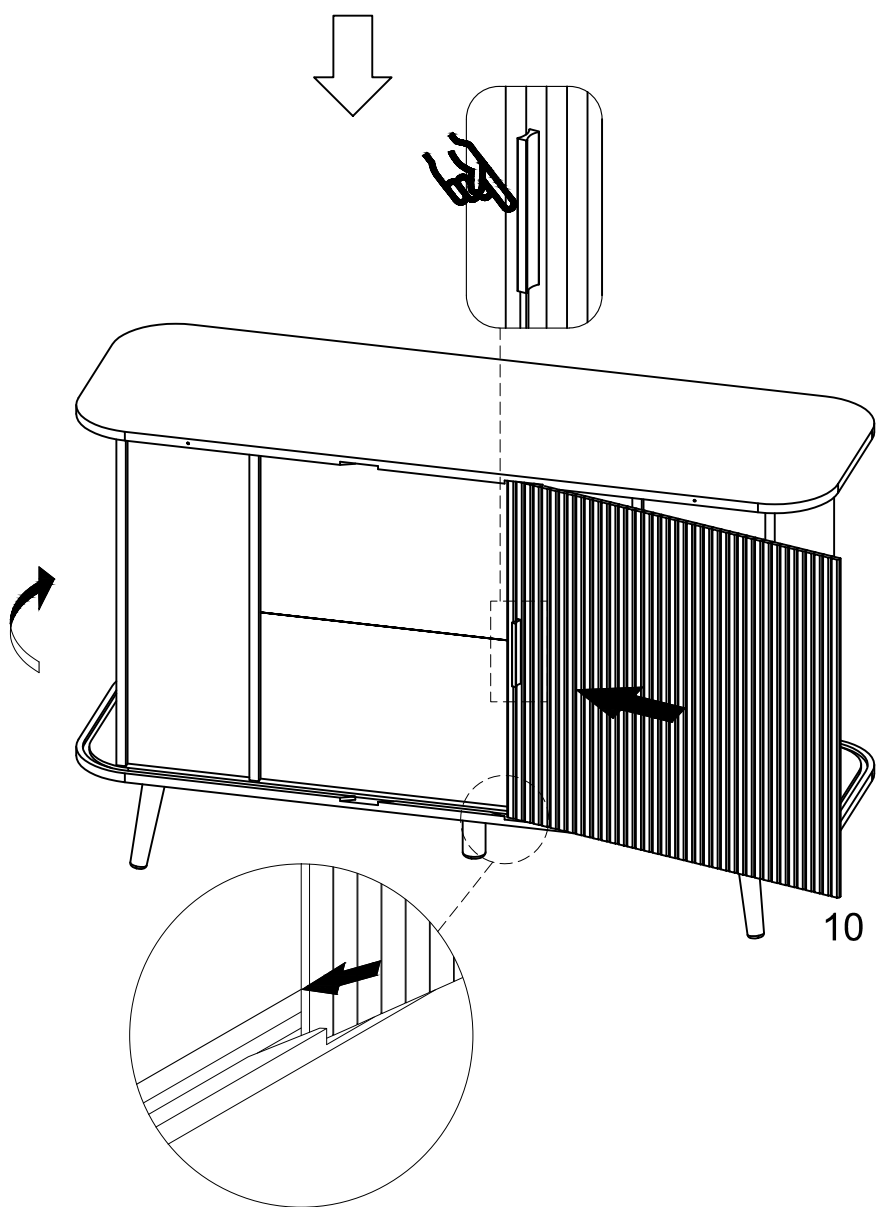
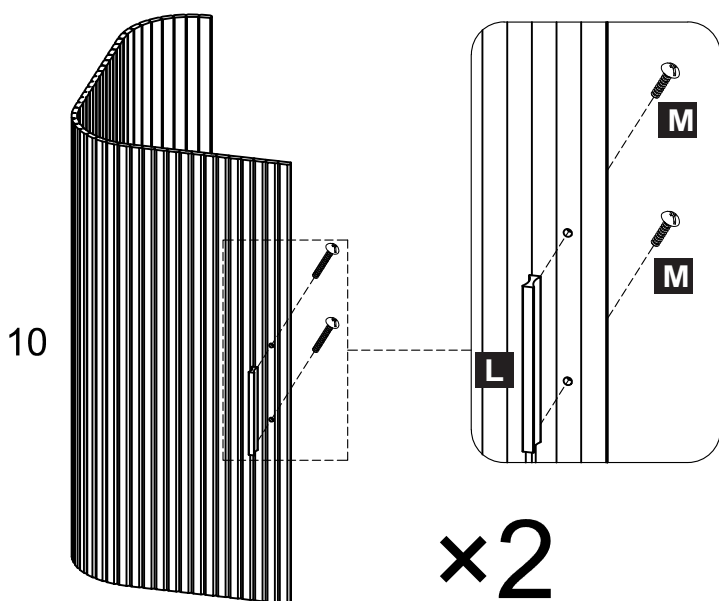


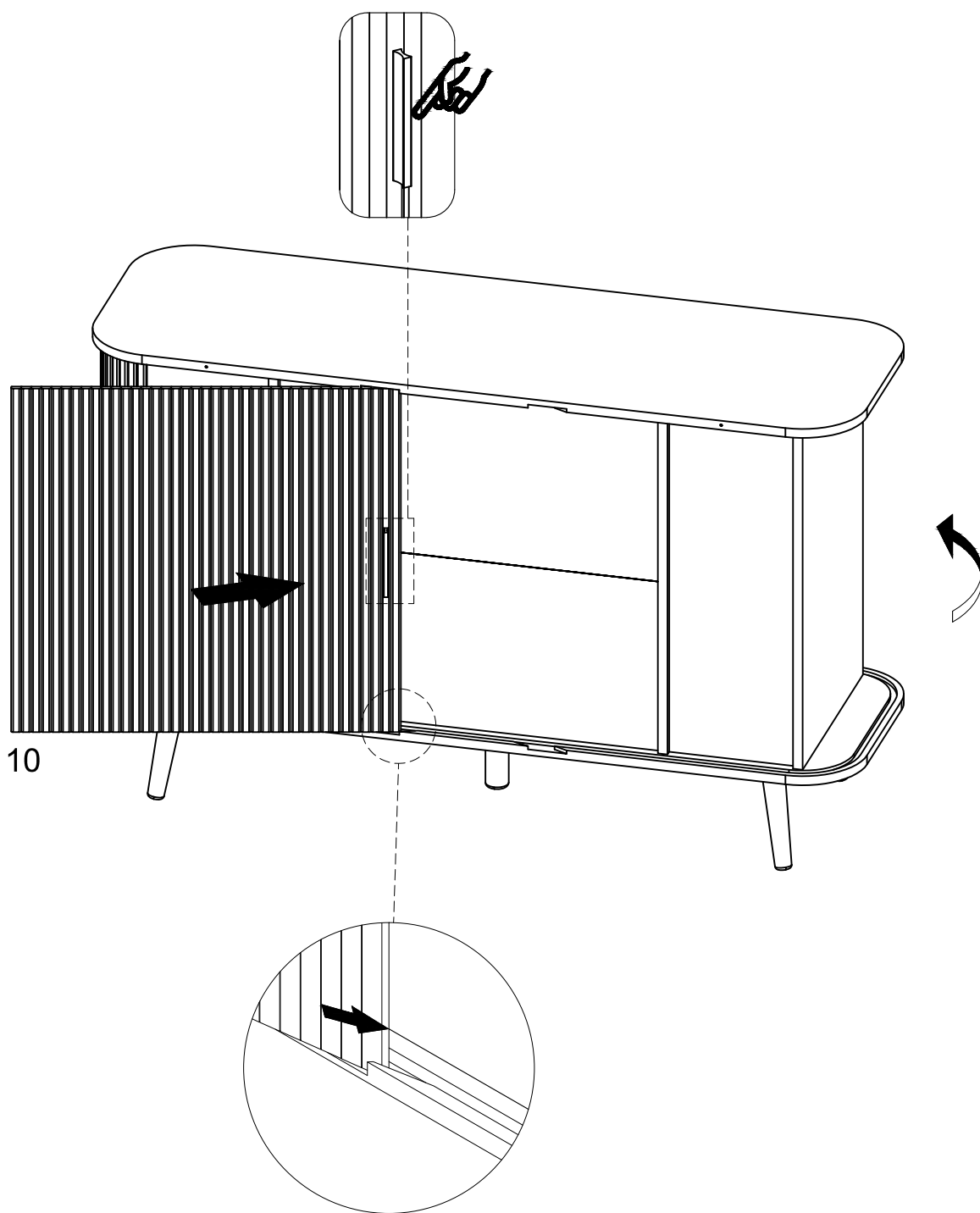
6

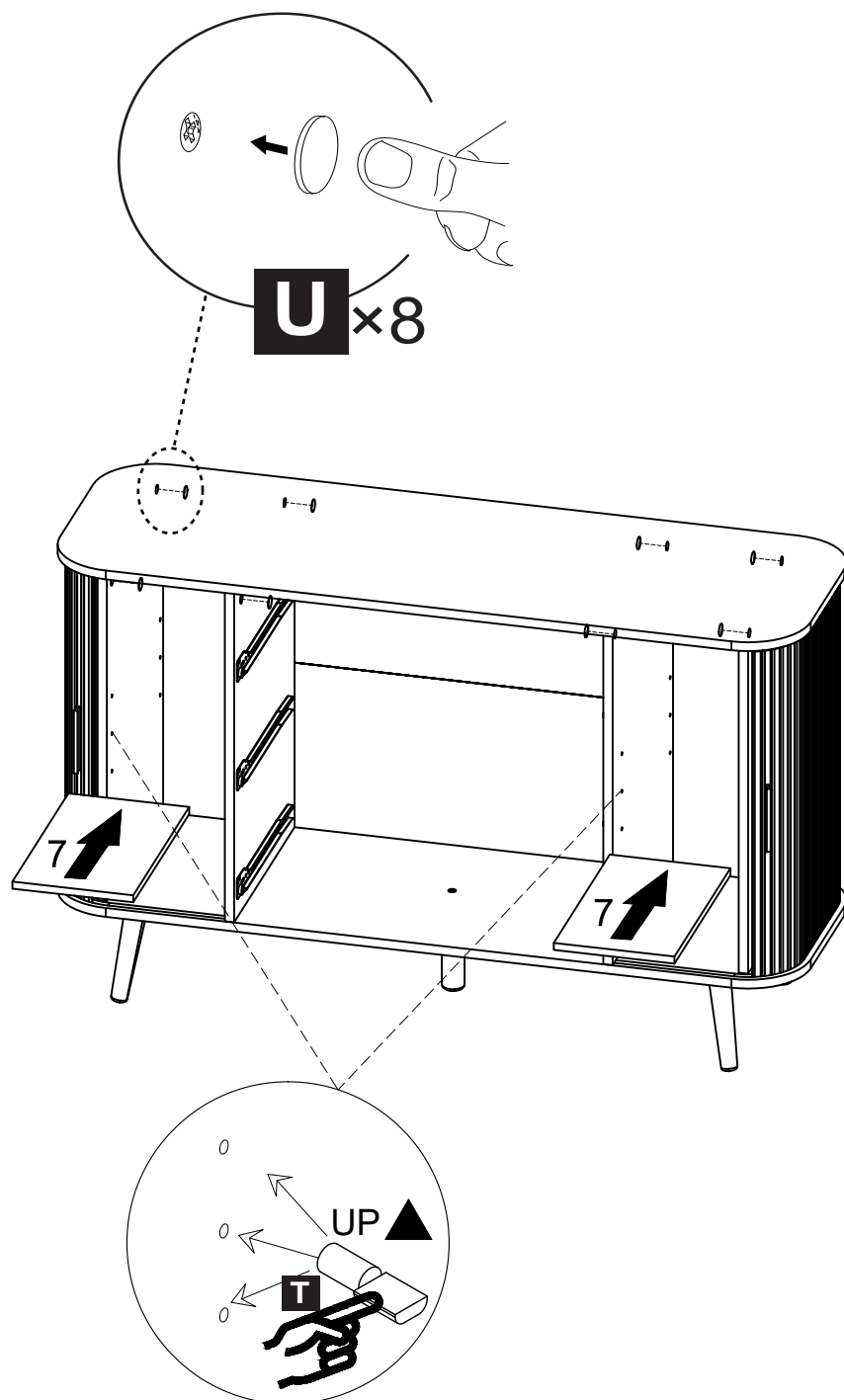
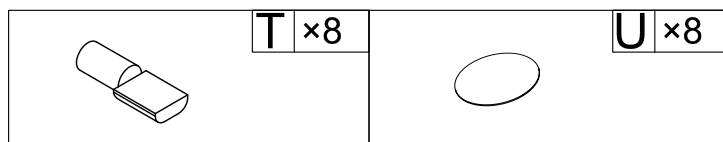
	J ×12		K ×12 M3×14
---	--------------	---	-----------------------

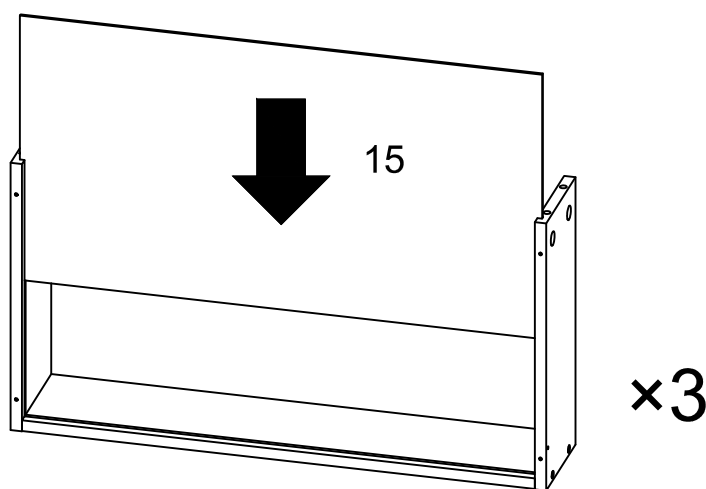
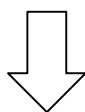
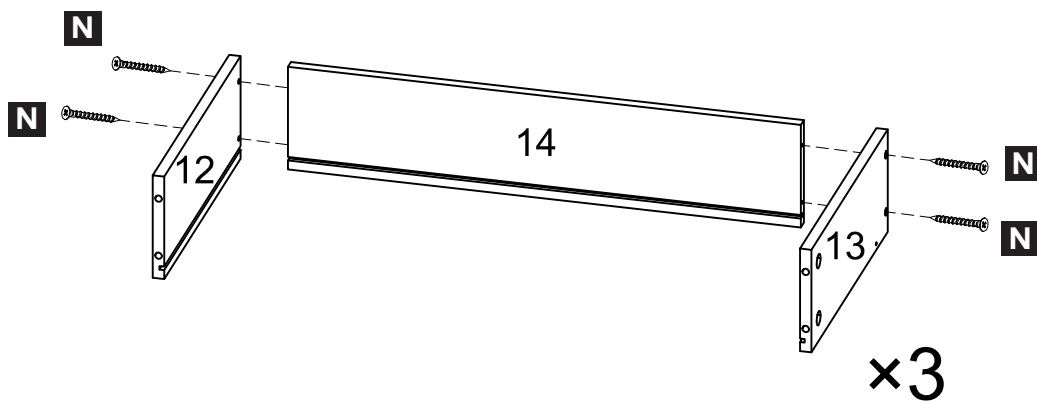
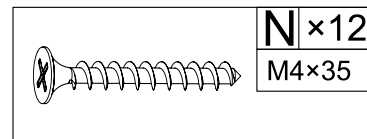


 L x2	 M x4 M4x10
--	--

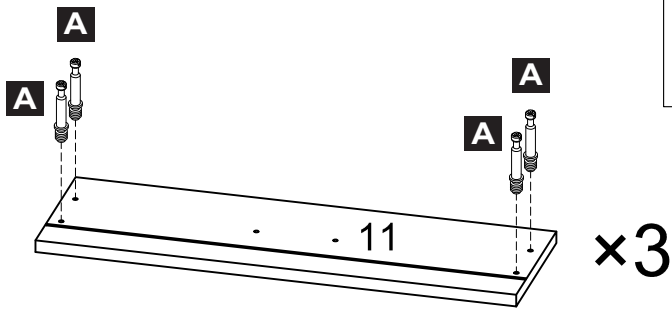


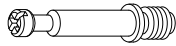

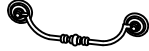

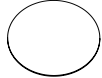


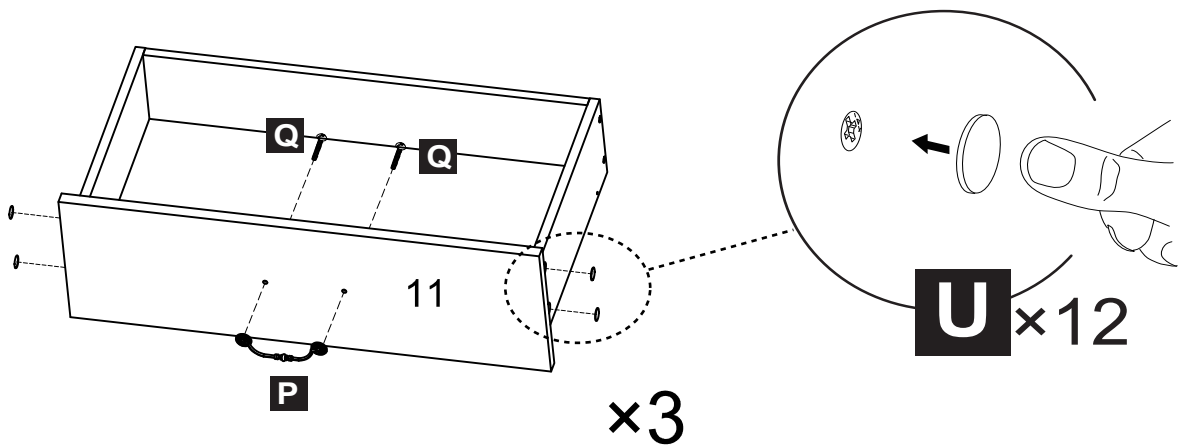
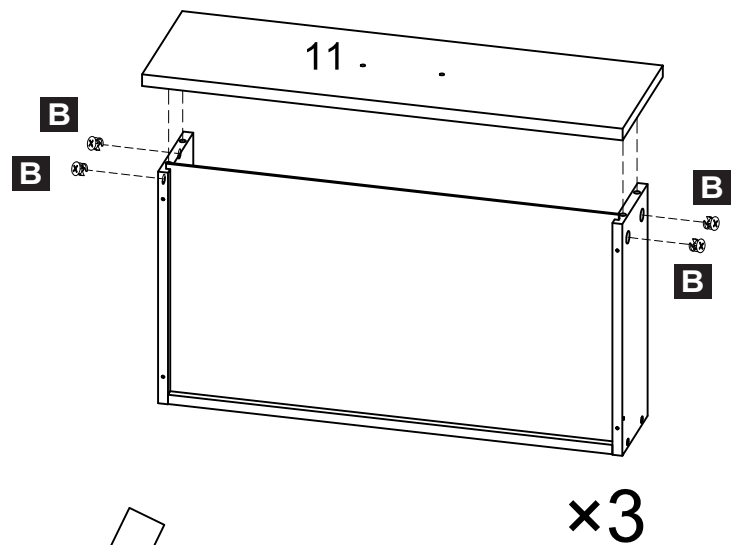
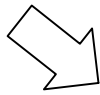


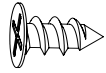
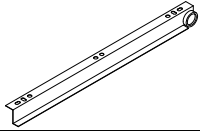
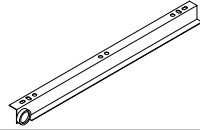


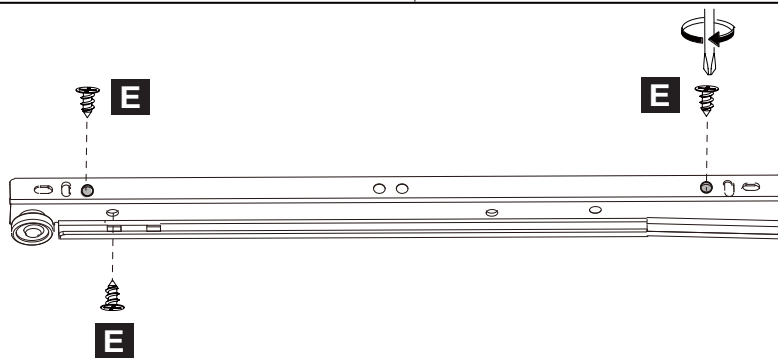
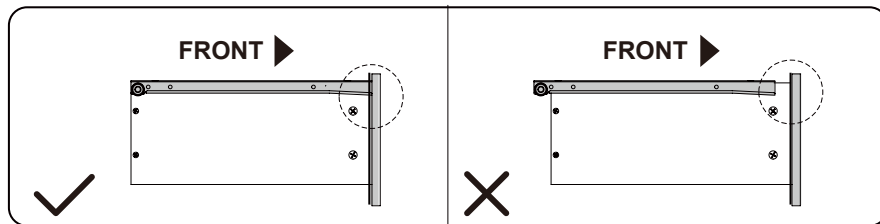
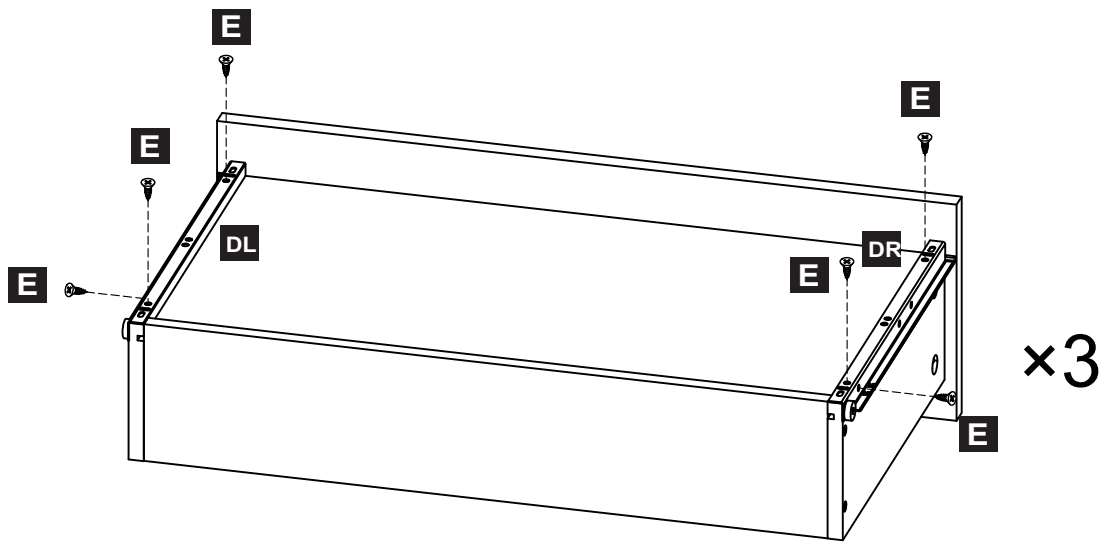
11

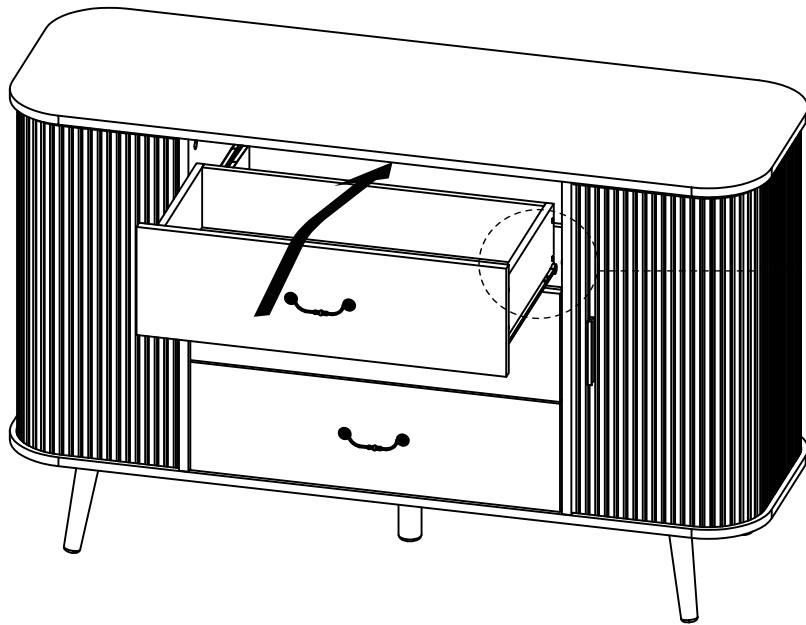
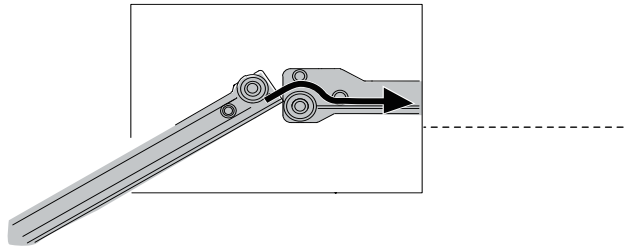


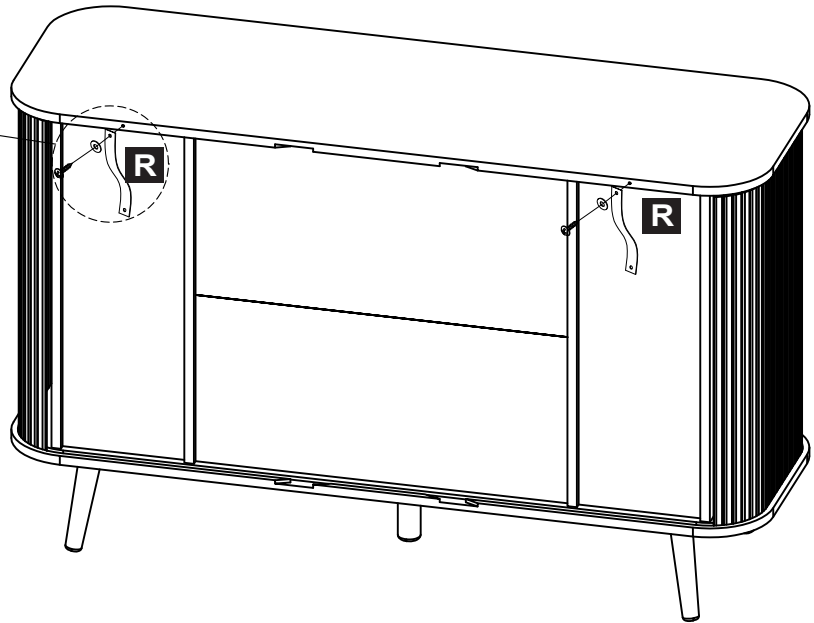
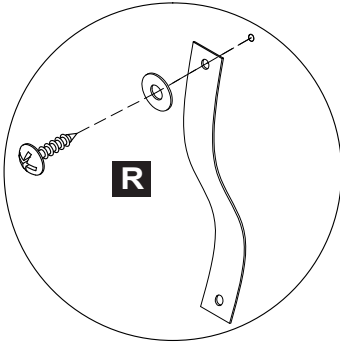
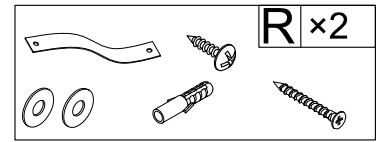
	A × 12 M6×35		B × 12 M15×10
	P × 3		Q × 6 M4×18
			U × 12



	E ×18 M3×12
	DL ×3
	DR ×3







- (1) **WALL**
- (2) **WALL**
drilling hole
Ø6x30mm
- (3) **WALL**
- (4)

