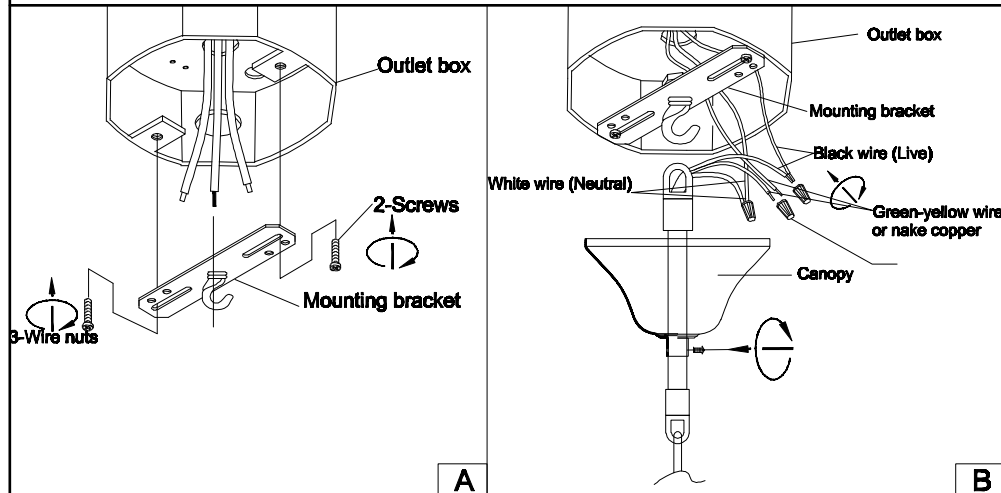


# Product installation diagram

SKU:DS-SZ52-1408467001



In order to ensure that the products you buy can be more convenient to use, please read the instructions carefully, and please be sure to refer to the drawings for assembly by professionals

**Installation steps:**

- 1: open the package to see if there are incomplete parts, according to the drawings to check whether the accessories are complete;
- 2: According to the lamp body supporting light source (light bulb or lamp cup) installed;
- 3: Put crystal jewelry or other accessories in order on the drawing.
- 4: Use a clean cotton cloth to polish the crystal or other parts;

**Precautions:**

- 1: Wear gloves when installing;
- 2: Do not install on a table or floor where gray water is not yet dry or wet.
- 3: Please cut off the power supply during installation to prevent electric shock.
- 4: Please cut off the power supply when cleaning or overhauling, please clean with non-corrosive cleaning agent when cleaning;
- 5: When replacing the lamp, please turn off the power and allow the lamp to cool before proceeding to avoid burns.

