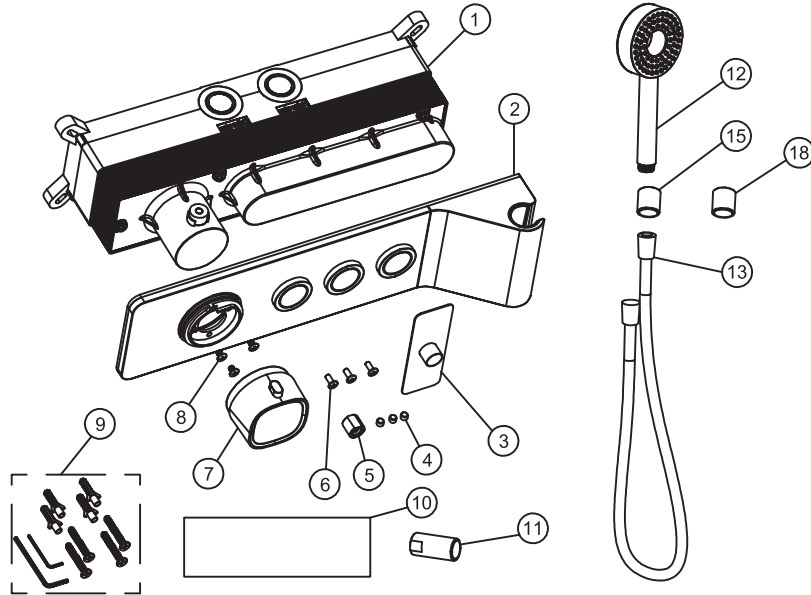


BR01018HHMB

Important Installation Considerations

- NOTE: Some showers may not provide an effective shower when used with gravity fed heated water systems or where pressures are less than 140kPa(1.4bar)at the outlet. Additionally showers with flow rates of less than 9L/min may not allow the following to function correctly:
_some instantaneous water heaters
_some tempering valves
_some thermostatic mixing valves
- Some shower heads only operate correctly when hot and cold water supplies are both mains pressure and may not be suitable for some instantaneous hot water services.
- When water pressure is in excess of 500kPa a pressure limiting device is required



NO.	Part name	QTY
1	Concealed Box and Mixer Body	1
2	Face Plate	1
3	Testing Plate	1
4	Cover	3
5	Connecting Rod	1
6	M4x40 Screw	3
7	Handle	1
8	M4x6 Screw	3
9	Fixing Kit	1
10	Measurement Cardboard	1
11	Plastic Rod (Spare)	1
12	Hand shower	1

NO.	Part name	QTY
13	Shower hose	1
14	Shower head arm	1
15	Current limiting device	1
16	Cup for decoration	1
17	Shower head	1
18	Current limiting device	1
19	Back spray head	1
20	Back spray connector	1
21	Mounting adapter	2
22	Screw hole plug	2
23	Anchor kit	1

INSTALLATION MANUAL CONCEALED MIXER VALVE 3 WAY SWITCH BUTTONS

Technical Specifications:

Operating Pressure:

Min: 140kPa(1.4bar)

Max: 860kPa/8.6bar

*The bset: 150kPa/1.4 bar-550kPa/5.5bar

Recommended installation of pressure limiting valve if supply exceeds 500kPa(5bar)

Operating Temperature.

Hot: Max 80°C

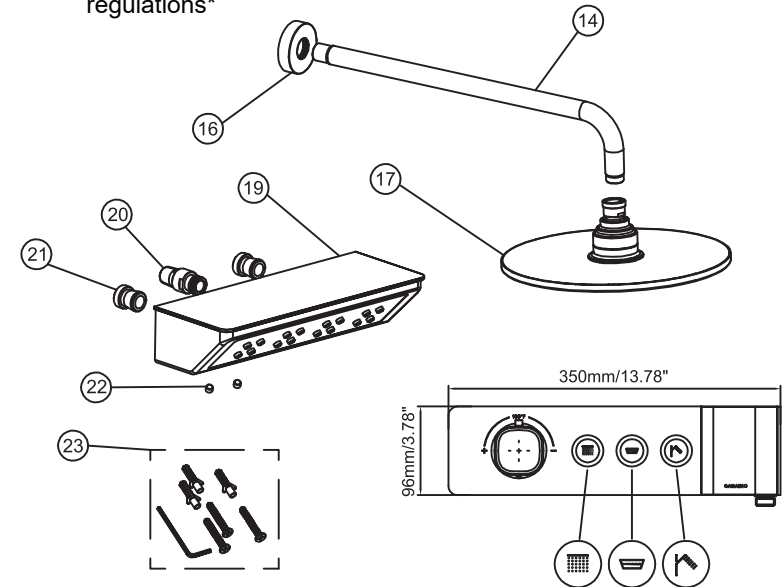
Cold: Min 5°C

nlet Connections:

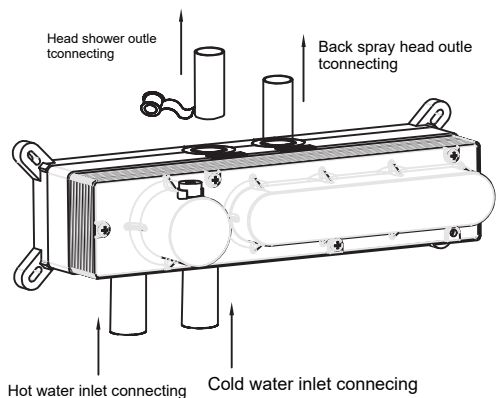
1/2-14NPT

NOTE:

-After installation all connections must be checked for leaks. All installations must be carried out in compliance with relevant water regulations*

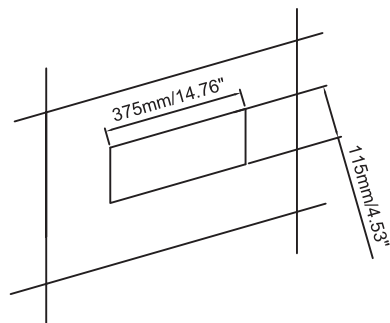


1.



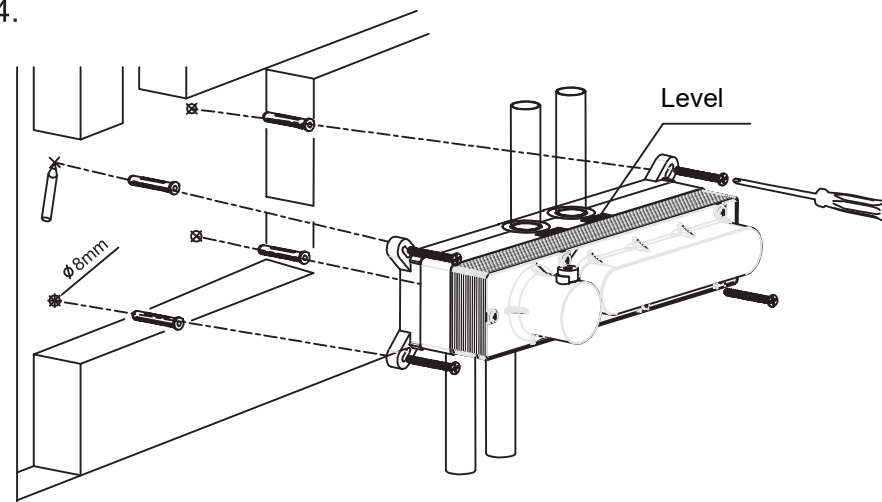
Pre-flushing the two water inlet pipes to clean up the mud and sand, connecting the water inlet and outlet pipes as shown in the picture, seal the connectors on the water inlet and outlet pipes with proper length.
Caution: Left for hot water inlet and right for cold water, otherwise the mixer will loose the thermostatic function and may cause the scald!

2.



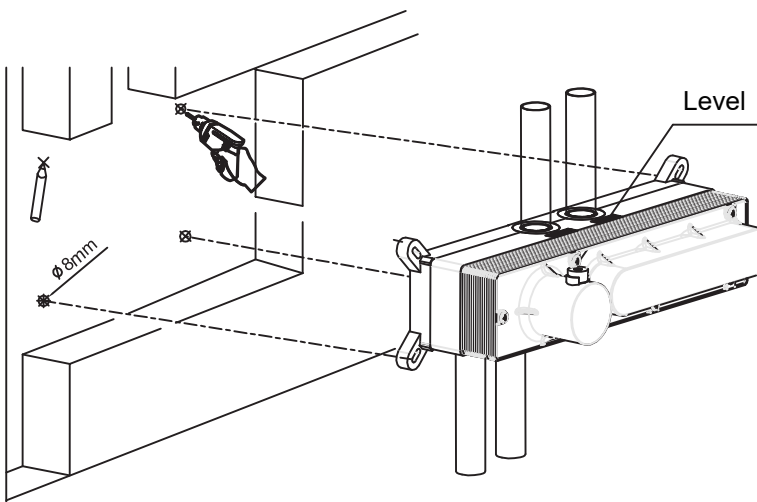
Line and slot the wall with spare part No. ⑩

4.



Plug the expansion sleeve into the $\varnothing 8\text{mm}$ /0.315" hole, fix the concealed box slightly on the wall with self-tapping screws, and tighten the screws after checking the alignment of box with the gradienter.

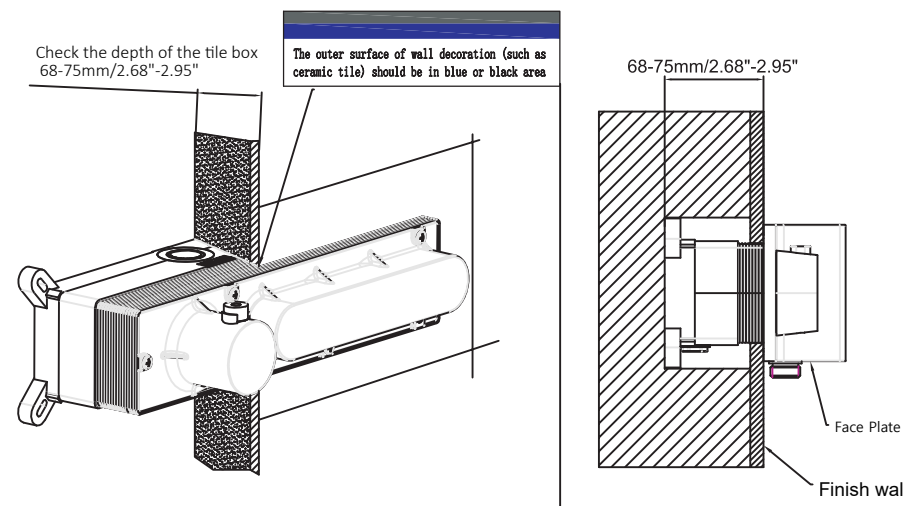
3.



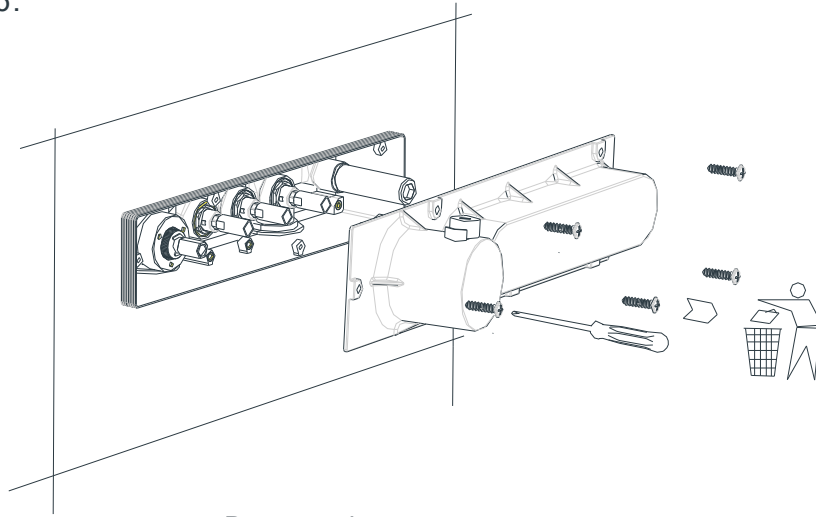
Be notice that the depth of slot must be controled between 68-75mm/2.68"-2.95" (including the thickness of the porcelain tile). use the gradienter on concealed box to correct the installation. Mark the location through the concealed box, and dri 4 holes with dimension $\varnothing 8\text{mm}$ /0.315".

3

5.

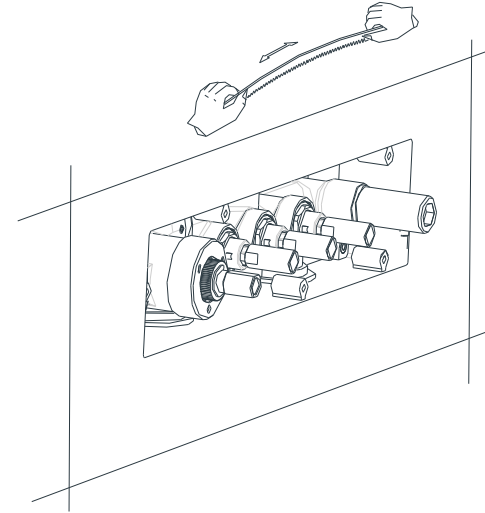


6.



Demount the cover.

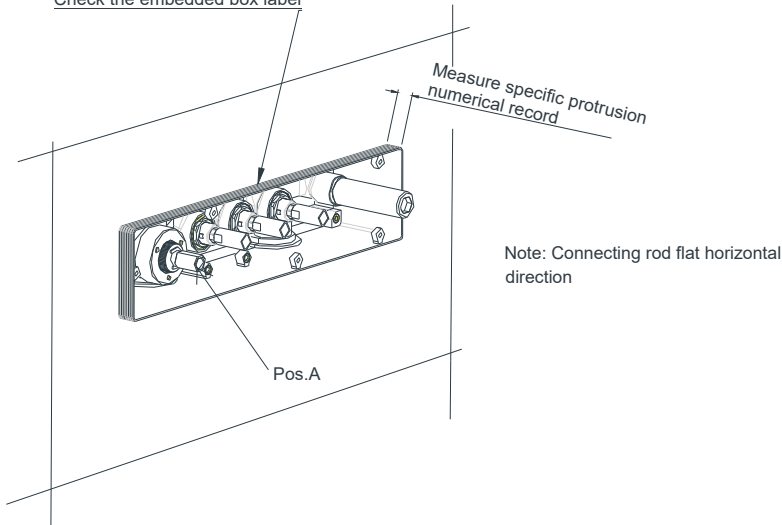
8.



Use a saw to cut the protruding part of concealed box, then trim with a small knife until smooth with the porcelain tile. (Be careful not to hurt your hands or and product)

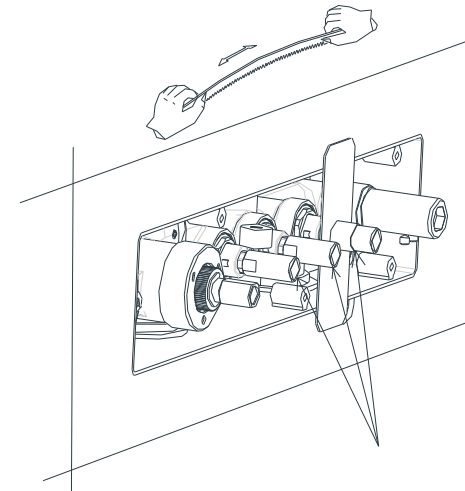
7. 1.If value is 18.3-21.4mm/0.72"-0.84",pos.A no need to move
 2.If value is 21.4-25.3mm/0.84"-1",exchange pos. A to spare part • •

Check the embedded box label



5

9.

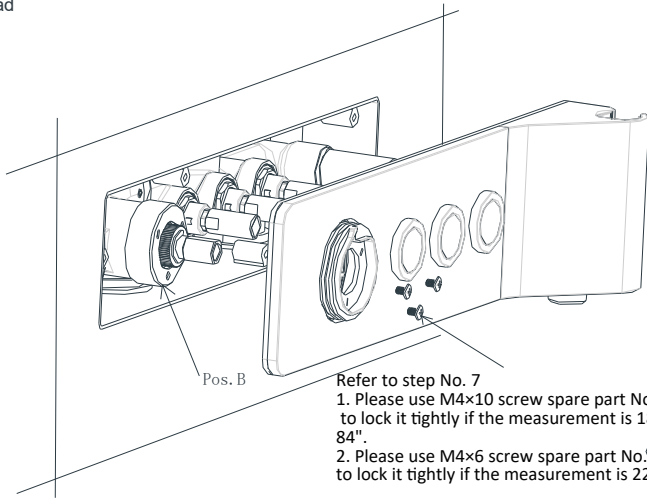


Before cutting the plastic valve core, press the valve button to the closed position.

Put No.③ into the 3 plastic rods separately and cut off the protruding part by saw.(Be careful not to hurt your hands or and product)

6

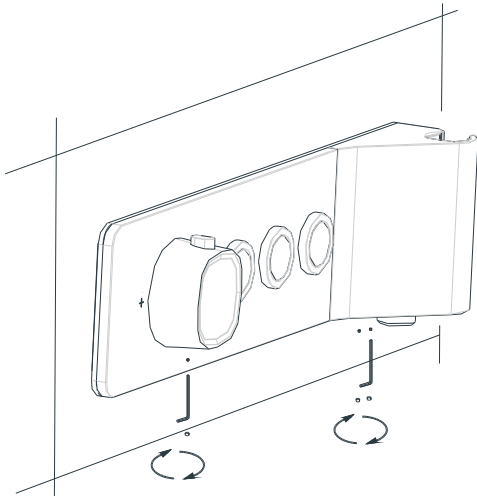
10. Attach the face panel to the wall and lock the wall with fitting screws to the positive thread



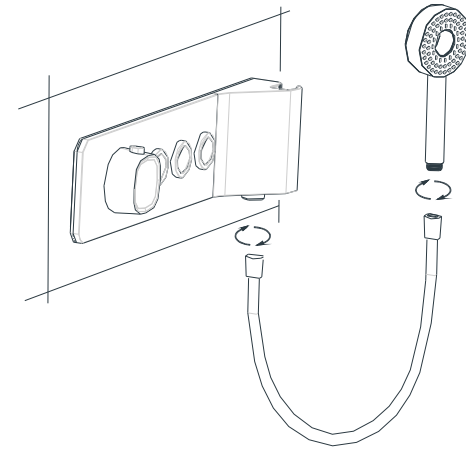
Refer to step No. 7
 1. Please use M4×10 screw spare part No. ⑥ to lock it tightly if the measurement is 18.30-22.40mm/0.72"-0.84".
 2. Please use M4×6 screw spare part No. ⑧ to lock it tightly if the measurement is 22.40-25.30mm/0.84"-1".

***Note: If the screw length cannot be locked during installation, the nut fit at B can be adjusted.**

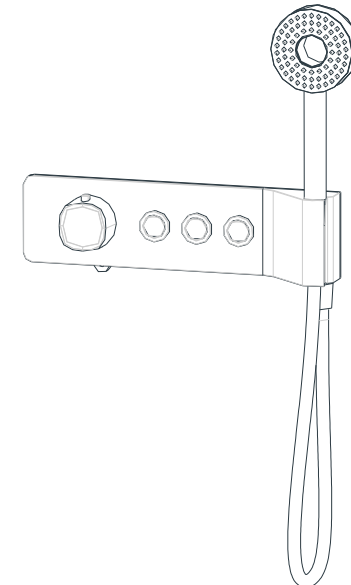
11. Install the temperature control knob exactly how it is shown in the image below. Secure the knob by using an Allen wrench to tighten the setscrew.



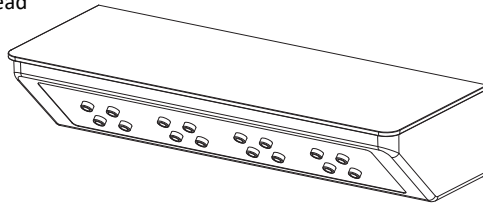
12. Connect the hand shower and hose.



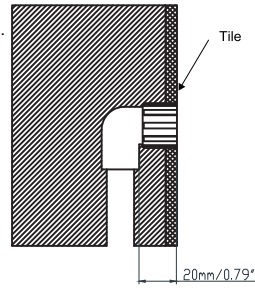
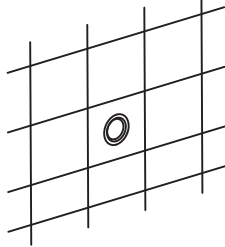
13. Valve trim panel, knob and hand shower installation finished.



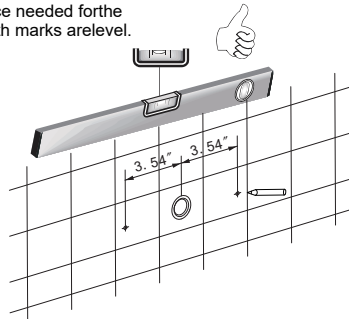
14. Install the back spray head



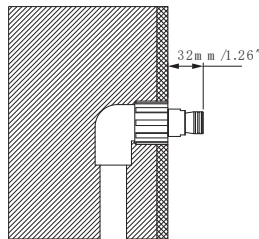
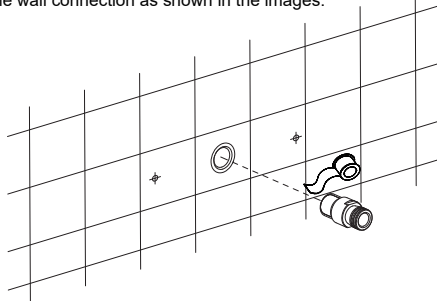
When piping the valve body, ensure that the connection
15. for the back spray head piping is installed as shown in the images.



16. After verifying the center of the water outlet and distance needed for the mounting adapters mark the locations ensuring that both marks are level.

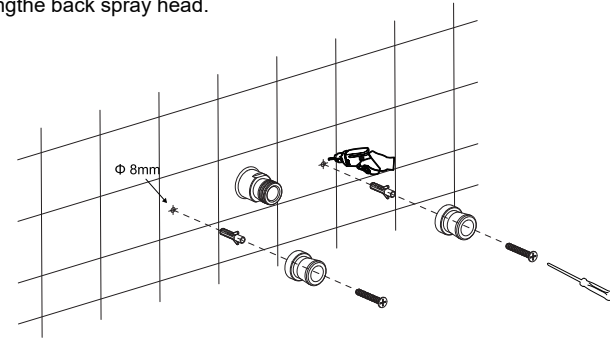


17. Wrap the threads of the back spray head outlet connector and screw it into the wall connection as shown in the images.

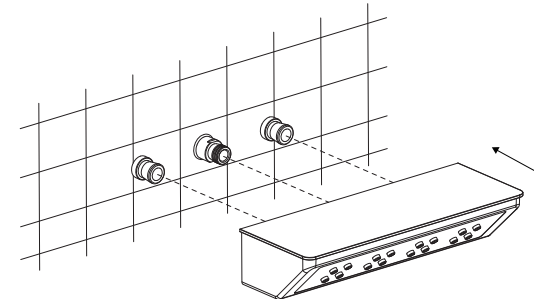


Drill out the two marks and secure the mounting adapters to the finish wall.

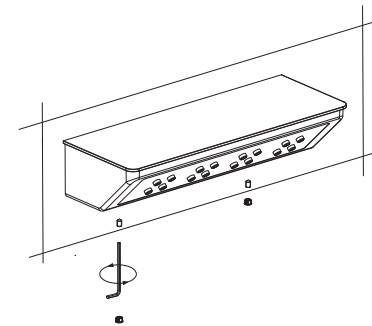
18. NOTE: If the adapters are not level across you will have a difficult time installing the back spray head.



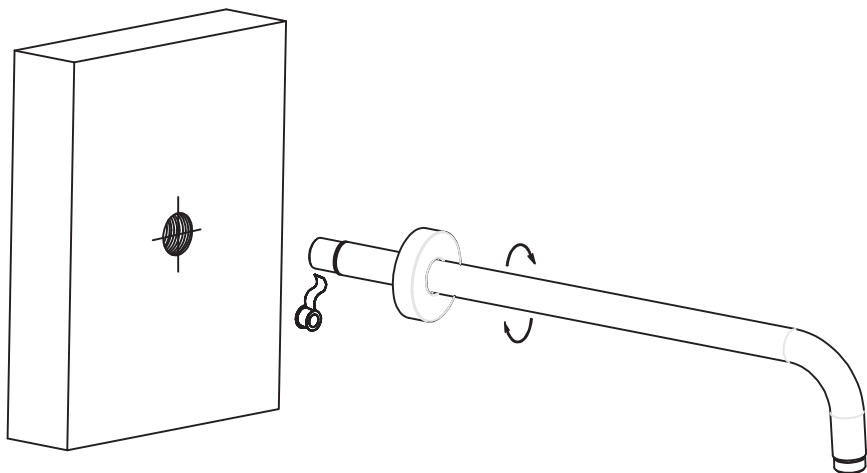
19. Install the back spray head onto the outlet connector and mounting adapters.



20. Tighten the two M5 screws to secure the back spray head



21. Wrap the threads of the shower head arm with teflon tape and screw it into the wall connection as shown in the images.



22. Wrap the threads on the opposite side of the shower arm and screw the shower head onto the arm. Shower head installation finished.

