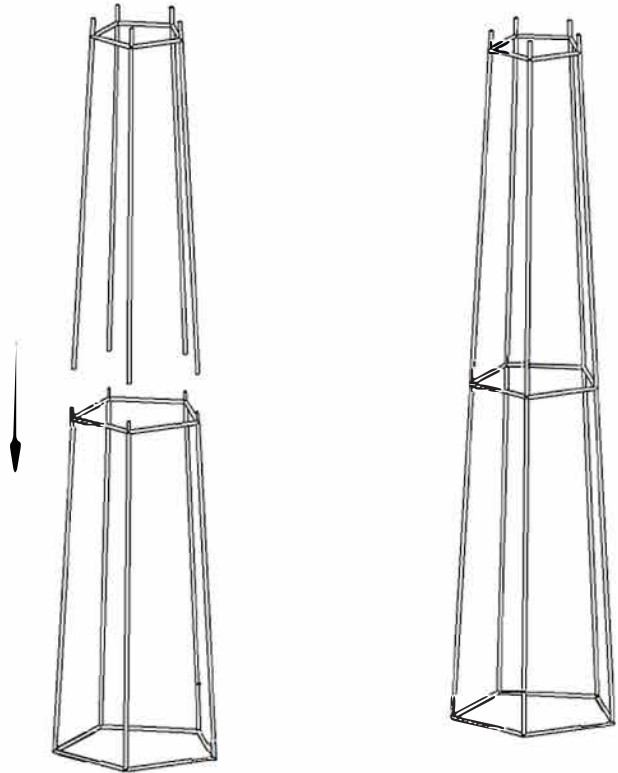
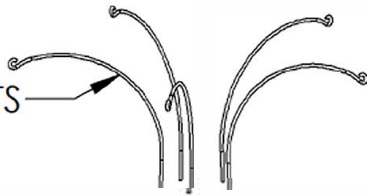


ASSEMBLY INSTRUCTIONS

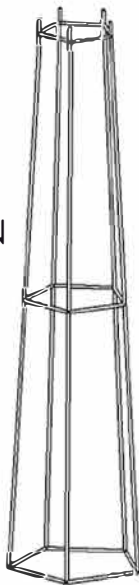
1) SLIDE THE MIDSECTION ONTO THE BOTTOM MAKING SURE ALL 5 TUBES ARE IN LINE



ARCH SUPPORTS



2) SLIDE EACH OF THE 5 ARCH SUPPORTS ONTO THE MIDSECTION



3) SLIDE ONE RING QUARTER INTO AN ARCH SUPPORT, REPEAT WITH ALL QUARTERS CONNECTING THEM TOGETHER AS YOU GO.

RING QUARTERS

