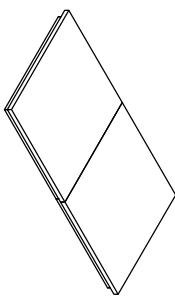
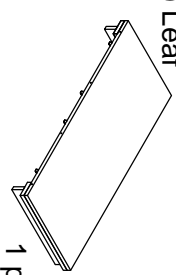
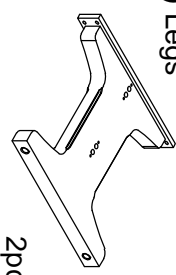
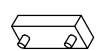
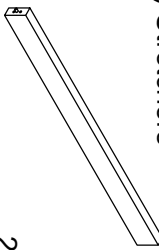


THE BEST QUALITY FURNITURE
ASSEMBLY INSTRUCTIONS

Description : DINING TABLE
Item No: D160-DTT / D160-DTB

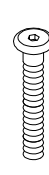
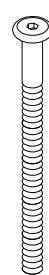


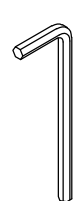
LIST OF PARTS

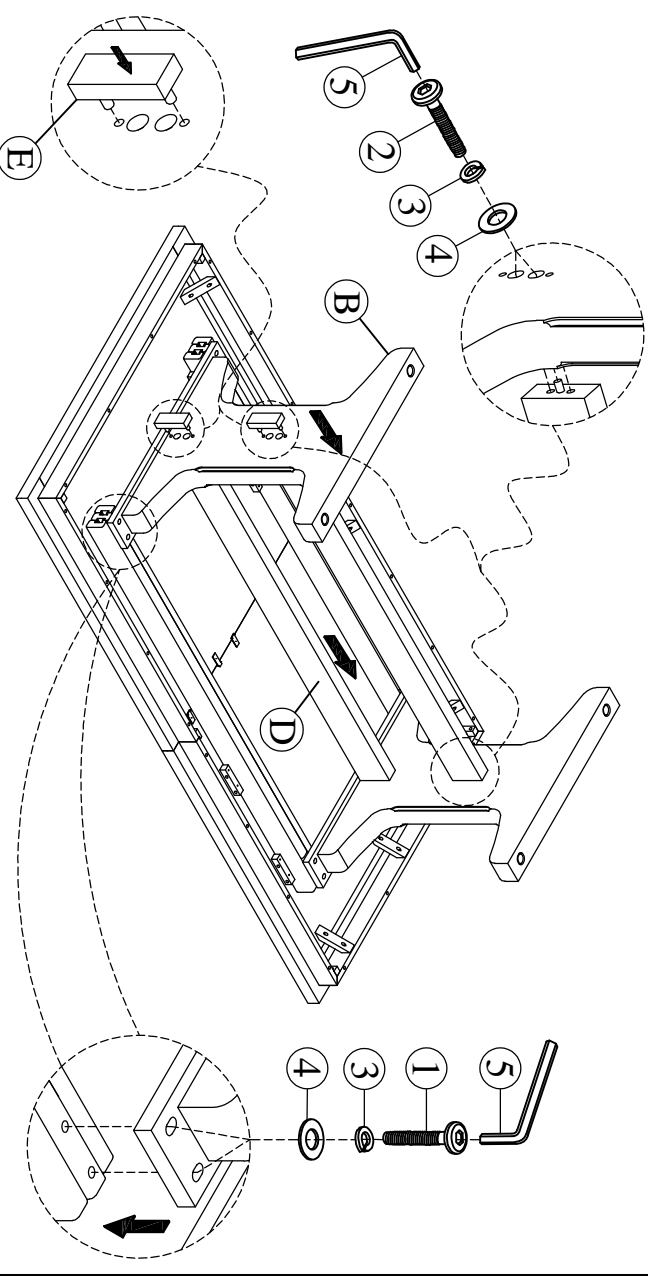
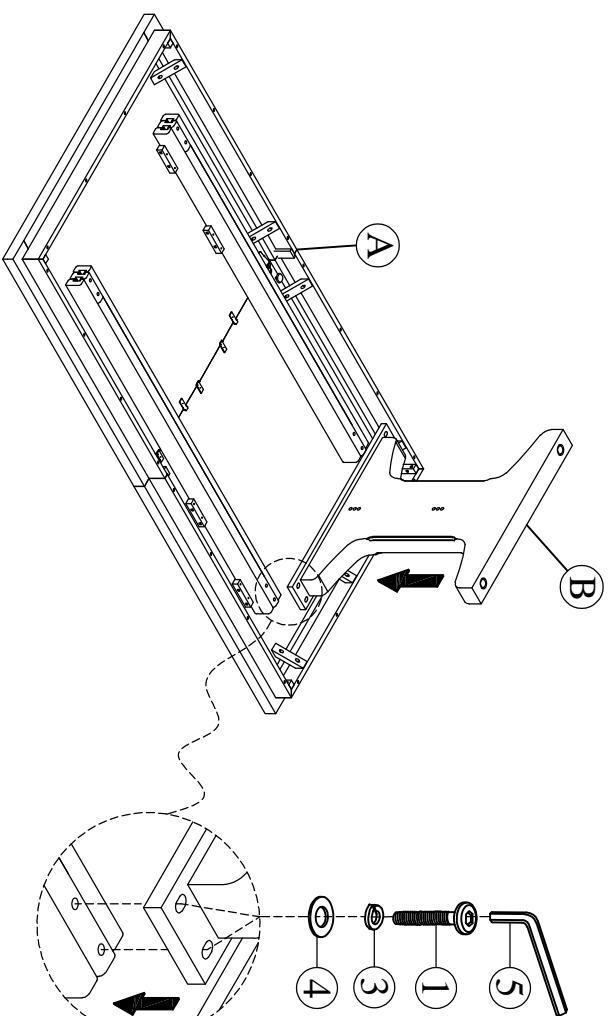
Step.1

(A) Table Top  1pc	(C) Leaf  1 pc
(B) Legs  2pcs	(E) Button  4pcs
(D) Stretchers  2pcs	

LIST OF HARDWARE

Step.2

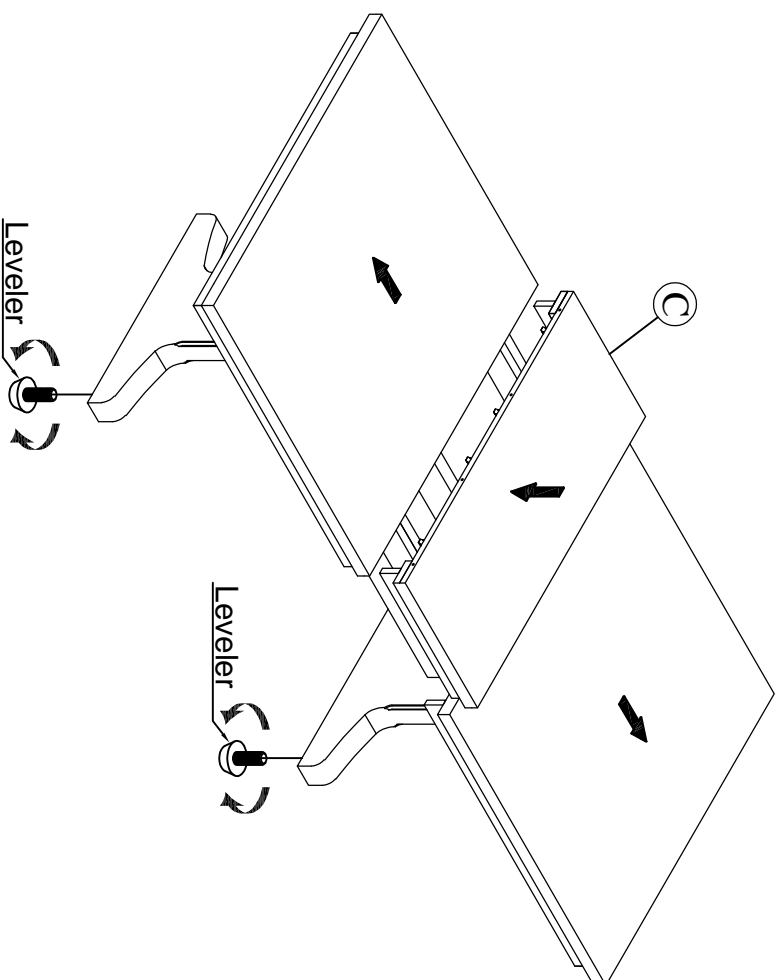
1. Short Bolt  5/16" x 40mm (8pcs)	2. Long Bolt  5/16" x 80mm (8pcs)
3. Spring Washer  5/16" (16pcs)	4. Flat Washer  5/16" (16pcs)
5. Allen Key  1pc	



THE BEST QUALITY FURNITURE
ASSEMBLY INSTRUCTIONS

Description : DINING TABLE
Item No: D160-DTT / D160-DTB

Step.3



Completed

