

IMPORTANT!! PLEASE READ ENTIRE
INSTRUCTION SHEET BEFORE ASSEMBLY!!

9' Round Solar Lighted Umbrella



Read the instructions and precautions before use of this product

Please keep this instruction manual for future reference

For warranty information, please refer to the back page of
this instruction manual.

Care Instructions

Clean any dirt and debris from the solar panels, the panels cannot recharge if the light is obstructed. Use a soft cloth to clean the panels. Do not use abrasives or chemicals that might scratch or damage the UV coating.

Recycling

Please dispose of batteries properly. Consult your local telephone listing for a battery recycling center in your area.



Ambient temperature
maximal 40°C (105°F)
Max 40°C



Do not dispose of
batteries in
household waste



Do not throw
batteries into water!



Protect batteries
against heat and fire
risk of explosion



Recycling

Warranty

1 (ONE) YEAR WARRANTY .

WHAT IS COVERED

We warrant the frame to be free of manufacturing defects to the original purchaser for 1 years,

WHAT IS NOT COVERED

It remains the customer's responsibility for freight and packaging charges to and from our service center.

This warranty does not cover commercial use, hardware, acts of nature, fire, freezing and abusive use.

This limited warranty does not apply to accessory or consumable items, including batteries, related to this product.

Discoloration or fading of the finish or fabrics as a result of chemicals or spills is not covered.

Glass table top breakage and corrosion or rusting of hardware are not covered.

In addition, purchase parts are not covered under this warranty.

Warranty (continued)

Proof of purchase (dated register receipt) is required for warranty claims.

We reserve the right to make substitutions with similar merchandise, if the model in question is no longer in production.

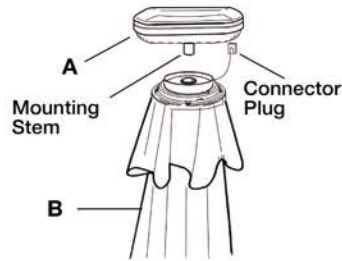
For a copy of our full limited warranty, please contact our customer service team below.

1

(See Illustration) Position battery compartment (A) at top of umbrella (B).

Insert connector plug attached to umbrella into receptacle located on battery compartment.

Insert battery compartment stem into top of umbrella. Turn battery compartment clockwise to lock and secure.



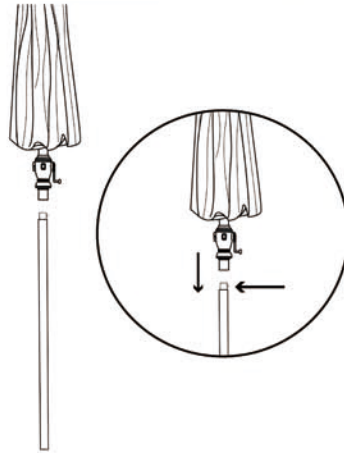
 Solar Panel receives charge from sunlight.

2

Secure the top pole (A) to the bottom pole (B).



CAUTION: The Umbrella ribs may compress during shipping. Before opening the umbrella turn it upside down and shake it gently to separate ribs.

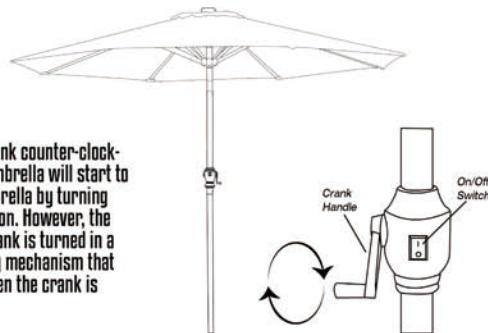


3

Slowly turn the crank clockwise taking up the slack of the cord.



CAUTION: If you continue to turn the crank counter-clockwise after the umbrella is closed, the umbrella will start to open again it is possible to open the umbrella by turning the crank in a counter-clockwise direction. However, the umbrella will not stay open when the crank is turned in a counter-clockwise direction. The locking mechanism that keeps the umbrella open only works when the crank is turned in a clockwise direction



4

Press the button as shown to tilt the umbrella to the perfect position.



5

To turn LED lights on, switch the ON/OFF button located on the crank housing to the ON (I) position.



CAUTION: The LED lights do not turn off automatically. Always turn the lights off when not in use.

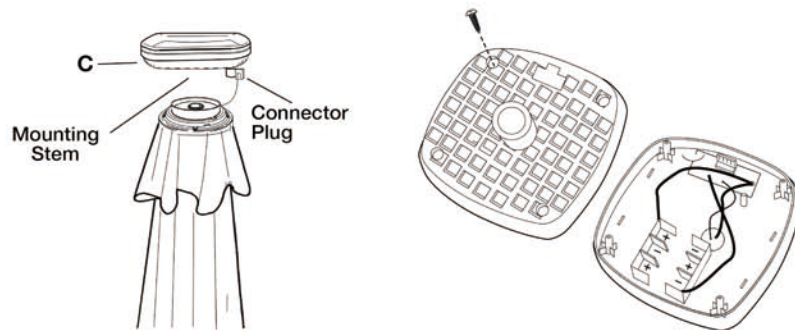


6

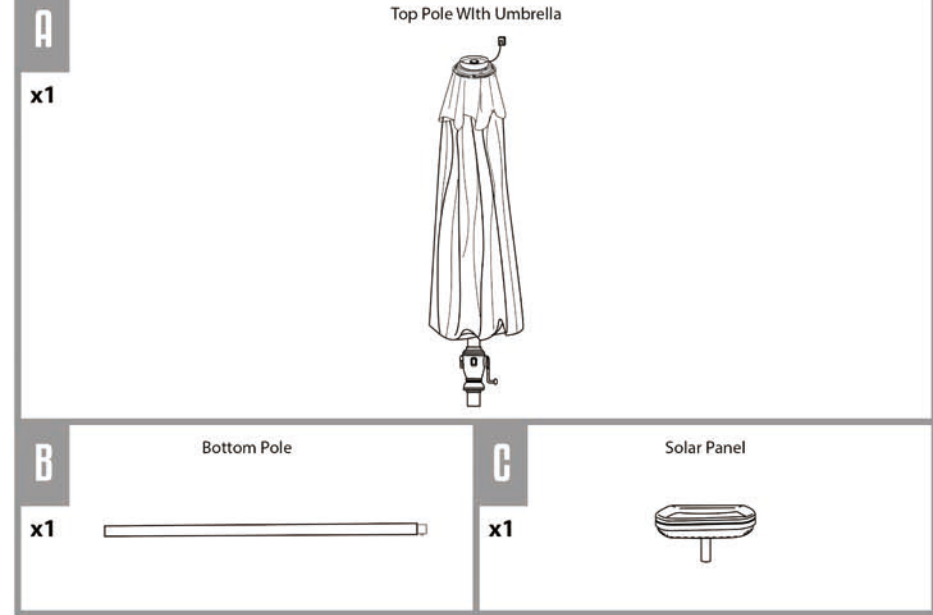
Battery Replacement

The rechargeable batteries come preinstalled from the factory. The batteries are located inside the battery compartment.

1. (See Illustration) Remove battery compartment (C) from top of umbrella, turn counter-clockwise to unlock and separate.
2. Carefully unplug connector plug from battery compartment receptacle.
3. Remove and retain the four small screws from the cover and remove the cover.
4. Remove and replace old batteries with new rechargeable batteries of the same rating.
5. Install new batteries in proper direction, reference polarity (+/-) markings for correct placement.
6. Replace the battery cover and secure with four screws retained.
7. Insert the umbrella connector plug into receptacle located on the bottom of the battery compartment.
8. Insert the solar panel back into the top of the umbrella.
9. Turn the solar panel clockwise to lock and secure.



Package Contents



General Safety

- Never leave children unsupervised with the packaging material. There is a risk of suffocation.
- Improper use of this item may result in physical harm.
- Ensure that the article is properly stable before use.
- Examine the item for damage or wear before each use.
- Close and store the umbrella when not in use.
- Always securely fasten the umbrella into an umbrella base.
- DO NOT use the product in windy conditions. Excessive wind can cause damage to the product or danger to people.
- The light source of this luminaire is not replaceable. When the light source reaches its end of life the whole luminaire shall be replaced.
- The battery must be removed from the appliance before its scrapped.
- The battery is to be disposed of safely.