
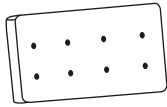
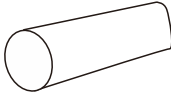

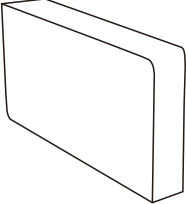
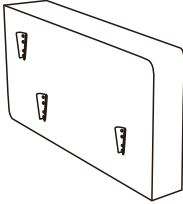
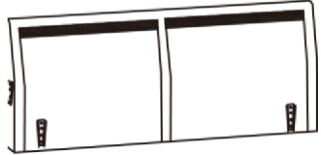


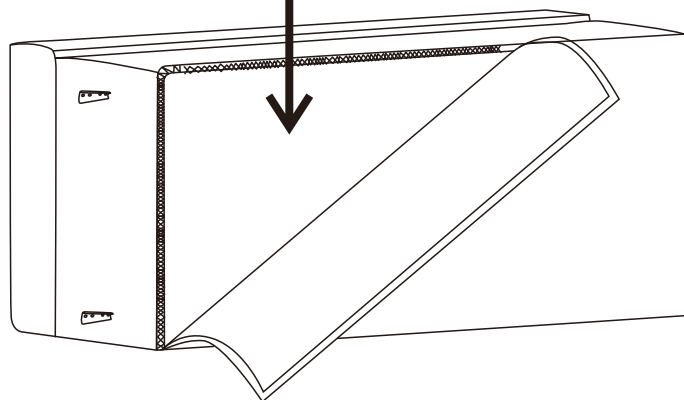
ASSEMBLY INSTRUCTIONS

Parts and Hardware

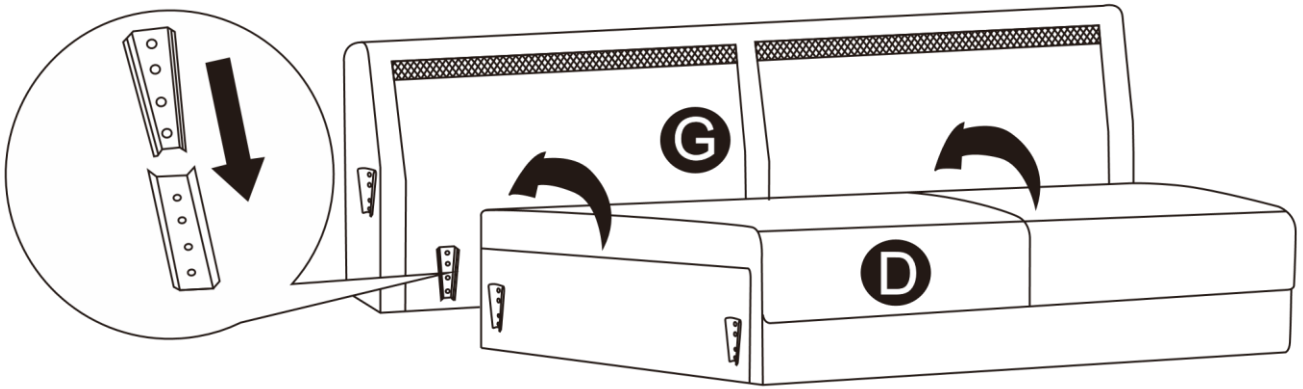
 <p>A: Leg*5</p>	 <p>B: cushion*2</p>	 <p>C: Pillow*2</p>	 <p>D: Sofa Body*1</p>
 <p>E: Left Arm*1</p>	 <p>F: Right Arm*1</p>	 <p>G: Backrest*1</p>	

Step 1

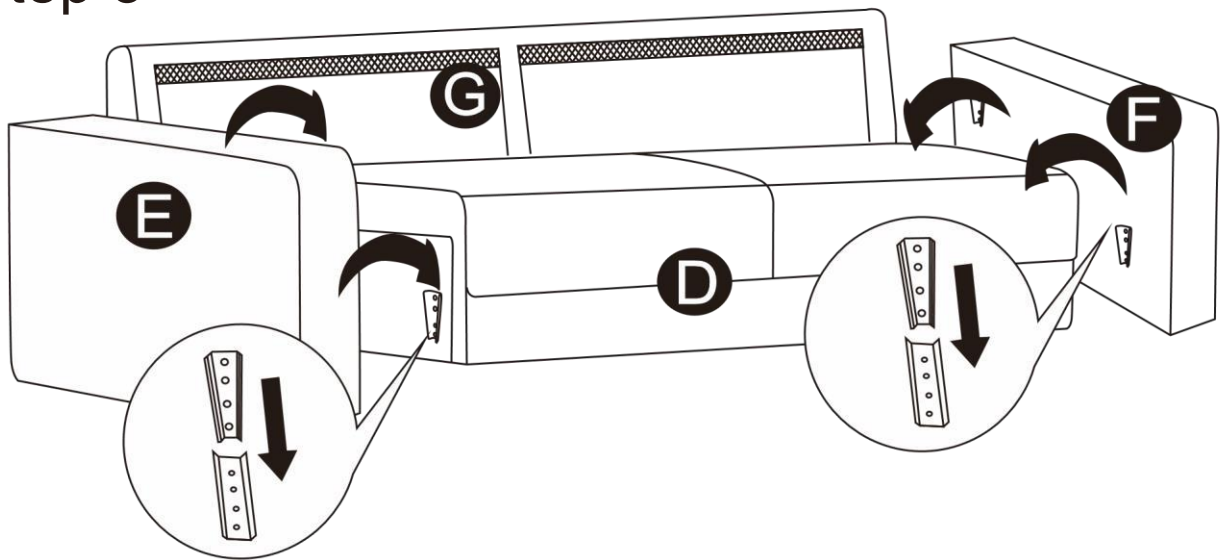
Parts inside



Step 2



Step 3



Step 4

