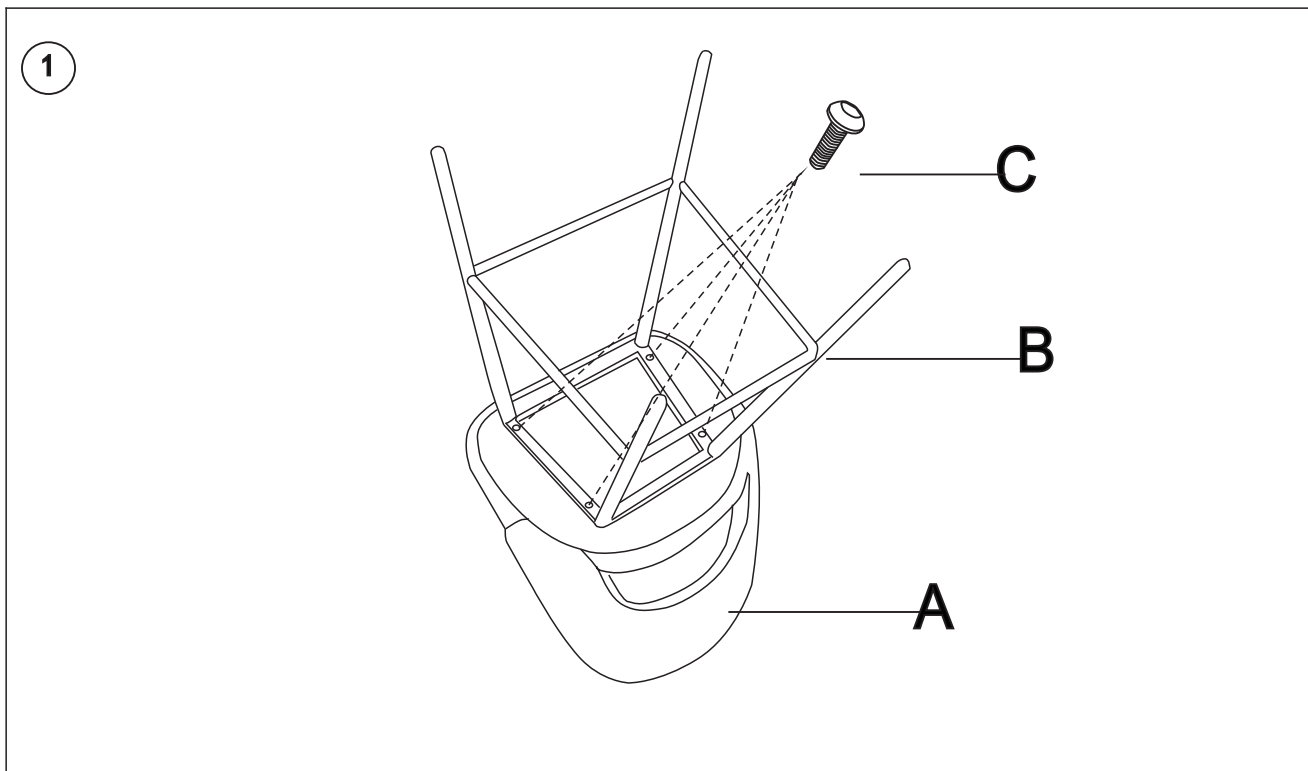
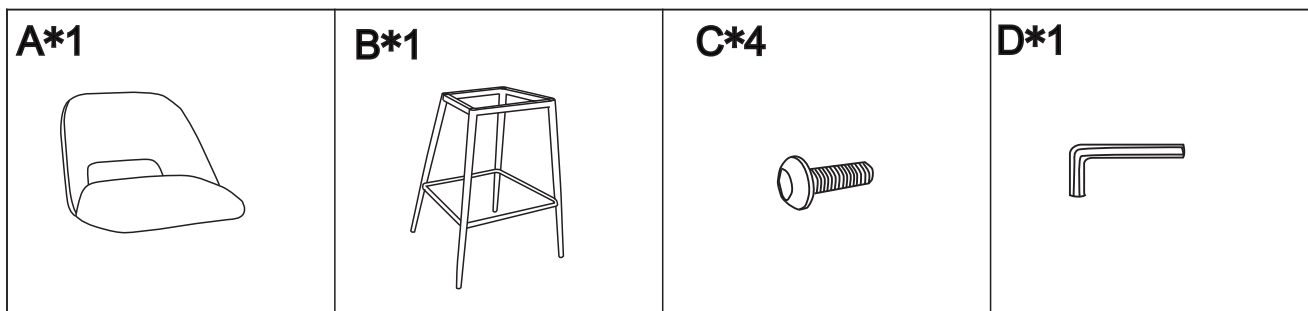


# ASSEMBLY INSTRUCTION



**Step I. Turn the seat upside down and put the base on it.**

**Align the holes in the seat with the holes in the base**

**Step II. Use screws to connect the seat and the base, do not fully tighten at this stage.**

**After all parts in right position, fully tighten up all screws.**