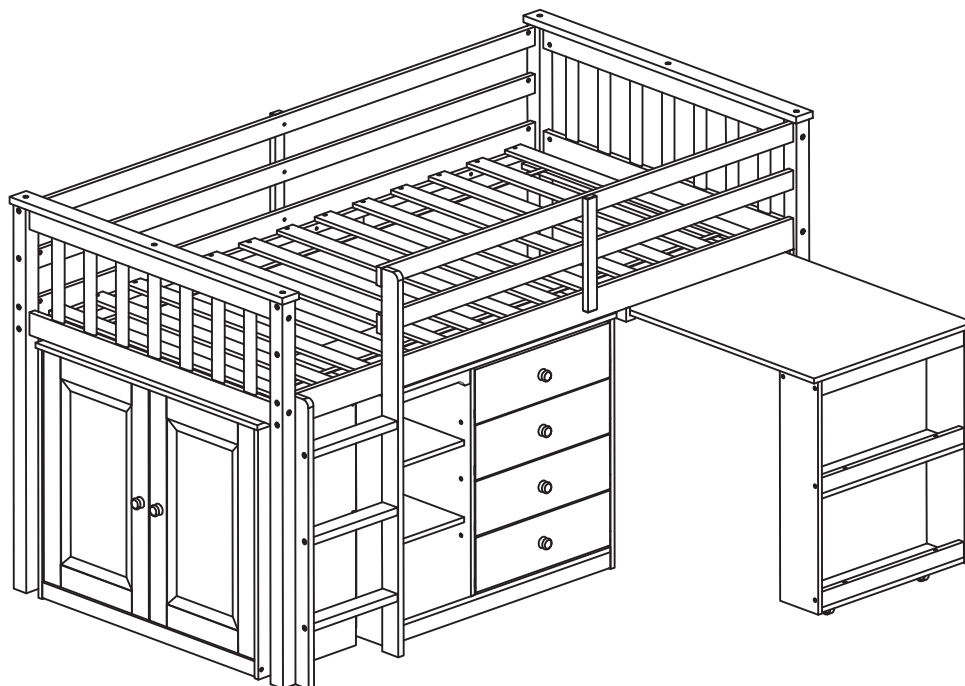
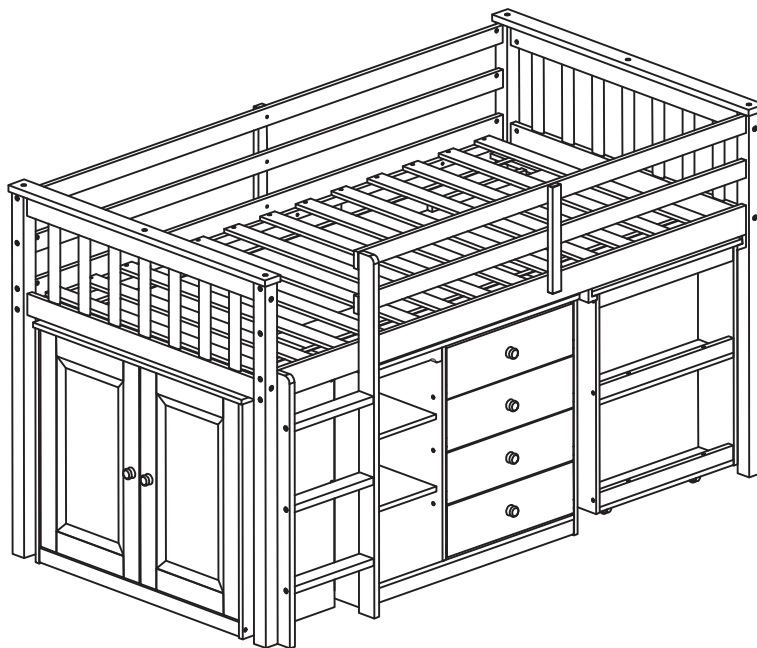


ASSEMBLY INSTRUCTIONS

Twin Low Loft Bed with Cabinet, 4-Drawer Chest and Desk





SAFETY WARNING



1. This bed is designed for use only mattress (es) meeting the following specifications on the upper bunk, and lower bunk:

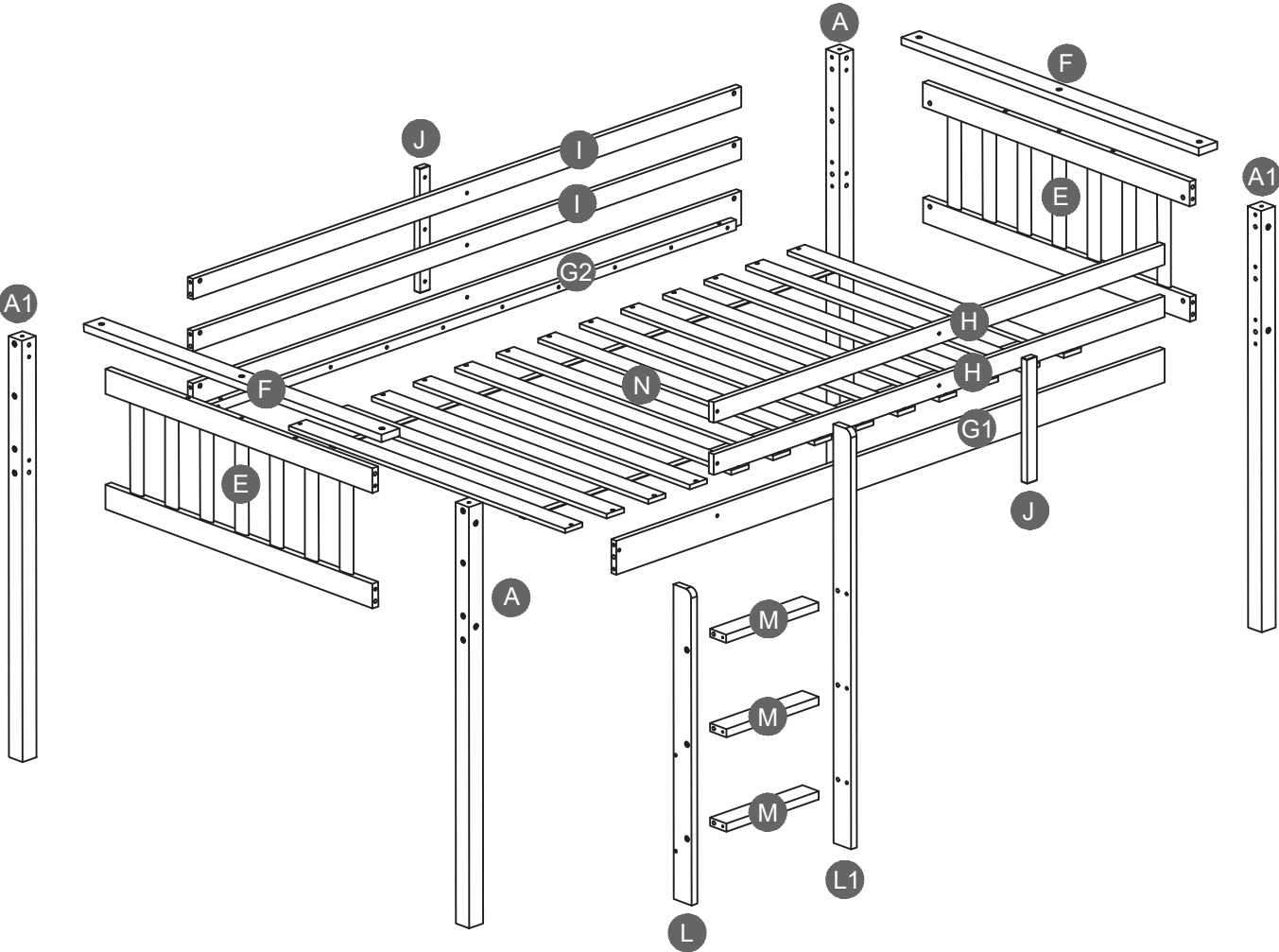
Up bed (Bunk bed and tribed included)

Bed type	Length	With	Thickness
Twin Standard	74"-75"	38 1/2"	6" max

2. Replacement parts, including additional guardrails, maybe obtained from any of our dealers.
3. Follow the information on the warnings appearing on the upper bunk bed end structure and on the carton. Do not remove warning label from bed.
4. Always use the recommended size mattresses or mattress supports, or both, to help prevent the likelihood of entrapment or falls.
5. Surface of mattress must be at least 5" (127mm) below the upper edge of guardrails.
6. Do not allow children under 6 years of age to use the upper bunk.
7. Periodically check and ensure that the guardrail, ladder, and other components are in their proper position, free from damage, and that all connectors are tight.
8. Do not allow horseplay on or under the bed and prohibit jumping on the bed.
9. Always use the ladder for entering and leaving the upper bunk.
10. Do not use substitute part. Contact the manufacture or dealer for replacement part.
11. Use of a night light may provide added safety precaution for a child using the upper bunk.
12. Always use guardrails on both long sides of the upper bunk. If the bunk bed will be placed next to the wall, the guardrail that runs the full length of the bed should be placed against the wall to prevent entrapment between the bed and wall.
13. The use of water or sleep flotation mattresses is prohibited.
14. STRANGULATION HAZARD - Never attach or hang items to any part of the bunk bed that are not designed for use with the bed; for example, but not limited to, hook, belts and jump ropes.
15. Keep these instruction for future reference.

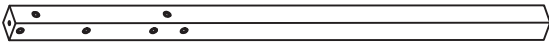
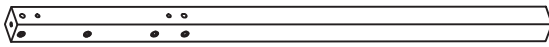
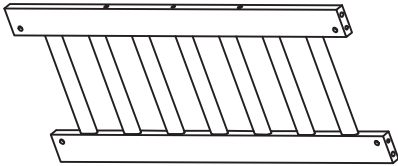


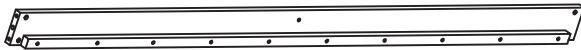
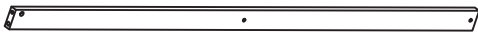

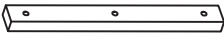

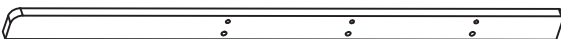
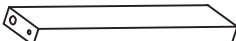
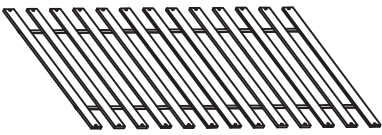
Detail View

Bed

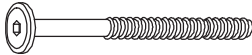
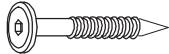

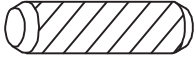


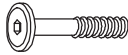





Part List (Bed)

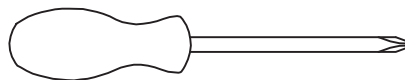
Hardware List

A  Leg - 2pcs	A1  Leg - 2pcs
E  Hb. Fb. Panel - 2pcs	F  Hb. Fb. Top Panel - 2pcs
G1  Side Rail (Front) - 1pc	G2  Side Rail (Back) - 1pc
H  Guardrail Upper (Front) - 2pcs	I  Guardrail Upper (Back) - 2pcs
J  Guardrail Spindle - 2pcs	L  Ladder Rail (Left) - 1pc
L1  Ladder Rail (Right) - 1pc	M  Ladder Step - 3pcs
N  Bed Slats - 1 Set	

Hardware List (Bed)




1  M6 x 90mm JCBC (22pcs)	2  M6 x 50mm JCBC-W (10pcs)	3  M6 x 15mm Barrel Nut (22pcs)
4  M10 x 30mm Wood Dowel (28pcs)	5  M4 x 38mm CSK Screw (2pcs)	6  M4 x 25mm CSK Screw (22pcs)
7  M6 x 30mm JCBC (6pcs)	8  M6 x 30mm JCBC-W (10pcs)	9  Sticker Cap (12pcs)
10  M4 Allen Key (1pc)		

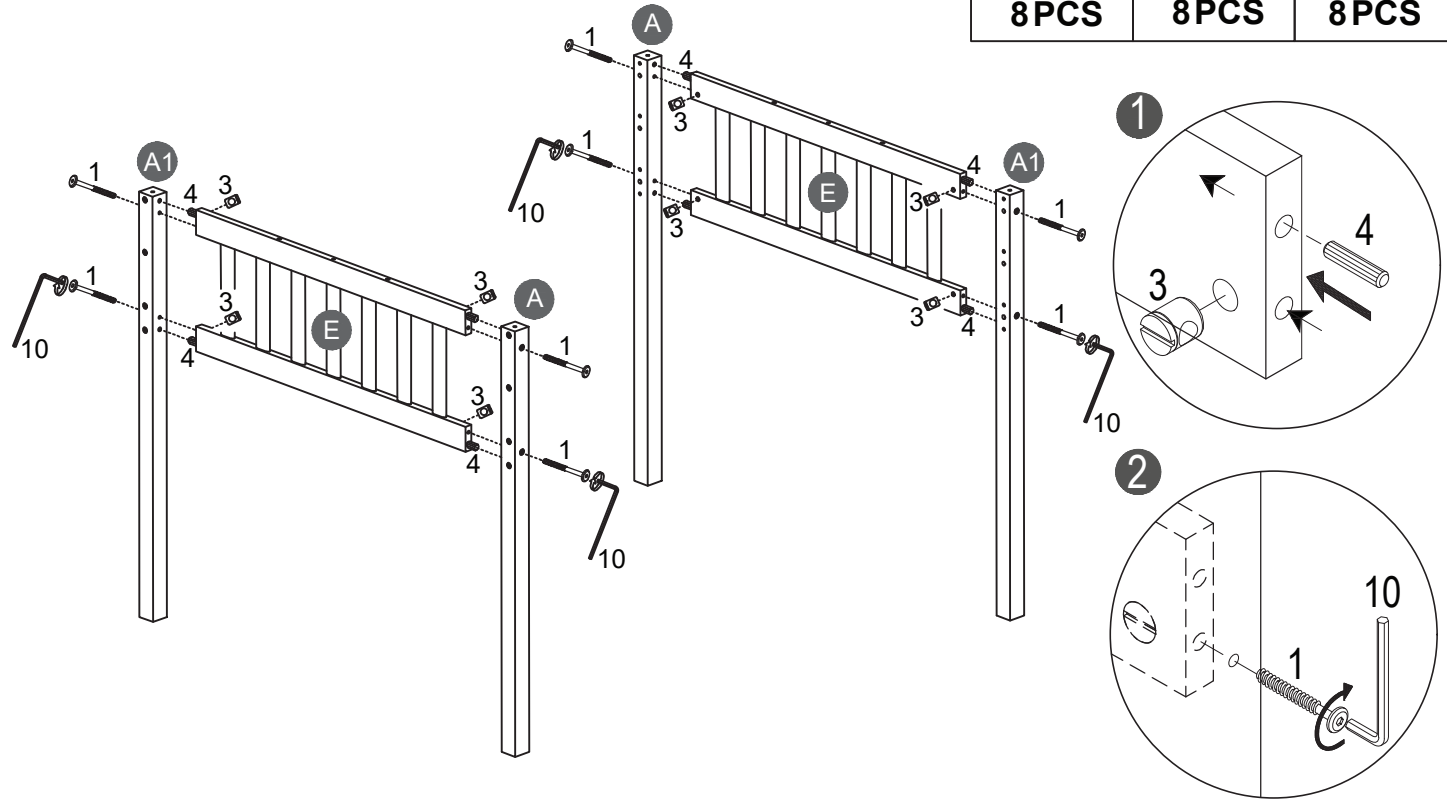
ASSEMBLY TOOLS REQUIRED (NOT INCLUDED)






PLEASE BE CAREFUL DO NOT DAMAGE THE HOLE POSITION WHEN YOU USE POWER TOOLS !

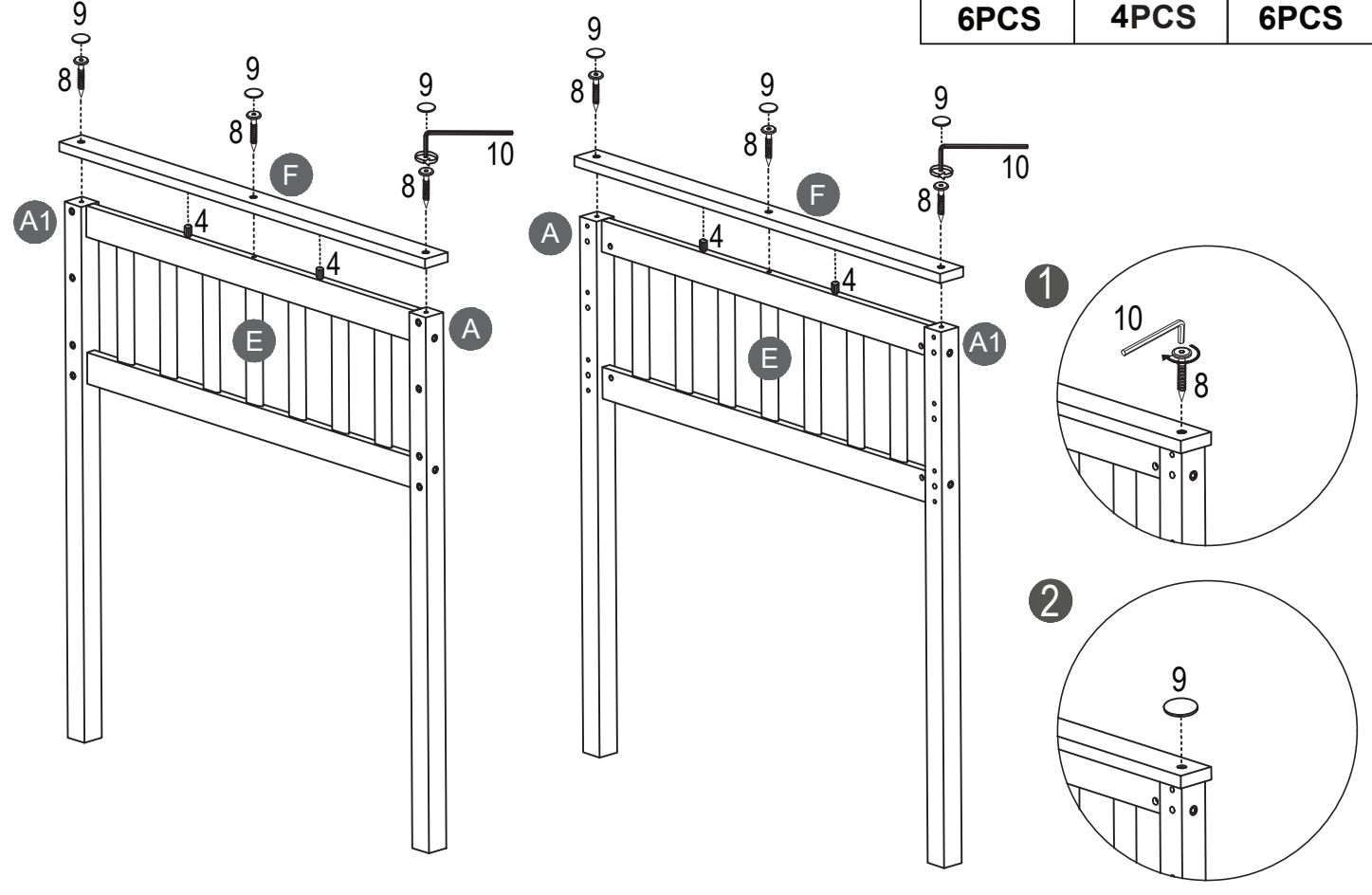
STEP 1:

1		3		4	
8PCS		8PCS		8PCS	







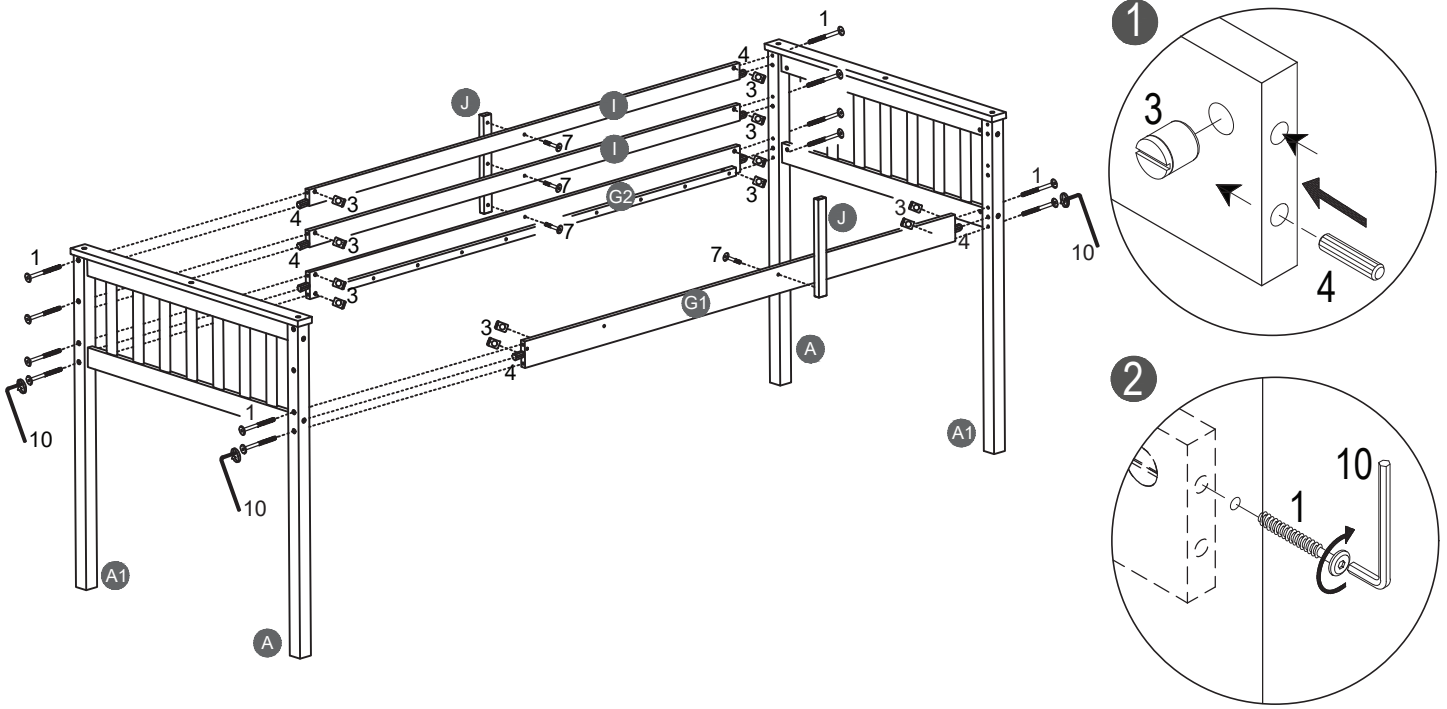
STEP 2:

8		4		9	
6PCS		4PCS		6PCS	







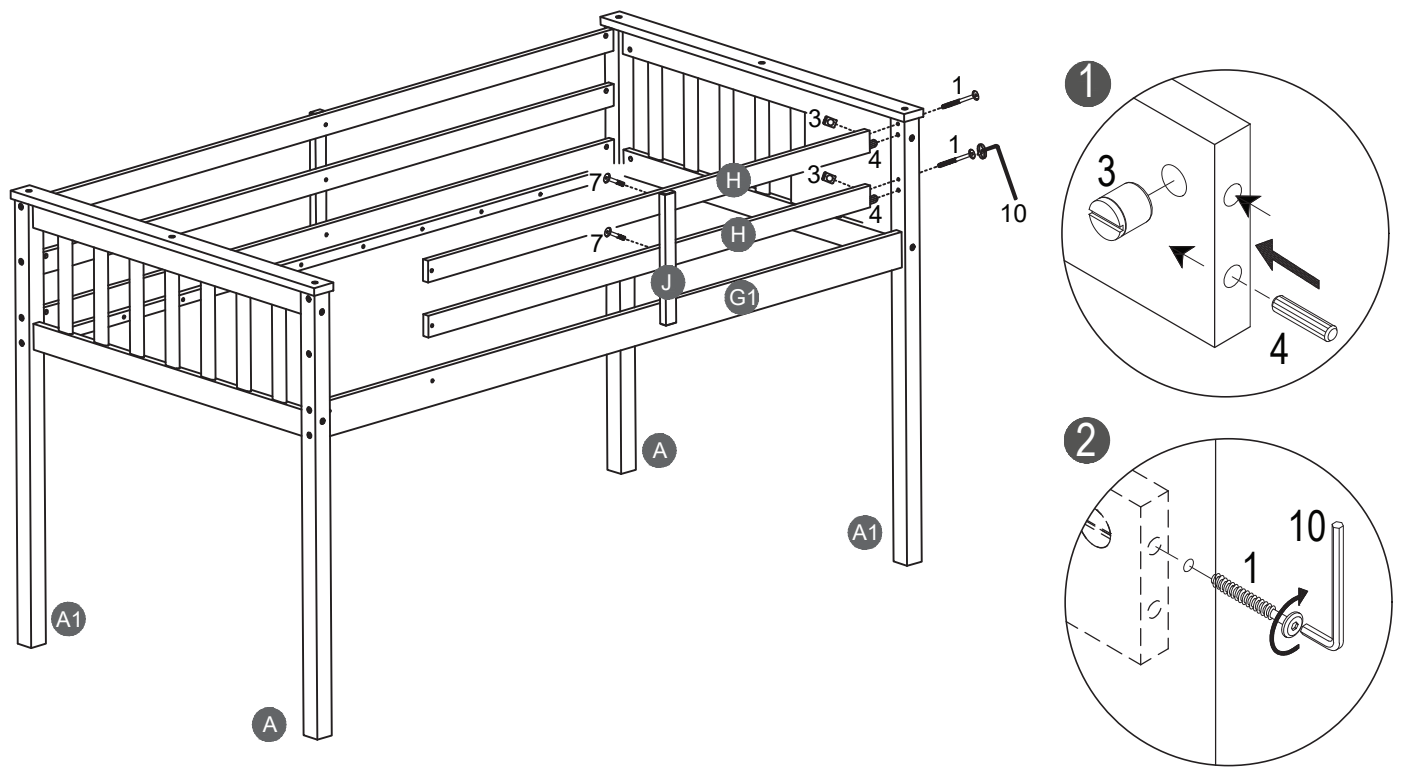
STEP 3:

1		3		4		7	
12PCS		12PCS		8PCS		4PCS	

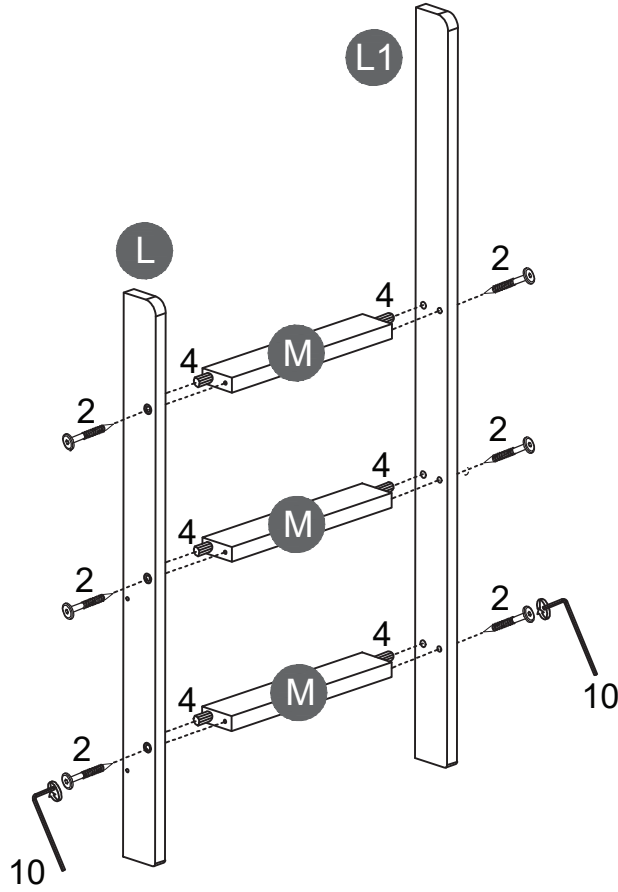


STEP 4:

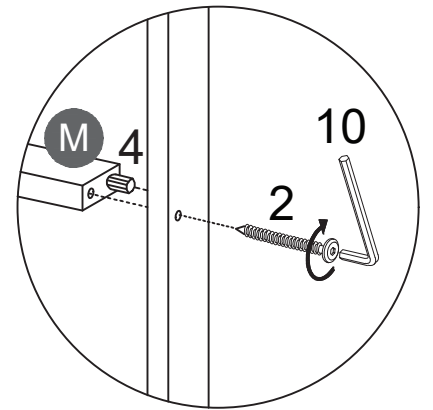
1		3		4		7	
2PCS		2PCS		2PCS		2PCS	



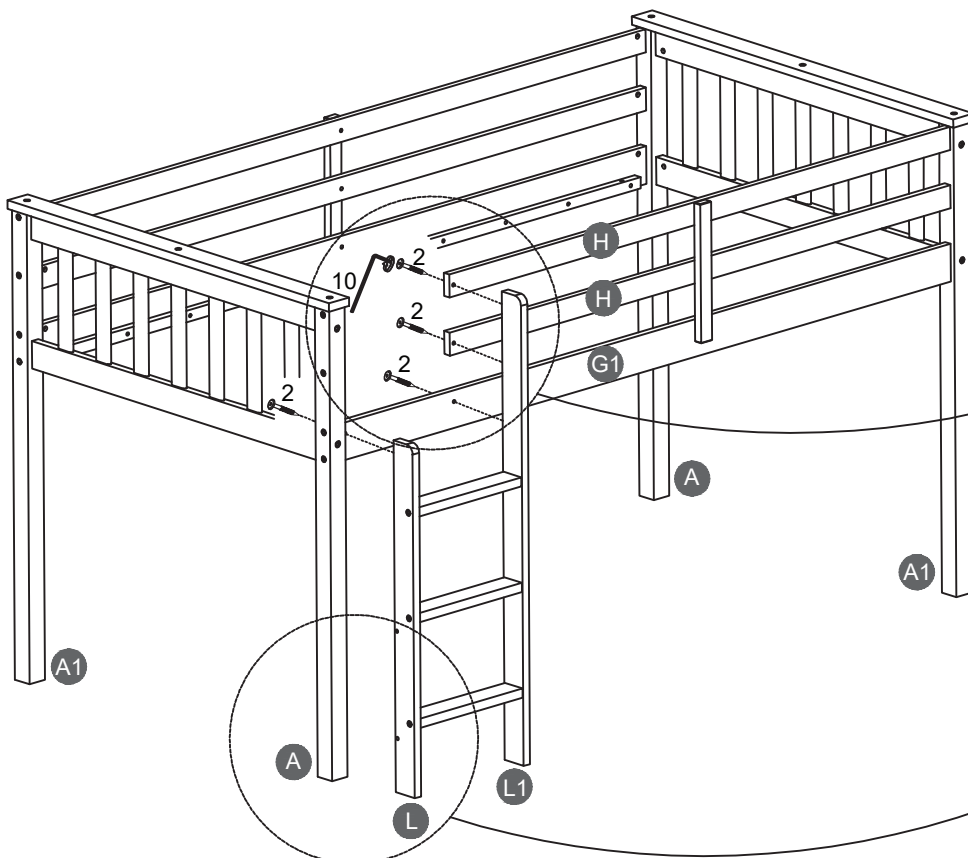
STEP 5:



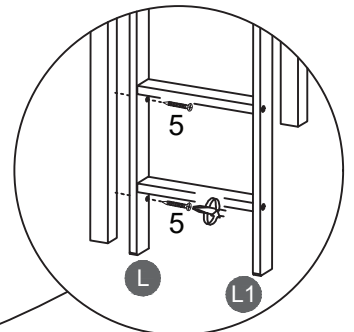
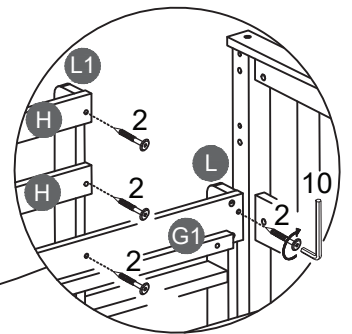
2		4	
6PCS		6PCS	



STEP 6:



2		5	
4PCS		2PCS	

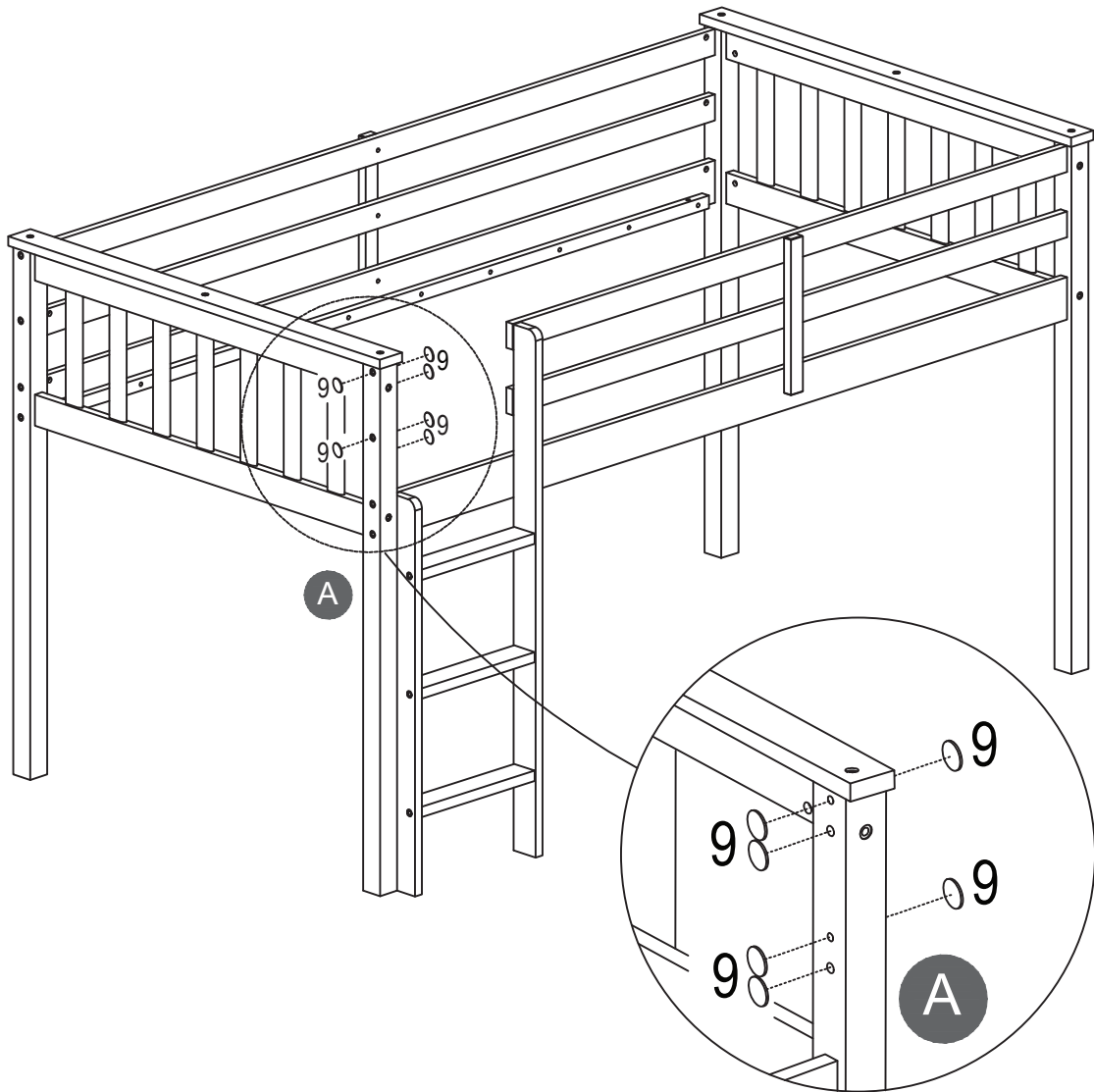


STEP 7:

9



6PCS

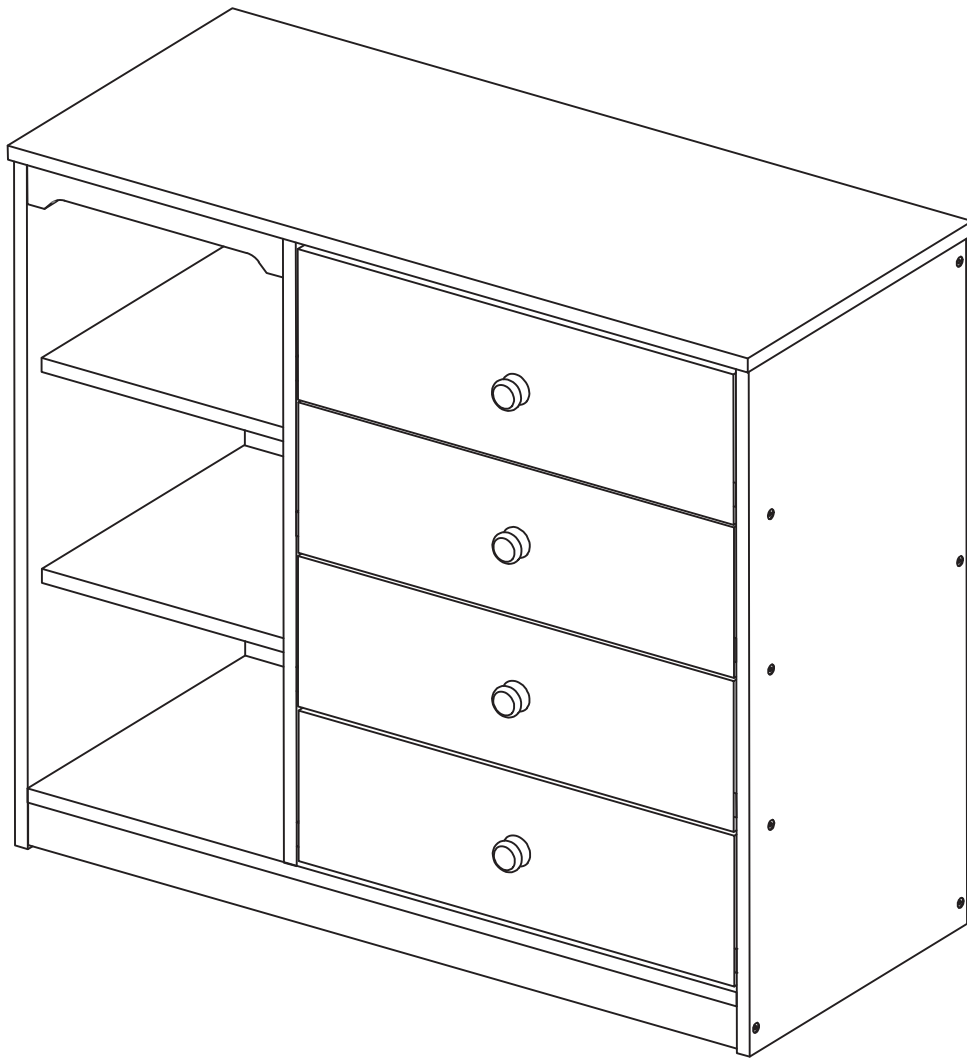


REMARKS:

Attach the Bed Slats after the Desk assembly.

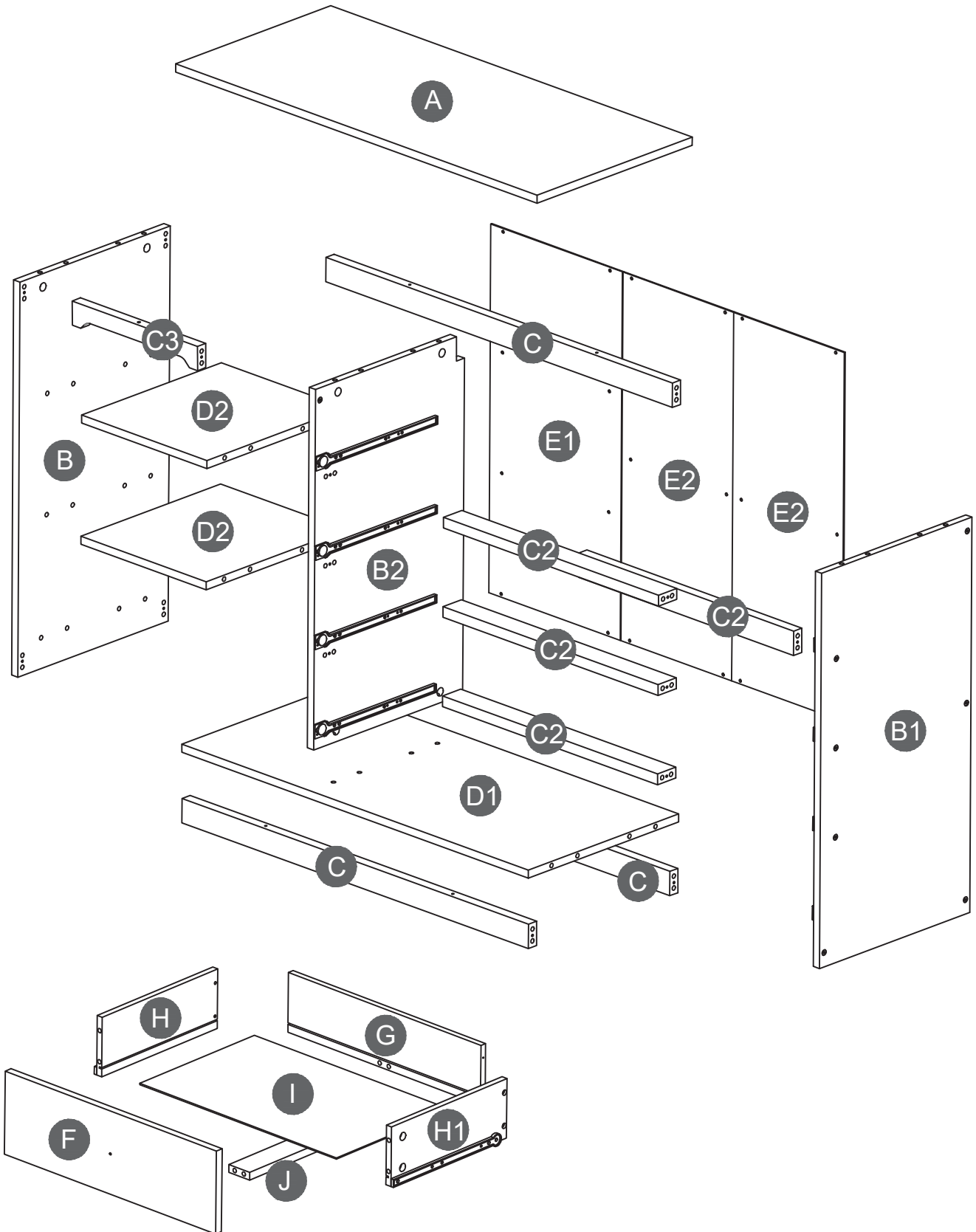
ASSEMBLY INSTRUCTIONS

(4-DRAWER CHEST)



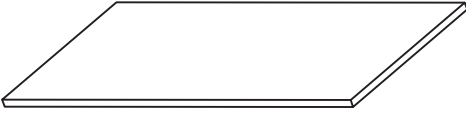
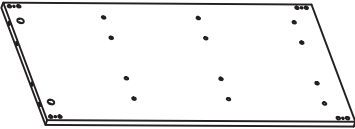
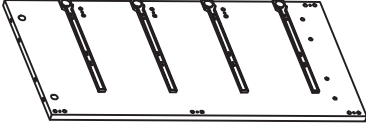
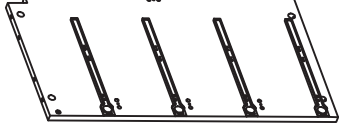
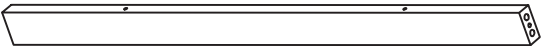
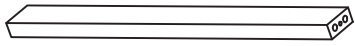
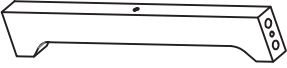
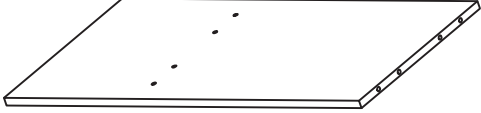
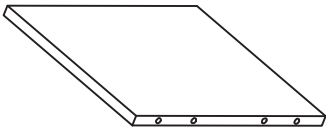
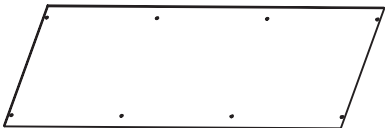
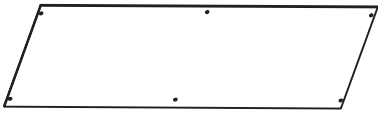
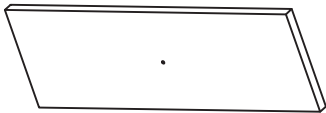
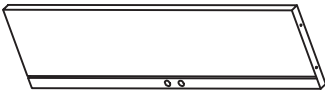
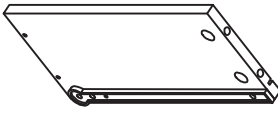


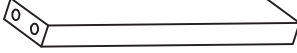
Detail View

4-Drawer Chest














Part List (4-Drawer Chest)

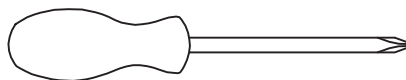
Hardware List

<p>A</p>  <p>Top Panel - 1pc</p>	<p>B</p>  <p>Side Panel (Left) - 1pc</p>
<p>B1</p>  <p>Side Panel (Right) - 1pc</p>	<p>B2</p>  <p>Mid. Panel - 1pc</p>
<p>C</p>  <p>Support Rail (Top & Bottom) - 3pcs</p>	<p>C2</p>  <p>Support Rail (Right) - 4pcs</p>
<p>C3</p>  <p>Support Rail (Left) - 1pc</p>	<p>D1</p>  <p>Bottom Panel - 1pc</p>
<p>D2</p>  <p>Shelf Panel (Left) - 2pcs</p>	<p>E1</p>  <p>Back Panel (Left) - 1pc</p>
<p>E2</p>  <p>Back Panel (Right) - 2pcs</p>	<p>F</p>  <p>Drawer Front Panel - 4pcs</p>
<p>G</p>  <p>Drawer Back Panel - 4pcs</p>	<p>H</p>  <p>Drawer Side Panel (Left) - 4pcs</p>
<p>H1</p>  <p>Drawer Side Panel (Right) - 4pcs</p>	<p>I</p>  <p>Drawer Bottom Panel - 4pcs</p>
<p>J</p>  <p>Drawer Bottom Support - 4pcs</p>	

Hardware List (4-Drawer Chest)

1  M8 x 30mm Wood Dowel (52pcs)	2  M4 x 32mm CSK Screw (23pcs)	3  Connecting Bolt (36pcs)
4  Minifix Housing (Long) (20pcs)	5  M6 x 25mm Wood Dowel (16pcs)	6  M4 x 25mm CSK Screw (16pcs)
7  M3.5 x 16mm Pan Head Screw (20pcs)	8  Minifix Housing (Short) (16pcs)	9  Sticker Cap (16pcs)
10  M4 x 25mm Handle Screw (4pcs)	11  Handle (4pcs)	

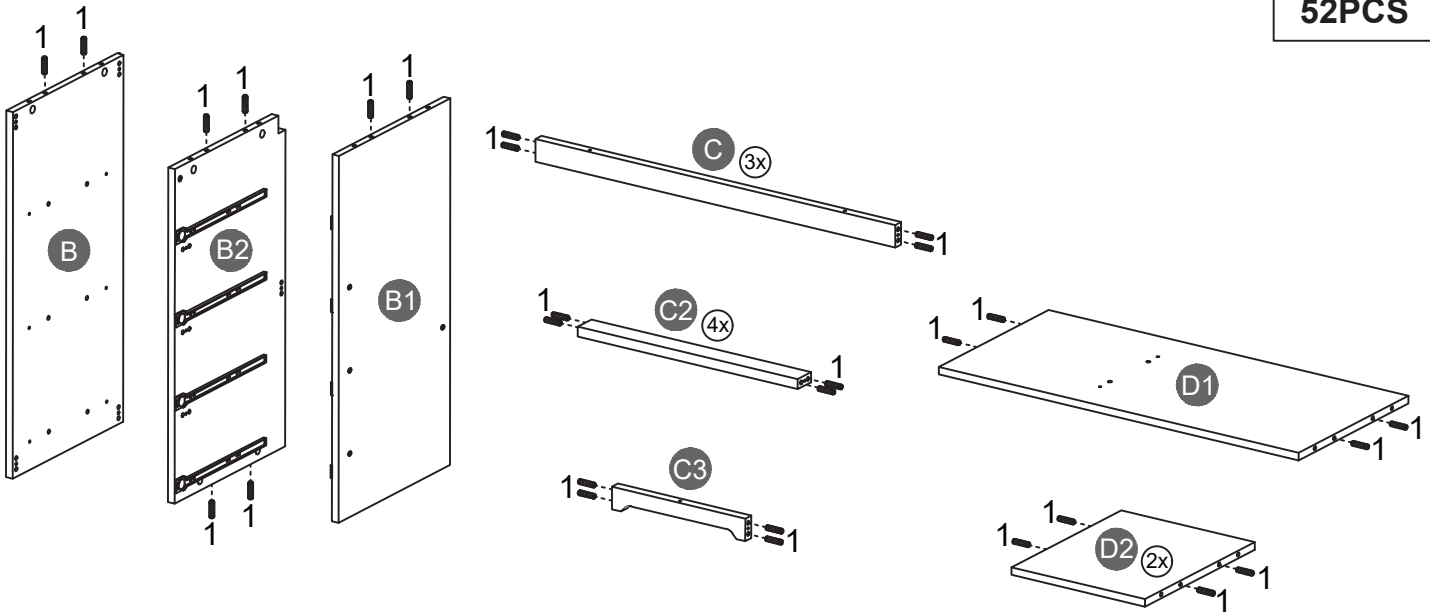
ASSEMBLY TOOLS REQUIRED (NOT INCLUDED)




PLEASE BE CAREFUL DO NOT DAMAGE THE HOLE POSITION WHEN YOU USE POWER TOOLS !

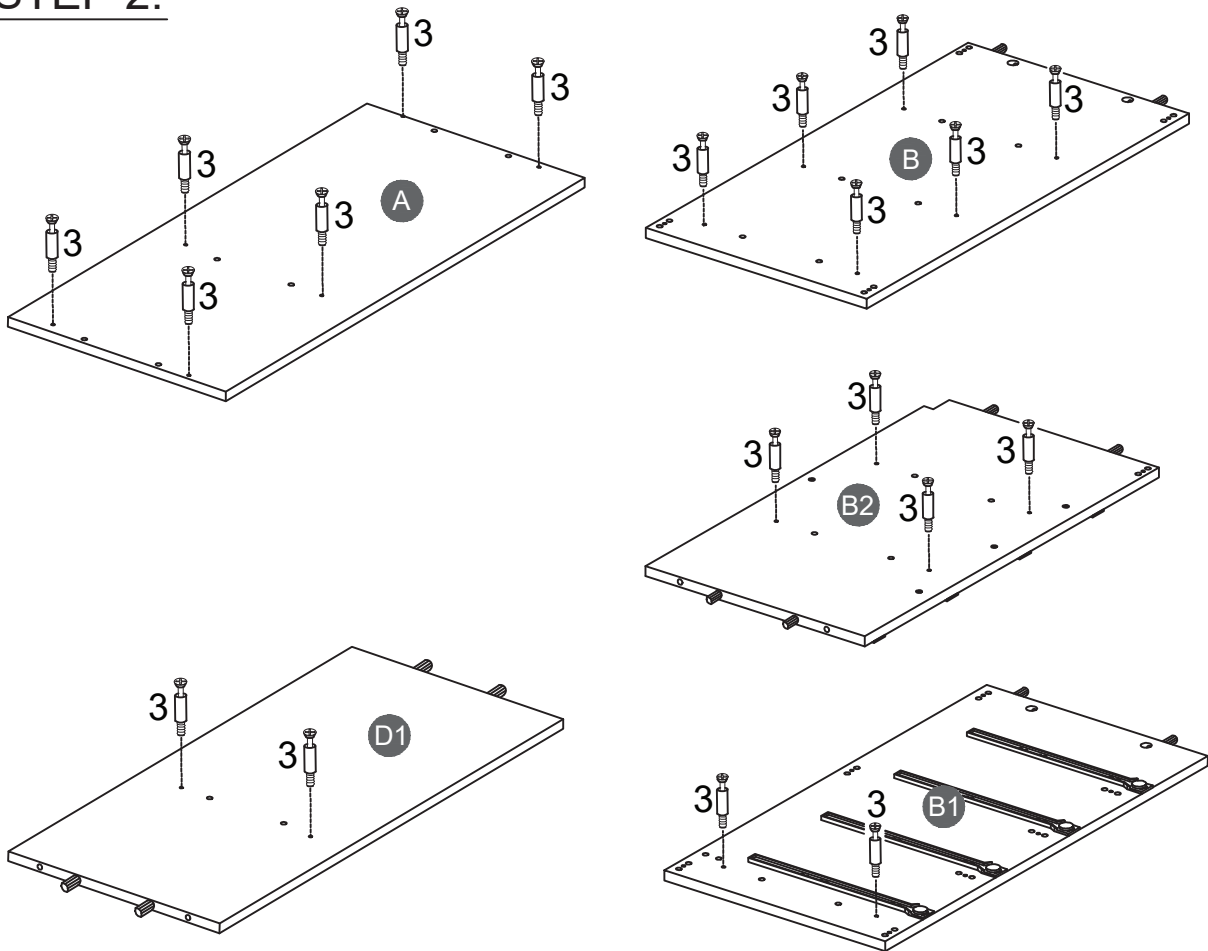
STEP 1:

1	
52PCS	



STEP 2:

3	
20PCS	

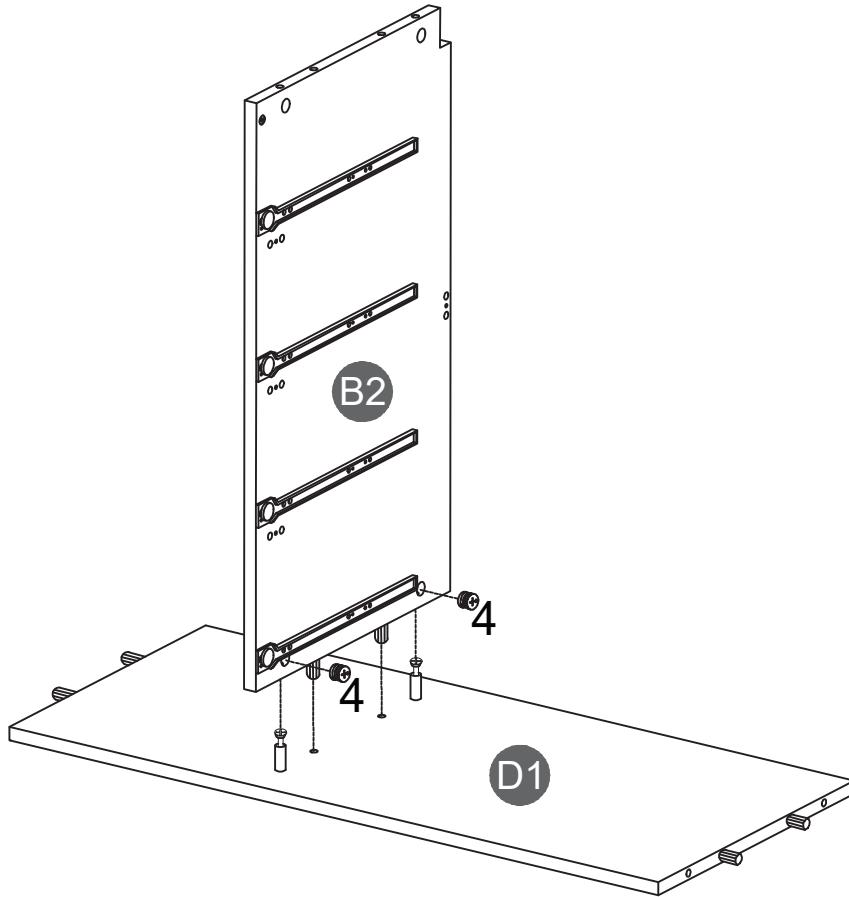


STEP 3:

4



2PCS

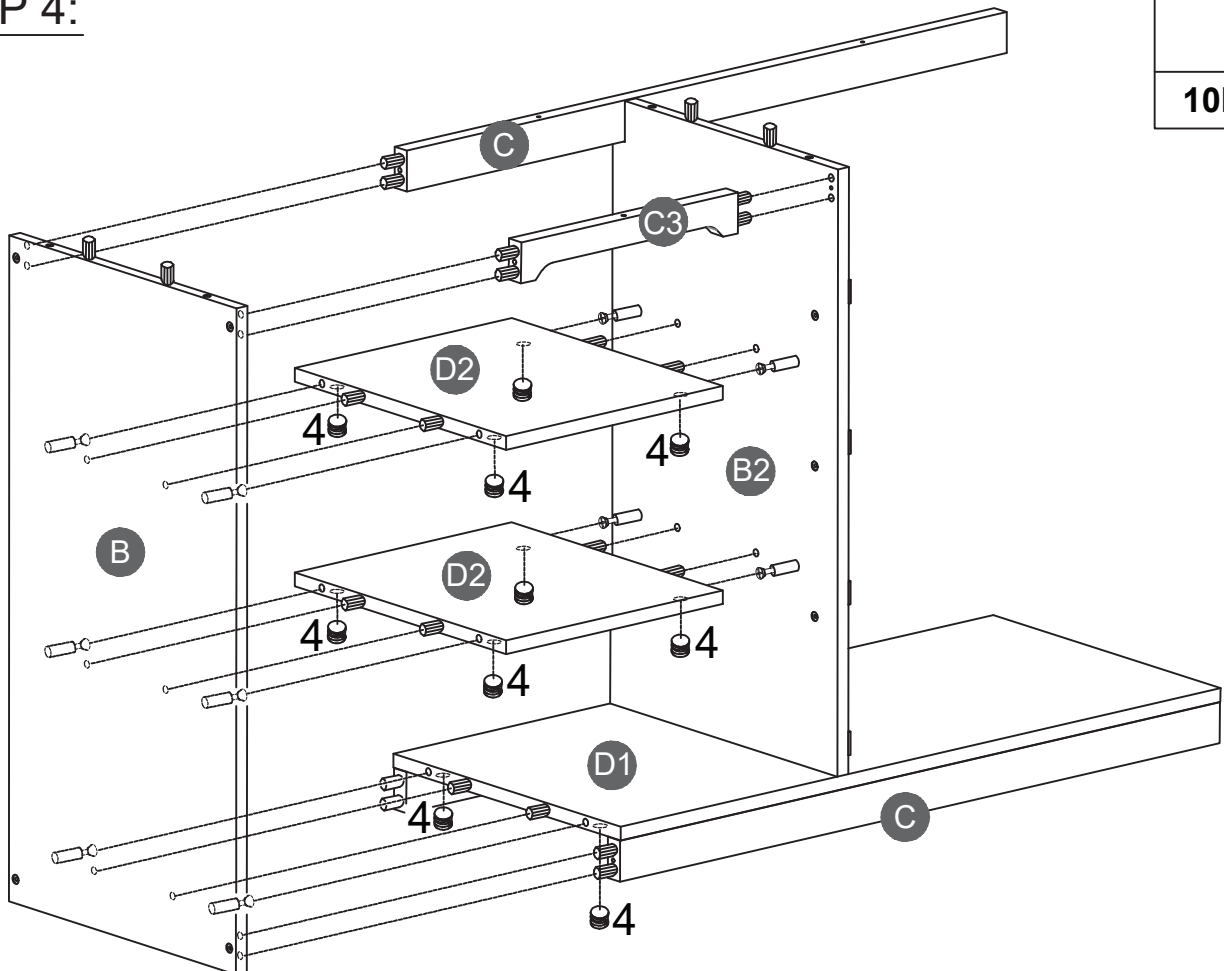


STEP 4:

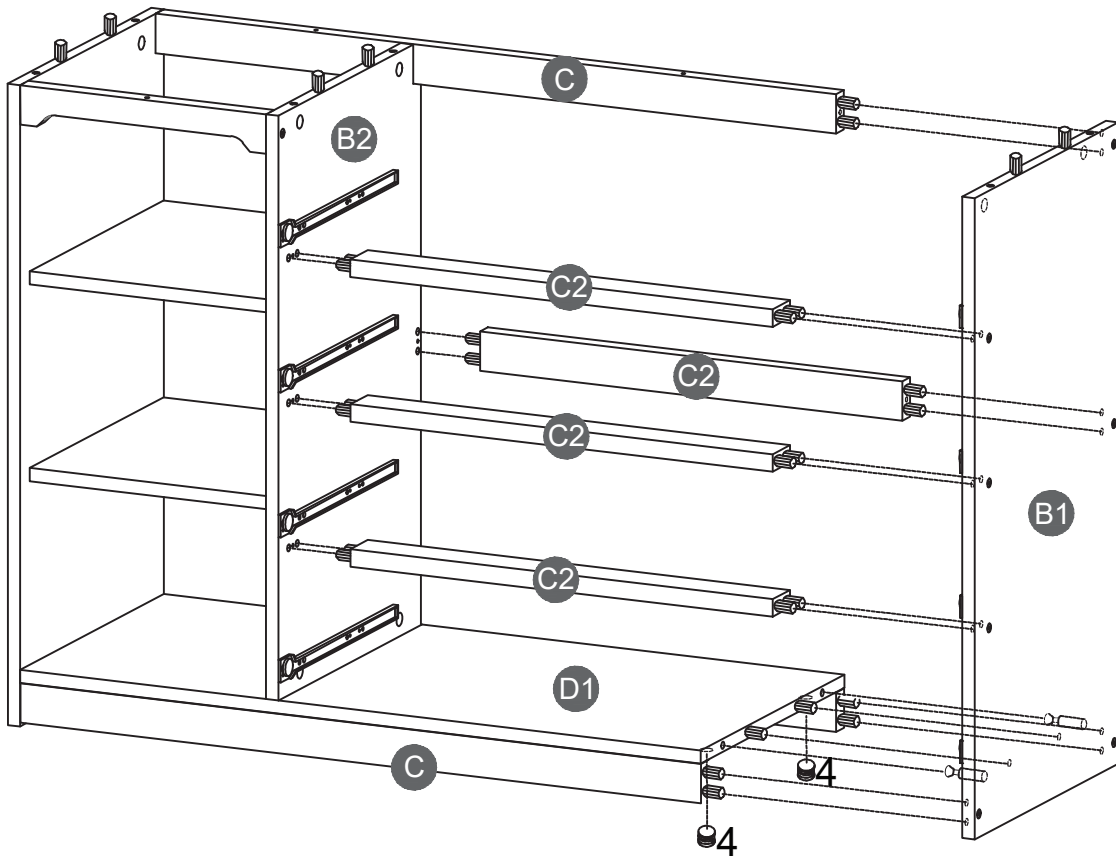
4



10PCS



STEP 5:

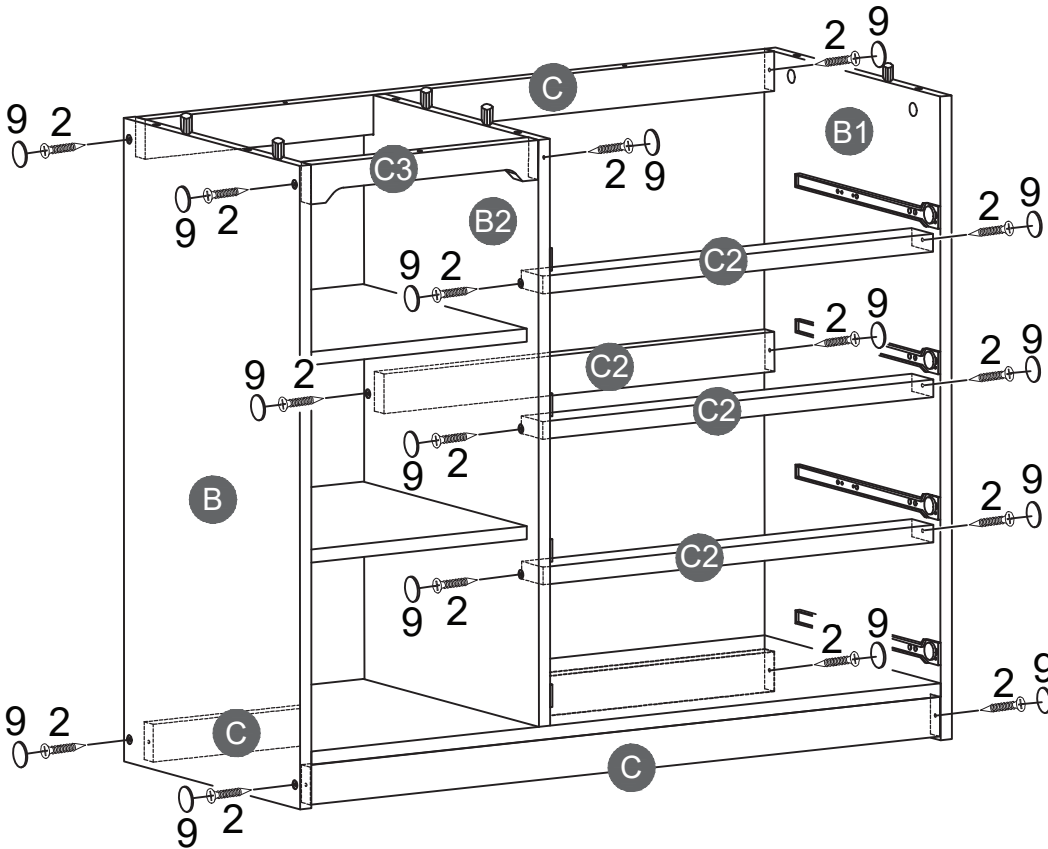


4

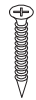


2PCS

STEP 6:



2

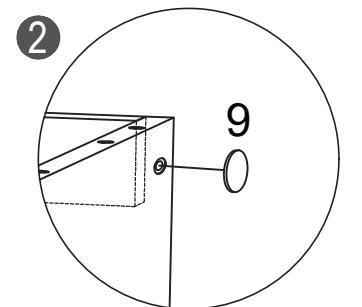
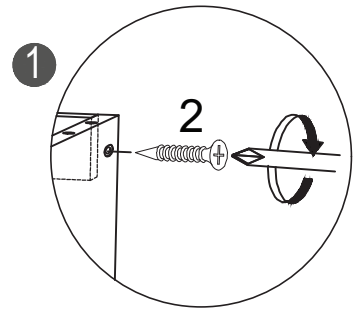


16PCS

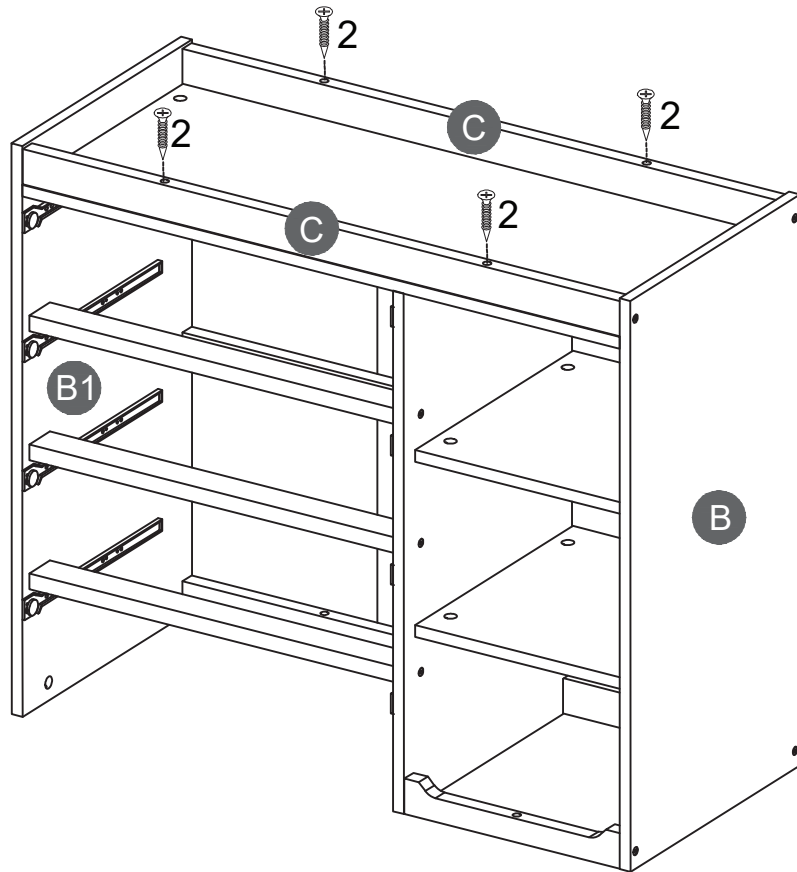
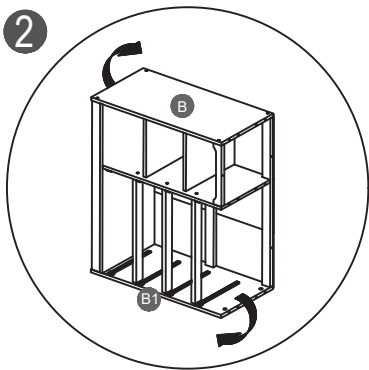
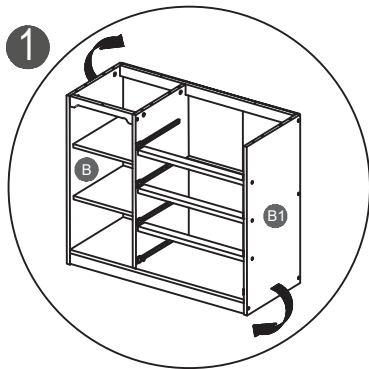
9




16PCS

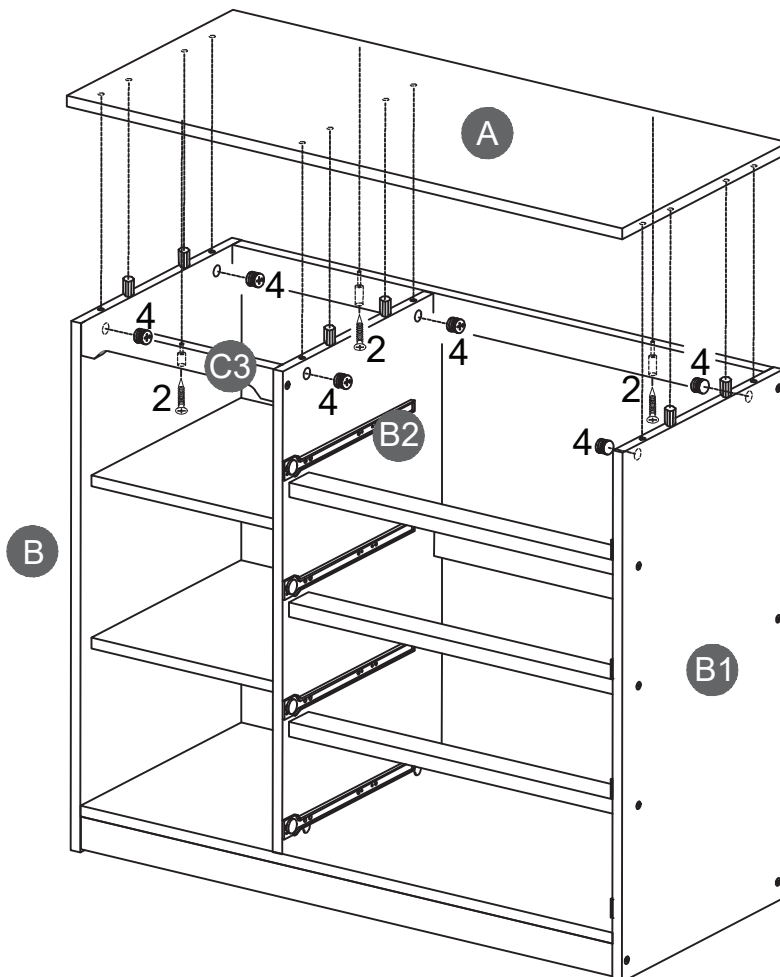




STEP 7:



2	
4PCS	

STEP 8:



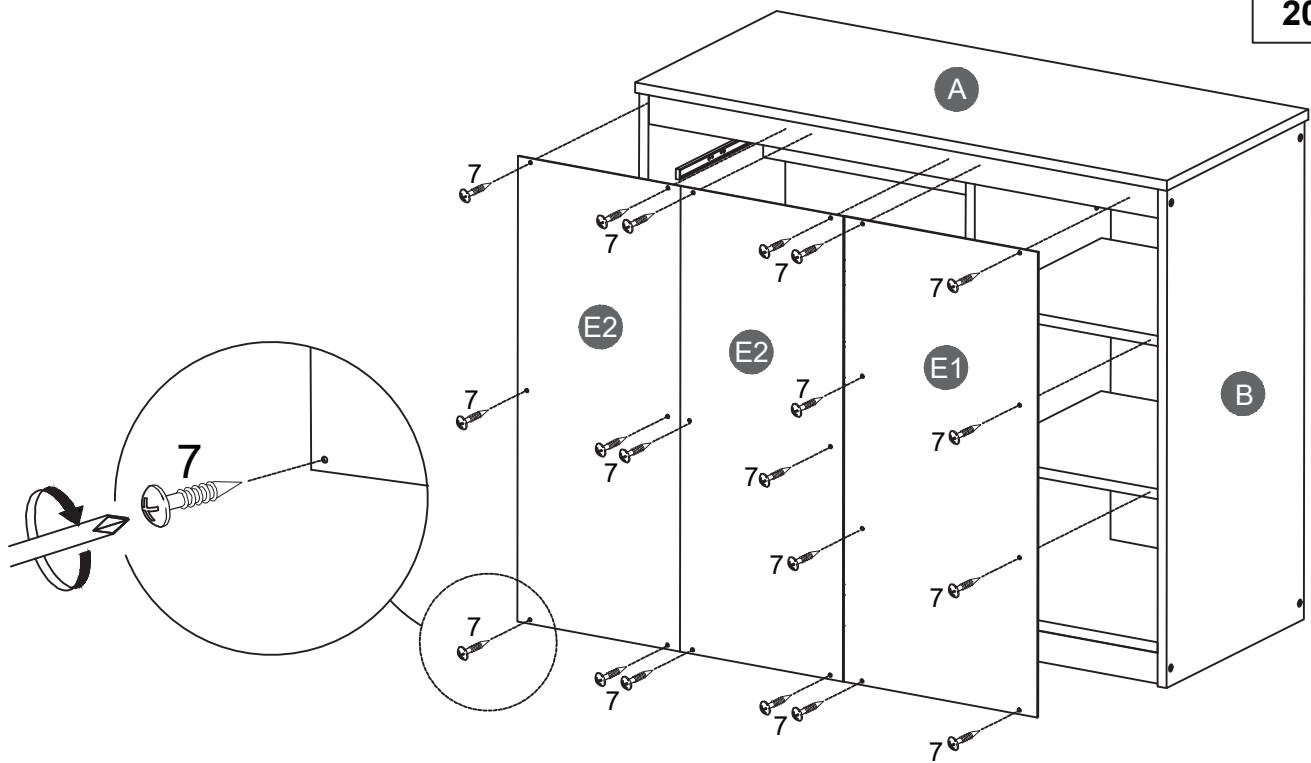
2		4	
3PCS		6PCS	

STEP 9:

7



20PCS



STEP 10:

3



16PCS

5



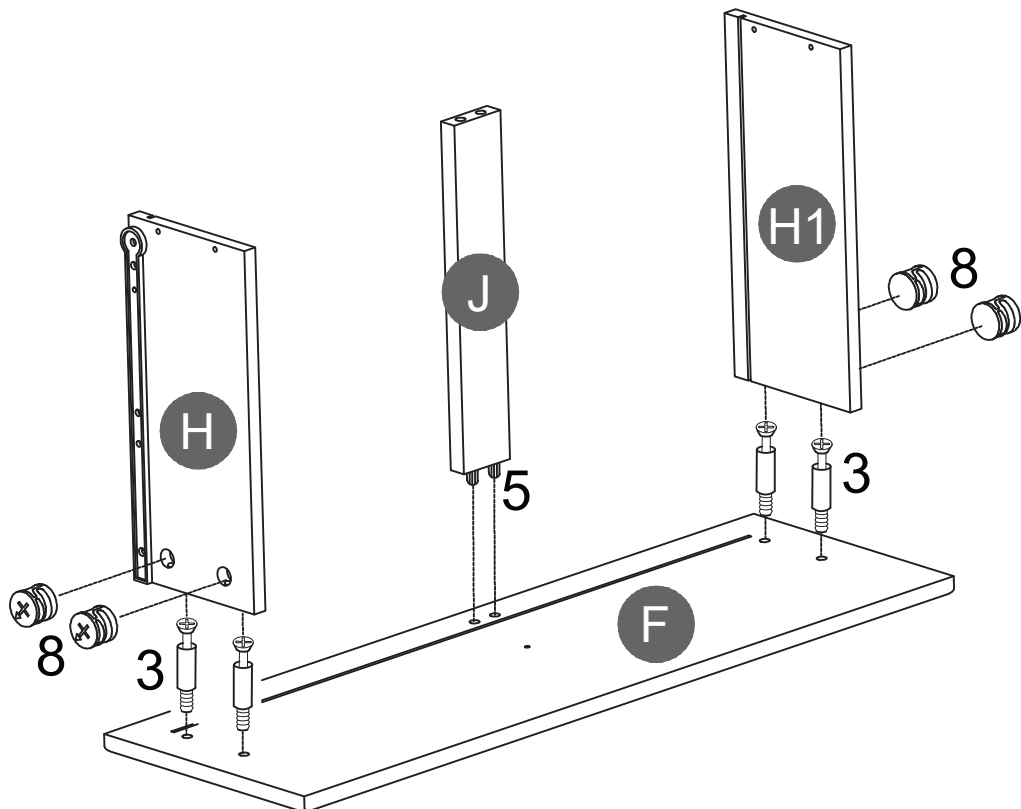
8PCS

8

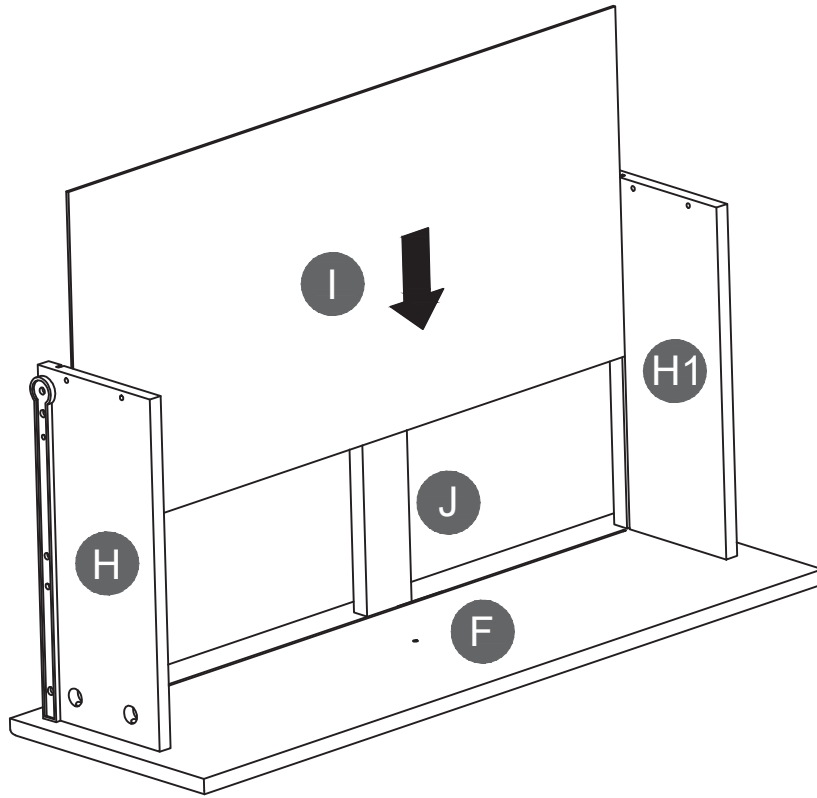


16PCS

x 4

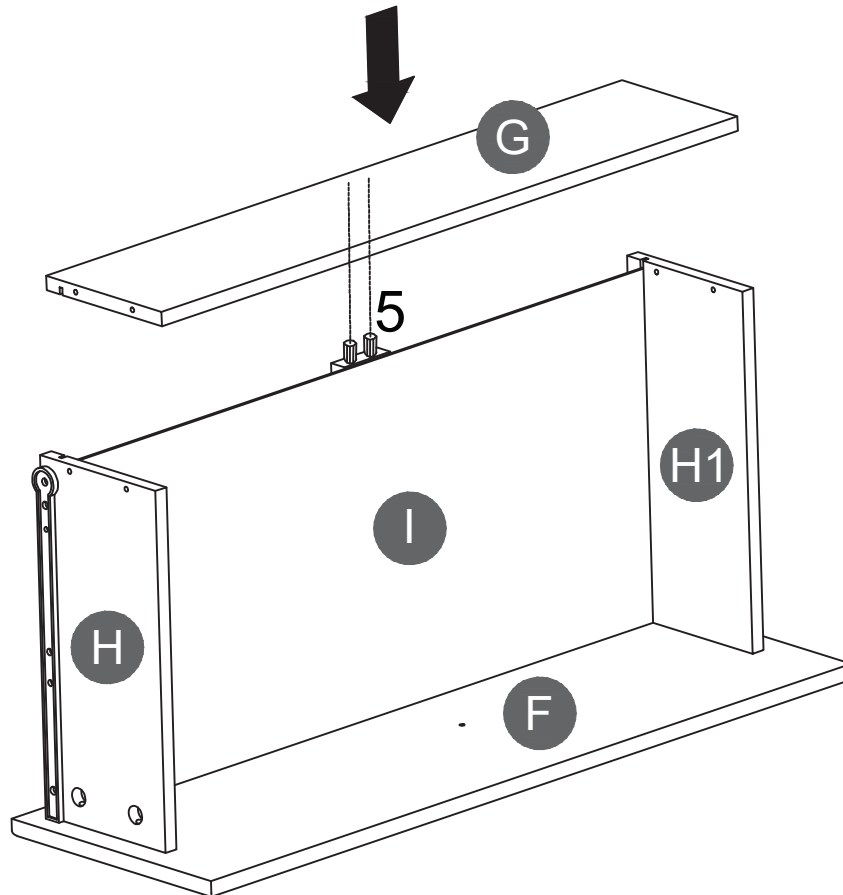


STEP 11:



x 4

STEP 12:



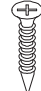


x 4

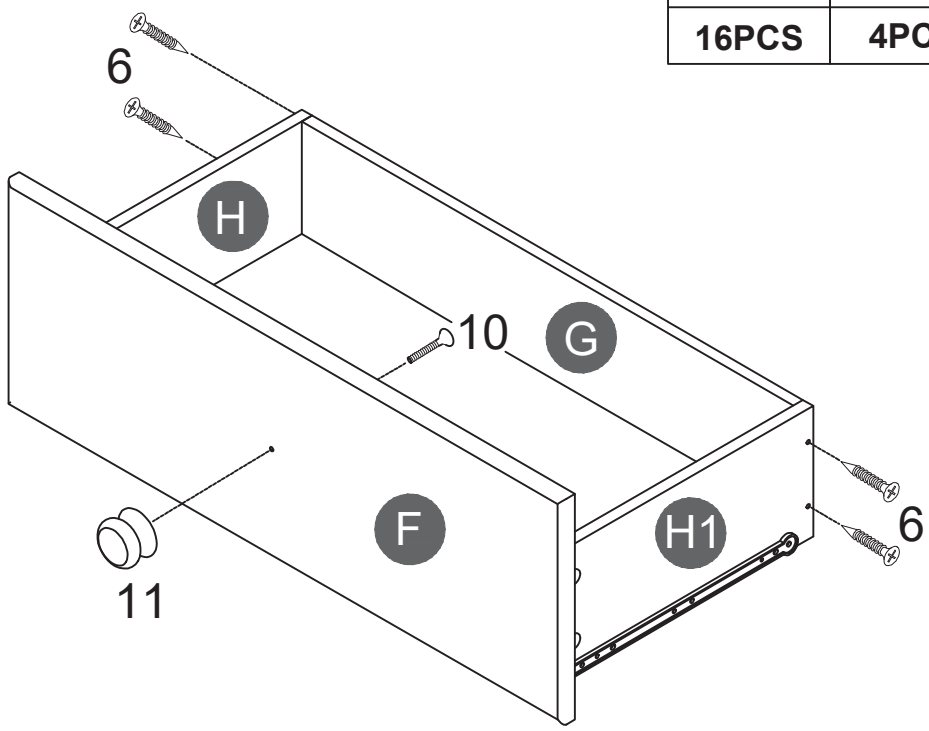
5



8PCS

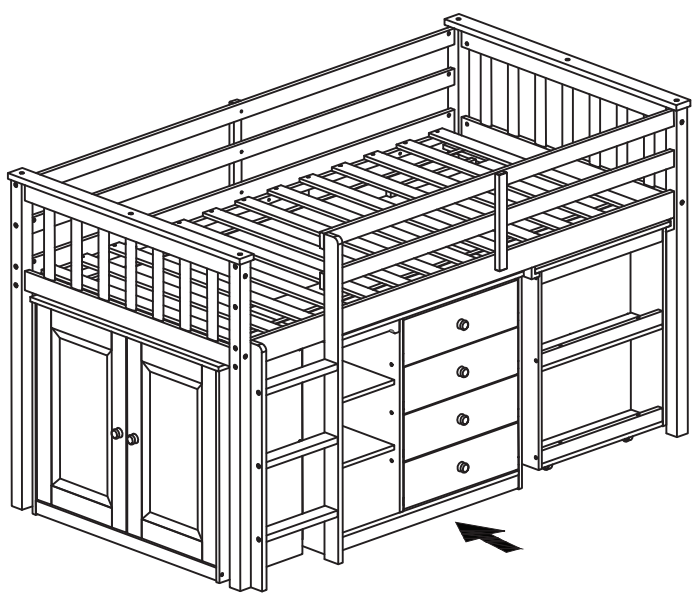
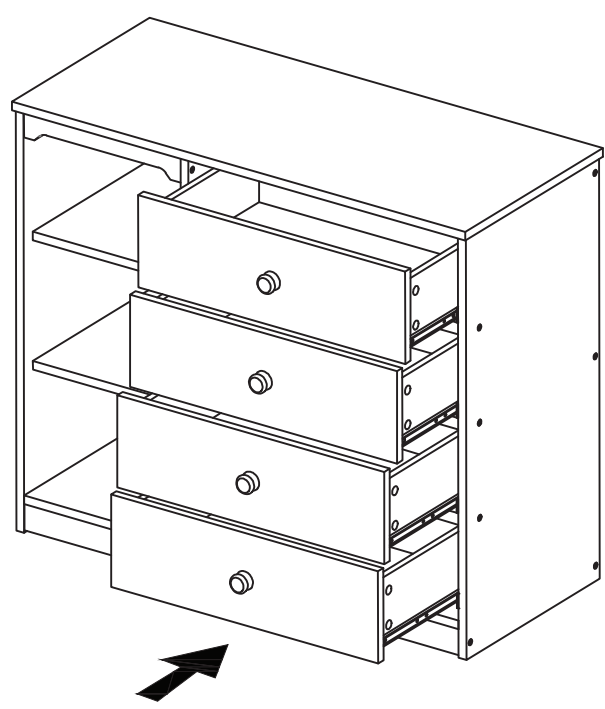
STEP 13:

6		10		11	
16PCS		4PCS		4PCS	



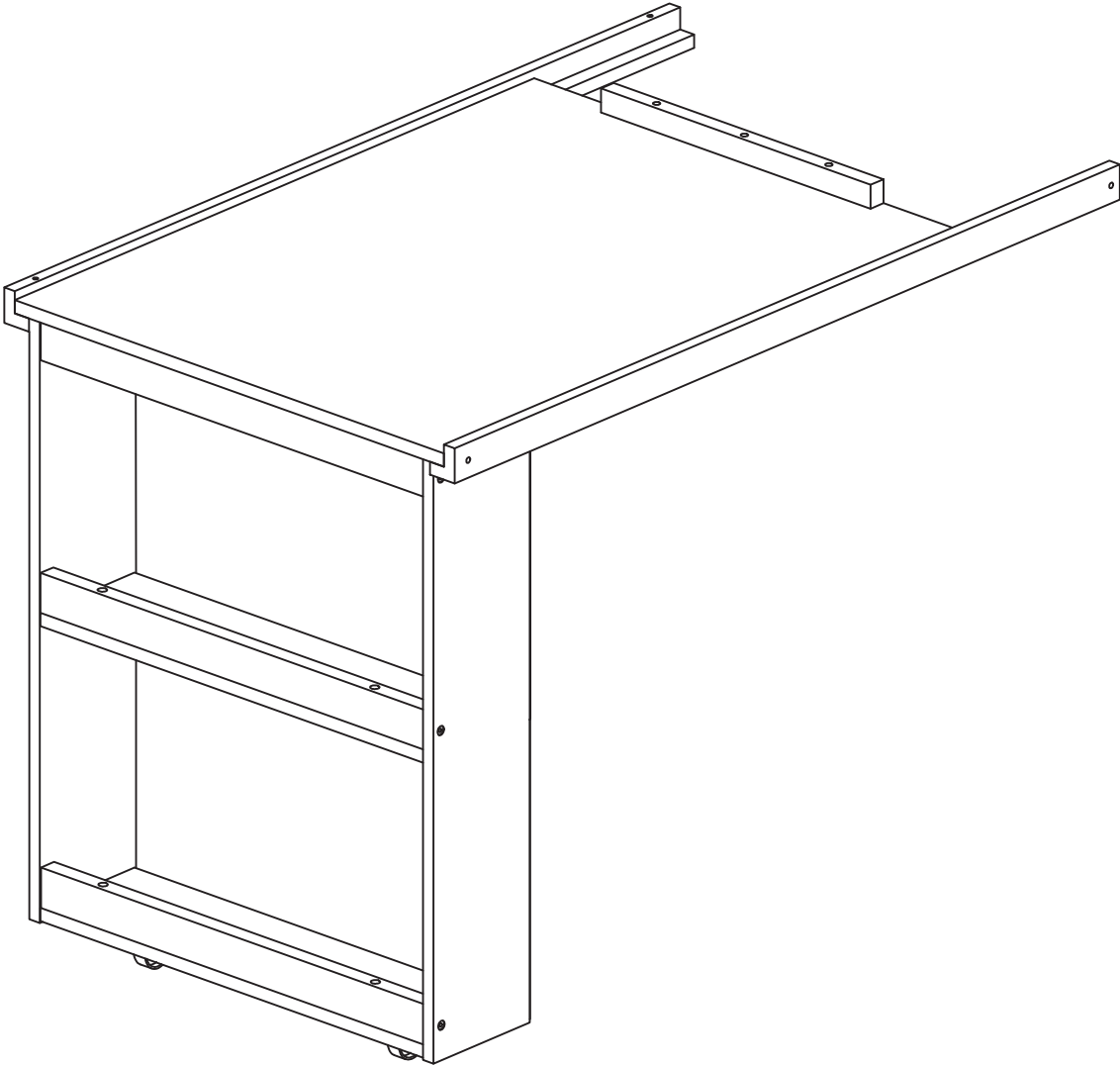
x 4

STEP 14:



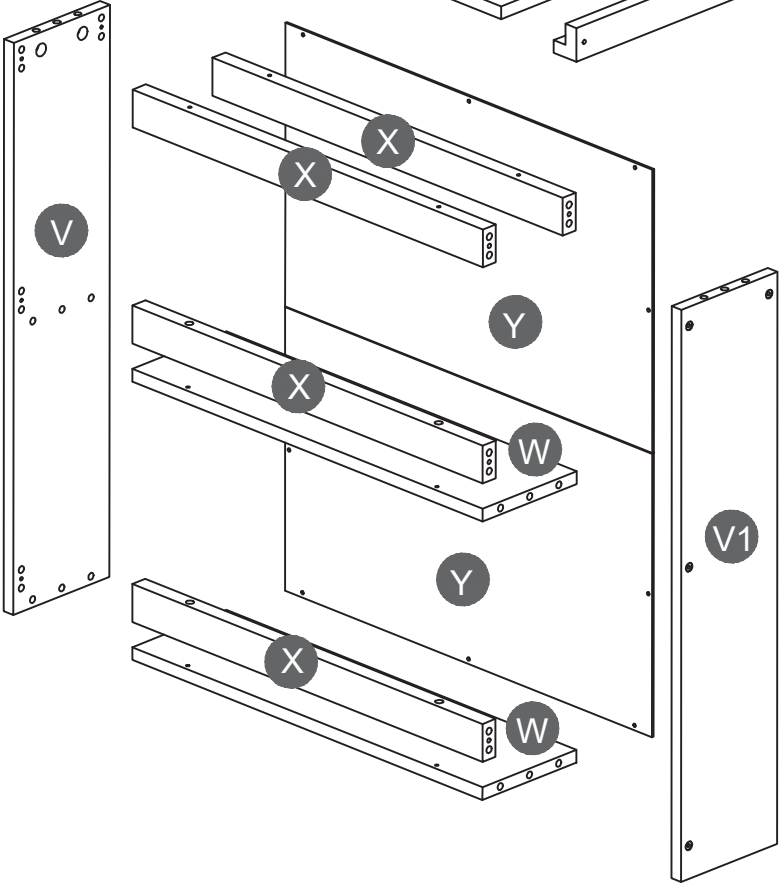
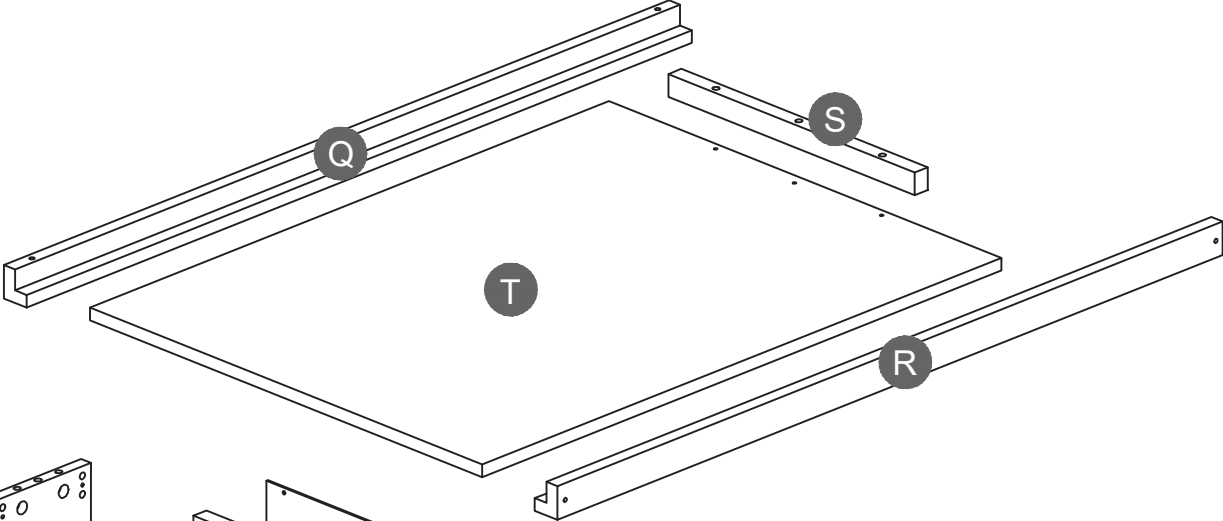
ASSEMBLY INSTRUCTIONS

(DESK)



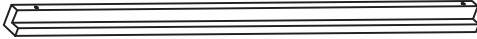
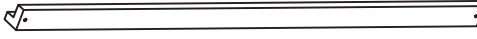

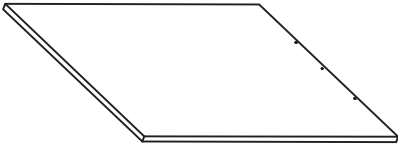


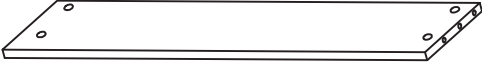
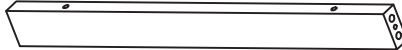
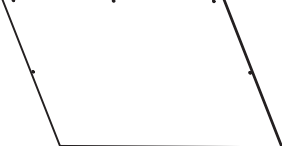
Detail View

Desk

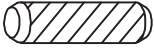

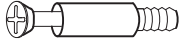


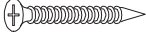
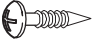




Part List (Desk)

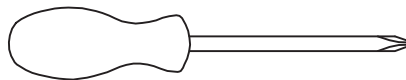
Hardware List

<p>Q</p>  <p>Desk Rail (Left) - 1pc</p>	<p>R</p>  <p>Desk Rail (Right) - 1pc</p>
<p>S</p>  <p>Desk Stopper - 1pc</p>	<p>T</p>  <p>Top Panel - 1pc</p>
<p>V</p>  <p>Side Panel (Left) - 1pc</p>	<p>V1</p>  <p>Side Panel (Right) - 1pc</p>
<p>W</p>  <p>Shelf & Bottom Panel - 2pcs</p>	<p>X</p>  <p>Support Rail - 4pcs</p>
<p>Y</p>  <p>Back Panel - 2pcs</p>	

Hardware List (Desk)


1  M8 x 30mm Wood Dowel (24pcs)	2  M4 x 32mm CSK Screw (19pcs)	3  Connecting Bolt (12pcs)
4  Minifix Housing (Long) (12pcs)	5  Back Panel Metal Plate (3pcs)	6  M4 x 38mm CSK Screw (4pcs)
7  M3.5 x 16mm Pan Head Screw (21pcs)	8  Caster (2pcs)	9  Sticker Cap (8pcs)

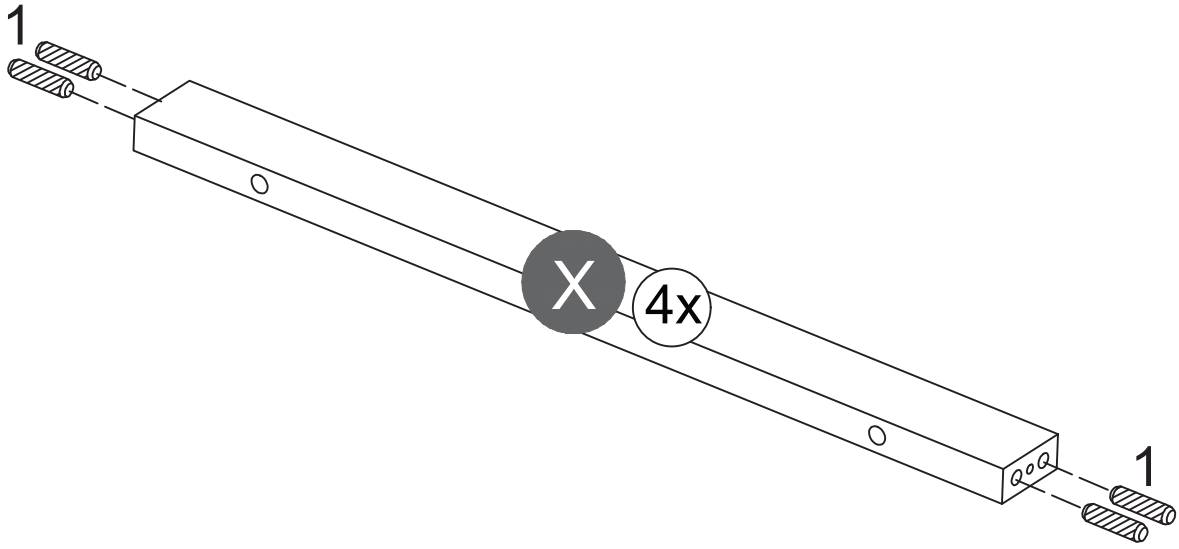
ASSEMBLY TOOLS REQUIRED (NOT INCLUDED)





PLEASE BE CAREFUL DO NOT DAMAGE THE HOLE POSITION WHEN YOU USE POWER TOOLS !

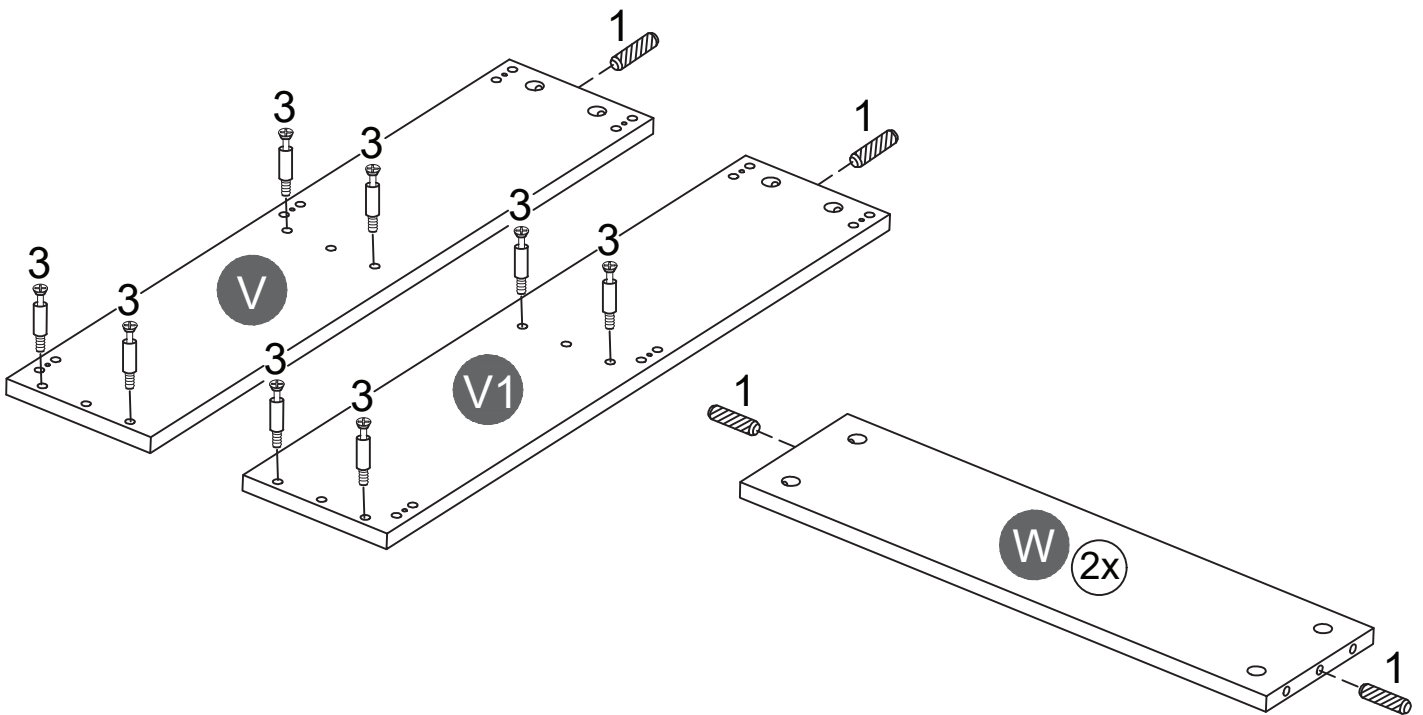
STEP 1:

1	
16PCS	





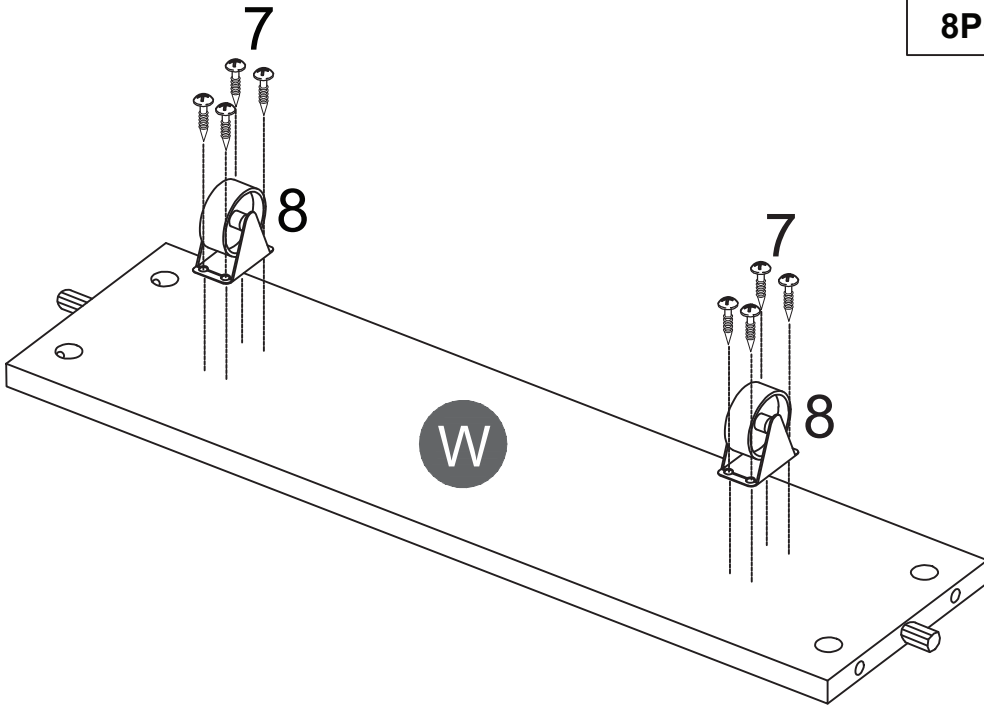
STEP 2:

1		3	
6PCS		8PCS	




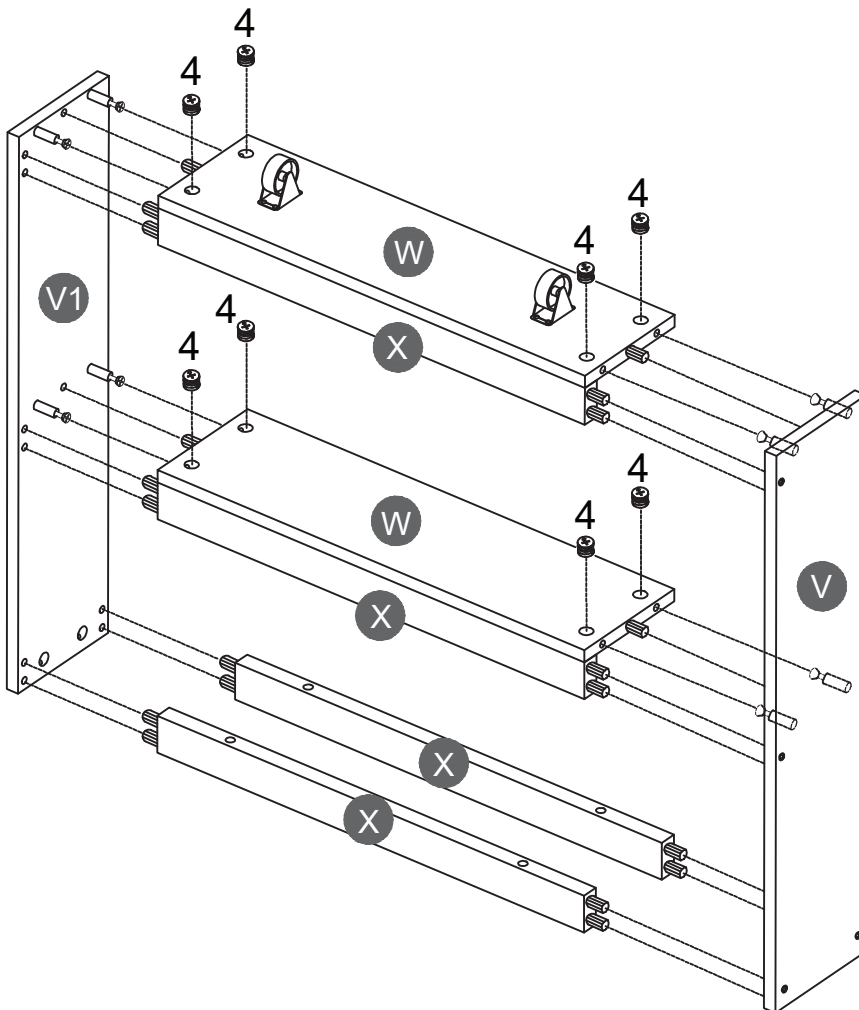
STEP 3:

7		8	
8PCS		2PCS	

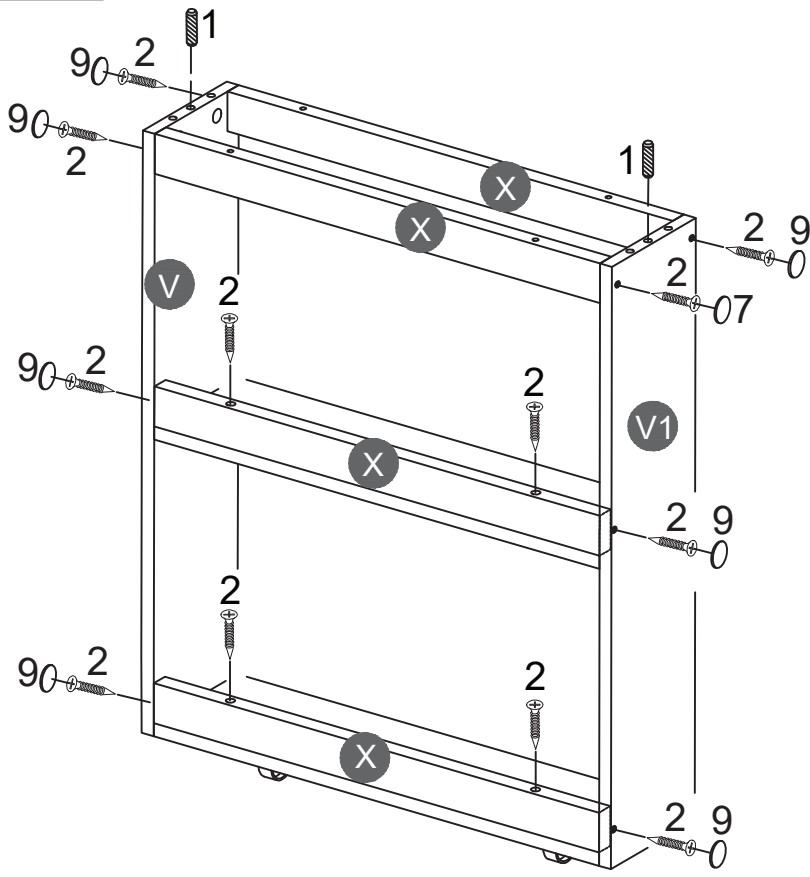





STEP 4:

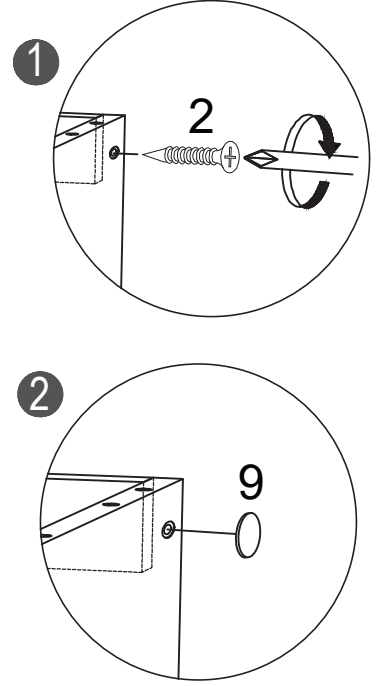
4	
8PCS	



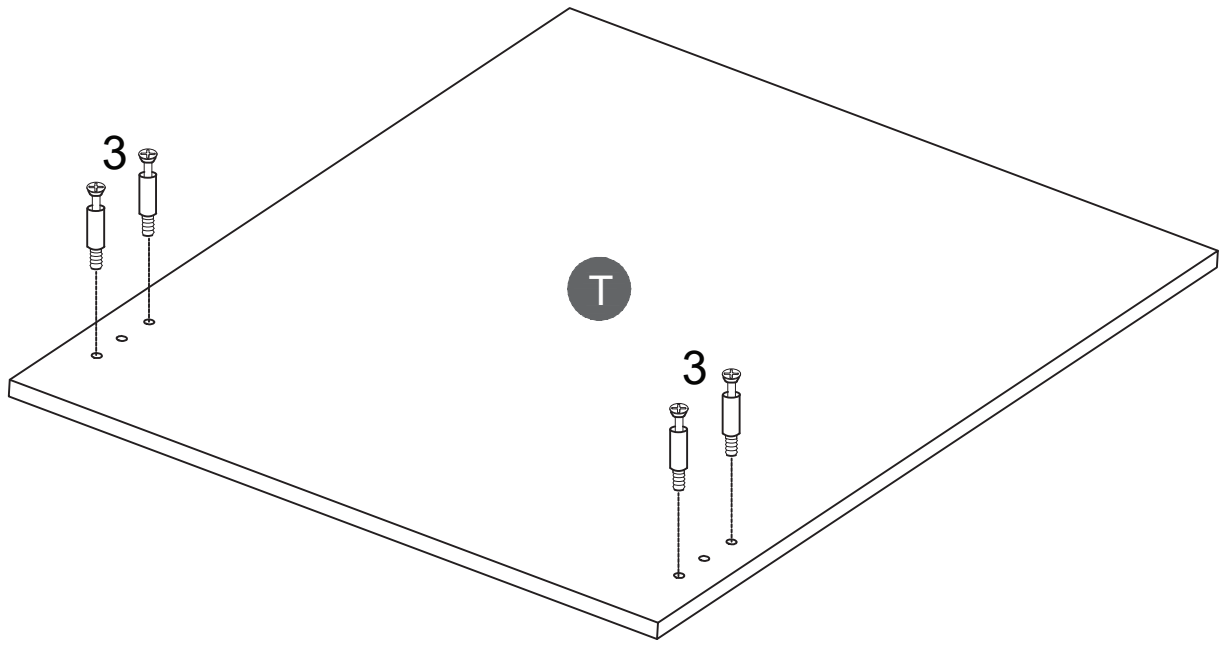
STEP 5:




1		2		9	
	2PCS		12PCS		8PCS

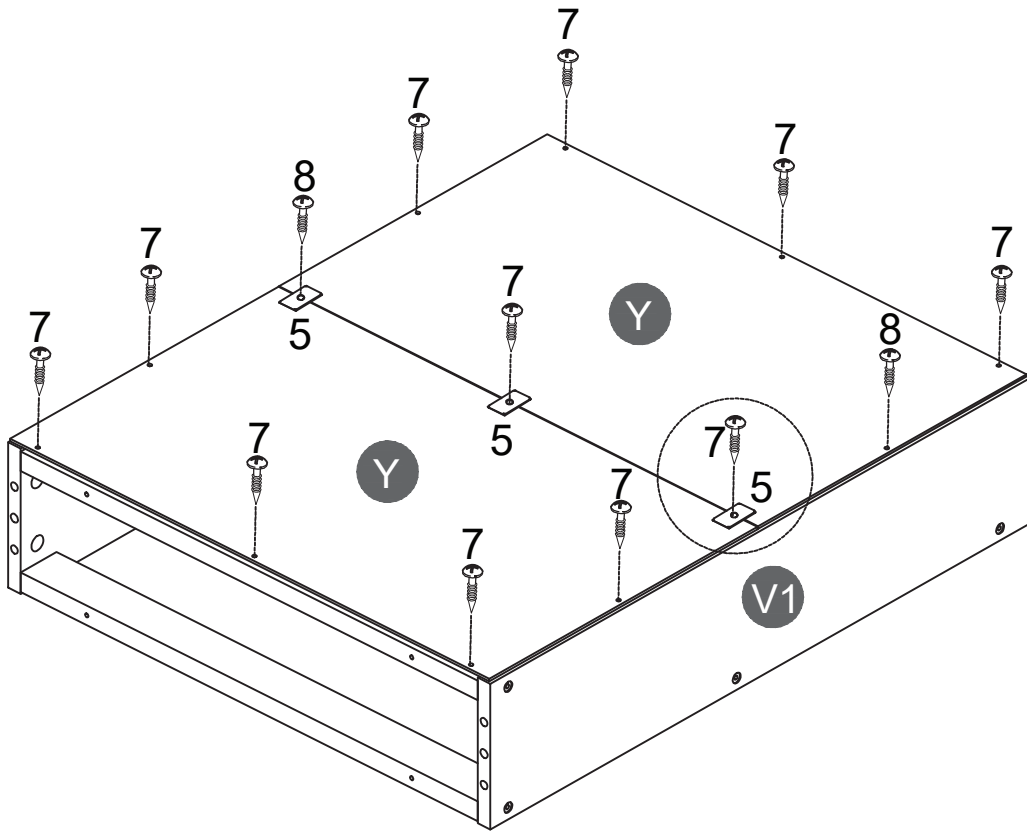




STEP 6:

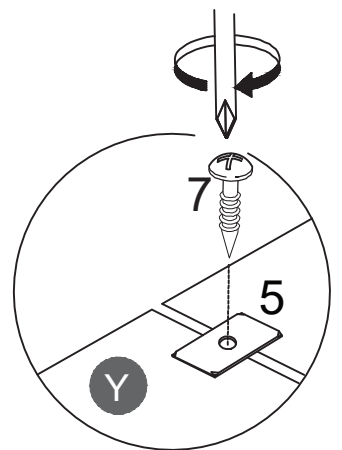


3	
	4PCS

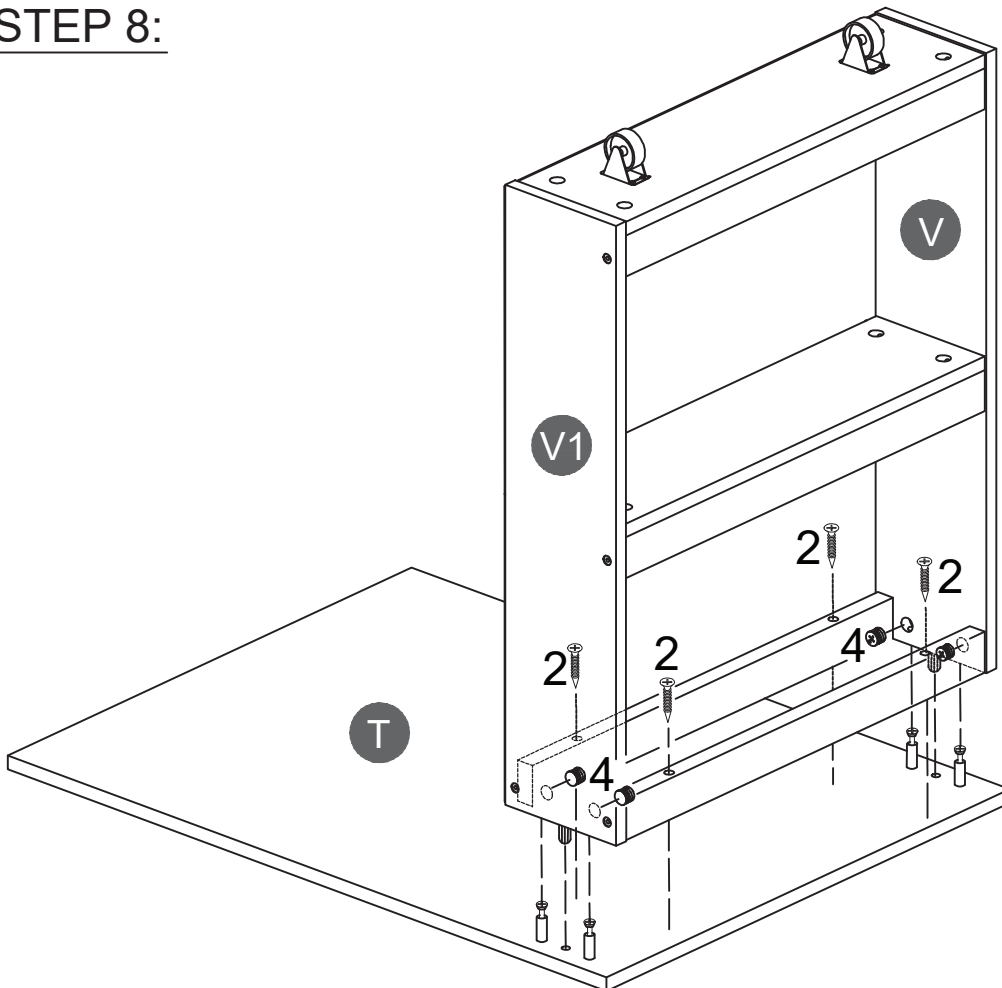
STEP 7:





5		7	
3PCS		13PCS	

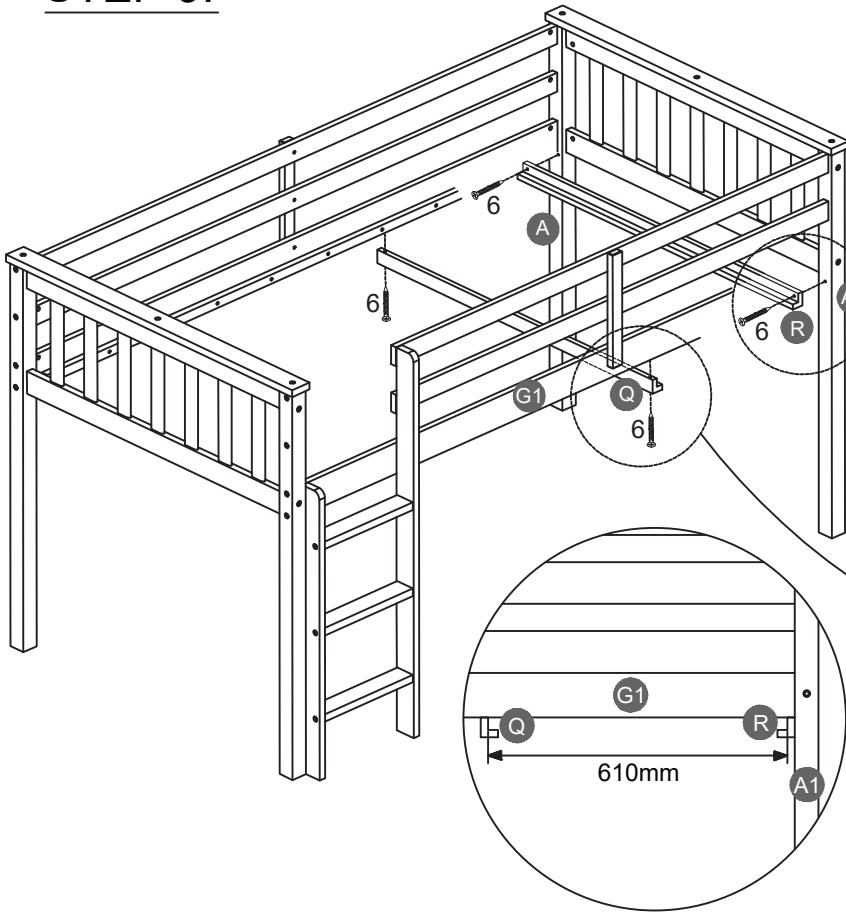


STEP 8:



2		4	
4PCS		4PCS	

STEP 9:

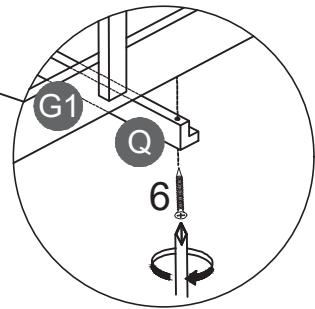
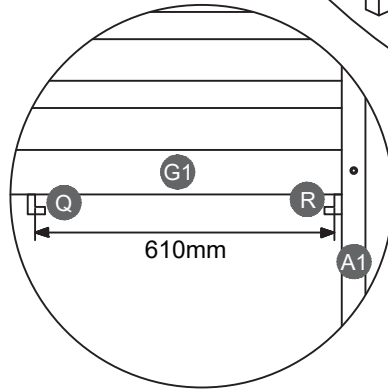
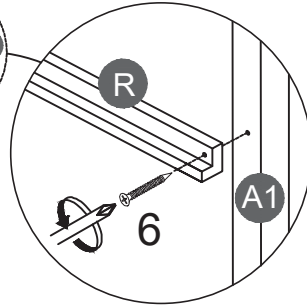


6

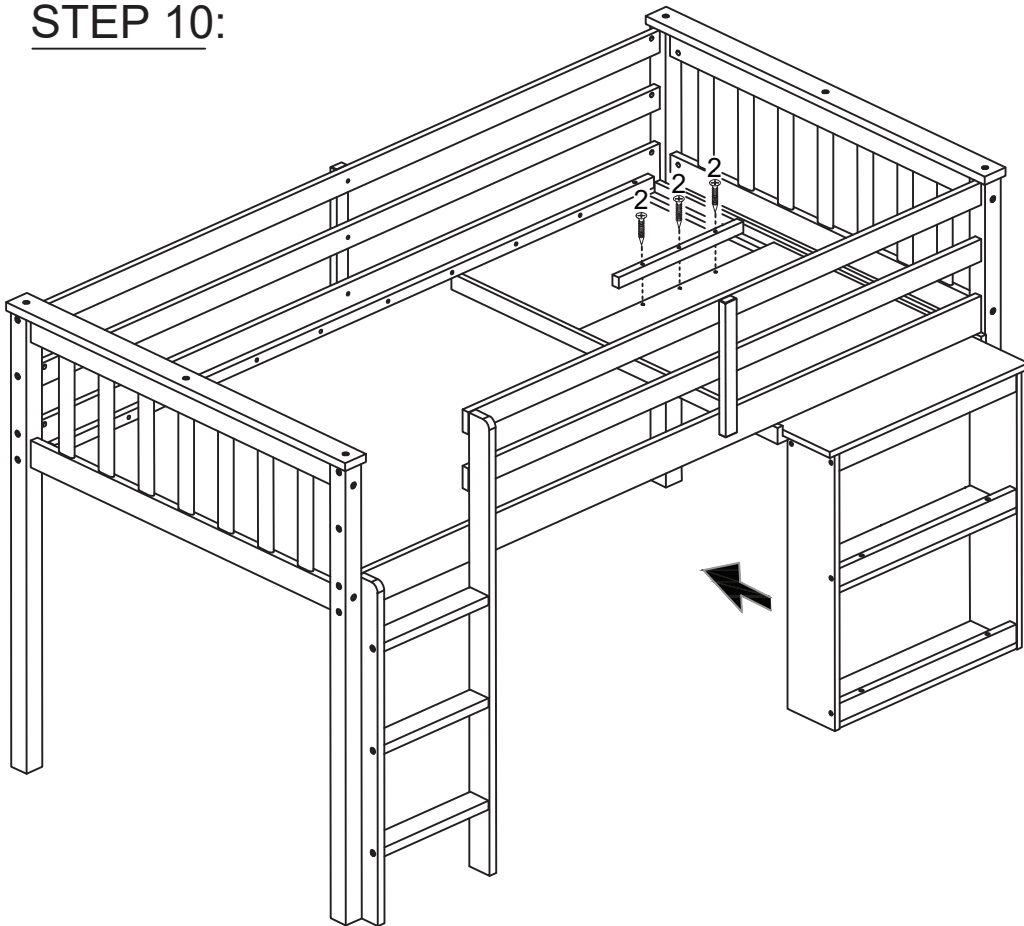


4PCS

REMARKS:
CSK Screw
M4 x 38mm
***BE CAREFUL!**



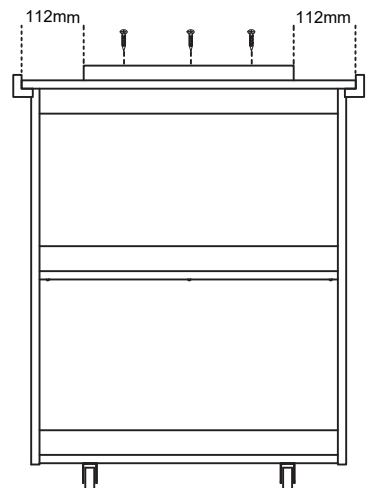
STEP 10:



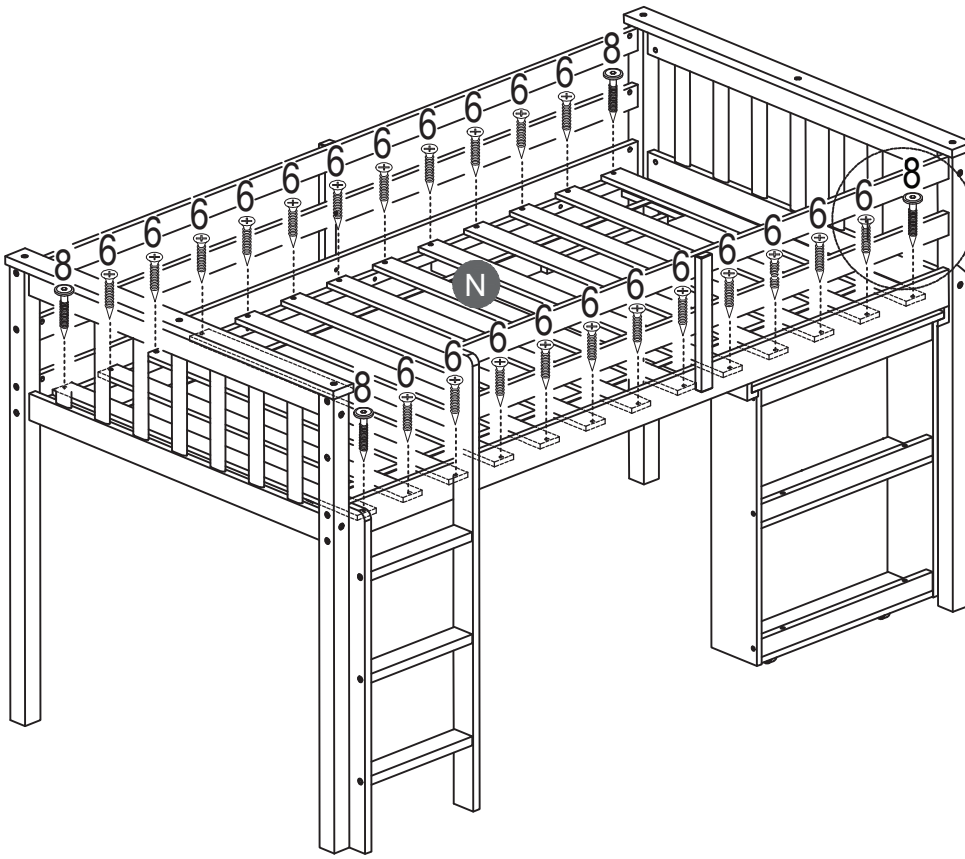
2



3PCS



STEP 11:

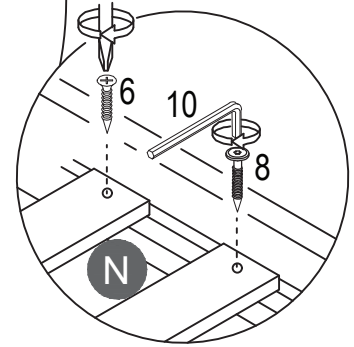


6		8	
22PCS		4PCS	

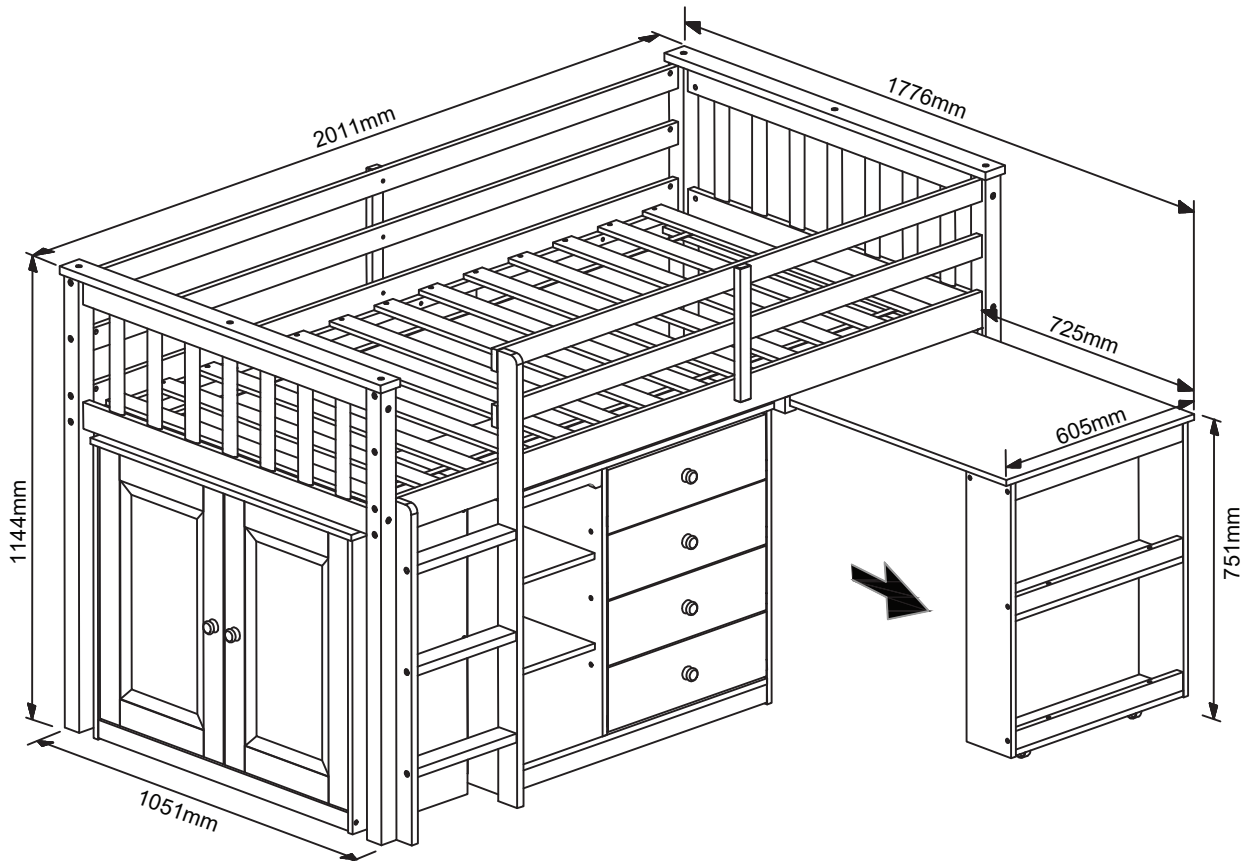
REMARKS:

Get the CSK Screw M4 x 25mm (**6**) and JCBC-W M6 x 30mm (**8**) from the Bed Hardware (1/3).

***BE CAREFUL!**

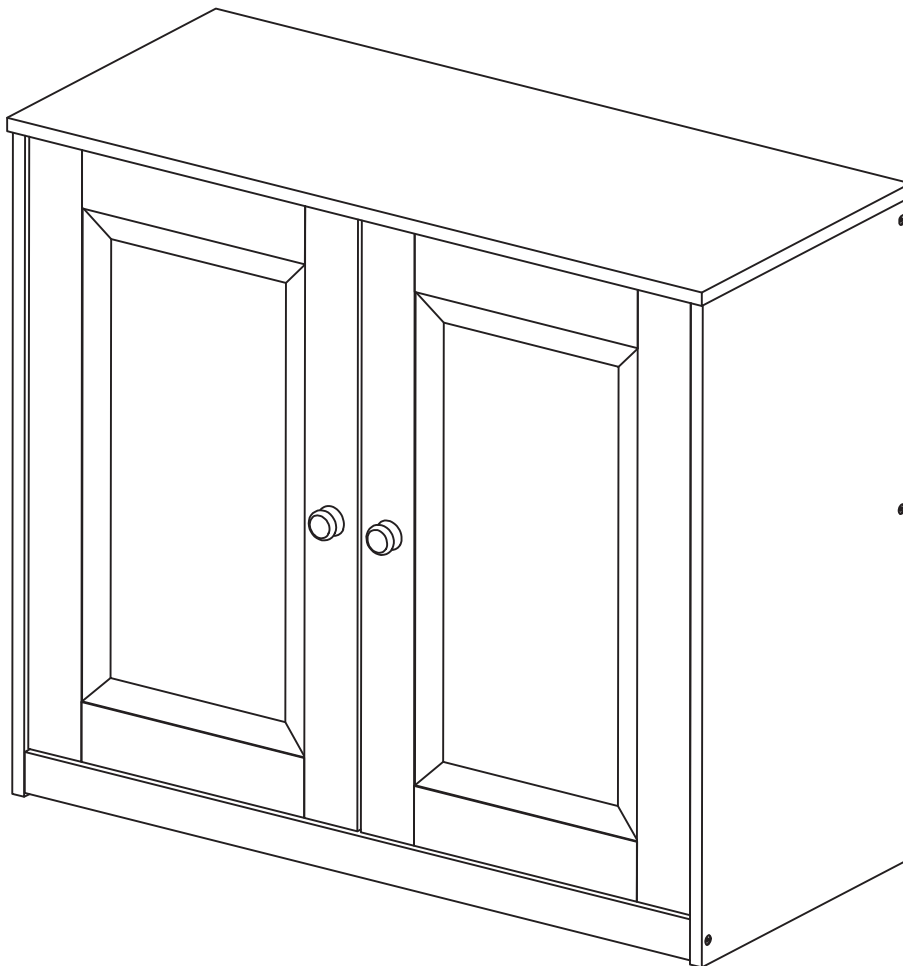


STEP 12:



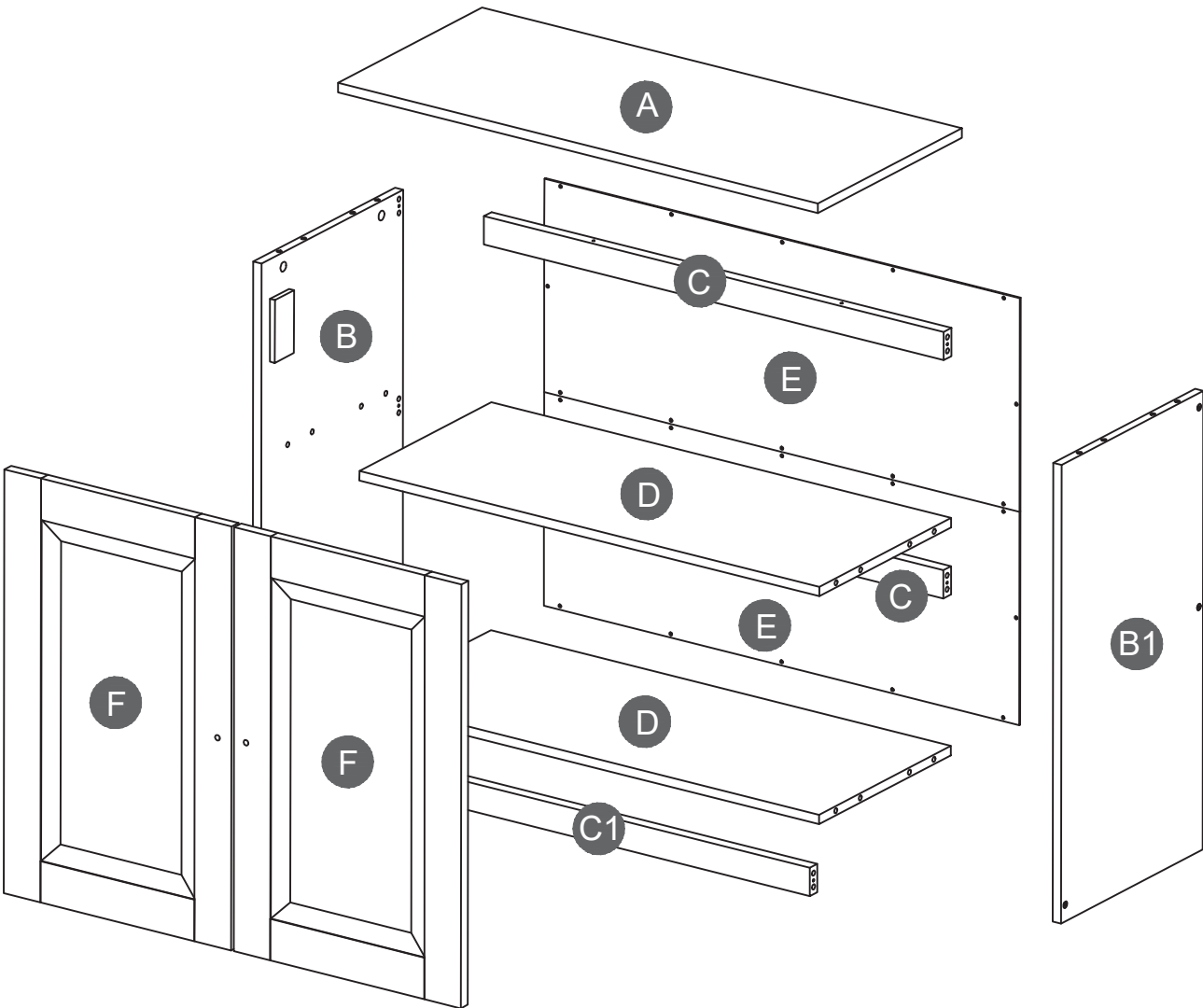
ASSEMBLY INSTRUCTIONS

(CABINET)



Detail View

CABINET



Part List (Cabinet)

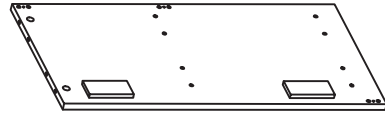
Hardware List

A



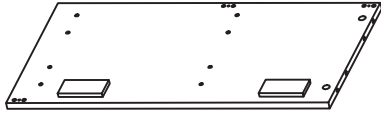
Top Panel - 1pc

B



Side Panel (Left) - 1pc

B1



Side Panel (Right) - 1pc

C



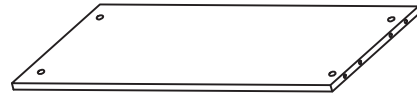
Support Rail - 2pcs

C1



Support Rail - 1pc

D



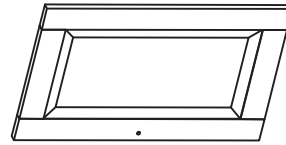
Shelf Panel - 2pcs

E





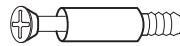



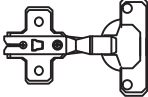



Back Panel - 2pcs

F

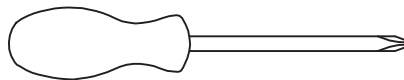


Door Panel - 2pcs

Hardware List (Cabinet)

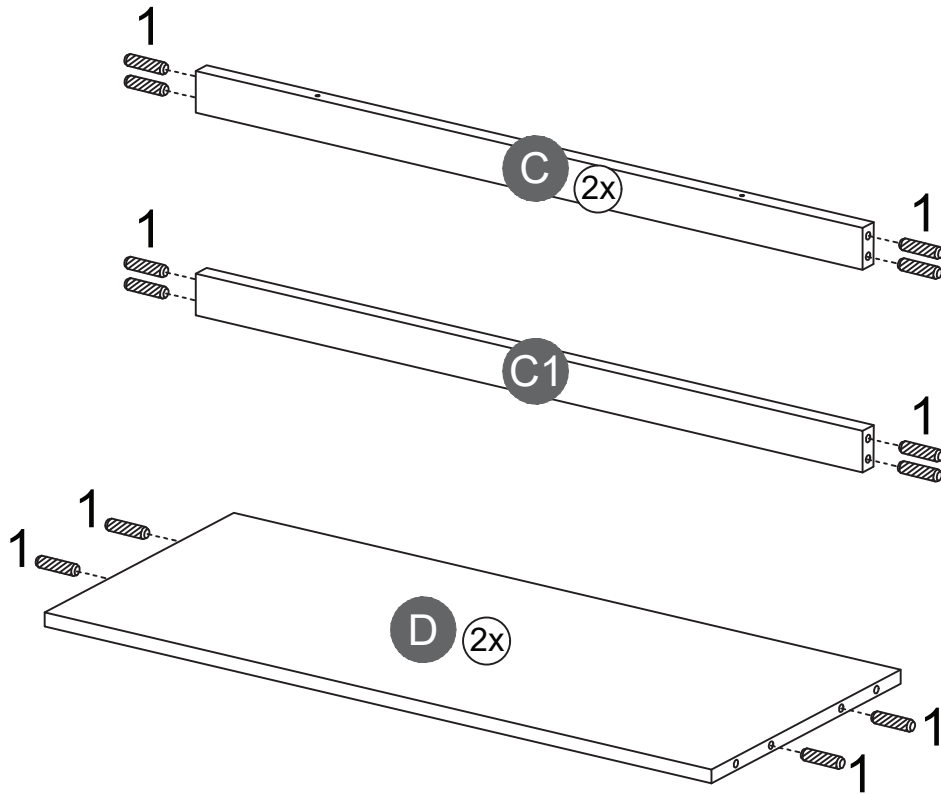
1  M8 x 30mm Wood Dowel (24pcs)	2  M4 x 32mm CSK Screw (10pcs)	3  Connecting Bolt (12pcs)
4  Minifix Housing (Long) (12pcs)	5  M3.5 x 16mm Pan Head Screw (24pcs)	6  M4 x 16mm CSK Screw (24pcs)
7  Hinges (4pcs)	8  Sticker Cap (6pcs)	9  M4 x 25mm Handle Screw (2pcs)
10  Handle (2pcs)		

ASSEMBLY TOOLS REQUIRED (NOT INCLUDED)



PLEASE BE CAREFUL DO NOT DAMAGE THE HOLE POSITION WHEN YOU USE POWER TOOLS !

STEP 1:

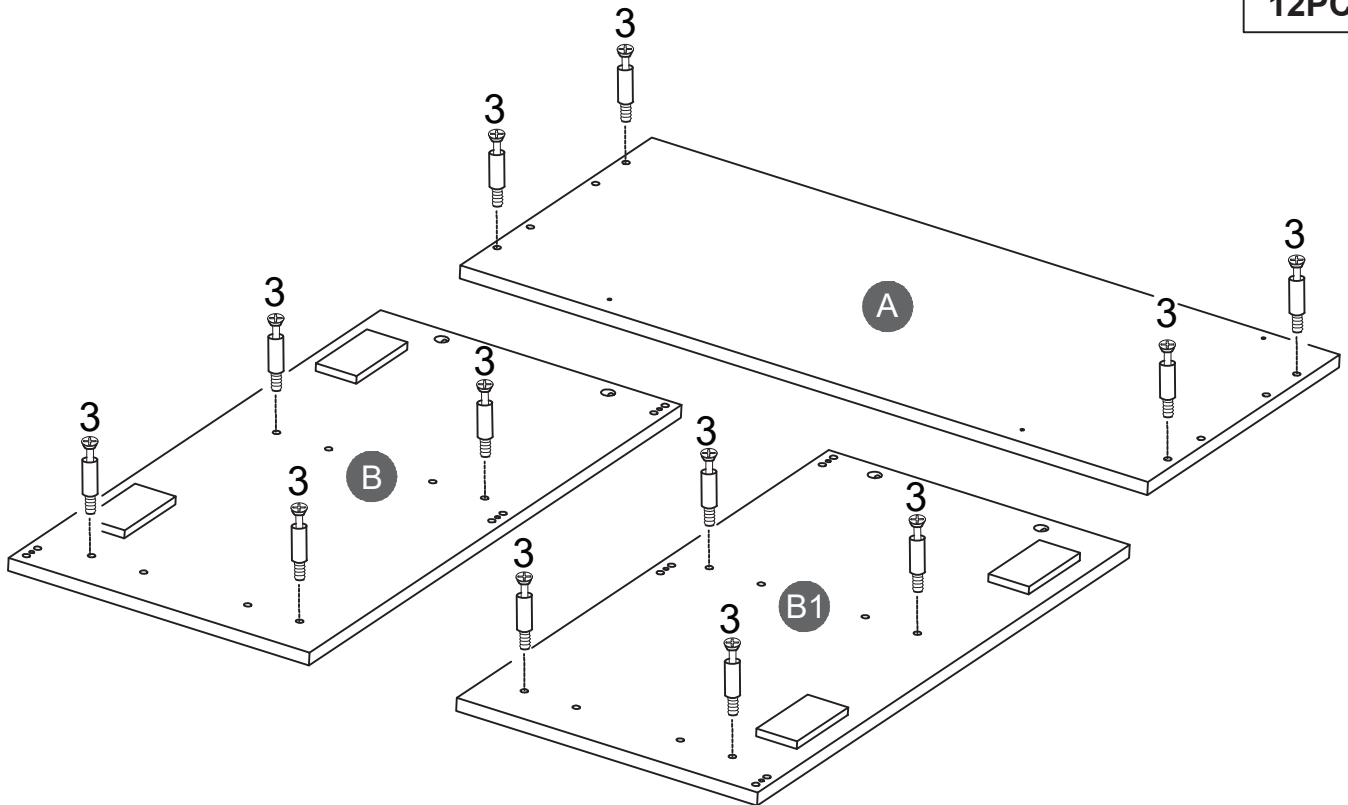


1



20PCS

STEP 2:

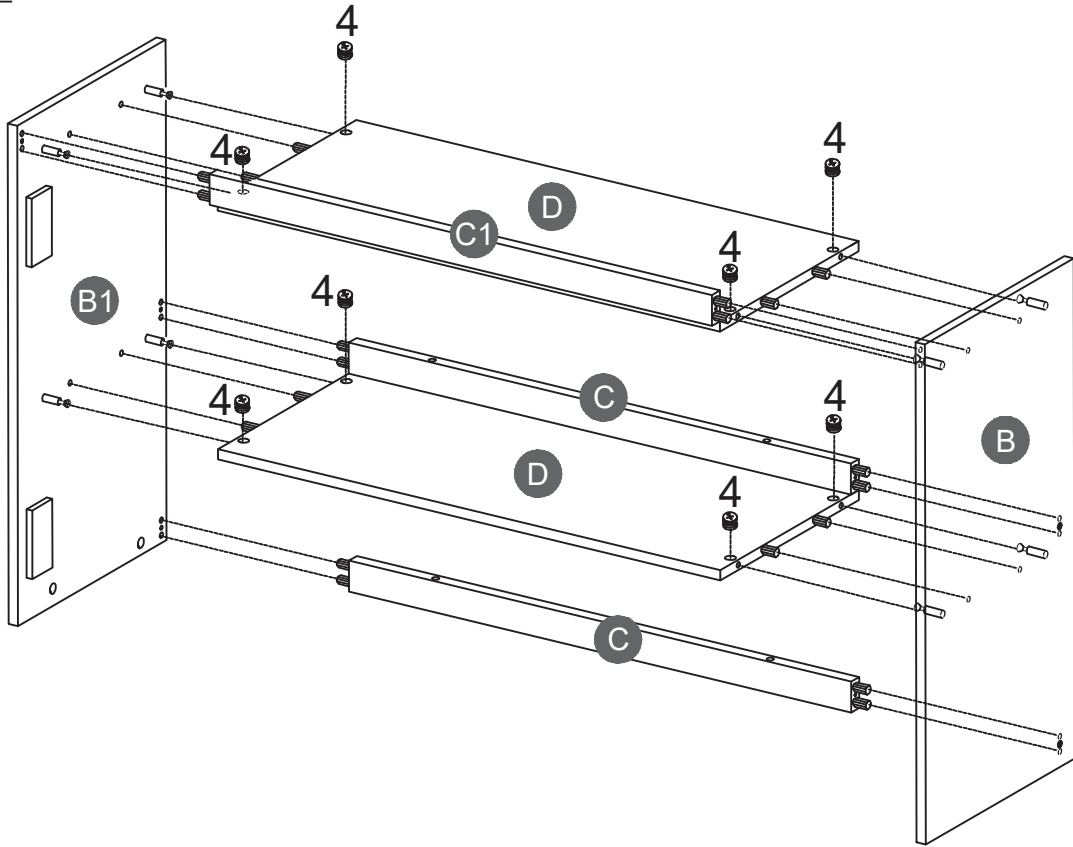


3



12PCS

STEP 3:

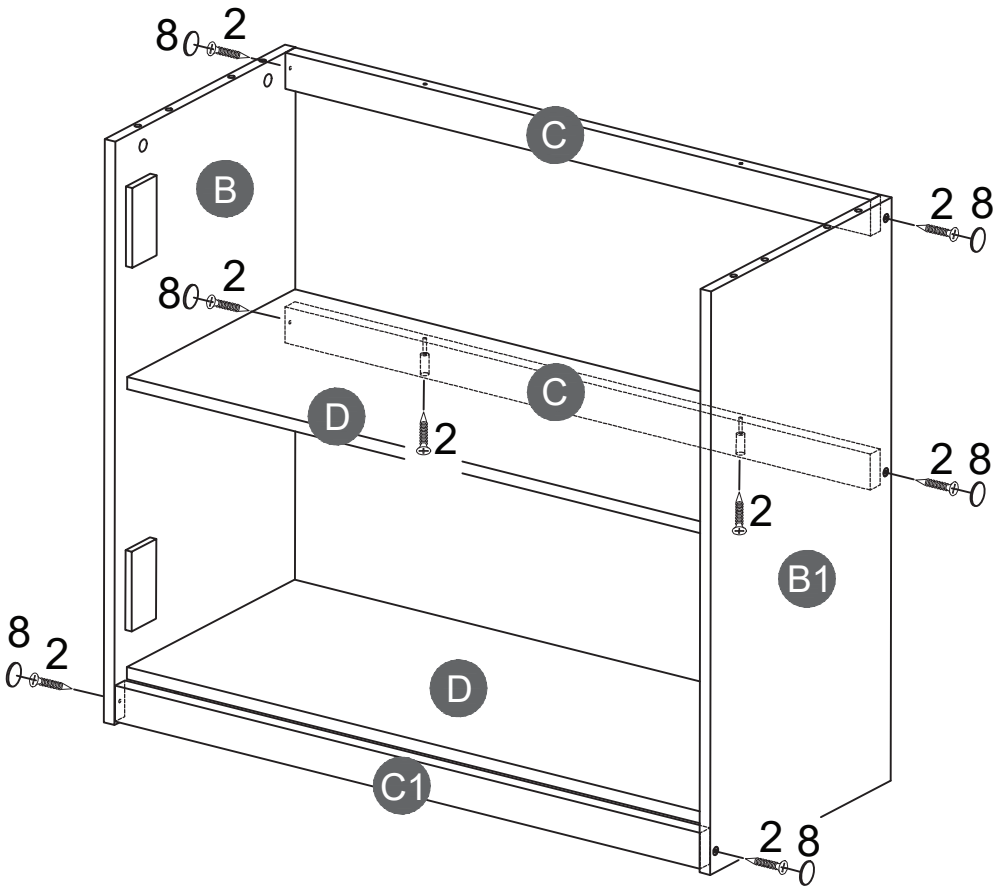


4



8PCS

STEP 4:



2

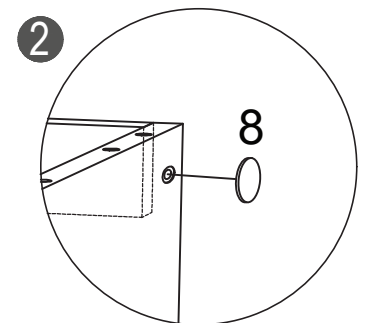
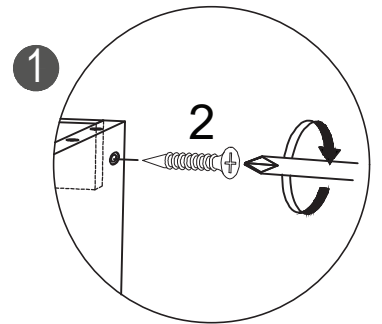


8PCS

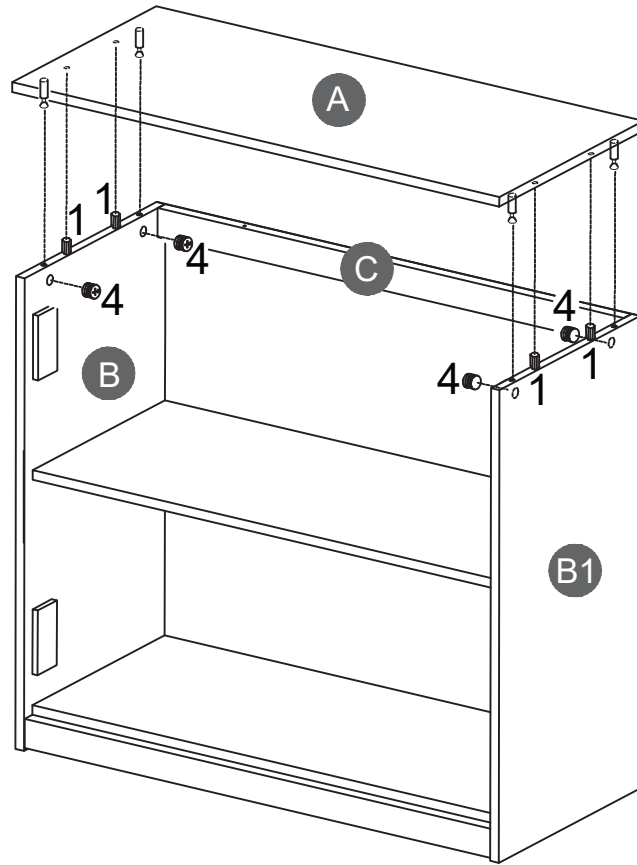
8





6PCS

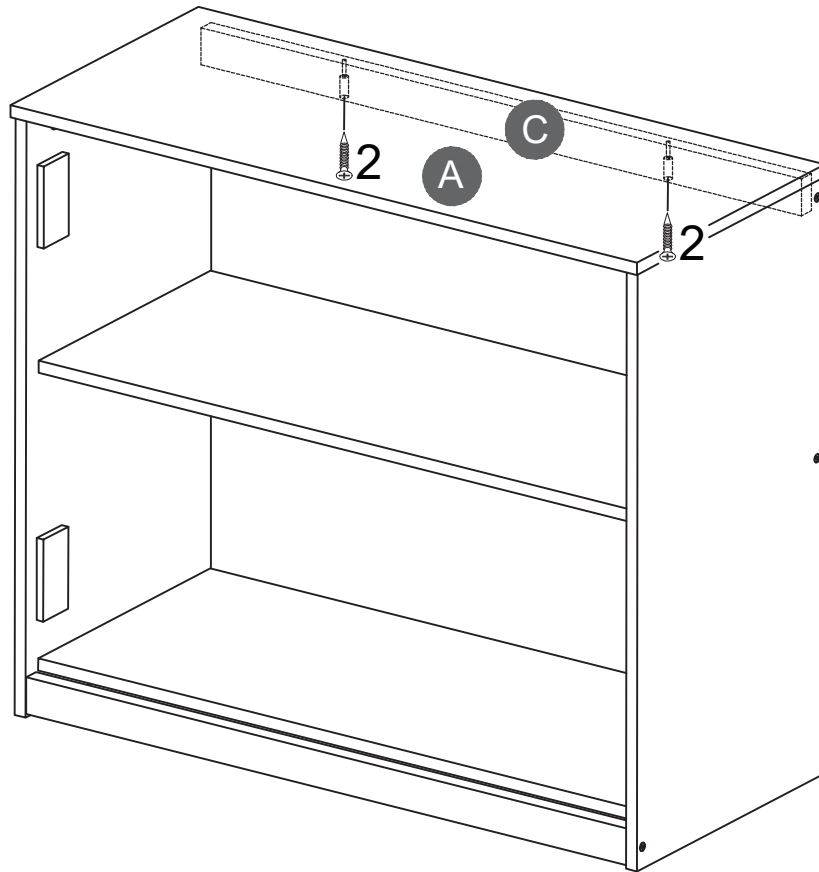



STEP 5:



1		4	
4PCS		4PCS	

STEP 6:



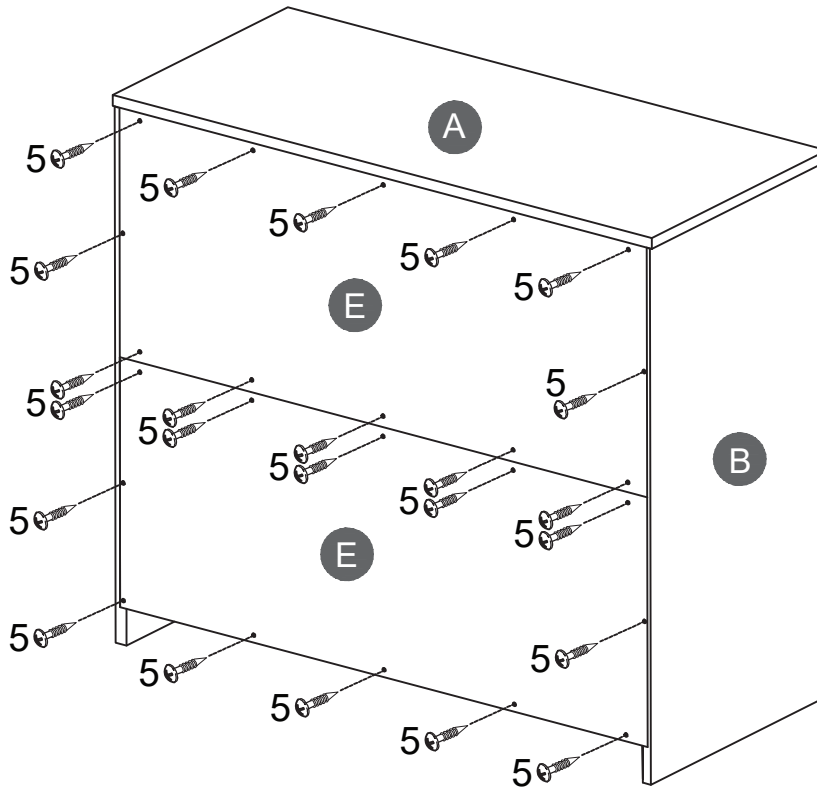
2	
2PCS	

STEP 7:

5



24PCS



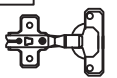
STEP 8:

6



24PCS

7



4PCS

9

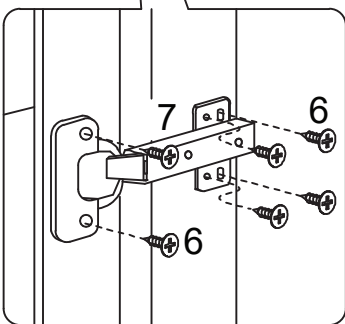
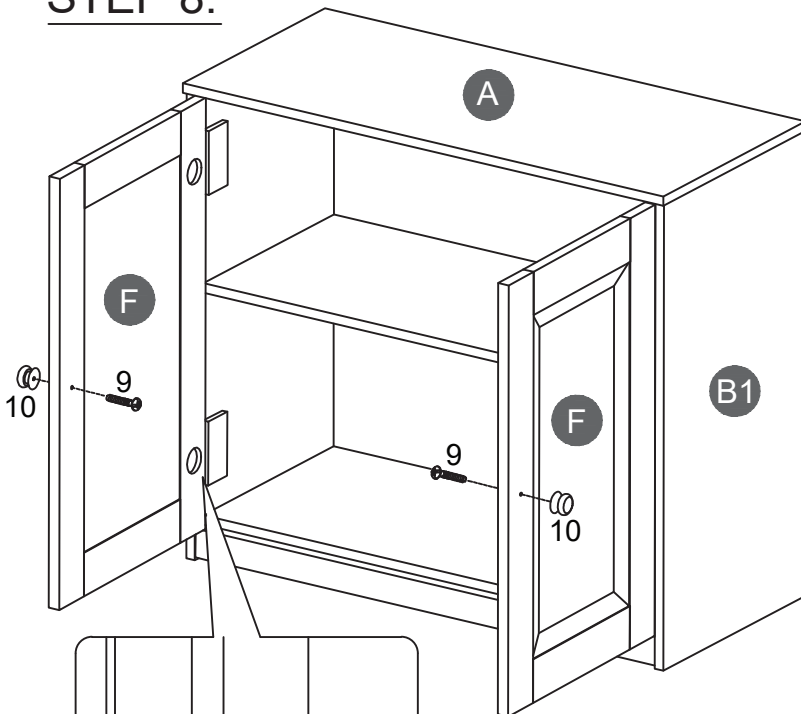


2PCS

10



2PCS



x 4

