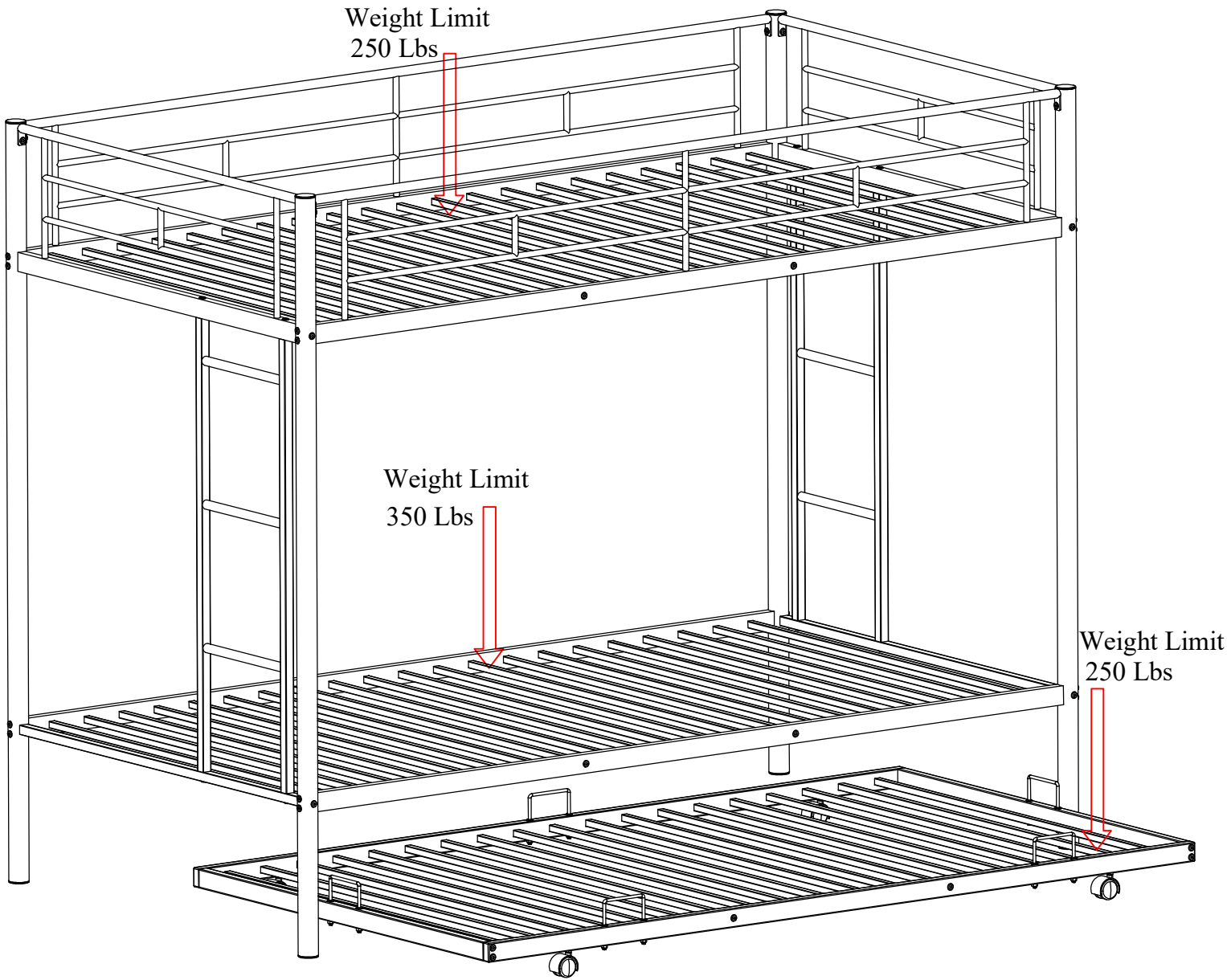


BUNK BED WITH TRUNDLE ASSEMBLY INSTRUCTIONS



BUNK BED WITH TRUNDLE ASSEMBLY INSTRUCTIONS

SAFETY WARNINGS AND GENERAL NOTES:

1. Follow the information on the warnings on the bunk bed end structure and on the carton. Do not remove the warning label from the bed.
2. Always use the recommended size mattress on mattress support, or both, to help prevent the likelihood of entrapment or falls.
3. Do not allow children under 6 years of age to use the upper bunk.
4. Periodically check and ensure the guardrail, ladder and other components are in their proper position, free from damage, and all connectors are tight.
5. Do not allow horseplay on or under beds.
6. Always prohibit jumping on the bed.
7. Prohibit more than one person on upper bunk.
8. Always use the ladder for entering and leaving the upper bunk.
9. Do not use substitute parts. Contact the manufacturer or dealer for replacement parts.
10. Use of a night-tight may provide added safety precaution for a child using the upper bunk.
11. Always use guardrails on both long sides of the upper bunk.
12. If the bunk bed will be placed next to a wall, the guardrail that runs the full length of the bed should be placed against the wall to prevent entrapment between the bed and the wall.

The use of water or sleep flotation mattresses is prohibited.

13. **STRANGULATION HAZARD-** Never attach or hang items to any part of the bunk bed that are not designed for use with the bed; for example, but not limited to, hook, belts and jump ropes.

14. Keep these instructions for future reference.

15. We recommend assembling your bunk bed on the shipping carton to protect your floor or carpet.

16. Be certain all staples are out of the box before beginning assembly on the shipping carton.

17. **USE ONLY MATTRESSES WHICH ARE AS THE TABLE BELOW ON UPPER AND ON LOWER BUNKS.**

Upper bunk (bunk bed and tribed included)

Bed type	Length	Width	Thickness
Twin	74" – 75"	38 ½"	6" max

Lower bunk

Bed type	Length	Width	Thickness
Twin	74" – 75"	38 ½"	8"

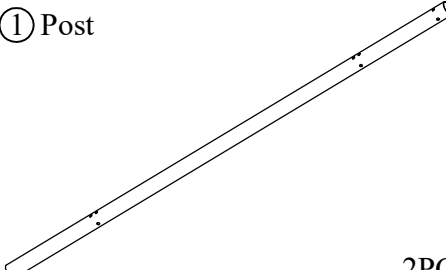
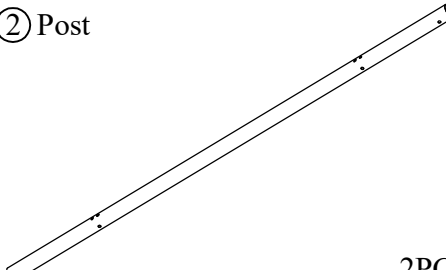
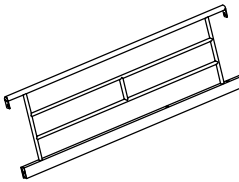
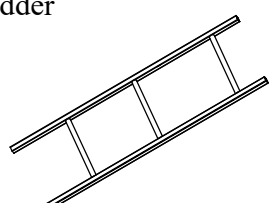
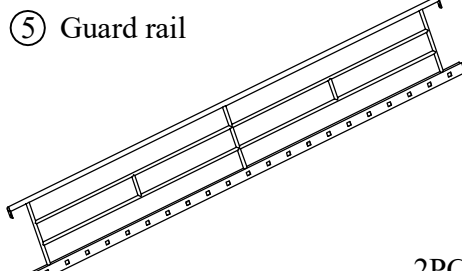
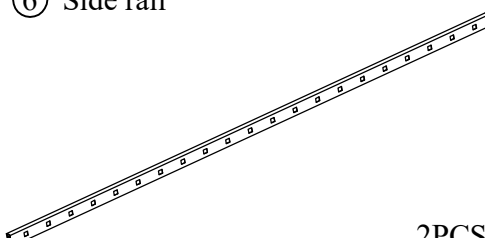
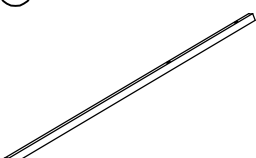
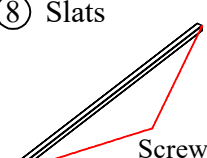
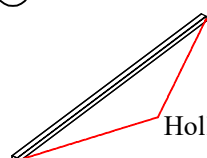
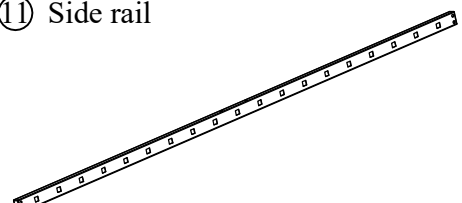

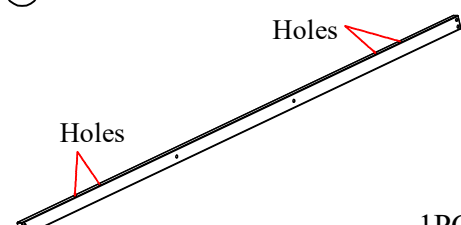
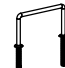
18. **SURFACE OF MATTRESS MUST BE AT LEAST 5" (127MM) BELOW THE UPPER EDGE OF GUARDRAILS.**

19. **Replacement Parts:**

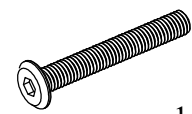
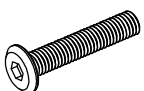
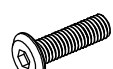

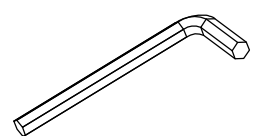
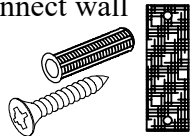

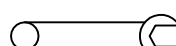
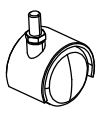
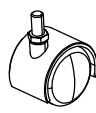
Replacement Parts, including additional guardrails, may be obtained from any of our dealers.

BUNK BED WITH TRUNDLE ASSEMBLY INSTRUCTIONS

PART LIST

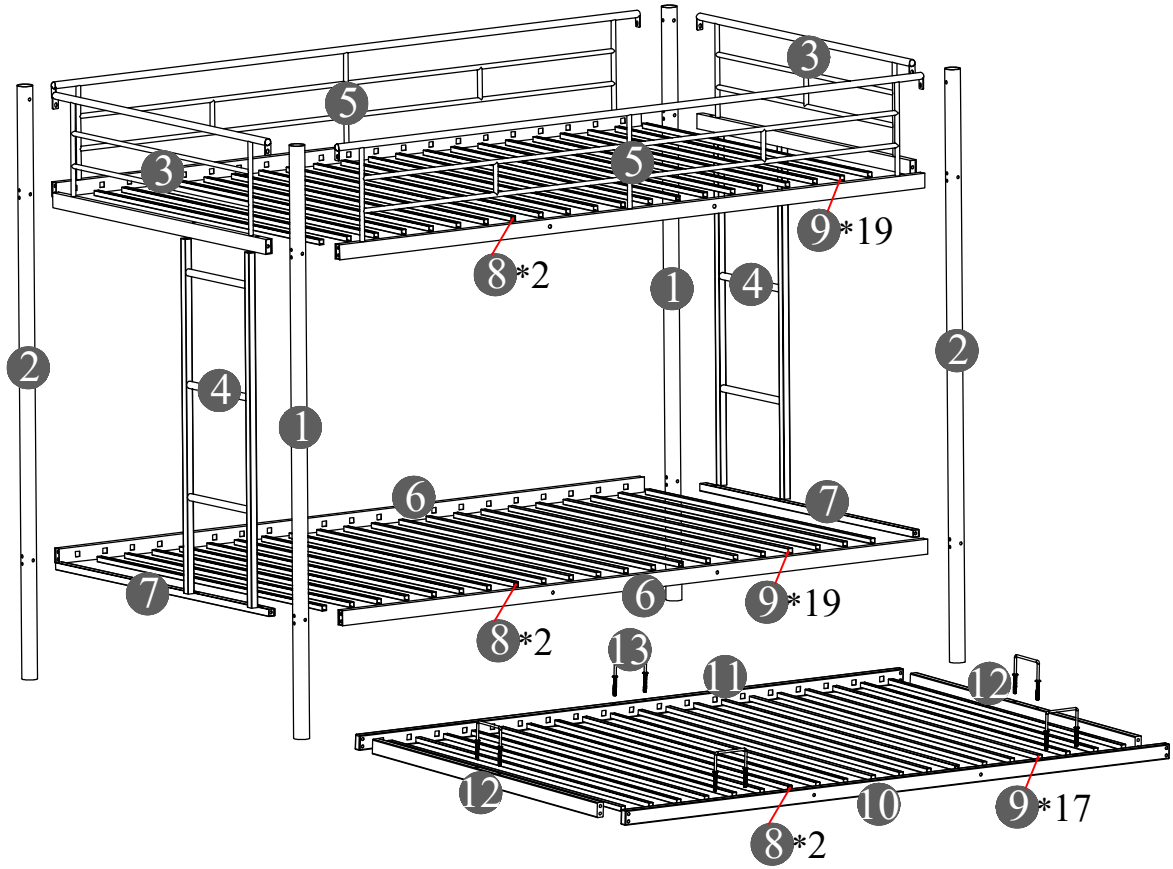
<p>① Post</p>  <p>2PCS</p>	<p>② Post</p>  <p>2PCS</p>	<p>③ End guard rail</p>  <p>2PCS</p>	
<p>④ Ladder</p>  <p>2PCS</p>	<p>⑤ Guard rail</p>  <p>2PCS</p>	<p>⑥ Side rail</p>  <p>2PCS</p>	
<p>⑦ End rail</p>  <p>2PCS</p>	<p>⑧ Slats</p>  <p>Screw hole</p> <p>6PCS</p>	<p>⑨ Slats</p>  <p>Hollow</p> <p>55PCS</p>	
<p>⑪ Side rail</p>  <p>1PC</p>		<p>⑫ End rail</p>  <p>2PCS</p>	<p>⑩ Side rail</p>  <p>Holes</p> <p>1PC</p>
		<p>⑬ Handle</p>  <p>5PCS</p>	

HARDWARE LIST

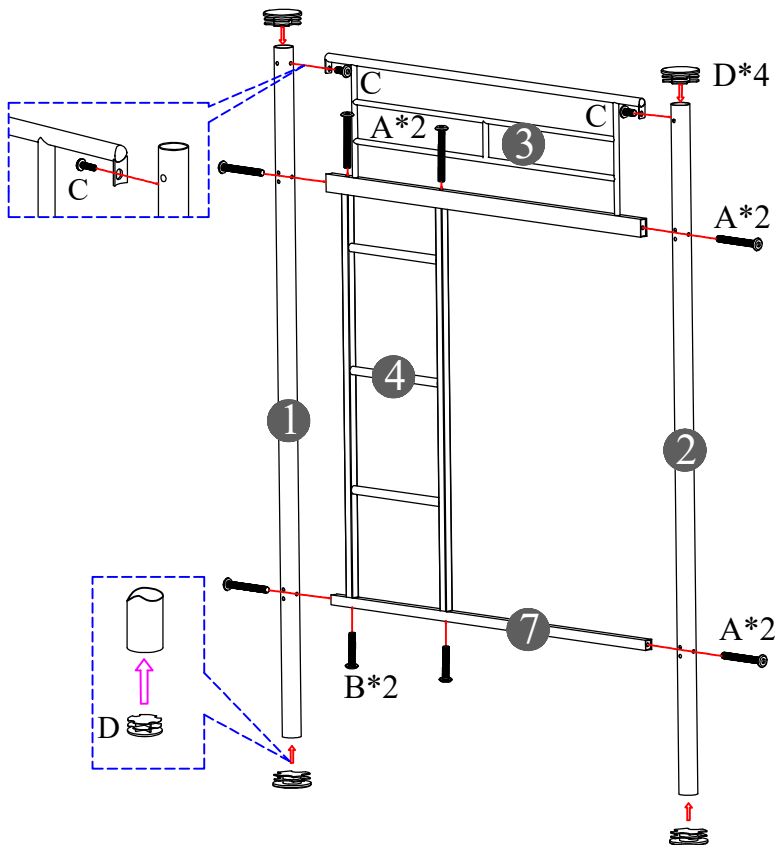
<p>Ⓐ Bolts</p>  <p>1/4"*60 28PCS</p>	<p>Ⓑ Bolts</p>  <p>1/4"*35 12PCS</p>	<p>Ⓒ Bolts</p>  <p>1/4"*15 20PCS</p>	<p>Ⓓ End cap</p>  <p>Ø42 8PCS</p>
<p>Ⓔ Allen key</p>  <p>4*59 1PC</p>	<p>Ⓕ Connect wall</p>  <p>1/4*40 2 SET</p>	<p>Ⓖ Hex nut</p>  <p>1/4"*5 10PCS</p>	
<p>Ⓖ Wrench</p>  <p>1PC</p>	<p>Ⓖ Locking Caster</p>  <p>2PCS</p>	<p>Ⓖ Caster</p>  <p>2PCS</p>	

BUNK BED WITH TRUNDLE ASSEMBLY INSTRUCTIONS

DETAIL VIEW



STEP 1 : Following below illustration Assembly Frame #1.
Using hardware #A, #B, #C, #D connect #1 , #2 with #3, #4, #7 to complete Frame #1.

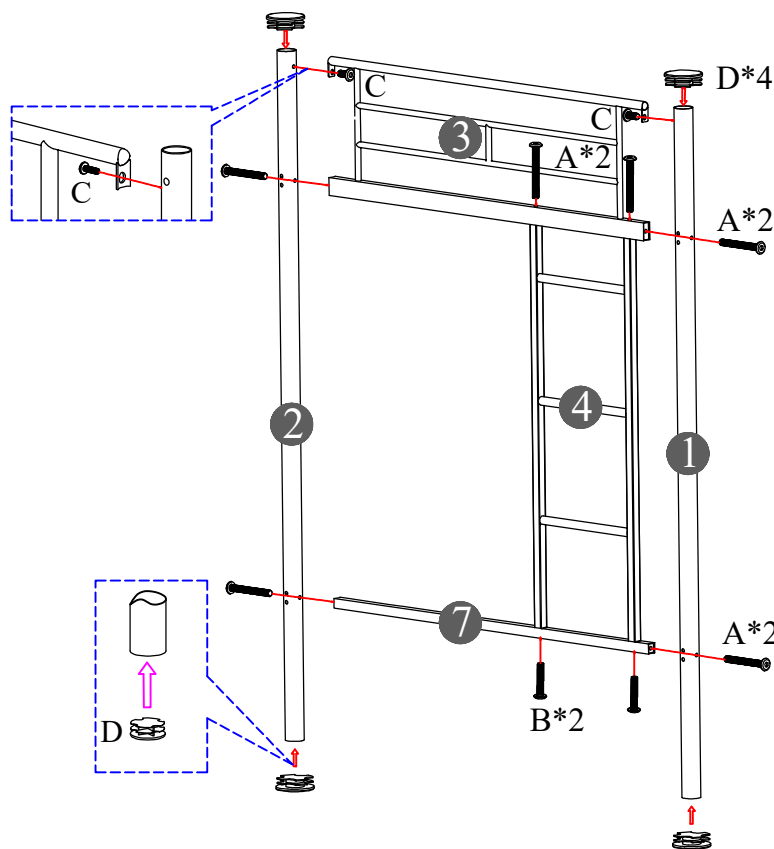


(A)	6PCS
	1/4*60
(B)	2PCS
	1/4*35
(C)	2PCS
	1/4*15
(D)	4PCS
	Ø42
(E)	1PC
	4*59

NOTE: In this step, DO NOT tighten any bolt until you connect all part together.

BUNK BED WITH TRUNDLE ASSEMBLY INSTRUCTIONS

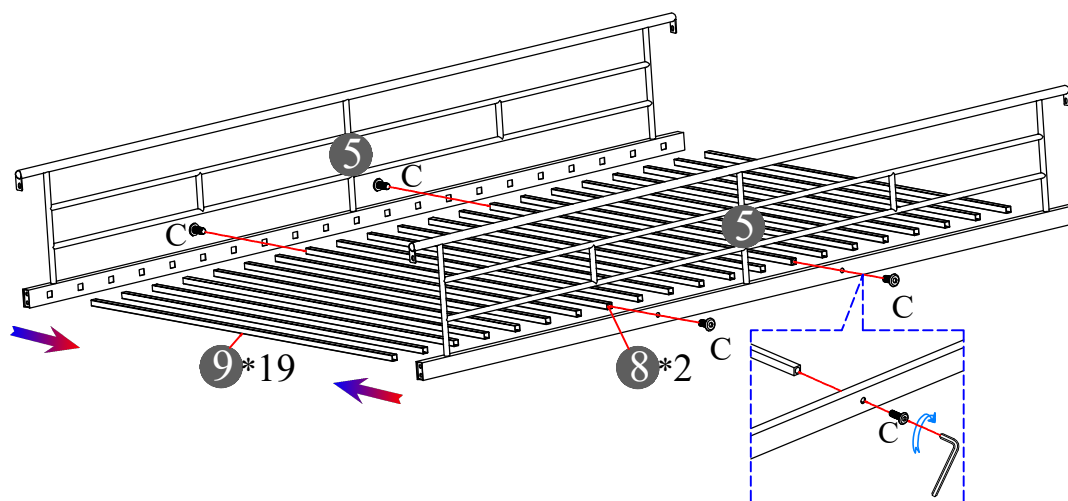
STEP 2 : Following below illustration Assembly Frame #2.
Using hardware #A, #B, #C, #D connect #1 , #2 with #3, #4, #7 to complete Frame #2.



(A)	6PCS
	1/4*60
(B)	2PCS
	1/4*35
(C)	2PCS
	1/4*15
(D)	4PCS
	Ø42
(E)	1PC
	4*59

NOTE: In this step, DO NOT tighten any bolt until you connect all part together.

STEP 3 : Following below illustration Assembly Frame #3.
Using hardware #C connect #5 with #8, #9 to complete Frame #3.

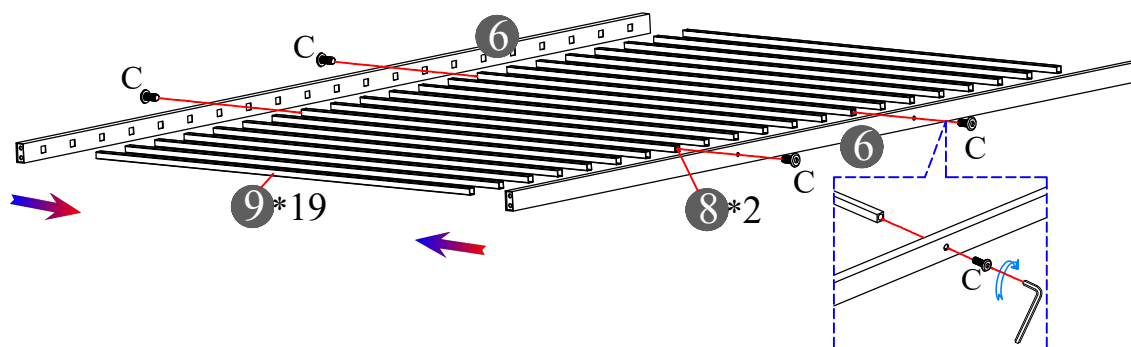




(C)	4PCS
	1/4*15
(E)	1PC
	4*59

NOTE: In this step, DO NOT tighten any bolt until you connect all part together.

BUNK BED WITH TRUNDLE ASSEMBLY INSTRUCTIONS

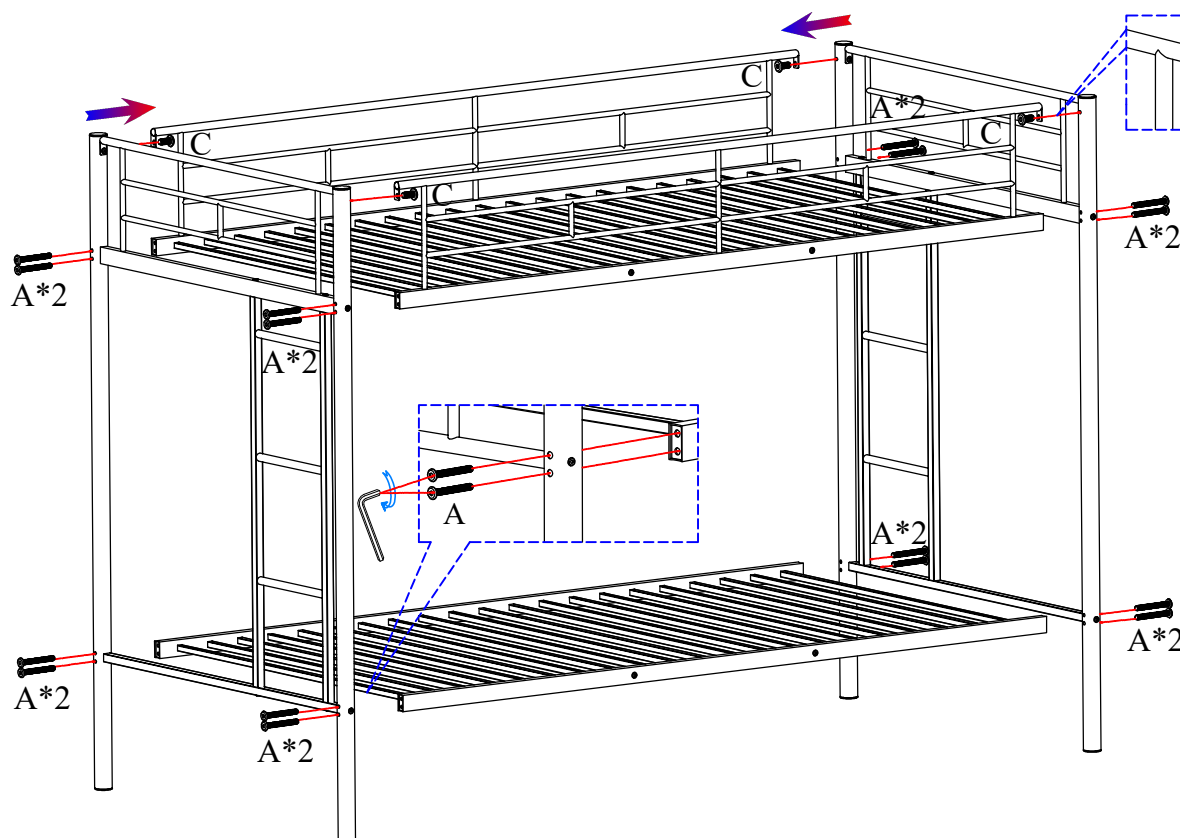
STEP 4 : Following below illustration Assembly Frame #4.
Using hardware #C connect #6 with #8, #9 to complete Frame #4.



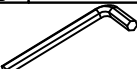


Ⓒ	4PCS
	1/4*15
Ⓔ	1PC
	4*59

NOTE: In this step, DO NOT tighten any bolt until you connect all part together.

STEP 5 : Following below illustration Assembly Frame #5.
Using hardware #A, #C connect Frame #1, #2 with Frame #3, 4 to complete Frame #5.



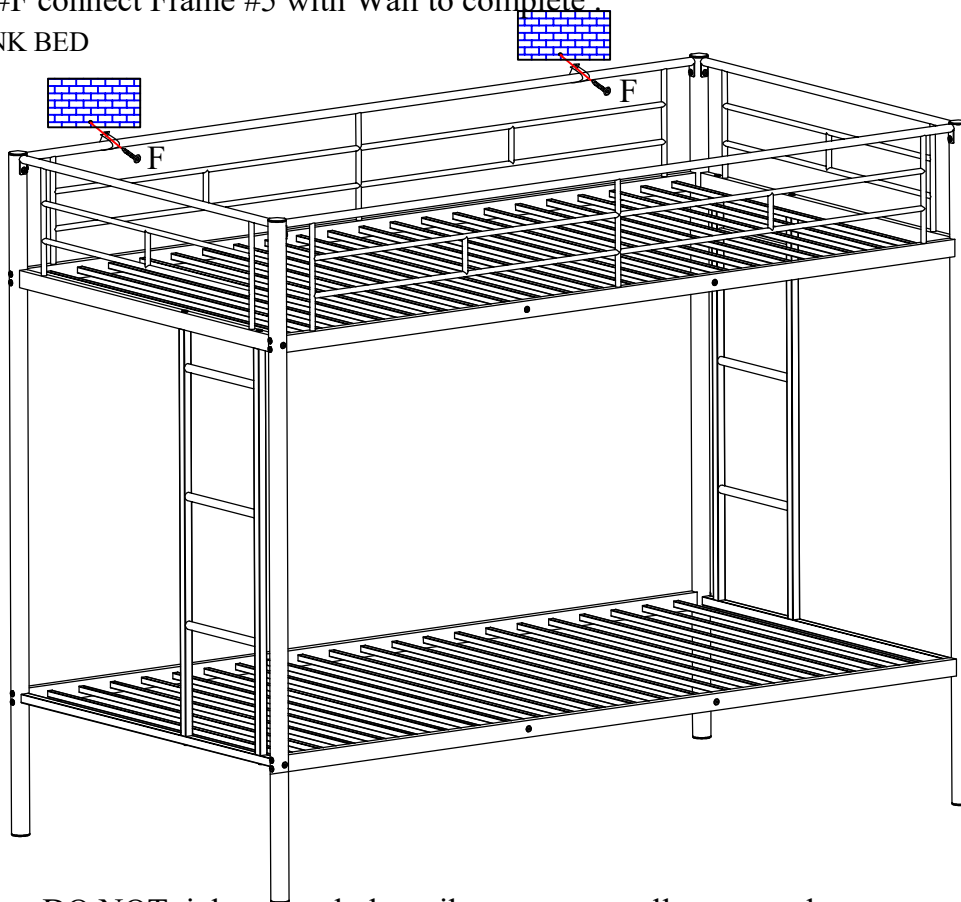
Ⓐ	16PCS
	1/4*60
Ⓒ	4PCS
	1/4*15
Ⓔ	1PC
	4*59

NOTE: In this step, DO NOT tighten any bolt until you connect all part together.

BUNK BED WITH TRUNDLE ASSEMBLY INSTRUCTIONS

STEP 6 : Following below illustration Assembly Frame #6.
Using hardware #F connect Frame #5 with Wall to complete.

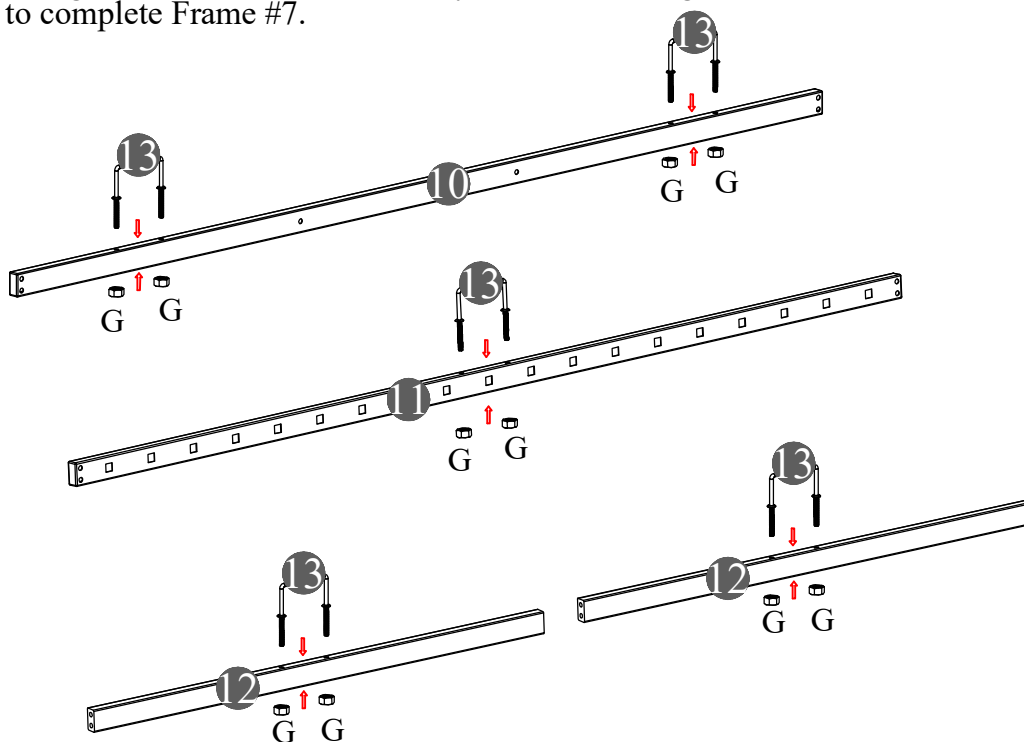
COMPLETED BUNK BED



NOTE: In this step, DO NOT tighten any bolt until you connect all part together.

F	2 SET
E	1PC
4*59	

STEP 7 : Following below illustration Assembly Frame #7. Using hardware #G connect #10, #11, #12 with #13 to complete Frame #7.

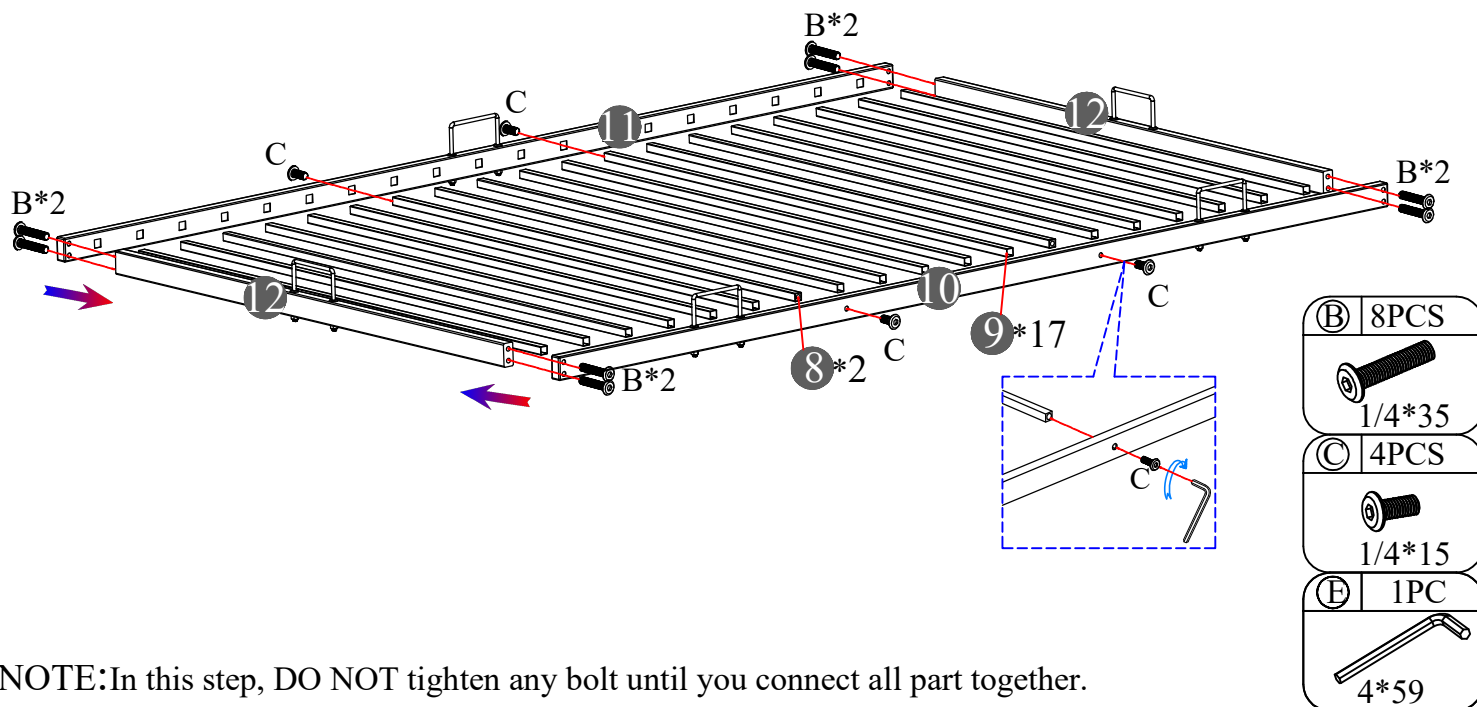


G	10PCS
1/4*5	
H	1PC

NOTE: In this step, DO NOT tighten any bolt until you connect all part together.

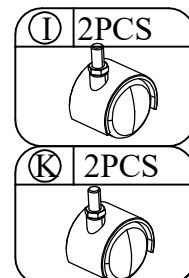
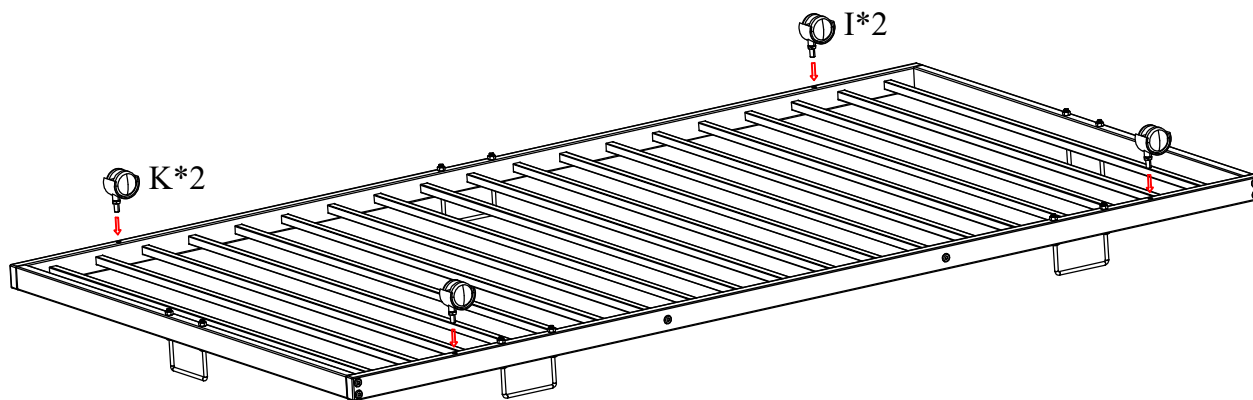
BUNK BED WITH TRUNDLE ASSEMBLY INSTRUCTIONS

STEP 8 : Following below illustration Assembly Frame #8.
Using hardware #B, #C connect #10,#11 with #8, #9, #12 to complete Frame #8.



NOTE:In this step, DO NOT tighten any bolt until you connect all part together.

STEP 9 : Following below illustration Assembly Frame #9.
Using hardware #I, #K connect with Frame #8 to complete.



NOTE: Tighten all step before using. Thank you