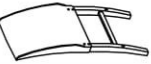


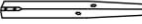








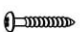



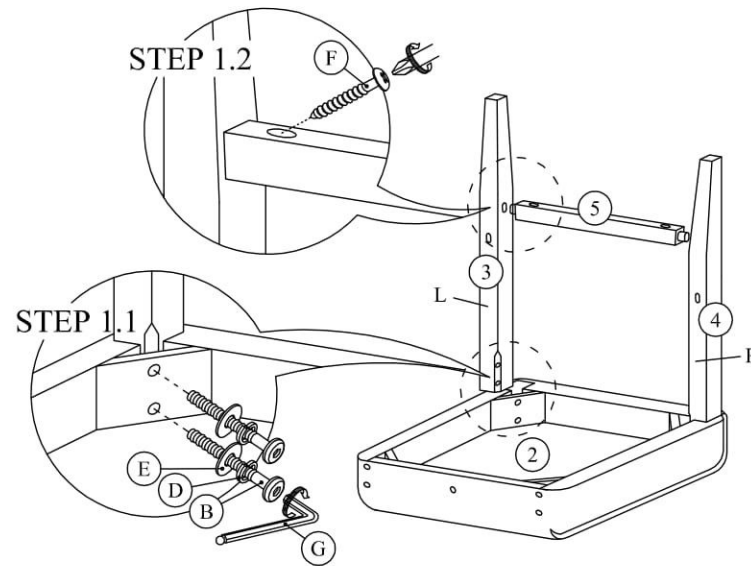
ASSEMBLY INSTRUCTION

COUNTER CHAIR

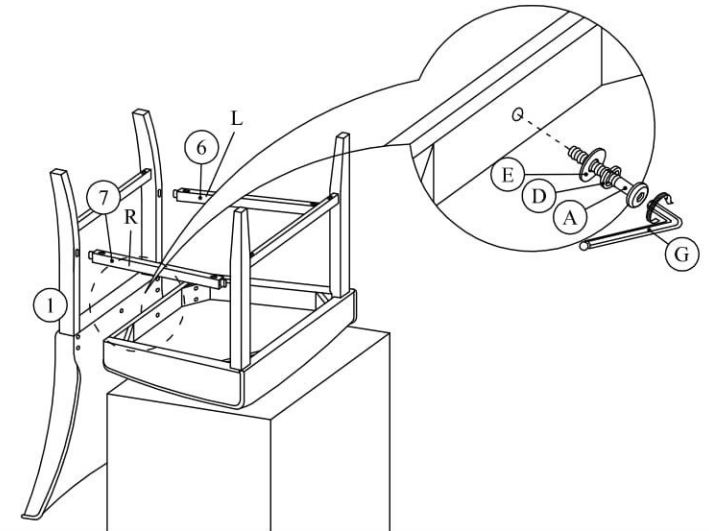
NO	PART LIST	QTY
1	 BACK REST	4PCS
2	 CUSHION SEAT	4PCS
3	 LEG (LEFT)	4PCS
4	 LEG (RIGHT)	4PCS
5	 STRETCHER (FRONT)	4PCS
6	 STRETCHER (LEFT)	4PCS
7	 STRETCHER (RIGHT)	4PCS
NO	HARDWARE LIST	QTY
A	 JCBC SCREW M6 X 40	2PCS
B	 JCBC SCREW M6 X 60	8PCS
C	 JCBC SCREWS M6 x 80mm	8PCS
D	 SPRING WASHER M6 x 12mm	18PCS
E	 FLAT WASHER M6 x 19mm	18PCS
F	 PAN HEAD SCREW M4 X 38mm	12PCS
G	 L - KEY M4 X 100mm	1PC

There are total TWO (2) packs of hardware packs.
Each hardware pack includes the hardware for TWO (2) chair.

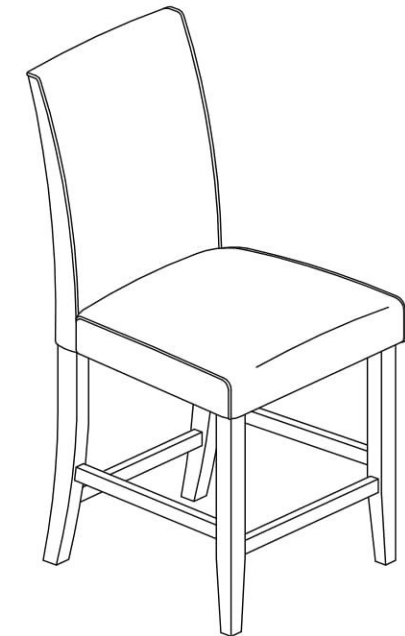
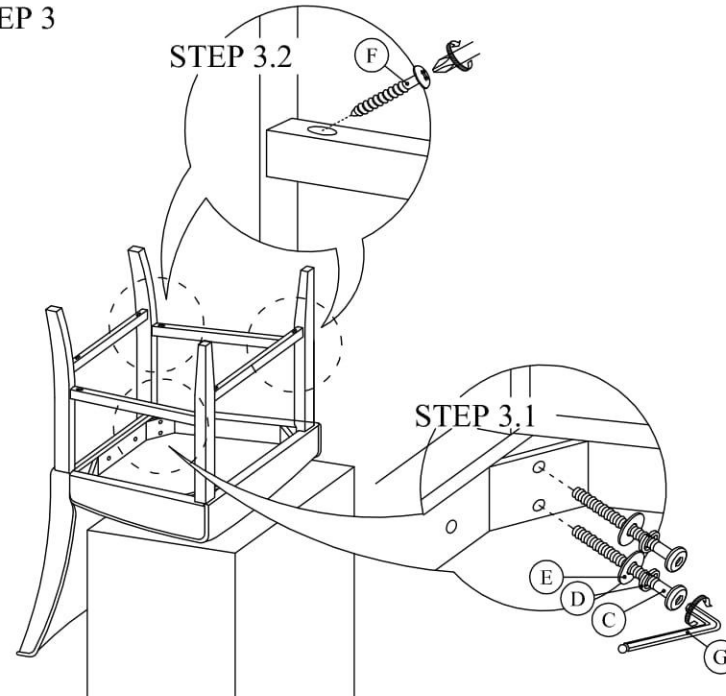
STEP 1



STEP 2



STEP 3



ASSEMBLY COMPLETED

NOTE: AFTER A FEW DAYS OF ASSEMBLY, IT WILL HAVE ACCLIMATIZED TO ENVIRONMENT. PLEASE TIGHTEN ALL HARDWARE. CHECK TIGHTNESS OF ALL SCREWS EVERY 6-8 WEEKS.