

ASSEMBLY INSTRUCTIONS



Fine Furniture for every stage of life

Counter Height Table

REVISION 0: 06/26/2011
REVISION 1: 09/19/2011
REVISION 2: 11/23/2020

PAGE 1 OF 7

ASSEMBLY INSTRUCTIONS

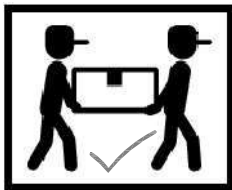
ASSEMBLY TIPS :

1. Remove hardware from box and sort by size.
2. Please check to see that all hardware and parts are present prior to start of assembly.
3. Please follow attached instructions in the same sequence as numbered to assure fast & easy assembly.



WARNING !

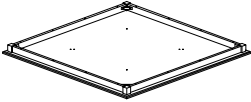
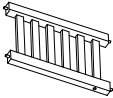
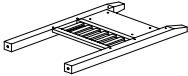
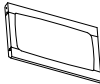
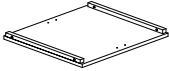
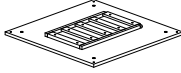
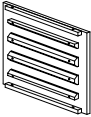
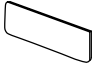
1. Don't attempt to repair or modify parts that are broken or defective. Please contact the store immediately.
2. This product is for home use only and not intended for commercial establishments.










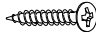

ASSEMBLY TIME

45 MINUTES

PARTS IDENTIFICATION

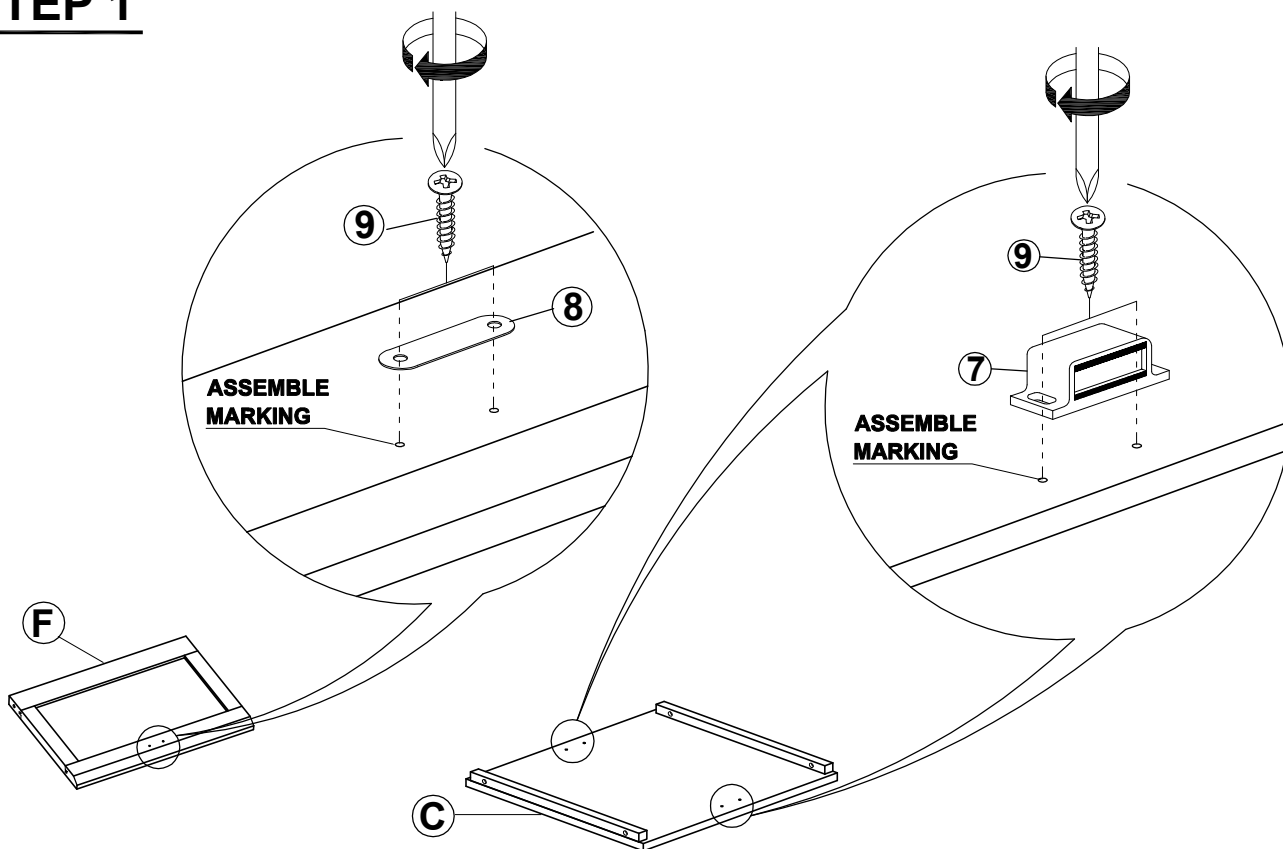
A	TOP		1PC	E	TRAY PANEL		2PCS
B	LEG FRAME		2PCS	F	DOOR WITH CUSHION PAD		2PCS
C	TOP PANEL		1PC	G	PANEL WITH GLASS HOLDER		1PC
D	BOTTOM PANEL		1PC	H	CUSHION PAD		2PCS

HARDWARE IDENTIFICATION

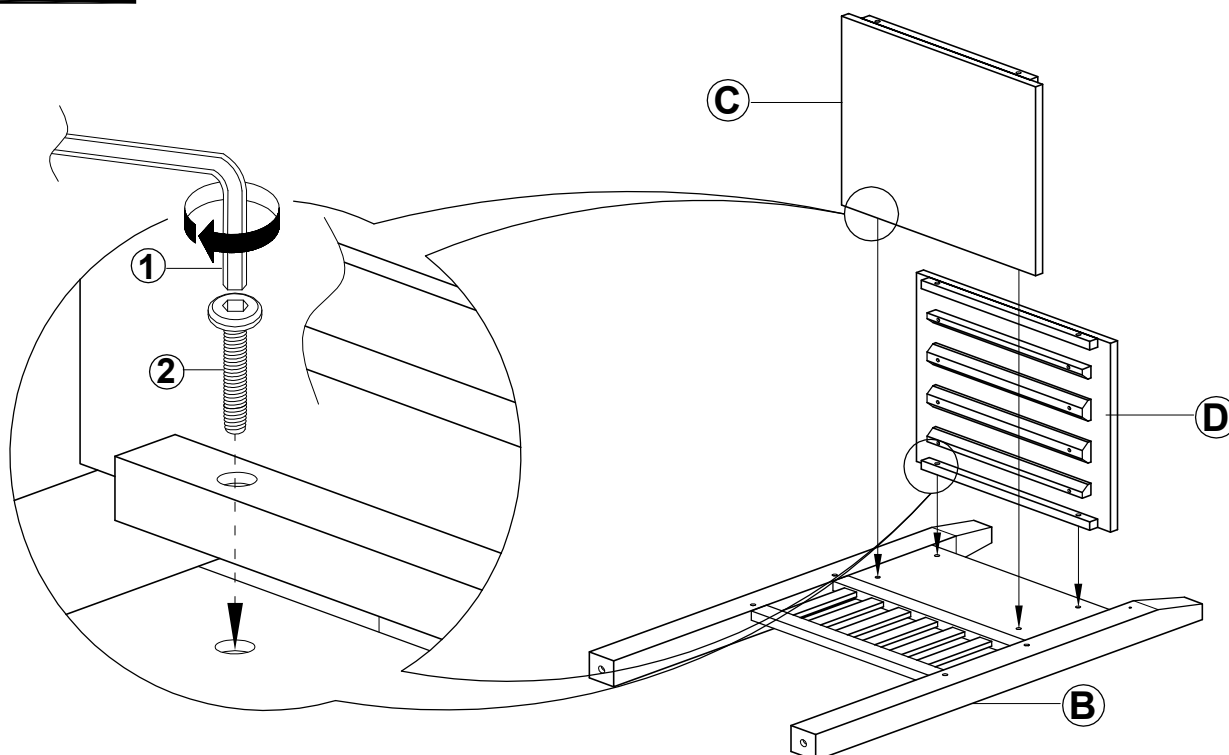
1	ALLEN WRENCH (M4 x 110mm - BLK)		1PC	6	WOOD DOWEL (M8 x 25mm)		2PCS
2	BOLT (M6 x 30mm - RBW)		12PCS	7	MAGNETIC CATCH (46mm x 16mm - BRW)		2PCS
3	HEX HEAD SCREW (M7 x 40mm - RBW)		4PCS	8	MAGNETIC CATCH PLATE (45mm x 12mm - SIL)		2PCS
4	FLAT WASHER (5/16" - RBW)		4PCS	9	FLAT HEAD SCREW (M3 x 12mm - RBW)		8PCS
5	METAL PIN (M5 x 16mm - ZB)		4PCS				

ASSEMBLY INSTRUCTIONS

STEP 1



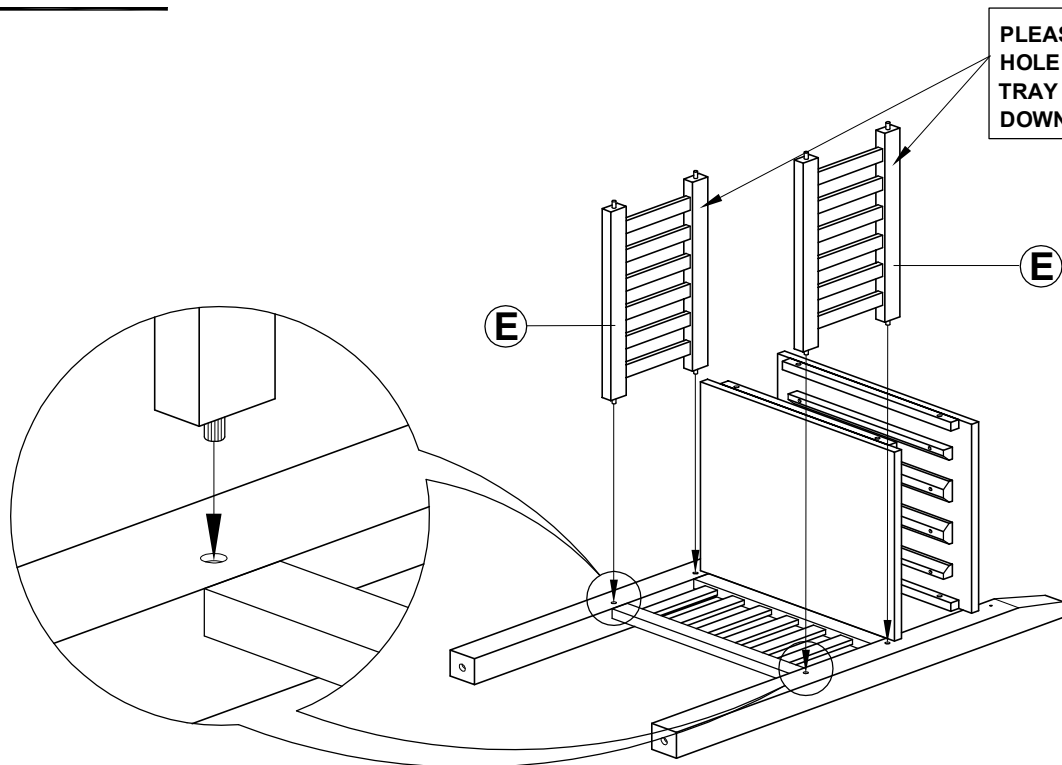
STEP 2



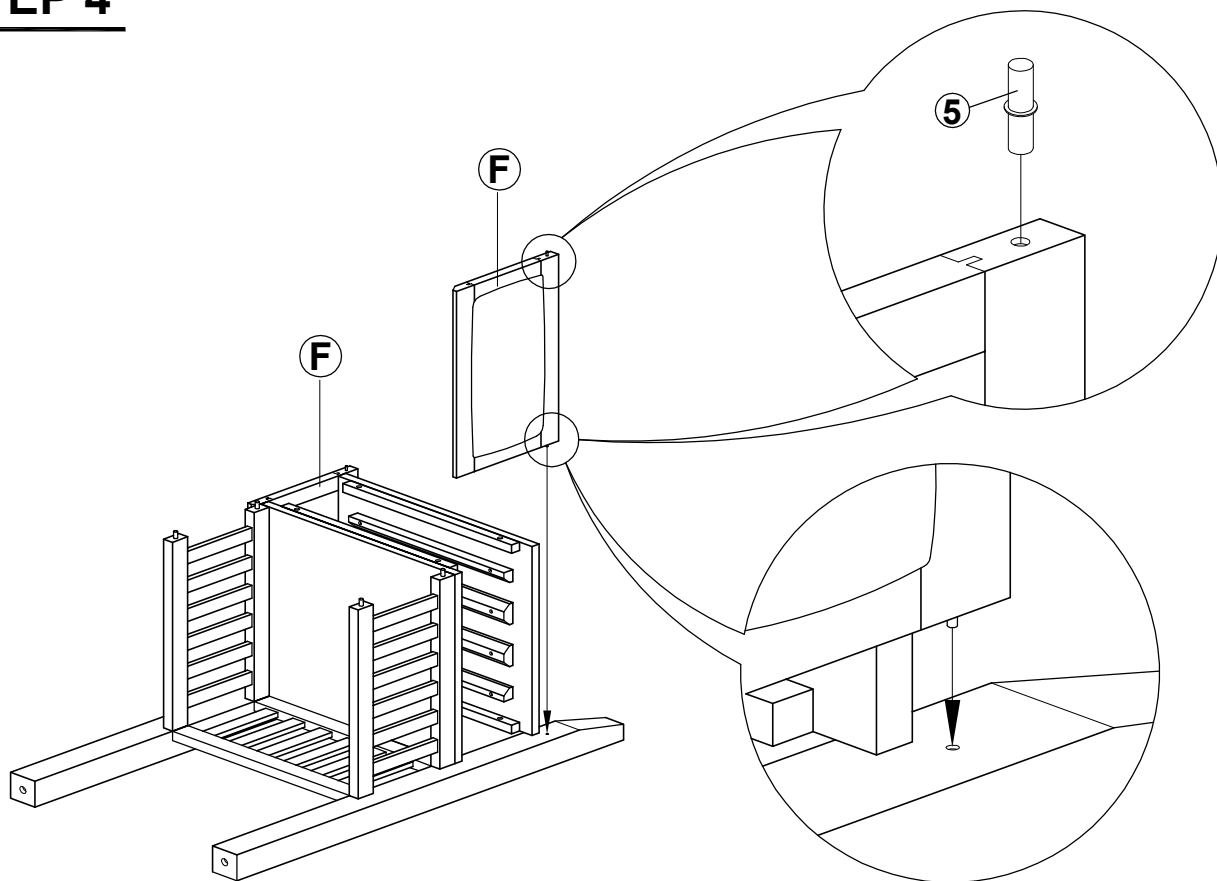
ASSEMBLY INSTRUCTIONS

STEP 3

PLEASE MAKE SURE THE HOLE UNDERNEATH THE TRAY PANEL IS FACING DOWN

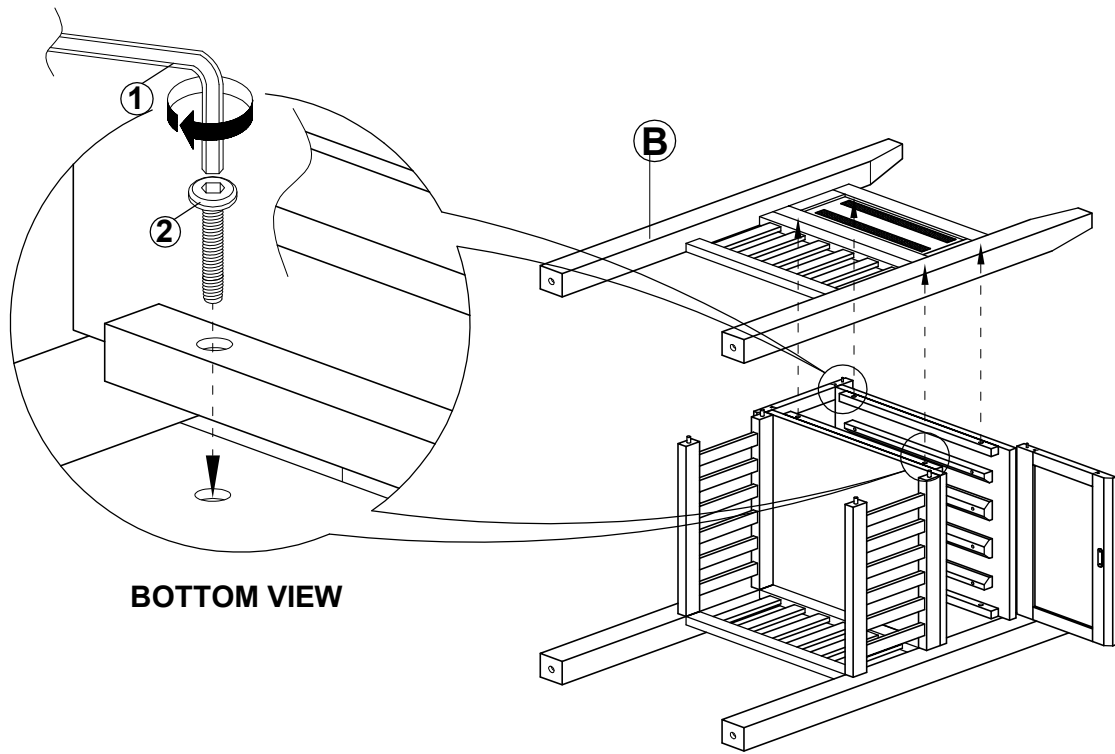


STEP 4



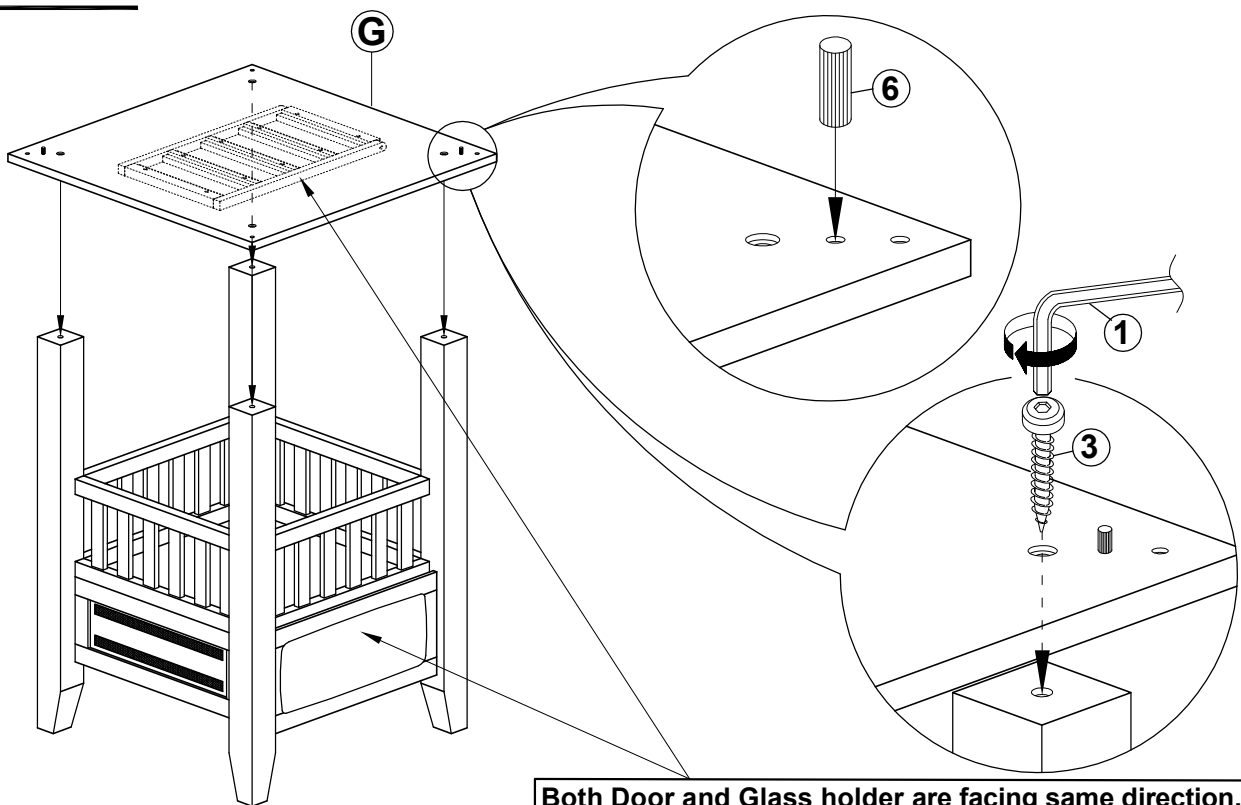
ASSEMBLY INSTRUCTIONS

STEP 5



BOTTOM VIEW

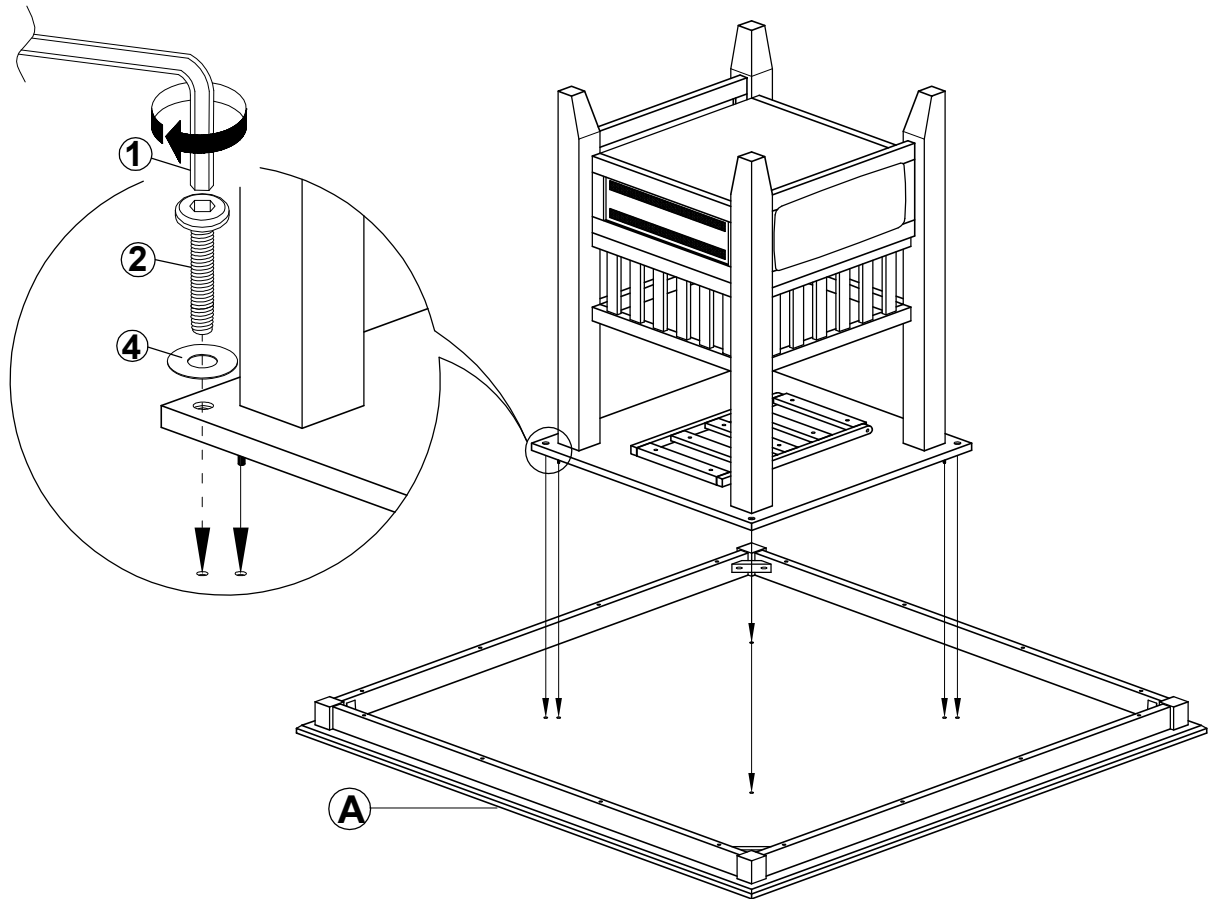
STEP 6



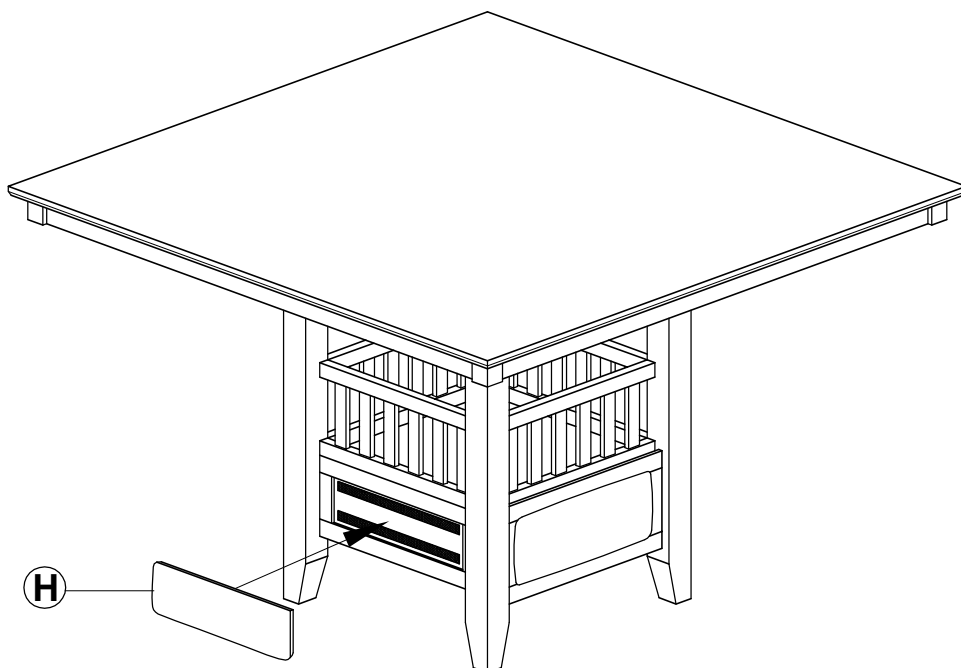
Both Door and Glass holder are facing same direction.

ASSEMBLY INSTRUCTIONS

STEP 7



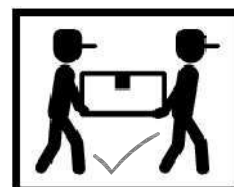
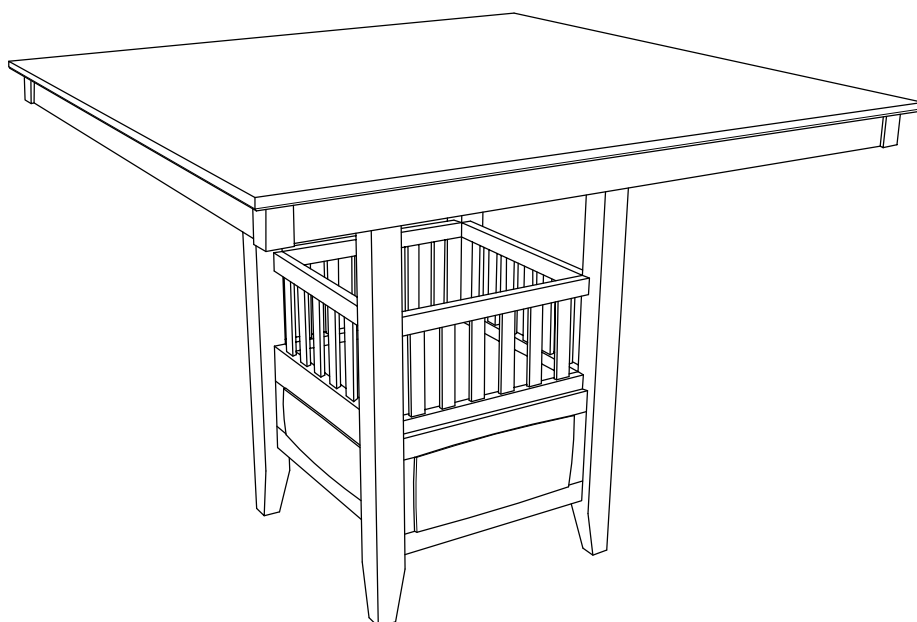
STEP 8

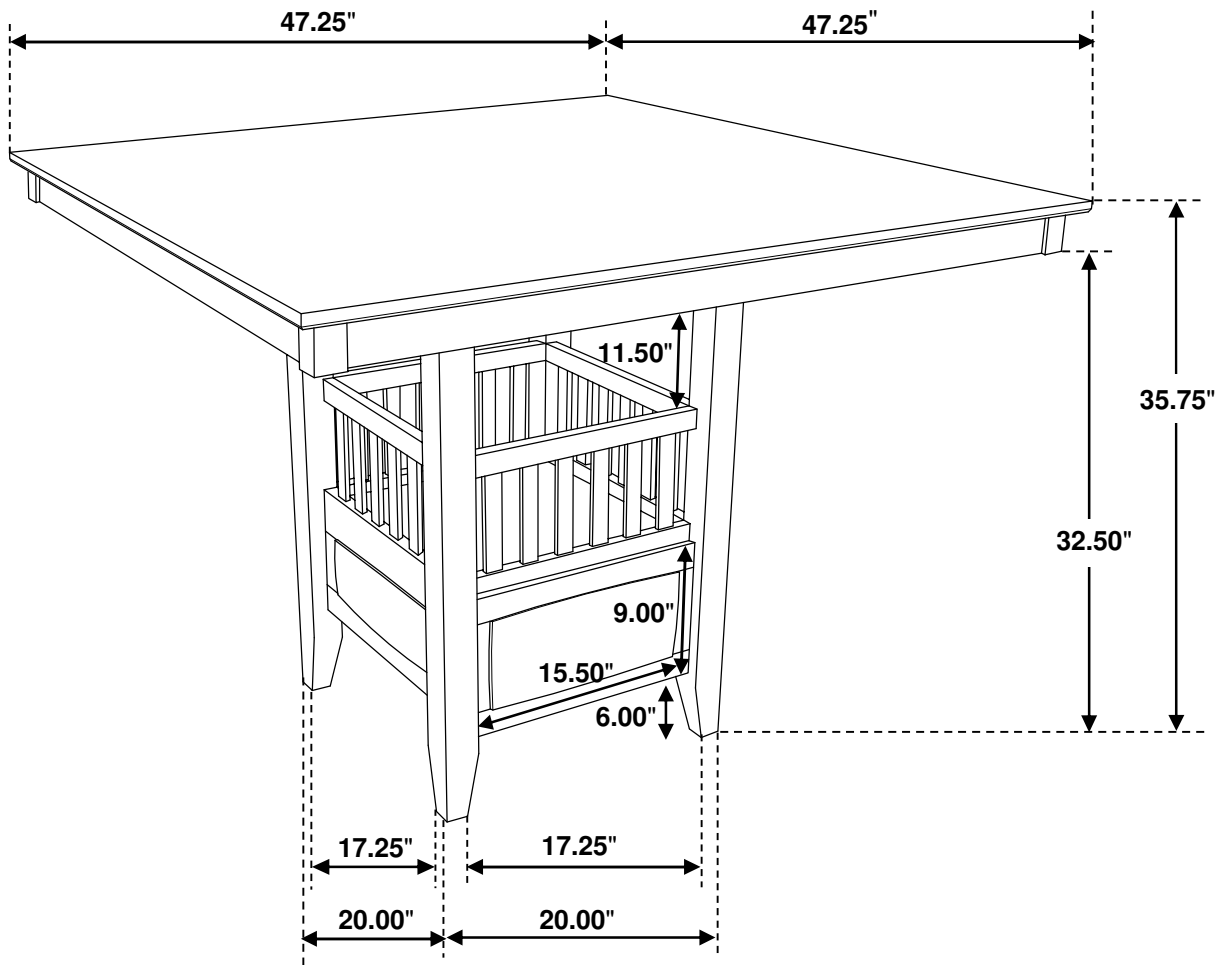


ASSEMBLY INSTRUCTIONS

STEP 9

COMPLETE





Note: Dimension tolerance $\pm 5\%$

ASSEMBLY INSTRUCTIONS



Fine Furniture for every stage of life

Counter Height Chair

REVISION 0: 06/26/2011
REVISION 1: 09/14/2011
REVISION 2: 04/25/2016
REVISION 3: 08/19/2020

ASSEMBLY INSTRUCTIONS

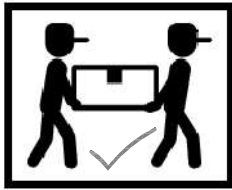
ASSEMBLY TIPS :

1. Remove hardware from box and sort by size.
2. Please check to see that all hardware and parts are present prior to start of assembly.
3. Please follow attached instructions in the same sequence as numbered to assure fast & easy assembly.



WARNING !

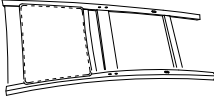
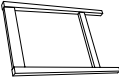
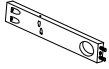

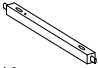
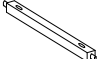
1. Don't attempt to repair or modify parts that are broken or defective. Please contact the store immediately.
2. This product is for home use only and not intended for commercial establishments.






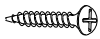
ASSEMBLY TIME

20 MINUTES

PARTS IDENTIFICATION

A	BACK FRAME		1PC
B	FRONT LEG FRAME		1PC
C	SIDE RAIL		2PCS
D	SEAT CUSHION		1PC
E1	RIGHT STRETCHER		1PC
F1	LEFT STRETCHER		1PC

HARDWARE IDENTIFICATION

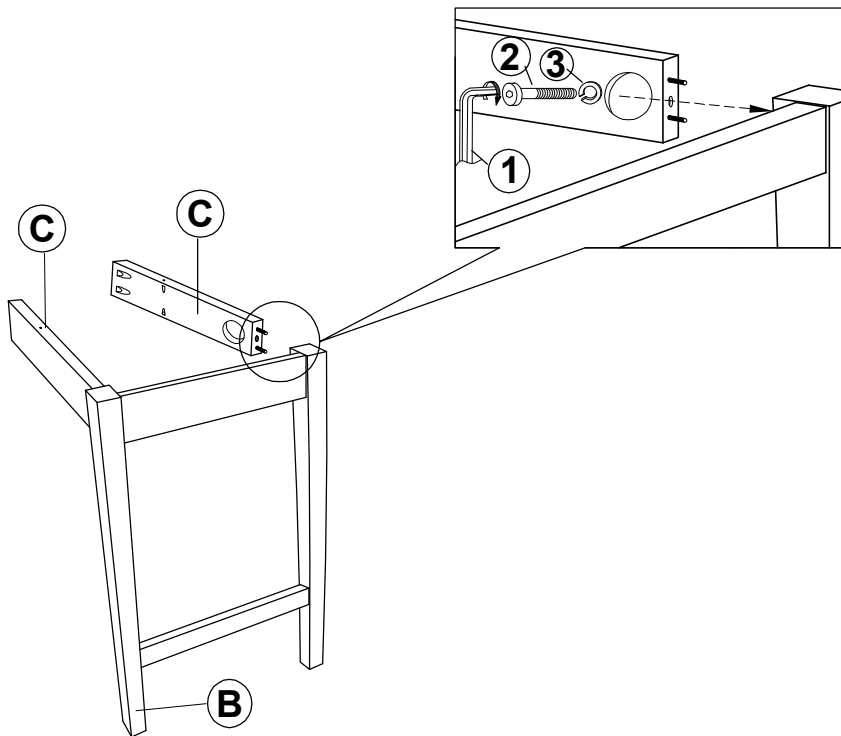
1	ALLEN WRENCH (M4 x 110MM - BLK)		1PC
2	BOLT (M6 x 45mm - RBW)		6PCS
3	LOCK WASHER (1/4" - BLK)		6PCS
4	PAN HEAD SCREW (#8 x 1 1/4" - BLK)		7PCS

NOTE :

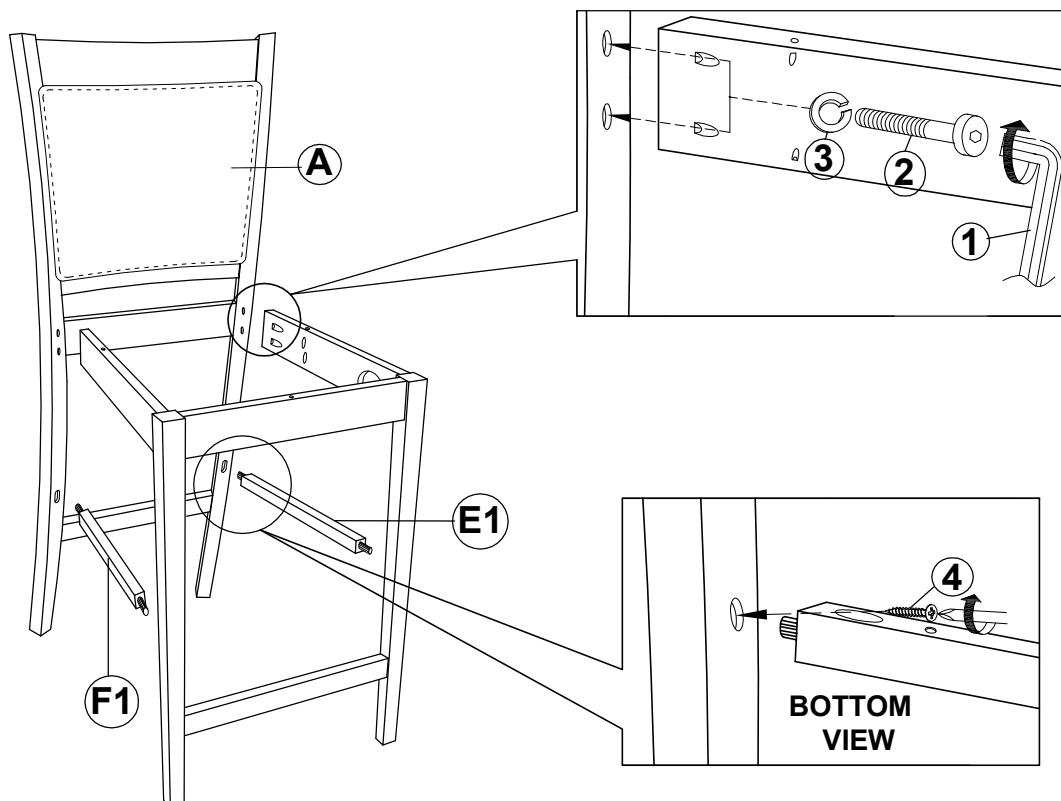
Phillips head screw driver is required in the assembly process ; However, manufacturer not provide this item. Quantities shown are for one chair.

ASSEMBLY INSTRUCTIONS

STEP 1

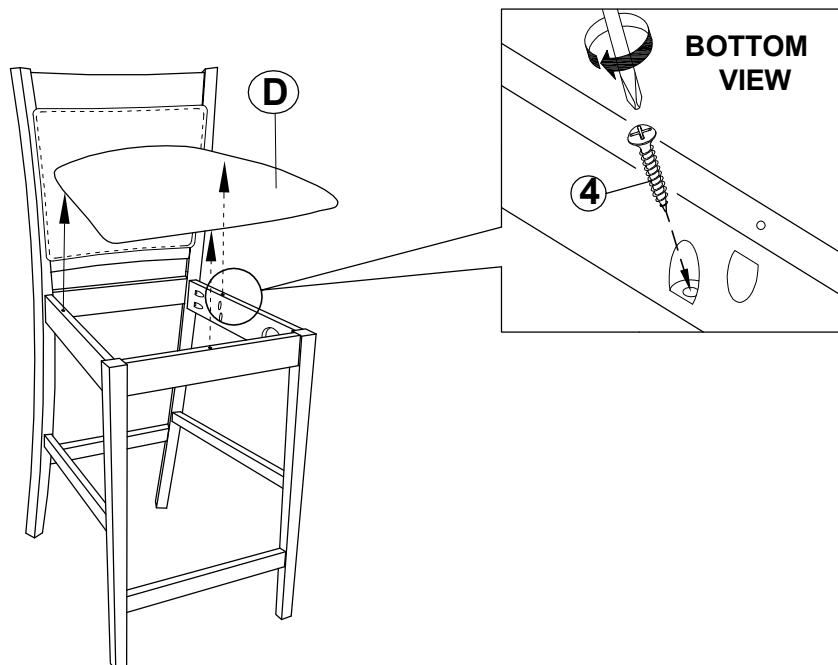


STEP 2

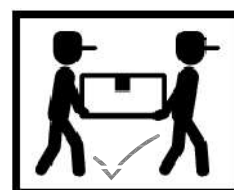
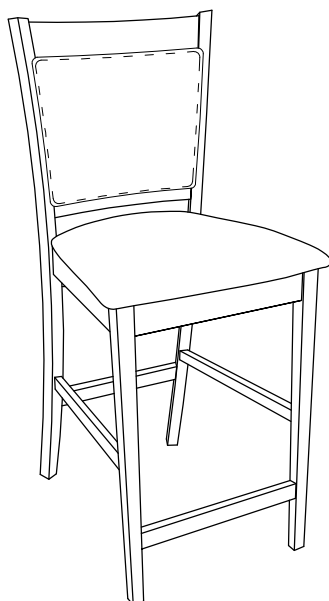


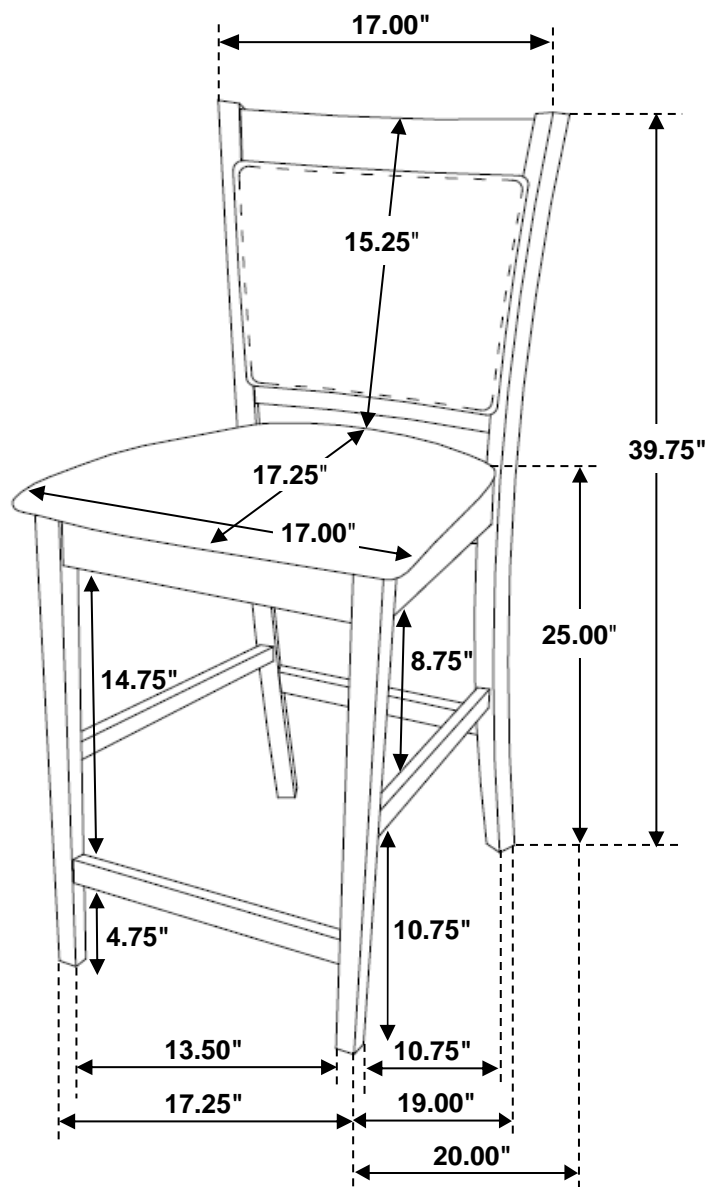
ASSEMBLY INSTRUCTIONS

STEP 3



STEP 4 COMPLETE





Note: Dimension tolerance $\pm 5\%$