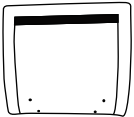
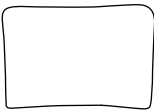
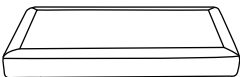

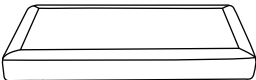

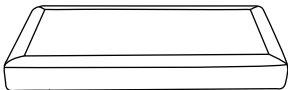


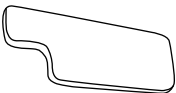



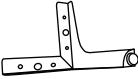


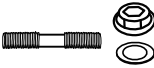
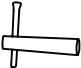


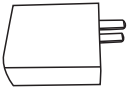
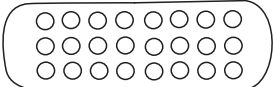
Assembly Instructions

Parts List

A		Back frame	4
B		Back cushion	4
C		Middle seat	1
D		Cushion	2
E		Left seat	1
F		Left cushion	1
G		Right seat	1
H		Right cushion	1
I		Left arm	1
J		Right arm	1

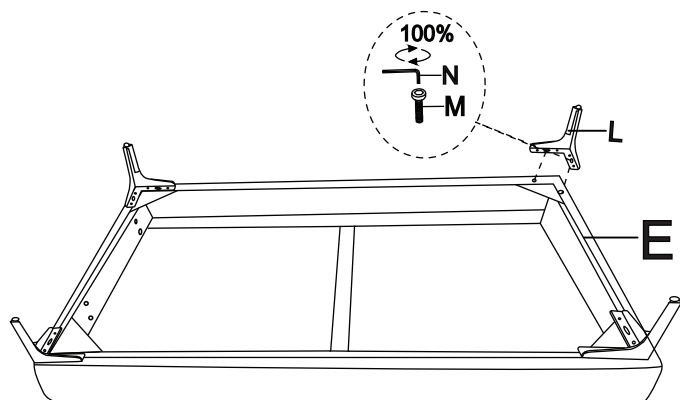
Assembly Instructions

Parts List

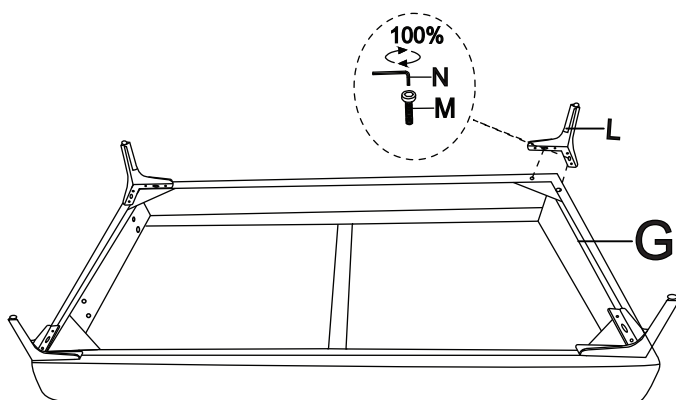
K		Pillow	4
L		Foot	12
M		Screw	24
N		Wrench	1
O		Screw	16
P		Wrench	1
Q		Power cord	1
R		Power line switch	1
S		Jack-plug	1
T		Remote control	1

Assembly Steps

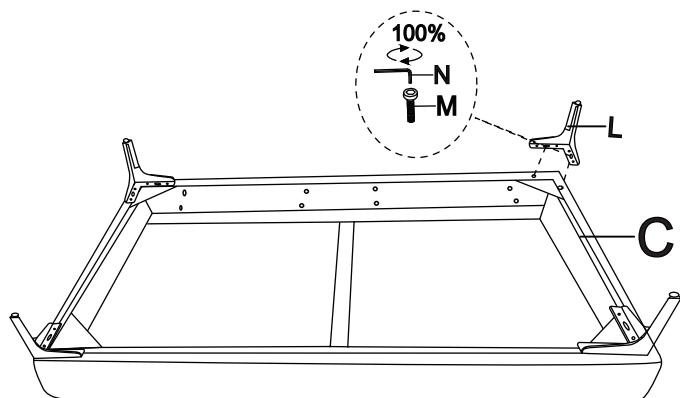
Step 1



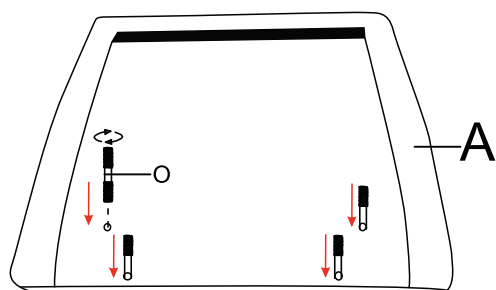
Step 2



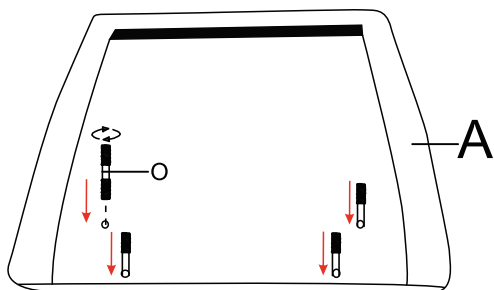
Step 3



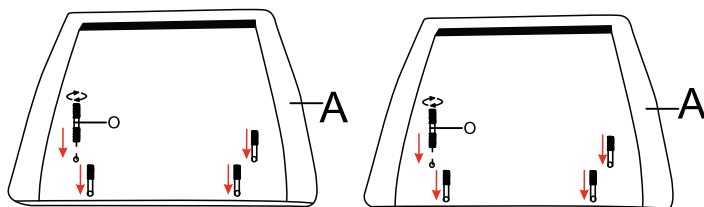
Step 4



Step 5

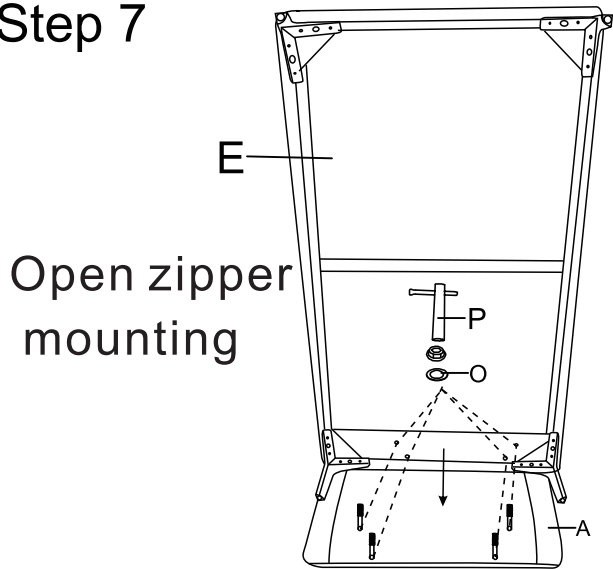


Step 6

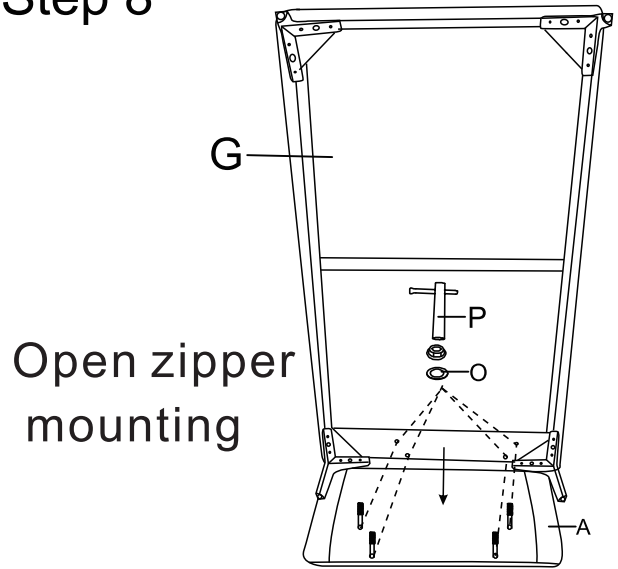


Assembly Steps

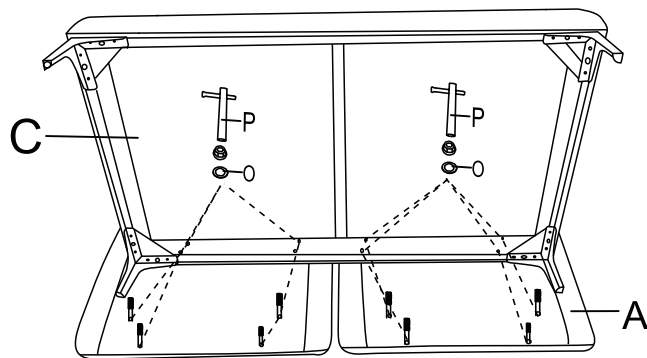
Step 7



Step 8

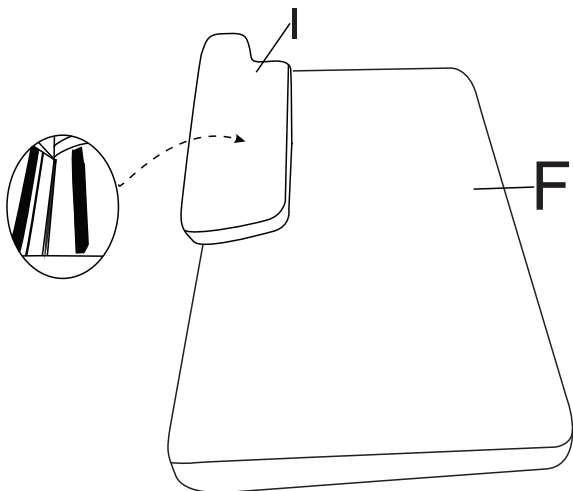


Step 9

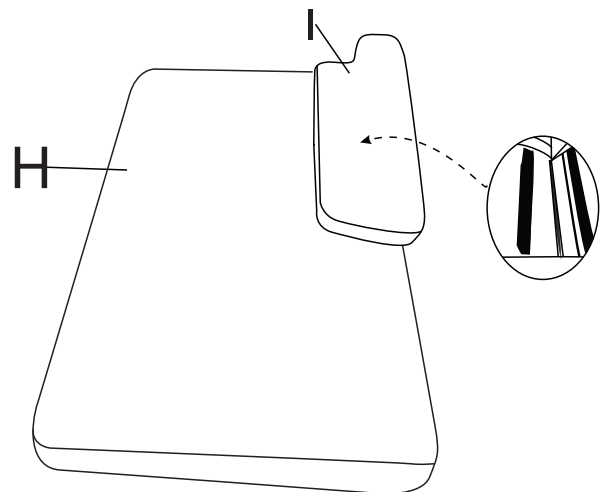


Open zipper mounting

Step 10

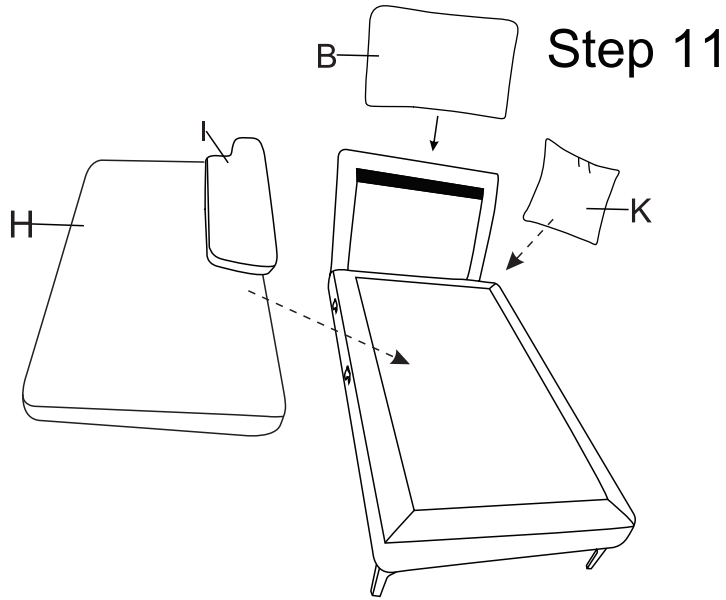


Step 11

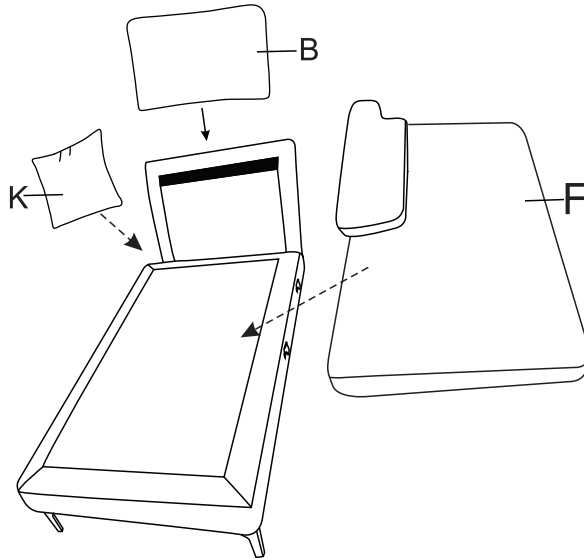


Assembly Steps

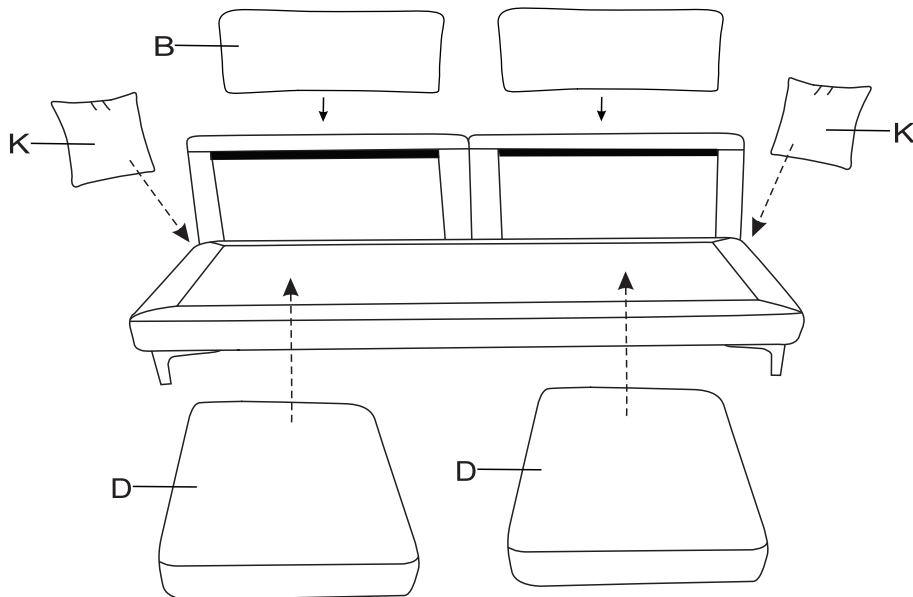
Step 12



Step 13

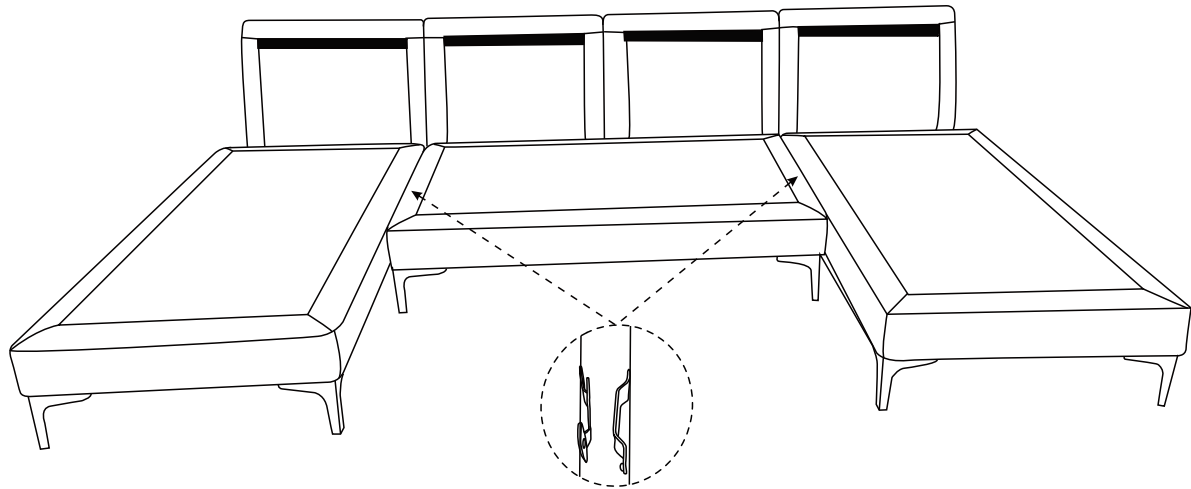


Step 14



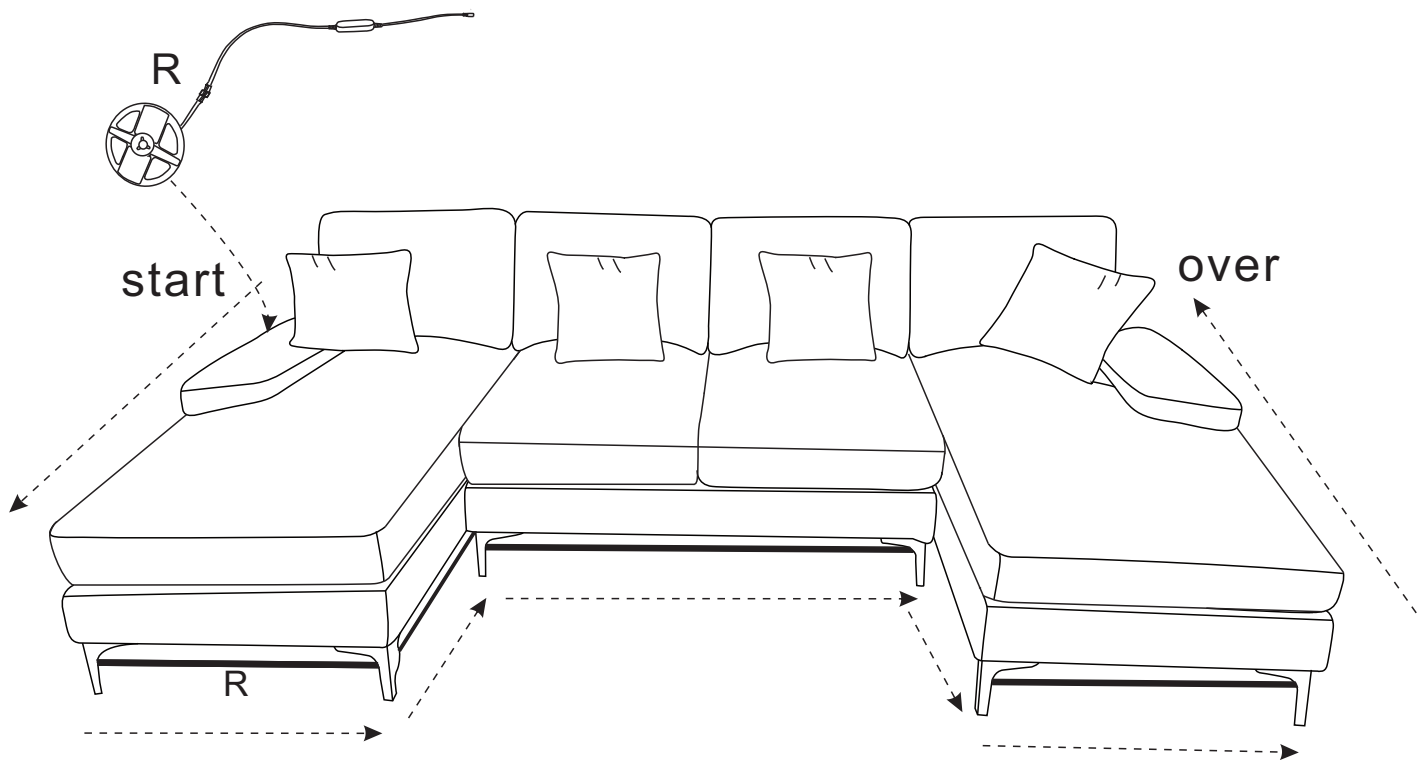
Assembly Steps

Step 15



The inside insert of the seat is connected

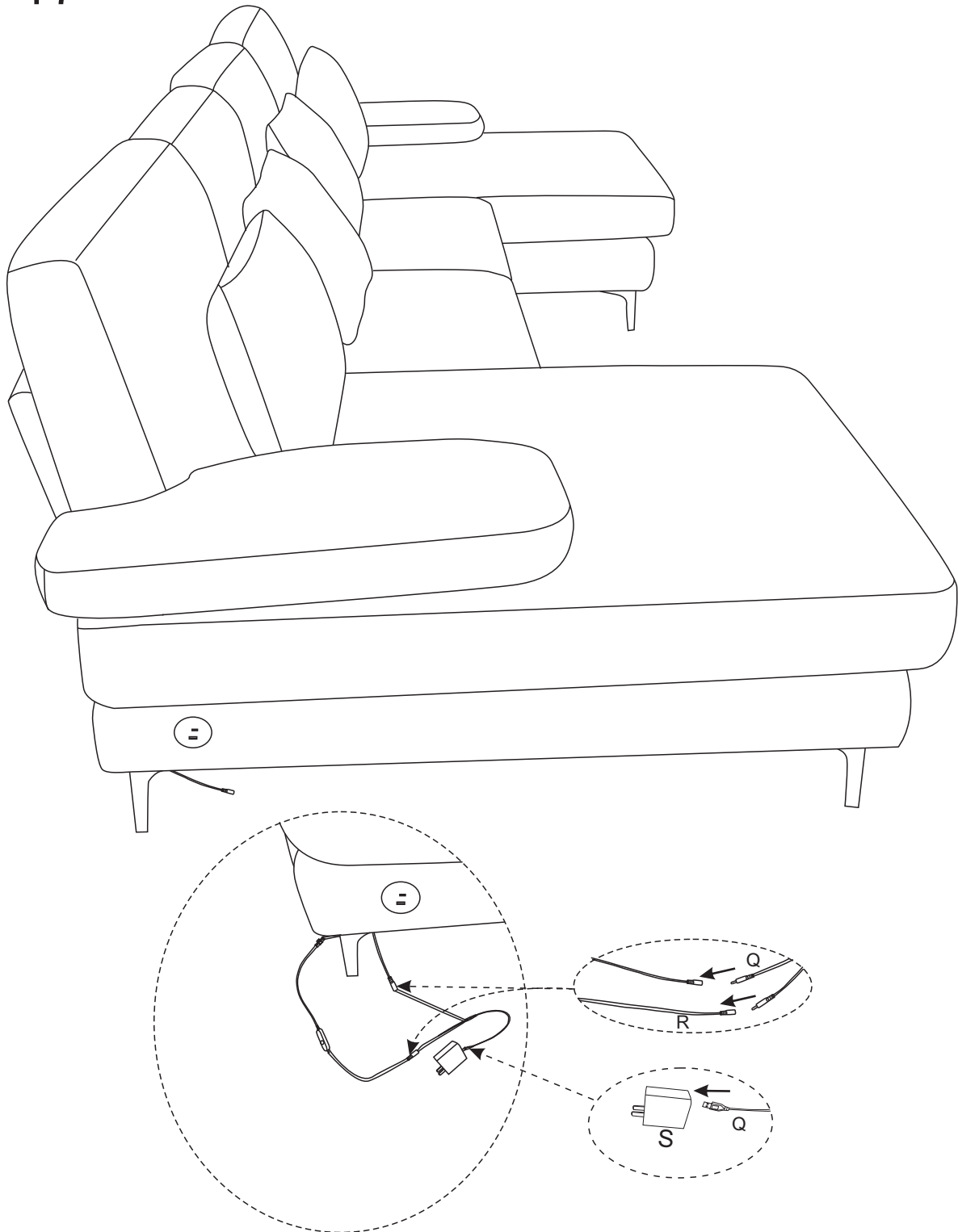
Step 16



Under the sofa bottom, install the light belt in the front circle and connect the power switch plug

Assembly Steps

Step 17



Under the sofa, install the light belt in the front circle, and connect the power switch plug