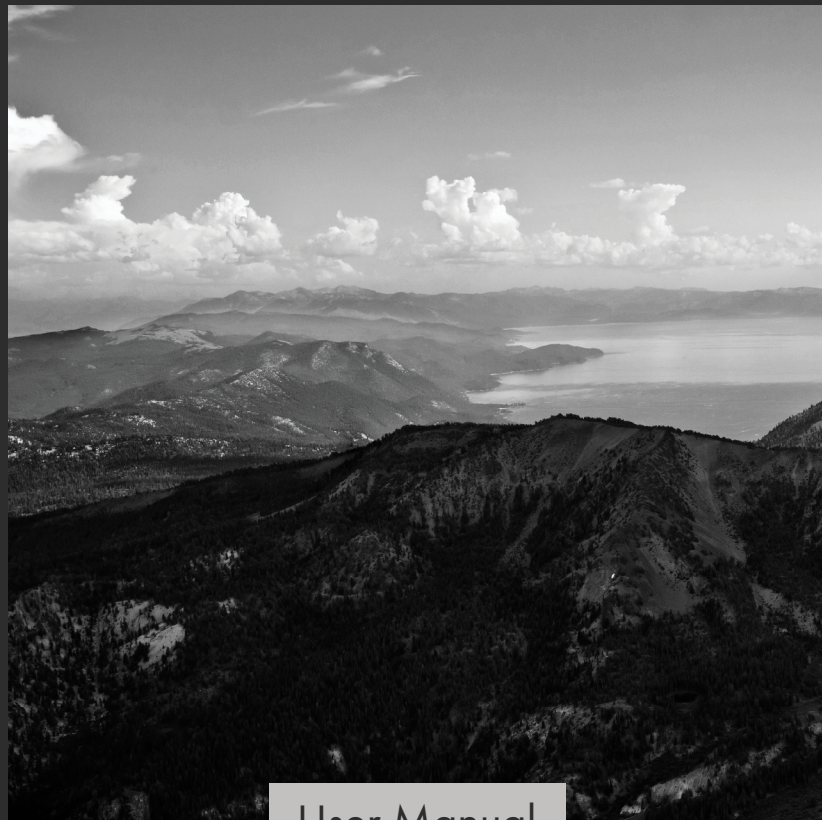


ZLINE

ATTAINABLE LUXURY[®]



User Manual

MONUMENT DISHWASHERS DWS3-24 MODELS

zlinekitchen.com



ZLINE Kitchen and Bath provides Attainable Luxury, where the kitchen and bath of your dreams is never out of reach. Through our unique designs and unparalleled quality, we're dedicated to providing you an elevated experience in the heart of your home. With an endless selection of features and finishes, our inspiration is your reality.

ZLINE
ATTAINABLE LUXURY®



ZLINE is fueled by a passion for innovation—a relentless pursuit of bringing the highest end luxury designs and professional features into everyone’s homes.

Because we continually strive to improve our products, we may change specifications and designs without prior notice.

Scan the QR code to view the most up-to-date version of the Installation Manual and User Manual.

⚠ WARNING: This product can expose you to chemicals including nickel, which is known to the State of California to cause cancer. For more information, go to www.P65Warnings.ca.gov.

TABLE OF CONTENTS

IMPORTANT SAFETY INSTRUCTIONS.....	1
Dishwasher Overview	4
OPERATION	4
Before Using Your Dishwasher	5
Multi-Stage Filtration System	5
Smart Wash System	6
Automatic Temperature Control.	6
Control Panel	7
Cycles	8
Starting a Wash Cycle.	13
Preparing and Loading Dishes	13
Racks	15
Silverware Basket	19
Filling the Detergent Dispenser	21
Filling the Rinse Aid Dispenser	24

TABLE OF CONTENTS

MAINTENANCE AND CLEANING	27
Cleaning	27
Disconnecting Service	32
TROUBLESHOOTING	33
Error Codes	33
WARRANTY	41

IMPORTANT SAFETY INSTRUCTIONS



This symbol indicates that dangerous voltage constituting a risk of electric shock is present within your dishwasher.



This symbol indicates there are important operating and maintenance instructions in the manuals accompanying your dishwasher.

BEFORE YOU BEGIN

- Read these instructions completely and carefully.
- Heed all warnings and follow all instructions.
- Clean your unit only with a damp cloth.
- Do not block any ventilation openings. Make sure that the available AC power matches the voltage requirements of this appliance.
- Refer all servicing to a qualified service personnel. Servicing is required when the appliance has been damaged in any way or it does not operate normally.
- If a component or part is damaged, it must be replaced by the manufacturer, a professional service agent, or similar qualified persons in order to avoid a hazard.
- Turn off the dishwasher before carrying out user maintenance on it.
- Observe all governing codes and ordinances.

IMPORTANT SAFETY INSTRUCTIONS

FOR YOUR SAFETY

Read and observe all **CAUTIONS** and **WARNINGS** shown throughout these instructions. While performing installations described in this booklet, gloves and safety glasses or goggles should be worn.



To reduce the risk of electrical shock, fire, or injury to persons, the installer must ensure that the dishwasher is completely enclosed at the time of installation.

- **NOTE:** This User Manual does not cover every possible condition and situation that may occur.
- To ensure the longevity of the dishwasher's optimal wash performance, we recommend rinsing off any large pieces of food from your dishes prior to placing them in the unit for a wash cycle.
- If the dishwasher drains into a garbage disposal, make sure disposal is completely empty before running dishwasher.
- Do not touch the heating element during or immediately after use, especially if the **SANITIZE + HI-TEMP WASH** option has been selected.
- To reduce the risk of injury, do not allow children to play in or on a dishwasher. Do not allow children to tamper with the spray arms, baskets, or other elements inside the unit. Keep young children and infants away from dishwasher when it is operating.
- Do not store or use combustible materials, gasoline, or other flammable vapors and liquids in the vicinity of this or any other appliance.
- Some dishwasher detergents are strongly alkaline. They can be extremely dangerous if swallowed. Avoid contact with the skin and eyes and keep children away from the dishwasher when the door is open.
- Do not use the dishwasher if it has a damaged power line or plug, and do not plug the dishwasher into a damaged outlet; failure to observe these instructions may result in electrical shock.
- Care shall be exercised, when the appliance is installed or removed, to reduce the likelihood of damage to the power-supply cord.
- This dishwasher is intended for residential use only and should not be used in commercial establishments. This appliance is not applicable for outdoor usage. The manufacturer disclaims responsibility for damage or injury caused by improper use of this appliance.

IMPORTANT SAFETY INSTRUCTIONS

WARNING – When using your dishwasher, follow basic precautions, including the following:

- a. Read all instructions before using the dishwasher.
- b. Use the dishwasher only for its intended function.
- c. Use only detergents or wetting agents recommended for use in a dishwasher and keep them out of the reach of children.
- d. When loading items to be washed:
 1. Locate sharp items so that they are not likely to damage the door seal; and
 2. Load sharp knives with the handles up to reduce the risk of cut-type injuries.
- e. Do not wash plastic items unless they are marked "dishwasher safe" or the equivalent. For plastic items not so marked, check the manufacturer's recommendations.
- f. Do not touch the heating element during or immediately after use.
- g. Do not operate your dishwasher unless all enclosure panels are properly in place.
- h. Do not tamper with controls.
- i. Do not abuse, sit on, or stand on the door or dish rack of the dishwasher.
- j. To reduce the risk of injury, do not allow children to play in or on a dishwasher.
- k. Under certain conditions, hydrogen gas might be produced in a hot-water system that has not been used for two weeks or more. **HYDROGEN GAS IS EXPLOSIVE.** If the hot-water system has not been used for such a period, before using the dishwasher turn on all hot-water faucets and let the water flow from each for several minutes. This will release any accumulated hydrogen gas. As the gas is flammable, do not smoke or use an open flame during this time.
- l. Remove the door to the washing compartment when removing an old dishwasher from service or discarding it.

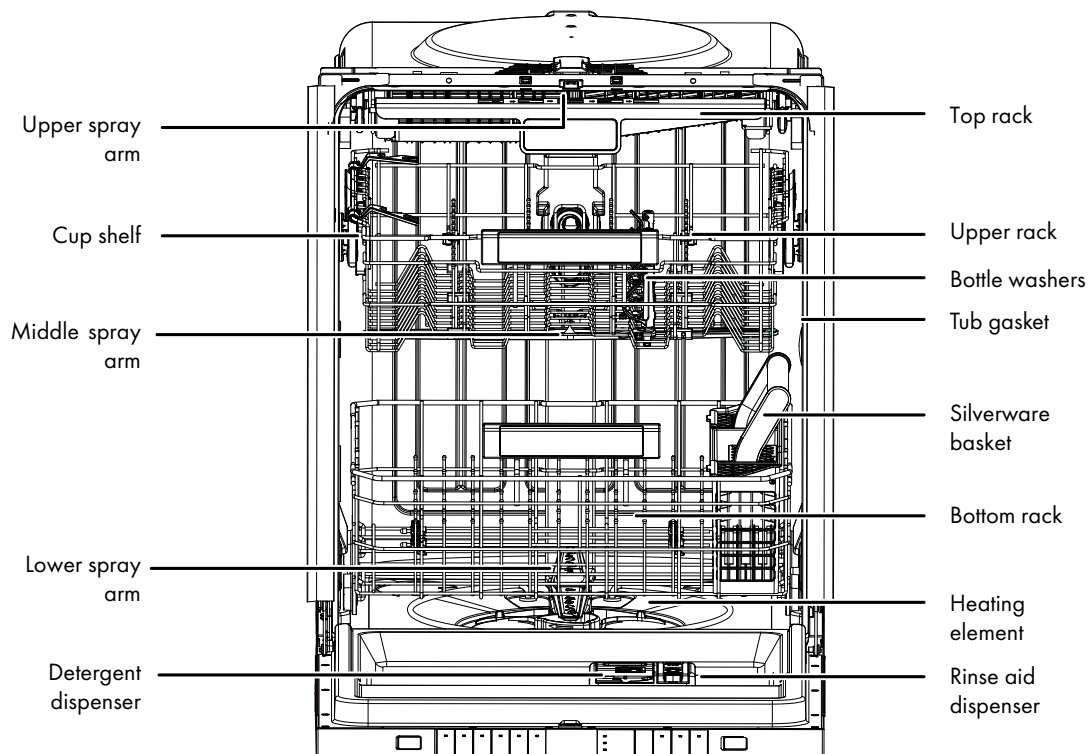
SAVE THESE INSTRUCTIONS

OPERATION

DISHWASHER OVERVIEW

SKU: DWMT-24

Model Number: DWS3-24



Water Supply Temperature

- Incoming water temperature must be 120 °F–150 °F (49 °C–66 °C).
- Temperatures below 120 °F (49 °C) may reduce wash performance.

Electrical Requirements

- 120 VAC, 60 Hz
- 15 A dedicated, properly grounded circuit
- Failure to ground the dishwasher may result in electric shock

Installation Reference

For installation instructions, electrical specifications and code requirements, and plumbing connections, refer to the Installation Manual provided with this appliance.

OPERATION



IMPORTANT:

Damaged Appliance

- If the dishwasher is damaged, do not operate it.
- Contact ZLINE Customer Service at 1-614-777-5004.
- Do not attempt to repair or replace components yourself.

Disposal

Dispose of packaging materials and discarded appliances in accordance with local regulations.

BEFORE USING YOUR DISHWASHER

- Remove all interior packaging materials.
- Wipe the interior with a soft cloth and warm water.
- Confirm that the water supply temperature meets the required range 120 °F–150 °F (49 °C–66 °C).

HOW THE DISHWASHER OPERATES

- The unit fills with water to cover the filter area.
- Water is pumped through the filters and spray arms.
- A mixture of hot water and detergent is sprayed onto dish surfaces.
- Soil is filtered and drained.
- Clean water refills the tub for subsequent rinse stages.
- The number of fill and wash stages varies by cycle selection.

MULTI-STAGE FILTRATION SYSTEM

Your dishwasher is equipped with a three-stage filtration system that separates wash water from food particles during operation.

- The system:
 - Captures food debris
 - Recirculates clean water
 - Reduces overall water and energy consumption
 - Maintains consistent wash performance
- Routine filter maintenance is required for optimal results. See "Cleaning the filters" on page 28.

OPERATION

SMART WASH SYSTEM

The Smart Wash System automatically adjusts the wash cycle based on load size and soil level when using Normal and Auto.

- The system monitors wash conditions and selects the appropriate cycle parameters for efficient cleaning.
- Lightly soiled, partial loads shorter wash cycle.
- Heavily soiled, full loads extended wash cycle.
- No manual adjustment is required.

AUTOMATIC TEMPERATURE CONTROL

- An internal sensor monitors incoming water temperature.
- If the water is below the required temperature, the cycle will pause to allow the water to heat before the main wash begins.
- This applies to all cycles, including Hi-Temp Wash, ensuring proper cleaning performance for heavily soiled loads.

BOTTLE WASHERS

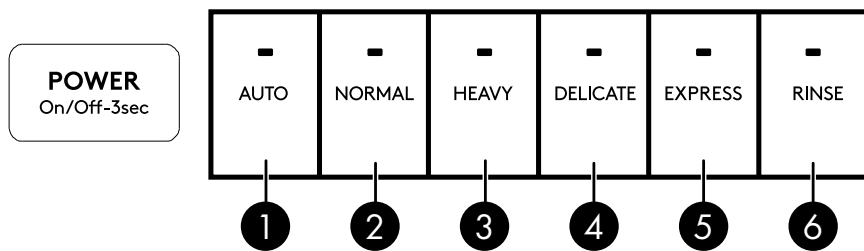
- Your dishwasher is equipped with integrated bottle washers designed to clean the interior of reusable bottles, travel mugs, sports bottles, and similar narrow-neck containers. This feature helps improve cleaning performance inside containers that may be difficult to clean with standard spray arms alone. To use the bottle washers:
 - Place the bottle upside down over a bottle washer nozzle.
 - Ensure the bottle is securely positioned and does not interfere with spray arm movement.
 - Do not place items over the bottle washers that are not intended for bottle cleaning.
- For best results, remove large food residue before washing.

OPERATION

CONTROL PANEL

USING THE CONTROL PANEL

Your dishwasher's control panel is located on the top edge of the door. The door must be open to select wash cycle settings and operate the dishwasher.



POWER On/Off 3sec - Press and hold the far-left button on the control panel for three seconds to turn the unit on or off.

#	CYCLE	DESCRIPTION OF CYCLE	WATER
1	AUTO	Auto sensing wash, lightly, or heavily soiled crockery, with or without dried-on food.	2.4–4.7 gal. (11.0–21.5 L)
2	NORMAL	Use for regularly soiled dinner dishes or silverware.	2.2–4.6 gal. (10.1–21.1 L)
3	HEAVY	Use for hard-to-clean, heavily soiled dishes, pots, and pans.	4.6 gal. (21.1 L)
4	DELICATE	Use for lightly soiled crockery and glass.	3.9 gal. (17.8 L)
5	EXPRESS	Use for lightly soiled and pre-rinsed dishes and silverware.	3.4 gal. (15.3 L)
6	RINSE	Use for pre-rinsing dishes or glasses. This is only a rinse that keeps food from drying on your dishes and reduces odor buildup in your dishwasher until you are ready to wash a full load. Do not use detergent.	1.7 gal. (7.9 L)

OPERATION

CYCLES

Select a cleaning cycle based on dish type and soil level. Cycle duration and water consumption will vary based on selected options, incoming water temperature, and soil load.

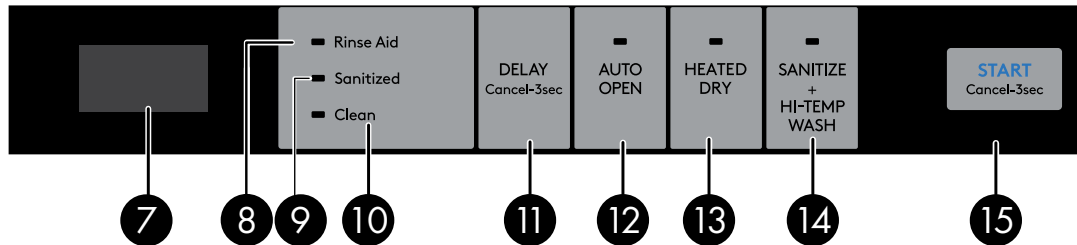
If the unit detects that incoming water temperature is below the required threshold, the cycle time will automatically extend to achieve proper wash temperature. This ensures cleaning performance and sanitization standards are maintained.

Refer to the Cycle Chart for typical water usage and estimated run times under standard operating conditions.

CYCLES	AUTO	NORMAL	HEAVY	DELICATE	EXPRESS	RINSE
Base Cycle Time	84-114	91-130	119	97	60	17
Heated Dry	165-195	178-211	200	178	146	-
High-Temp Wash	89-104	95-135	124	-	-	-
Sanitize	89-119	100-135	124	102	-	-
Heated Dry + High-Temp Wash	150-180	181-216	205	-	-	-
Heated Dry + Sanitize	165-195	176-211	200	178	-	-
High-Temp Wash + Sanitize	94-124	105-140	129	-	-	-
Heated Dry + High-Temp Wash + Sanitize	170-200	181-216	205	-	-	-
Auto Open	104-139	109-155	144	117	60	-
Auto Open + Heated Dry	164-204	170-220	209	177	133	-
Auto Open + High-Temp Wash	109-121	115-160	149	-	-	-
Auto Open + Sanitize	119-154	131-170	159	132	-	-
Auto Open + Heated Dry + High-Temp Wash	157-179	176-225	214	-	-	-
Auto Open + Heated Dry + Sanitize	184-219	196-235	224	197	-	-
Auto Open + High-Temp Wash + Sanitize	124-159	136-175	164	-	-	-
Auto Open + Heated Dry + High-Temp Wash + Sanitize	189-224	201-240	229	-	-	-

OPERATION

CONTROLS AND INDICATORS



7. Display shows -

- Remaining cycle time (hours and minutes)
- Remaining delay time
- Active error codes
- Refer to "Error Codes" on page 33 for code definitions and corrective actions.

8. Rinse Aid Indicator - Illuminates when rinse aid level is low.

- Refill the rinse aid dispenser before starting the next cycle.

9. Sanitized Indicator - Illuminates when a cycle with a sanitizing option has successfully completed.

- The indicator will turn off if:
 - The door remains open for more than 60 seconds, **or**
 - Any button is pressed and the door is closed within 60 seconds.

OPERATION

10. **Clean Indicator** - Illuminates when the wash cycle is complete.

- The indicator will turn off if:
 - The door remains open for more than 60 seconds, **or**
 - Any button is pressed and the door is closed within 60 seconds.

11. **DELAY Cancel-3sec** - The cycle start time can be delayed up to 24 hours.

- **To set delay:**
 - Press DELAY to increase the delay time.
 - Delay adjusts as follows:
 - 1-hour increments from 1 to 8 hours
 - 4-hour increments after 8 hours (12, 16, 20, 24)
 - Close the door to begin the delay countdown.
- **If door is opened during delay:** Press START/CANCEL, then close the door within 4 seconds to resume.
- **To cancel delay:** Open the door and press and hold START/CANCEL for 3 seconds.

OPERATION

OPTIONS

12. **AUTO OPEN** - When AUTO OPEN is selected, the door automatically opens at the end of the wash cycle to release excess steam and enhance drying performance, particularly for plastics and deep-bottomed items.



IMPORTANT: To protect surrounding cabinetry from moisture, apply the included protective strip to the underside of the countertop prior to installation. Refer to the Installation Manual for details.

When Auto Open is activated:

- The wash cycle will complete first.
- The door will then open a few inches to begin the ventilation drying phase.
- Drying continues while the door remains open.
- An audible tone will indicate when the full cycle, including drying, is complete.
- Auto Open is not available with the Rinse cycle.
- Do not force the door closed during the ventilation drying phase, as this may reduce drying performance.
- If the door opens too quickly, too slowly, or does not open to the expected position, the door spring tension may require adjustment. Contact your installer to verify proper installation and tension settings.
- If you prefer the door to remain closed after washing, deselect the Auto Open option before starting the cycle.

13. **HEATED DRY** - When HEATED DRY is selected, the internal heating element operates during the drying phase to improve moisture evaporation and reduce residual water on dishes.

This option is not available when the Rinse cycle is selected.

OPERATION

14. **SANITIZE + HI-TEMP WASH** - Use this option to sanitize dishes and glassware. When selected, the dishwasher maintains wash water temperature up to 158 °F (70 °C) during the final rinse phase. Available with:

- AUTO
- NORMAL
- HEAVY



IMPORTANT:

- Certified residential dishwashers are not intended for use in licensed food service establishments.
- The sanitize option is NSF certified for residential applications.

15. **START / CANCEL (HOLD 3 SEC TO CANCEL)**

- **To start a cycle:**
 - Select a cycle and desired options.
 - Indicator lights will illuminate.
 - The display shows the estimated cycle time.
 - Press **START/CANCEL**.
 - Close the door immediately to begin operation.
- **To cancel a cycle:**
 - Open the door.
 - Press and hold **START/CANCEL** for 3 seconds.
 - Cycle and option indicators turn off.
 - The **START/CANCEL** indicator remains illuminated.
 - Close the door to initiate a 60-second drain sequence.
 - After draining is complete, open the door to select a new cycle.
- **To stop the drain sequence**, open the door and press and hold **START/CANCEL** for 3 seconds.

OPERATION

STARTING A WASH CYCLE

1. Load the dishwasher using the instructions below.
2. Add detergent (Refer to "Filling the Detergent Dispenser" on page 21).
3. Add rinse aid, if needed (Refer to "Filling the Rinse Aid Dispenser" on page 24).
4. Select a cycle (Refer to "Cycles" on page 8). The cycle indicator will illuminate.
5. Select desired options. Selected option indicators will illuminate.
6. Press START/CANCEL.
7. Close the door within 4 seconds to begin operation.

PREPARING AND LOADING DISHES



- If connected to a garbage disposal, ensure the disposal is completely empty before starting the dishwasher.
- Scrape off large food particles, bones, pits, and toothpicks.
- Empty liquids from glasses and cups.
- Loosen heavily burned-on food.
- The filtration system is designed to remove remaining food soil during operation.

To prevent staining:

- If the dishwasher will not be started immediately, rinse off acidic foods such as:
 - Mustard
 - Mayonnaise
 - Vinegar
 - Lemon juice
 - Tomato-based products
- Prolonged contact may stain stainless steel surfaces or plastic components.

OPERATION

ADDING DISHES AFTER START

You may add dishes after the cycle has started if the main wash phase has not begun. To check:

1. Open the door.
2. Inspect the detergent dispenser:
 - If the dispenser is closed – It is safe to add dishes.
 - If the dispenser is open – The main wash has begun.

If dispenser is closed:

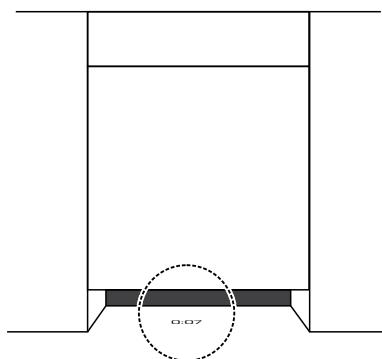
- Add the dishware.
- Press START/CANCEL.
- Close the door within 4 seconds to resume the cycle.

If dispenser is open, only add a small number of dishes.

For larger additions, it is recommended to cancel and restart the cycle for optimal cleaning performance.

SPOT TIMER

- The Spot Timer projects the remaining cycle time onto the floor beneath the dishwasher while it is running.
- The projected time updates automatically as the cycle progresses.
- When the cycle is complete, "END" will display on the floor for approximately 15 minutes.
- The projection turns off automatically after this period.
- The Spot Timer is inactive when the dishwasher is in standby mode.



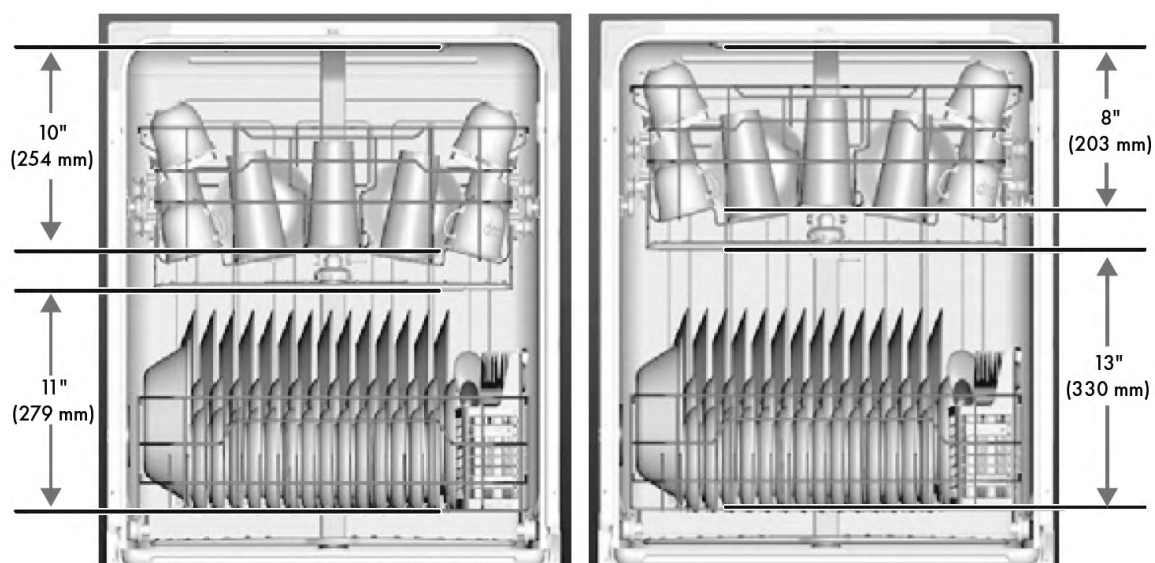
OPERATION

RACKS

ADJUSTABLE UPPER RACK

The upper rack height can be adjusted to accommodate taller items in either rack. Below is the rack position clearance range with the third rack removed:

- Upper Rack: 8"–10" (203 mm–254 mm)
- Lower Rack: 11"–13" (279 mm–330 mm)



The upper rack is intended for:

- Cups and mugs
- Glasses and bottles
- Small plates
- Bowls
- Dishwasher-safe plastic items

OPERATION

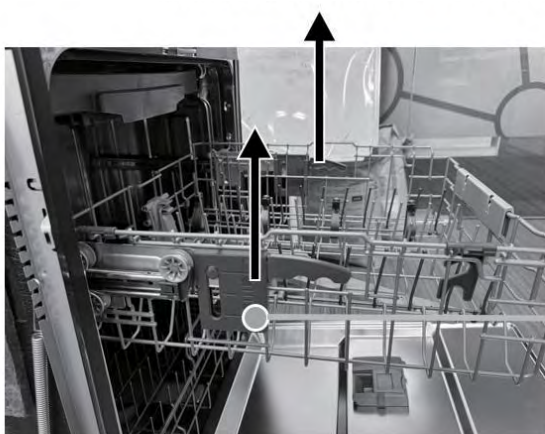
Loading the upper rack:

- Glass holders/stemware:
 - When using the stemware/glass holders, removal of the third rack may be required to accommodate taller stemware.
 - Clearance will vary depending on the height and shape of the glassware.
- **NOTE:** Ensure loaded items do not interfere with the rotation of the middle spray arm located beneath the upper rack. After loading, rotate the middle spray arm by hand and confirm it turns freely without obstruction. Improper clearance may result in reduced cleaning performance.

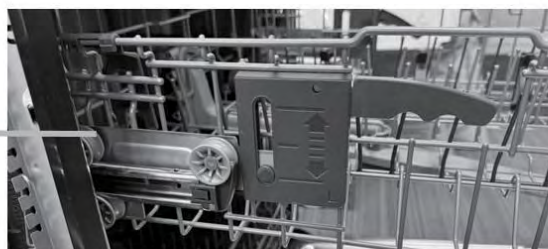
Adjusting the Upper Rack

The height of the upper rack can be adjusted to accommodate loading taller dishes in either rack.

1. Lift the rack to move it to the upper position.



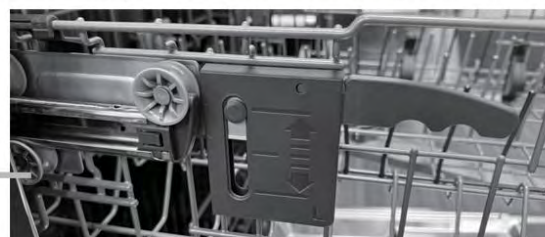
Upper rack in highest position



2. Press the handle to move it to the lower position.



Upper rack in lowest position

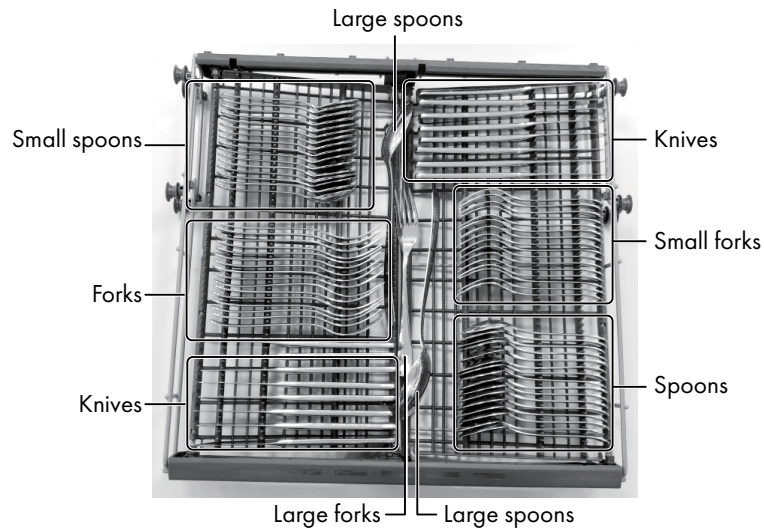


OPERATION

TOP RACK

Loading the Top Rack

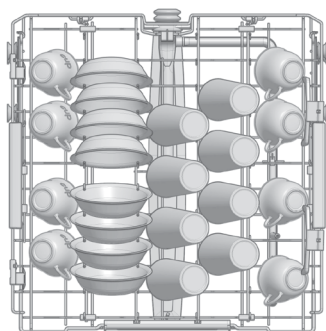
Items may be placed in the top rack in either a random or an organized arrangement.



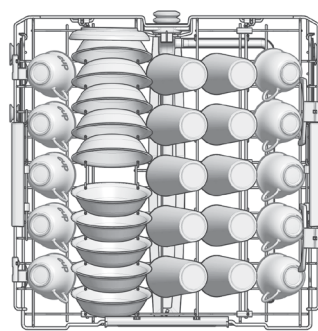
For optimal cleaning performance:

- Position soiled surfaces facing downward or toward the center of the rack.
- Angle items slightly to promote drainage.
- Ensure items do not block spray arm rotation.
- Proper positioning improves wash coverage and reduces water retention at cycle completion.

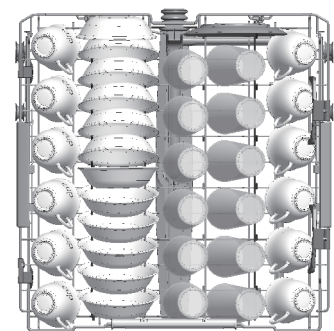
Loading suggestions are shown below.



Small



Medium



Large

OPERATION

BOTTOM RACK

The lower rack is designed for:

- Dinner plates
- Bowls
- Saucers
- Cookware

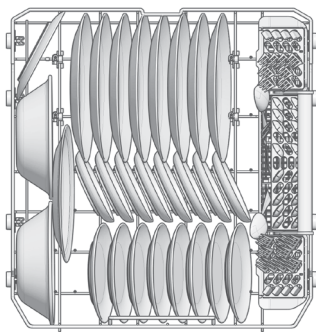
The adjustable rack configuration accommodates items up to 13" (330 mm) in height.

Loading Guidelines:

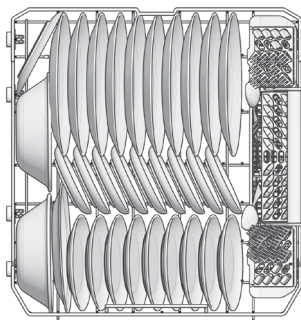
- Position large items along the outer edges of the rack.
- Face soiled surfaces downward and toward the center.
- Do not block the spray arms or detergent dispenser.
- Ensure tall items do not interfere with upper rack clearance.

Fold-Down Tines

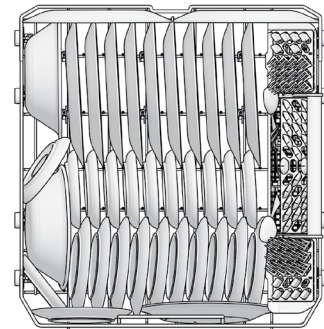
- Fold-down tines provide flexibility for oversized or irregularly shaped items.
- Leave tines upright for standard dish loads.
- Fold tines down to accommodate larger cookware or serving pieces.



Small



Medium

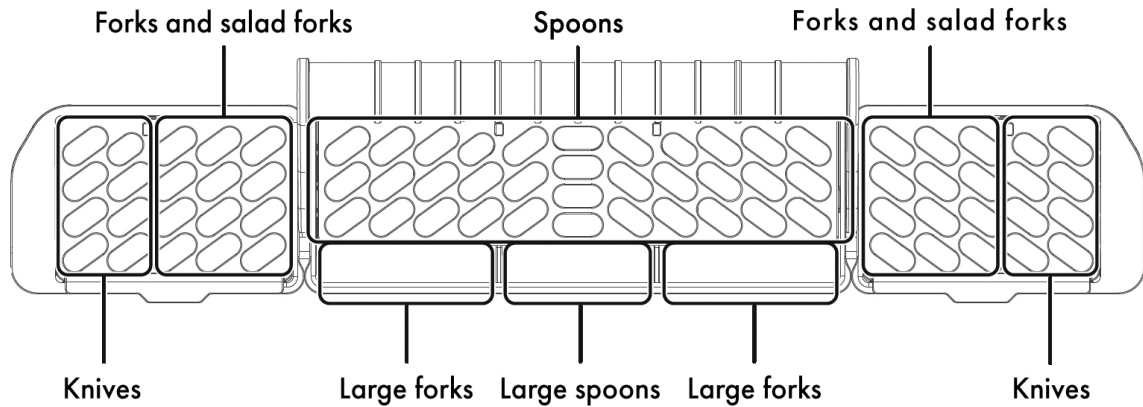


Large

OPERATION

SILVERWARE BASKET

The silverware basket is divided into three individual sections. Each section may be positioned in either the upper rack or lower rack to accommodate varying load configurations.



CAUTION: Do not allow utensils or other items to protrude through the bottom of the silverware basket.



Items extending below the basket may obstruct the lower spray arm and reduce cleaning performance.

OPERATION

ADDING A DISH



WARNING: BURN HAZARD

- Open the door slowly and allow the spray arms and wash action to stop completely before reaching inside.
- Hot water or steam may escape from the dishwasher.
- Failure to follow this instruction may result in serious injury.

Before adding dishes, refer to "Preparing and Loading Dishes" on page 13 for instructions on loading more dishes. Also see information on START/CANCEL in the "Using the Control Panel" on page 7. To add or remove items after the wash cycle starts:

1. Open the door slightly and wait a few seconds until wash action stops before completely opening.
2. Add the item.
3. Press START/CANCEL on the control pad and close the door within four seconds. The cycle automatically resumes.

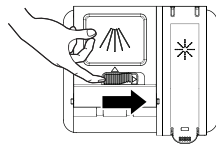
OPERATION

FILLING THE DETERGENT DISPENSER

The detergent dispenser has two cups: a small one for prewash and a larger one for the main wash.

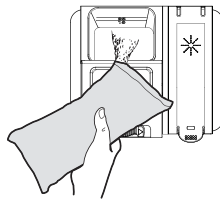
- This dishwasher is compatible with automatic dishwasher detergent tablets or pods.
- Place one tablet or pod into the main wash detergent compartment and close the lid securely.
- Use only one tablet or pod per cycle.
- Do not use detergent designed for hand washing dishes.
- If using an oversized detergent pod that prevents the dispenser lid from closing properly, place the pod directly into the bottom of the dishwasher tub near the filter area.
- For best performance, use fresh detergent and store in a cool, dry location.

1. Press the detergent dispenser release tab to open the main wash compartment.

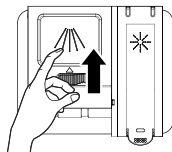


2. Add detergent to the main wash compartment:

- Place one detergent pod directly into the compartment, or
- Add the recommended amount of powder detergent.



3. Close the cover firmly until it clicks into place.



NOTE: The dispenser cover will be open at the end of the wash cycle. This is normal.

OPERATION

How much detergent to use:

- Use only the amount of detergent required for the load.
- Detergent performance depends on:
 - Water hardness
 - Soil level of the dishes
 - Detergent type and concentration



IMPORTANT

IMPORTANT:

- Too little detergent may result in poor cleaning performance.
- Too much detergent, especially in soft water conditions, may cause glassware etching (permanent cloudiness).
- If unsure of your water hardness, contact your local water utility provider.



CAUTION

CAUTION: Use only household automatic dishwasher detergent. Industrial or commercial-grade detergents may damage the heating element and internal components, potentially resulting in appliance failure or property damage.

WATER HARDNESS

Water hardness varies by location and directly affects cleaning performance and glassware appearance.

- **For optimal results:**
 - Recommended water hardness: 7 grains per gallon (gpg) or less
 - If water hardness exceeds 8 gpg, install a household water softener or use a detergent additive regularly.
- Water hardness test kits are available from appliance parts retailers or local water providers.
- **Excessively hard water may cause:**
 - Mineral deposits on dishes
 - Reduced cleaning performance
 - Spotting or film buildup

OPERATION

RINSE AID

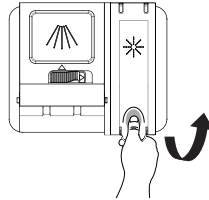
Rinse aid improves drying performance and reduces spotting and mineral residue.

- The rinse aid dispenser is located next to the detergent compartment. Rinse aid is automatically dispensed during the final rinse cycle.
- If spotting or poor drying occurs, increase the rinse aid setting.
- **Adjusting the rinse aid setting:**
 - Open the dishwasher door while the unit is in standby mode.
 - Within 60 seconds, press Power to turn the unit on.
 - With the door open, press and hold the Rinse button for 5 seconds to enter rinse aid adjustment mode.
 - The rinse aid indicator will begin blinking.
 - Press the Rinse button to cycle through the settings: d1 → d2 → d3 → d4 → d5
 - Higher numbers dispense more rinse aid.
 - Factory default setting: d5
 - The dishwasher will exit setting mode automatically after 5 seconds of inactivity.
- **Refilling rinse aid:**
 - Refill approximately once per month, depending on usage.
 - Keep the dispenser filled.
 - Do not overfill.

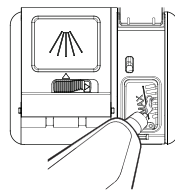
OPERATION

FILLING THE RINSE AID DISPENSER

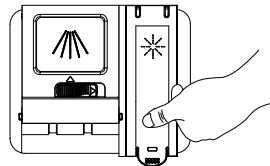
1. Lift the tab on the rinse aid cover to open the dispenser.



2. Slowly pour liquid rinse aid into the reservoir.
 - Use the viewing window to monitor the fill level.
 - Fill until the reservoir is full.
 - Do not overfill.



3. Press the cover down firmly until it clicks closed.



OPERATION

FACTORS AFFECTING PERFORMANCE

Proper detergent use, rinse aid level, water temperature, and drying settings all influence cleaning and drying results.

Using rinse aid

Rinse aid significantly improves drying performance and reduces water spots and mineral film.

- Without rinse aid:
 - Dishes may retain excess moisture
 - The dishwasher interior may remain damp
 - Heated Dry performance will be reduced
- The rinse aid dispenser, located next to the detergent compartment, automatically releases rinse aid during the final rinse.
- If spotting or poor drying occurs, increase the rinse aid setting.
- The rinse aid indicator light will illuminate at the beginning and end of a cycle when the dispenser requires refilling.
- Refer to "Filling the Rinse Aid Dispenser" on page 24.

NOTE: Water may remain on concave surfaces such as mugs, bowls, or plastic containers. This is normal for most dishwashers.

Water temperature

- Hot water is required for effective cleaning and drying.
- Incoming water temperature must be at least 120 °F (49 °C)
- Lower temperatures may result in:
 - Incomplete cleaning
 - Poor drying performance
 - Detergent residue
- **Checking water temperature**
 - Turn on the hot water faucet closest to the dishwasher.
 - Allow the water to run for several minutes.
 - Measure the water temperature using a household thermometer placed in the water stream.
 - If the temperature is below 120 °F (49 °C), have a qualified professional adjust the water heater thermostat.

OPERATION



IMPORTANT: Before starting a wash cycle, run hot water at the nearest faucet to clear cooled water from the supply line.

Heated dry function

- Using Heated Dry in combination with rinse aid provides optimal drying results.
- If Heated Dry is not selected, items may remain damp at the end of the cycle.

Water supply pressure

- For proper operation, the dishwasher requires a hot water supply pressure between:
 - 20 psi (138 kPa) minimum
 - 120 psi (827 kPa) maximum
 - Pressure outside this range may result in poor cleaning performance or extended cycle times.
- Temporary low pressure may occur during periods of high household hot water usage (for example, when laundry or showers are operating simultaneously). If performance is affected, wait until water demand is reduced before starting a cycle.



CAUTION: BURN HAZARD

- Allow the heating element to cool before cleaning the dishwasher interior.
- Contact with a hot heating element may cause injury.

MAINTENANCE AND CLEANING

CLEANING

Cleaning the stainless steel door panel

- Clean the exterior stainless steel door and handle regularly using:
 - A soft cloth
 - A non-abrasive household cleaner suitable for stainless steel
 - Wipe in the direction of the grain to maintain the finish.



CAUTION

CAUTION: BURN HAZARD

- Do not use:
 - Appliance wax or polish
 - Bleach
 - Chlorine-based cleaners
 - Abrasive pads or powders
- These products may damage the stainless steel surface.

Cleaning the control panel

- Clean the control panel using a soft cloth lightly dampened with water.
- Do not spray cleaner directly onto the control panel.

Cleaning the stainless steel inner door and tub

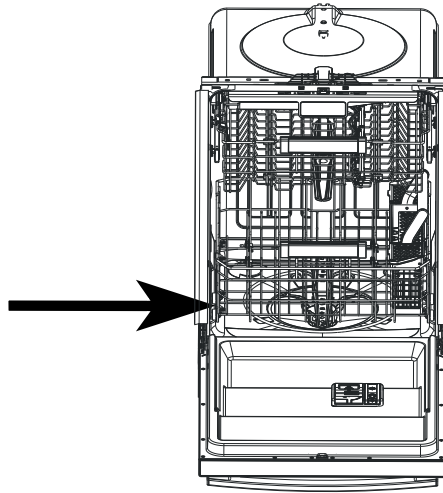
- The inner door and tub are constructed of stainless steel and will not rust under normal household use, even if scratched or dented.
- To clean:
 - Use a soft, damp, non-abrasive cloth.
 - Avoid harsh cleaners or abrasive materials.

MAINTENANCE AND CLEANING

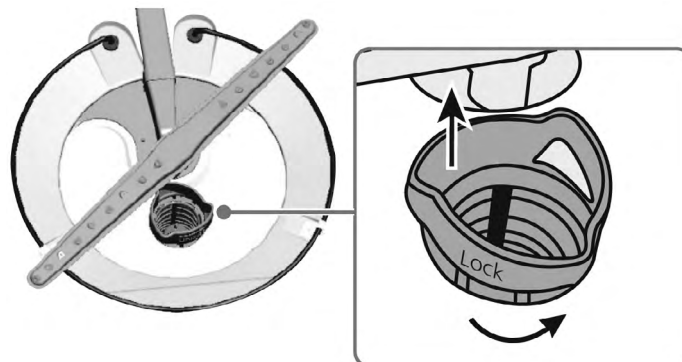
Cleaning the filters

- The filter system collects food particles and debris during operation.
- To maintain optimal wash performance, clean the filters at least once per month, or more frequently with heavy use.

1. Remove the lower rack from the dishwasher.



2. Rotate the cylindrical filter counterclockwise and lift it straight up to remove.

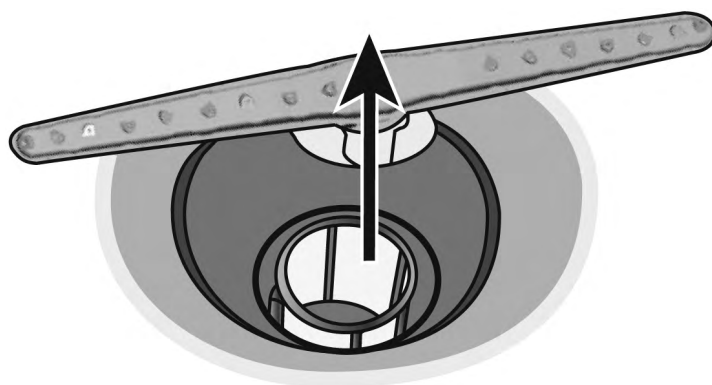


MAINTENANCE AND CLEANING

3. Lift the fine filter from the bottom of the tub.



4. Remove the fabric filter.



5. Rinse all filters under running water to remove debris. Use a soft brush if necessary. Do not use abrasive materials.



6. Reinstall the fabric filter.
7. Place the fine filter back into position.
8. Insert the cylindrical filter and rotate clockwise until locked.
9. Reinstall the lower rack.

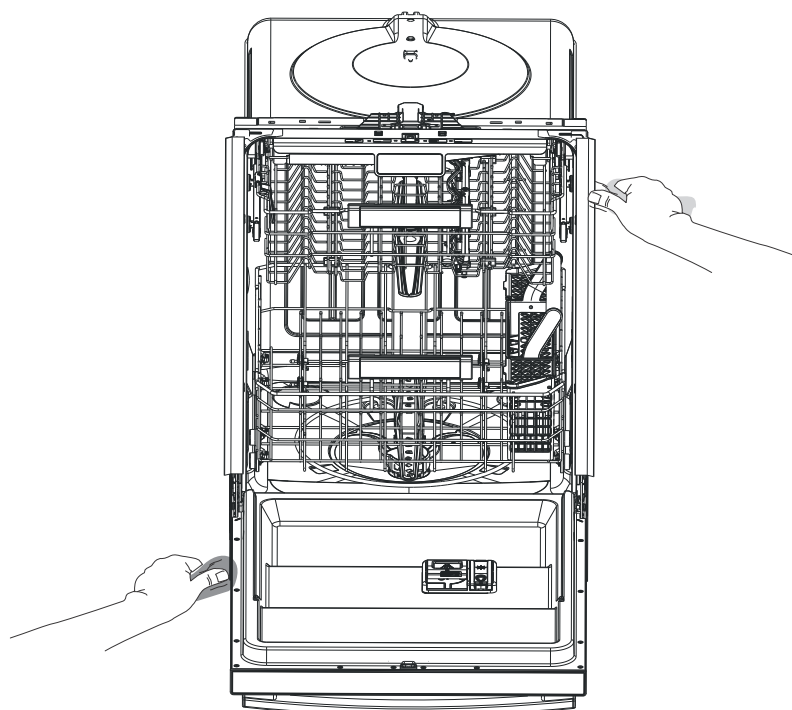
MAINTENANCE AND CLEANING

Cleaning the door and tub gaskets

The door gasket seals the dishwasher during operation and should be cleaned regularly to maintain proper sealing and prevent odor buildup.

Door Gasket

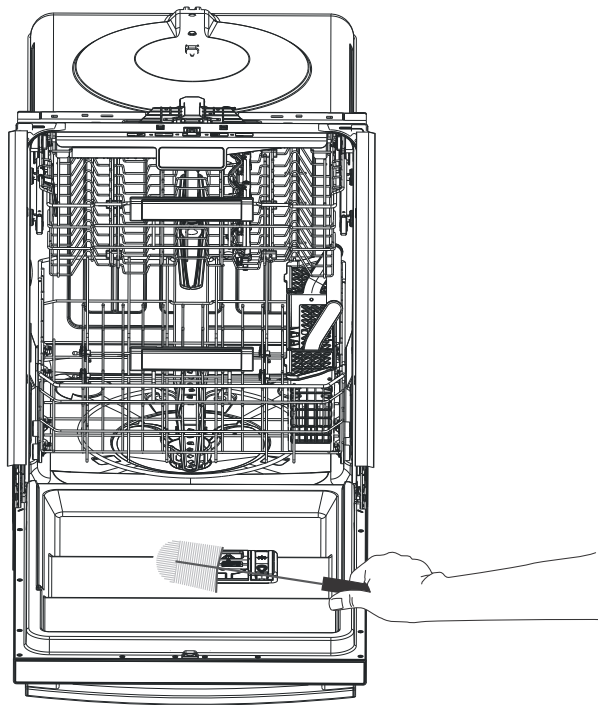
- Wipe the gasket with a soft, damp cloth to remove food particles and residue.
- Inspect periodically for debris buildup along the sealing surface.



MAINTENANCE AND CLEANING

Tub Gasket

- Under normal operating conditions, the dishwasher interior is self-cleaning.
- If cleaning is required:
 - Wipe the tub gasket with a damp cloth.
 - Use a soft brush to clean debris from the gasket channel or end openings.
 - Do not use abrasive cleaners or sharp objects, as they may damage the gasket material.



Cleaning the air gap

- If your dishwasher is equipped with an air gap, it must remain clear to ensure proper drainage.
- To clean the air gap:
 - Turn the dishwasher OFF.
 - Remove the decorative air gap cover.
 - Clear debris from the opening using a toothpick or small brush.
 - Reinstall the cover securely.
 - If the dishwasher does not drain properly, check the air gap before scheduling service.

MAINTENANCE AND CLEANING

DISCONNECTING SERVICE

If the dishwasher will be left in an unheated location for an extended period, it must be properly drained to prevent freeze damage. This procedure should be performed by a qualified individual.

- **To Disconnect Service**
 - Turn OFF electrical power at the circuit breaker or fuse panel.
 - Turn OFF the water supply.
 - Place a shallow pan beneath the water inlet valve.
 - Disconnect the water supply line and allow it to drain into the pan.
 - Disconnect the drain line from the pump and drain any remaining water into the pan.
- **To Restore Service**
 - Reconnect the water supply line, drain line, and electrical supply.
 - Turn ON the water supply.
 - Restore electrical power at the breaker or fuse panel.
 - Fill the detergent and rinse aid dispensers.
 - Run a heated wash cycle.
 - Inspect all connections for leaks.

TROUBLESHOOTING

ERROR CODES

If an error code appears on the display, follow the guidance below before contacting service.

E1 – Fill Time Exceeded

- **Meaning:** The dishwasher is not filling with water within the expected time.
- **Possible Causes:** Water supply faucet is closed
 - Water supply line is restricted or kinked
 - Household water pressure is too low
- **Action:**
 - Confirm the water supply valve is fully open.
 - Inspect the supply line for kinks or obstructions.
 - Verify adequate household water pressure.

E3 – Heating Fault

- **Meaning:** The dishwasher is not reaching the required water temperature.
- **Possible Cause:** Heating element malfunction
- **Action:** Run the cycle again. If the code reappears, service is required.

E4 – Overflow Protection Activated

- **Meaning:** Water has collected in the base of the dishwasher.
- **Possible Cause:**
 - Internal leak
 - Overfill condition
- **Action:**
 - Turn off the dishwasher.
 - Shut off the household water supply.
 - Contact service.

E8 – Diverter Valve Fault

- **Meaning:** The diverter valve is not operating correctly.
- **Possible Causes:**
 - Electrical connection issue
 - Diverter valve failure
- **Action:** Service is required.

TROUBLESHOOTING

E9 – Control Button Stuck

- **Meaning:** A control button has been pressed continuously for more than 30 seconds.
- **Possible Cause:**
 - Button is stuck or obstructed
 - Moisture on the control panel
- **Action:**
 - Remove any objects contacting the control panel.
 - Dry the control surface if moisture is present.
 - Restart the dishwasher.

Ed – Communication Error

- **Meaning:** Communication between the display board and the main control board has been interrupted.
- **Possible Cause:** Internal wiring or control fault
- **Action:**
 - Disconnect power at the circuit breaker for 5 minutes, then restore power.
 - If the code remains, service is required.



CAUTION

CAUTION: Water Overflow Condition

- If an overflow condition occurs:
 - Turn off the dishwasher immediately.
 - Shut off the main water supply.
- If water has collected in the base pan due to overfill or a small leak, it must be completely removed before restarting the dishwasher. Failure to do so may result in repeated fault codes or damage.

TROUBLESHOOTING

Review the guidance below before contacting service.

PROBLEM	POSSIBLE CAUSE	POSSIBLE SOLUTION
Dishwasher Will Not Start	Door is not fully closed or latched	Press Start, then close the door firmly until latched.
	Start button was pressed but the door was not closed promptly	If the door was not closed within a few seconds of pressing Start, repeat the process.
	Power supply is off	Confirm the unit is connected to power and the circuit breaker is on.
	Delay Start option is selected	If Delay Start is selected, refer to the Delay section under Controls and Indicators and cancel if necessary.
Dishwasher Beeps at End of Cycle	This is normal. The audible signal indicates the cycle is complete.	No action required.
Rinse Aid Indicator Is Illuminated	Rinse aid level is low.	Refill the rinse aid dispenser.

TROUBLESHOOTING

PROBLEM	POSSIBLE CAUSE	POSSIBLE SOLUTION
Dishwasher Runs Too Long	Unit is connected to a cold water supply	Confirm the dishwasher is connected to a hot water supply (recommended 120 °F/49 °C incoming water temperature).
	Heavy soil level detected	Heavily soiled loads will automatically extend cycle time.
	Extended cycle or additional options selected	Certain options increase cycle duration. Review selected settings if shorter time is desired.
Dishes Are Not Dry	Rinse aid dispenser is empty or set too low	Refill rinse aid and increase the dispenser setting if necessary.
	Improper loading	Load dishes according to "Preparing and Loading Dishes" on page 13.
	Selected cycle does not include Heated Dry and/or Auto Open	Select a cycle with Heated Dry and/or Auto Open enabled.

TROUBLESHOOTING

PROBLEM	POSSIBLE CAUSE	POSSIBLE SOLUTION
Dishes Are Not Clean	Household water pressure is too low	Ensure household water pressure is at least 20 psi (138 kPa).
	Incoming water temperature is too low	Confirm connection to a hot water supply (120 °F/49 °C recommended).
	Improper loading (items blocking spray arms)	Load dishes to allow water circulation and spray arm rotation.
	Incorrect detergent type or quantity	Use fresh detergent and adjust quantity based on water hardness and cycle selection.
	Cycle selection does not match soil level	Select a cycle appropriate for the soil level.
	Spray arms are blocked	Inspect spray arms for debris and ensure they rotate freely.
Spots or Film on Dishes	Hard water conditions	For very hard water, consider installing a household water softener.
	Improper loading	Load dishes to allow proper water circulation.
	Old or low-quality rinse aid	Use fresh, liquid rinse aid.
	Rinse aid dispenser empty or set too low	Refill the rinse aid dispenser and increase the setting if necessary.

TROUBLESHOOTING

PROBLEM	POSSIBLE CAUSE	POSSIBLE SOLUTION
Etching (Cloudy or Permanent Glass Surface Damage)	Excessive detergent use (especially in soft water)	Reduce detergent quantity if household water is soft.
	Incoming water temperature above 150 °F (66 °C)	Ensure incoming hot water temperature does not exceed 120 °F–150 °F (49 °C–66 °C).
Detergent Remaining in Dispenser	Old or clumped detergent	Use fresh detergent.
	Spray arm blocked	Ensure no items block the detergent dispenser lid.
	Dispenser obstructed by dishware	Confirm spray arms rotate freely.
Detergent Dispenser Will Not Close	Overfilled detergent compartment	Do not overfill the detergent dispenser.
		Add detergent and rinse aid only to their designated compartments.
	Foreign object preventing closure	Ensure no detergent residue is preventing the lid from latching.
Water Remains in Dishwasher After Cycle	Cycle was interrupted before completion	Ensure the cycle has fully completed before opening the door.
		If necessary, restart or cancel the cycle to allow the unit to drain.

TROUBLESHOOTING

PROBLEM	POSSIBLE CAUSE	POSSIBLE SOLUTION
Dishwasher Does Not Drain Properly	Clogged sink drain or disposer	Check and clean the air gap, if installed.
	Kinked drain hose	Ensure the garbage disposer is clear (if connected).
	Air gap obstruction (if equipped)	Inspect the drain hose for kinks or improper routing.
	-	To initiate a drain cycle, press and hold START/CANCEL for 3 seconds, then close the door. The unit will run a drain cycle (approximately 60 seconds).
Excessive Suds in Tub	Using improper detergent or pod style cleaners.	Make sure to use only automatic dishwasher detergent.
		If using an oversized detergent pod that prevents the dispenser lid from closing properly, place the pod directly into the bottom of the dishwasher tub near the filter area.
Dishwasher Leaks	Excessive suds from improper detergent	Use only automatic dishwasher detergent.
	Appliance not level	Confirm the appliance is properly leveled (refer to the Installation Manual).

TROUBLESHOOTING

PROBLEM	POSSIBLE CAUSE	POSSIBLE SOLUTION
There are black or gray marks on the dishes	Aluminum utensils have rubbed against the dishes	Ensure the dishwasher is loaded properly.
Interior Tub Stains	Coffee or tea stains	Use a dishwasher-safe cleaning product designed for stain removal.
	Tomato-based food residue	Run a rinse cycle shortly after loading items with tomato-based residue to reduce staining.
	Mineral deposits	
Operational Noises	Detergent dispenser opening	Operational sounds during washing and draining are normal.
	Drain pump operating	If noise continues after the cycle is complete, contact service.
	Hard object (such as a seed or fragment) contacting the wash module	
Dishwasher Will Not Fill (Unit Beeps)	Water supply valve closed	Confirm the water supply valve is fully open.
	Door not fully latched	Close the door firmly until it latches.

WARRANTY

COVERAGE

ZLINE Kitchen and Bath ("ZLINE") dishwashers have a one year parts and service warranty.

ZLINE warranty periods begin from the original date of product delivery and solely cover the original purchaser of the product, delivered new and in its original carton. The limited warranty covers all parts and labor for necessary repairs if any part of the product, or the product itself, proves to be defective in materials or workmanship. The product must be deemed serviceable via troubleshooting with the ZLINE Customer Experience team. All service on ZLINE products under warranty must be performed by ZLINE-approved and ZLINE-certified service providers unless otherwise specified by ZLINE. Service will be provided during normal business hours. Products must be unobstructed and accessible to the service provider at the time of service. ZLINE's liability is limited to the original purchase price of the product. Additional injuries, losses, damages, or other inconveniences caused by product malfunction or defects in materials are not covered under the terms of this warranty.

TERMS

ZLINE warranties apply only to the original purchaser of a ZLINE product installed for normal residential use. This is defined as a single-family, residential dwelling in a non-commercial setting. Any warranty claim stemming from installation, operation, or any other use within a commercial setting is not covered under this limited warranty. Commercial settings include, but are not limited to: schools, churches, hotels, restaurants, vacation rentals such as Airbnb, daycare centers, private clubs, fire stations, common areas in multi-family dwellings, nursing homes, food service locations, and institutional food service locations such as hospitals or correctional facilities.

This warranty is non-transferable and will not under any circumstance be extended based on the date of installation — the warranty period takes effect from the date of delivery and only covers the original purchaser. The warranty applies only to products installed in the contiguous United States and the District of Columbia. Failure to secure certified warranty service per these terms will result in a forfeiture of the remaining warranty.

WARRANTY

Out-of-pocket payments will not be reimbursed unless prior approval is received from ZLINE and/or ZLINE-certified service contract partners. Unapproved out-of-pocket payments for service will not be reimbursed. All warranty procedures must be followed to maintain warranty coverage.

If a product qualifies within the service window provided under these warranty terms, and ZLINE is unable to repair the product or a defective part of the product after a reasonable number of attempts, ZLINE reserves the right to offer to replace the defective part or the product or provide the original purchaser a full refund of the purchase price of the product (not including installation, removal, or other charges that were not included in the original purchase price).

The original purchaser of the product must provide the original proof of purchase, including the purchase date, when filing a claim to obtain replacement parts, service, or refunds. Additionally, the original purchaser of the product must provide the serial number of the product when filing a claim to obtain replacement parts, service, or refunds.

This warranty shall not apply to any ZLINE product in which the original factory serial number has been removed, altered, or cannot be readily determined for any reason. Further, ZLINE is not responsible for damage resulting from, but not limited to: shipment, delivery, or improper installation; negligence or improper maintenance, misuse, or abuse of the product; unauthorized alteration, modification, or tampering with the product; accident, fire, floods, pest infestations, pandemics, natural disasters, or any other unpreventable or unexplained acts of nature, commonly referred to as "acts of God"; flare-up fires or damages caused by improper electric supply, electrical line current, voltage, or power surges; and service to correct installation not in accordance with the instructions contained in ZLINE's product manuals and/or with local government codes.

This warranty does not apply to aesthetic damage, scratches, or natural wear caused by normal use; second-hand, open box products, or products purchased from an unauthorized retailer; and damages or issues stemming from alteration or tampering with the dishwasher, including, but not limited to, painting any portion of the product's interior or exterior and altering or otherwise manipulating the power cord.

WARRANTY

In the event service is dispatched, and it is discovered that the reported issue is not covered under warranty based on the disclaimers above, the customer will be responsible for all service fees. Failure to pay these fees will result in the forfeiture of remaining warranty coverage.

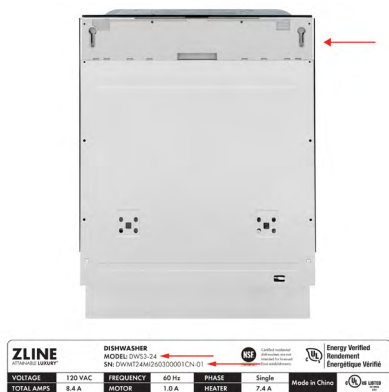
Information contained within ZLINE's installation and user manuals, in addition to product information included on ZLINE's website and all related digital listings, do not cover every possible condition and situation that may occur during the installation or operation of ZLINE products.

ZLINE reserves the right to make changes at any time to its products when considered safe, necessary, and useful. Always check the ZLINE website for the most up-to-date version of its product manuals: www.zlinekitchen.com/pages/manuals.

Do not install or operate any ZLINE product if it has missing or broken parts or if it arrives damaged due to shipping. If ZLINE products arrive damaged, contact ZLINE Customer Experience at 1-614-777-5004 for help. Failure to report a damaged appliance prior to installation or operation may void the warranty.

ZLINE disclaims responsibility for damage or injury caused by improper installation or use of any of its products. ZLINE is under no obligation, by law or otherwise, to provide concessions, including repairs, prorates, rebates, discounts, or replacements, once the warranty has expired.

SERIAL NUMBER LOCATION



Please write down the model number and serial number of your appliance. Both numbers are located on the rating tag located on the right-hand side of the inner door of the dishwasher. The tag is visible when the dishwasher door is open. Do not remove permanently affixed labels, warnings, or plates from the product. This will void the warranty. You may also consider attaching your receipt or proof of purchase to this manual.

WARRANTY



SERVICE

For warranty service, please contact our Customer Service team at 1-614-777-5004 or visit www.zlinekitchen.com/contact to utilize our online Customer Experience Portal.



Scan the QR code to view the most up-to-date version of our Installation Manual and User Manual.



Need to purchase a part or accessory for your ZLINE product? Visit www.zlineparts.com, ZLINE's official parts distribution partner.

4.1.0

zlinekitchen.com

1-614-777-5004

contact@zlinekitchen.com

ZLINE
ATTAINABLE LUXURY®