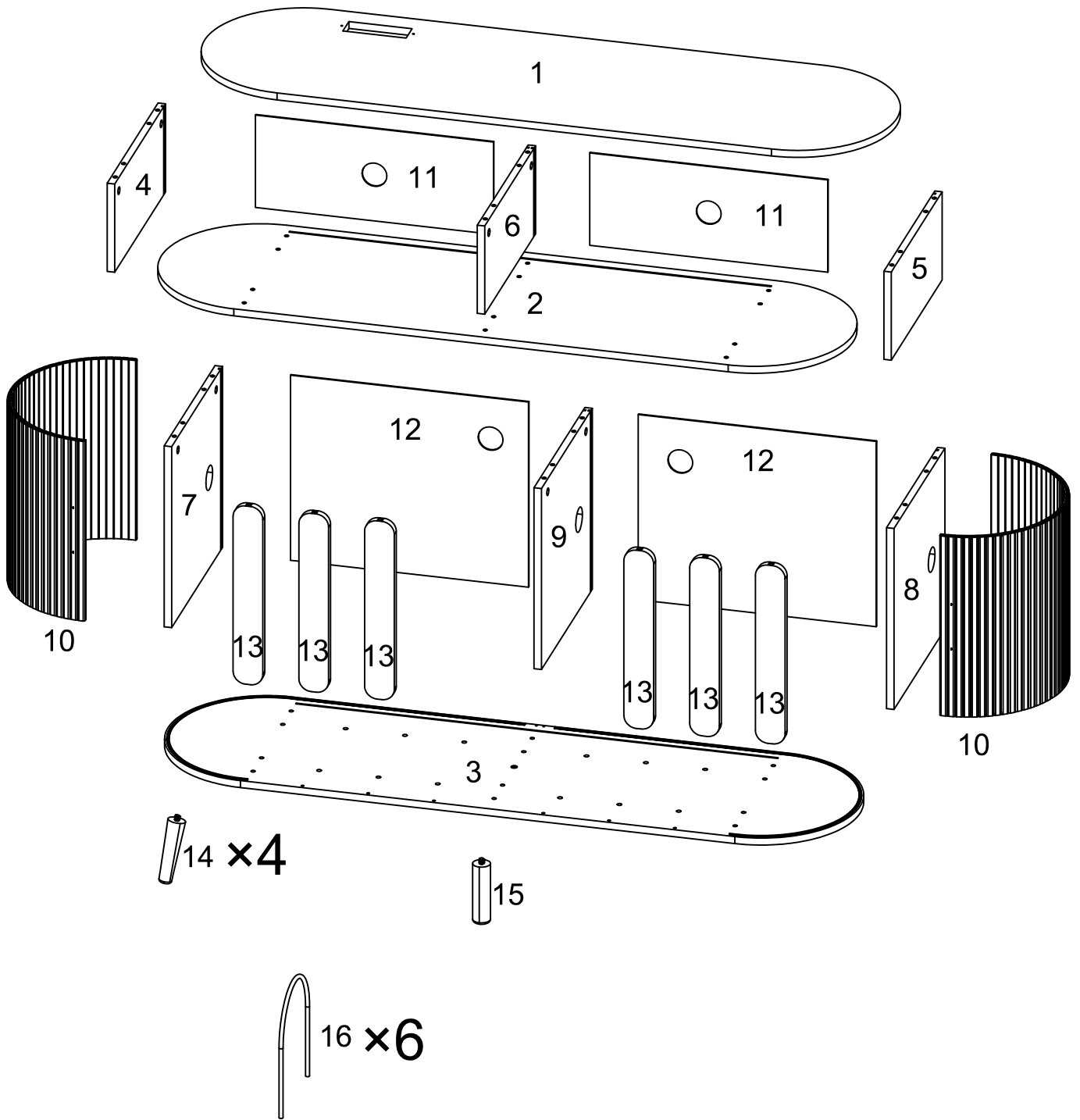


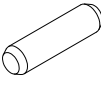





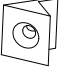

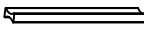






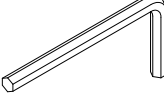



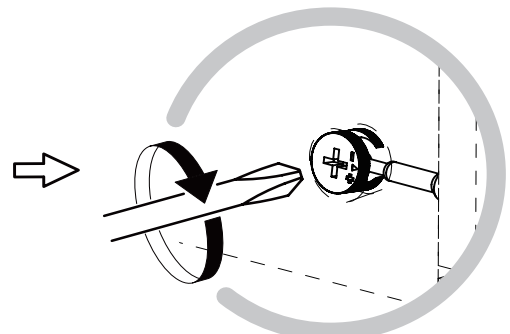
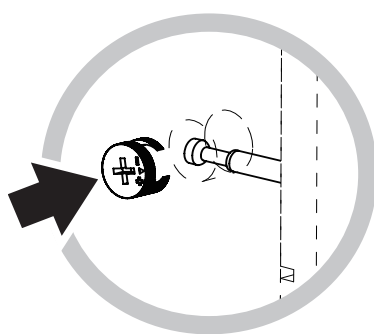
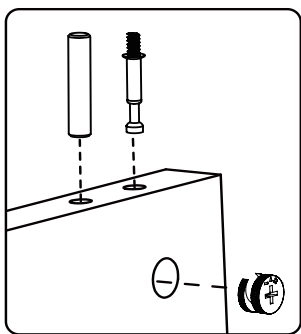
# EXPLODED DRAWING



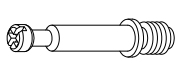

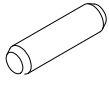

# PARTS

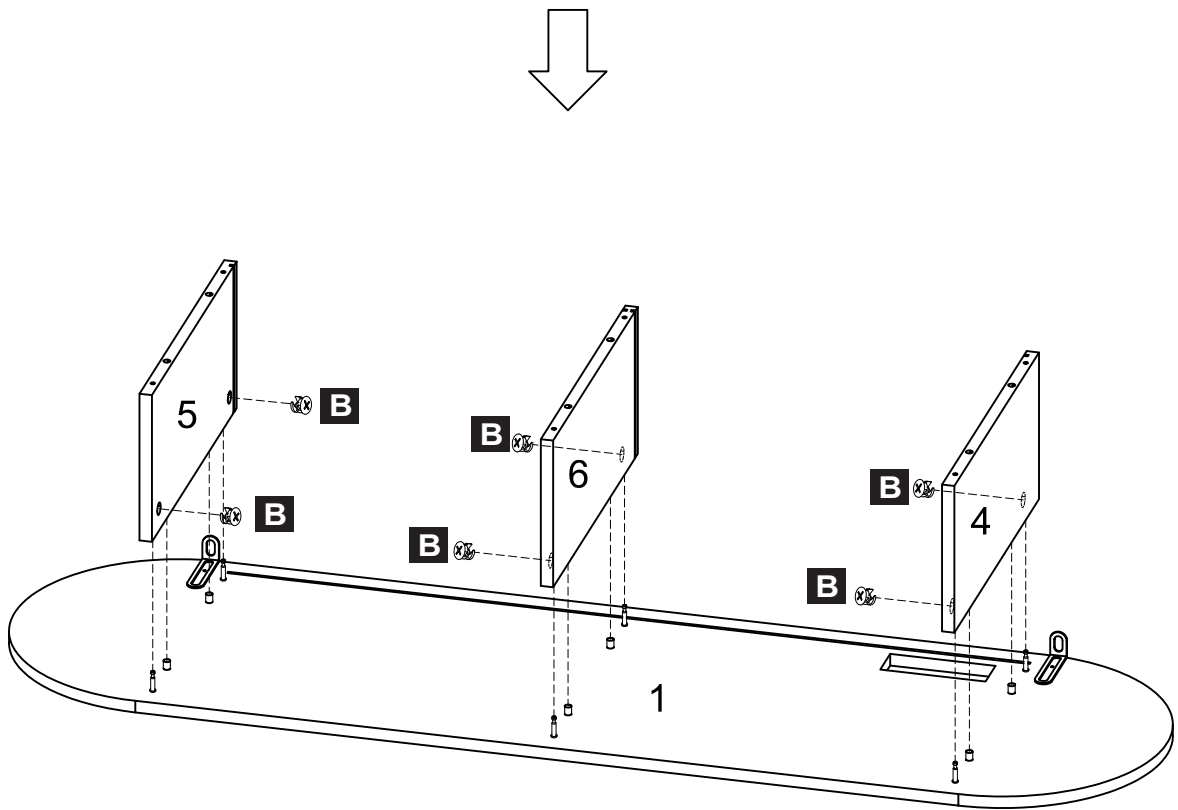
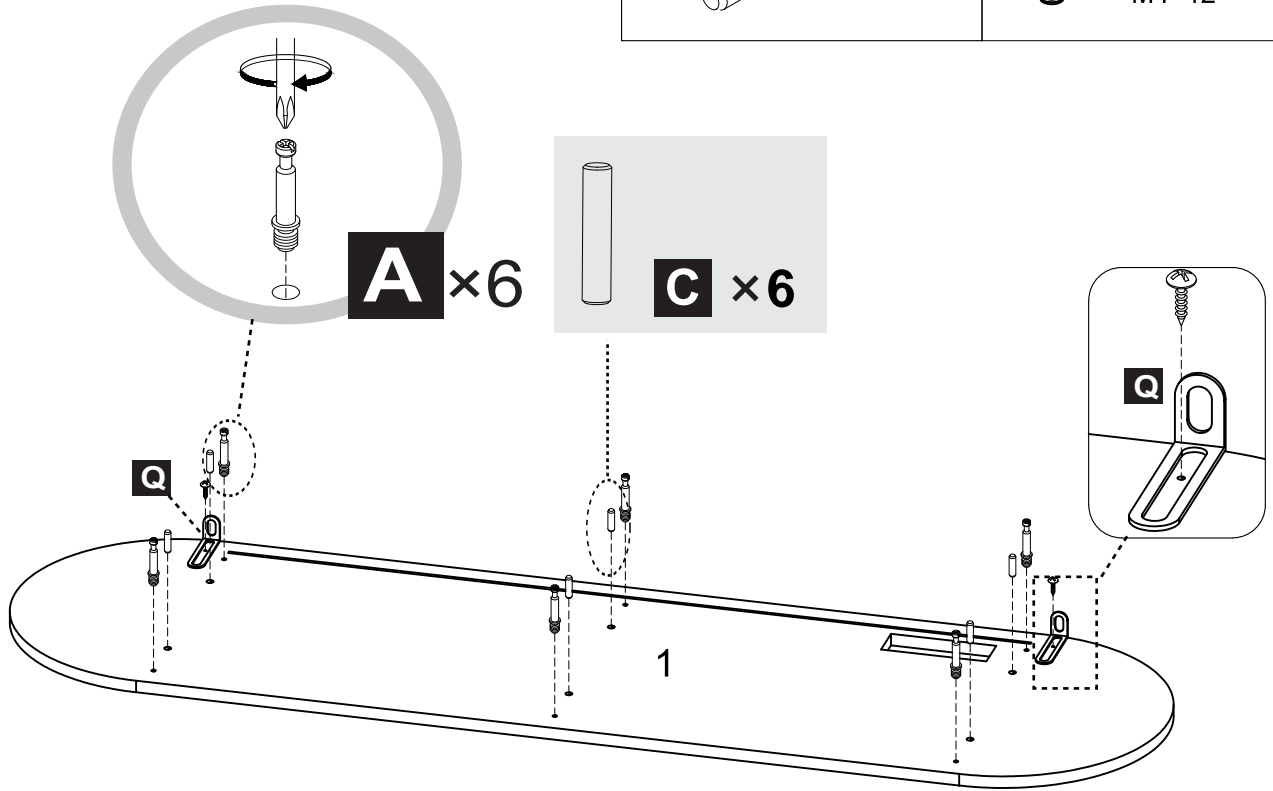
	<b>A</b> × 12		<b>B</b> × 12 M15 × 12		<b>C</b> × 24 M8 × 30		<b>D</b> × 12 M7 × 50
	<b>E</b> × 12 M4 × 22		<b>F</b> × 4		<b>G</b> × 22 M4 × 14		<b>H</b> × 1 M6 × Ø23 × 15
	<b>J</b> × 16		<b>K</b> × 16 M3 × 14		<b>L</b> × 2 110		<b>M</b> × 4 M4 × 12
	<b>N</b> × 12		<b>P</b> × 2 M4 × 12		<b>Q</b> × 2 M4 × 12 M4 × 35		<b>R</b> × 12
	<b>S</b> × 1		<b>T</b> × 1 M4		<b>U</b> × 1		

## MINIFIX POSITION



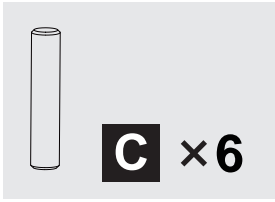
1

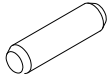

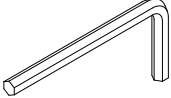
	<b>A</b> × 6 M6×35		<b>B</b> × 6 M15×12
	<b>C</b> × 6 M8×30		<b>Q</b> × 2 M4×12

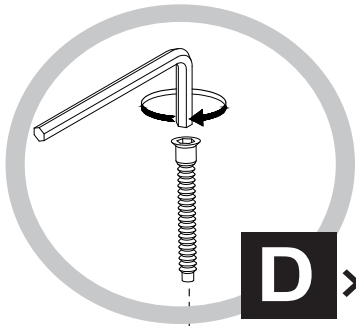
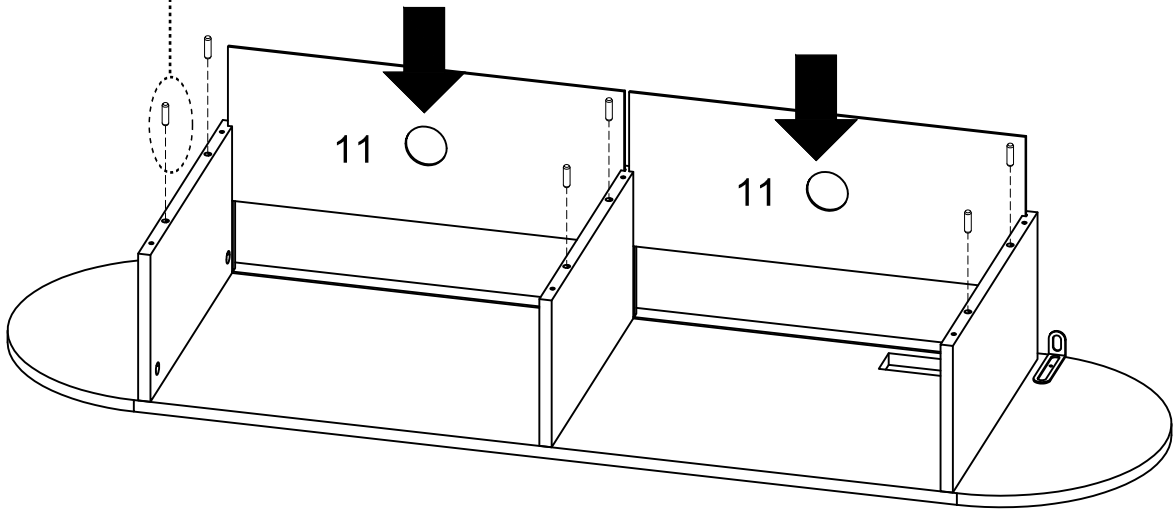


3

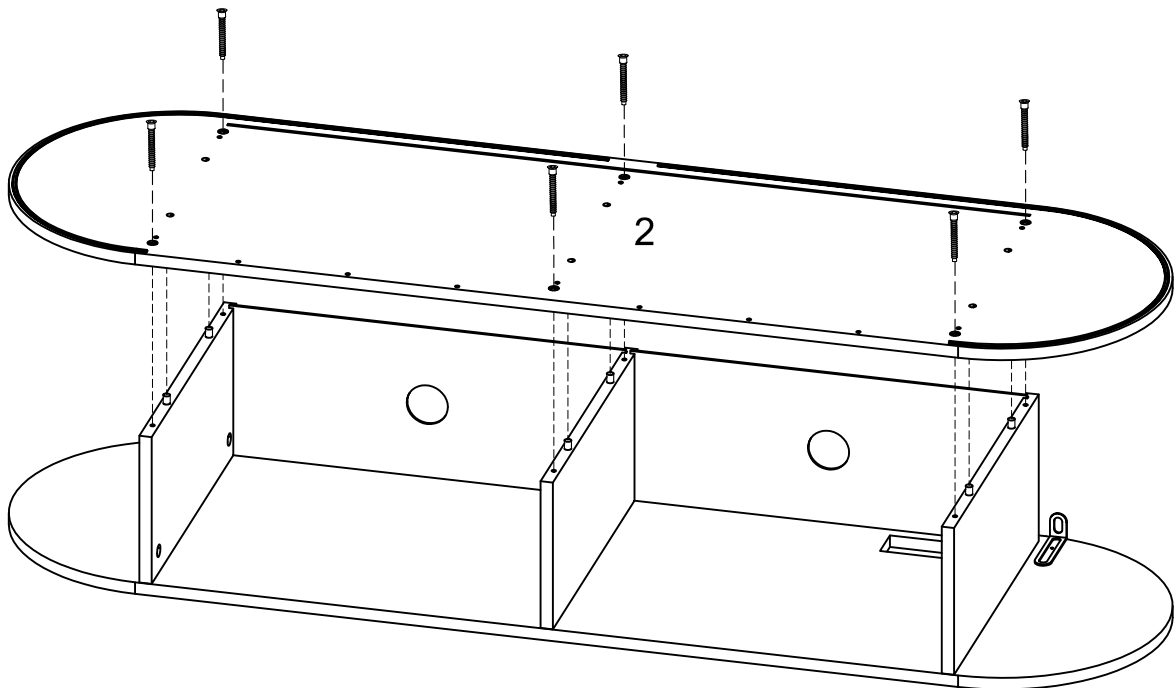
**2**



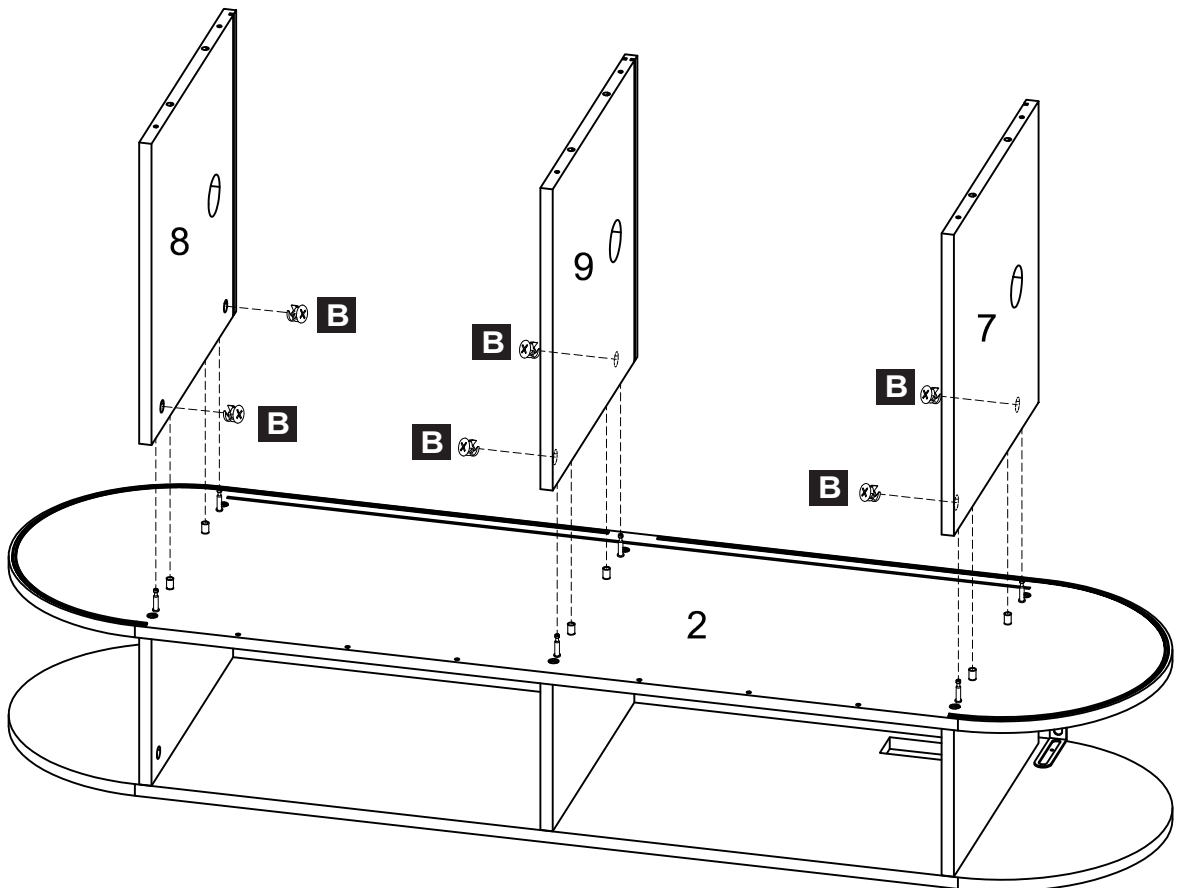
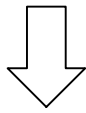
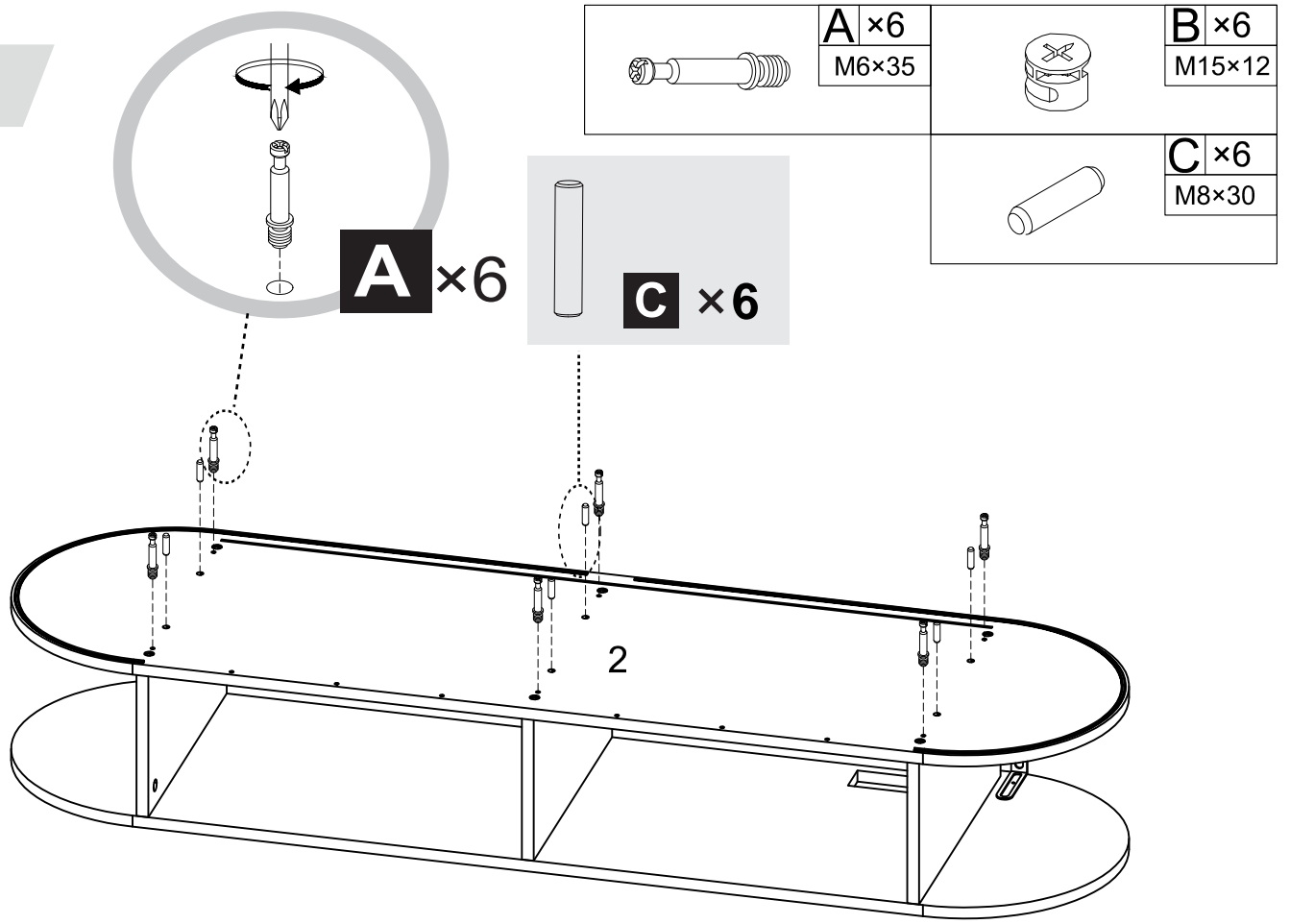
	<b>C</b> × 6 M8 × 30		<b>D</b> × 6 M7 × 50
			<b>T</b> × 1 M4



**D** × 6

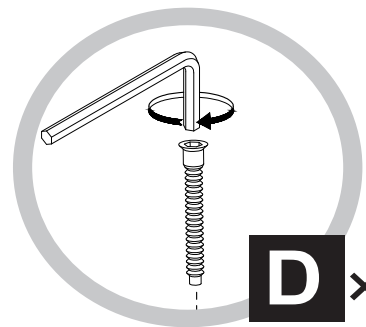
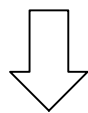
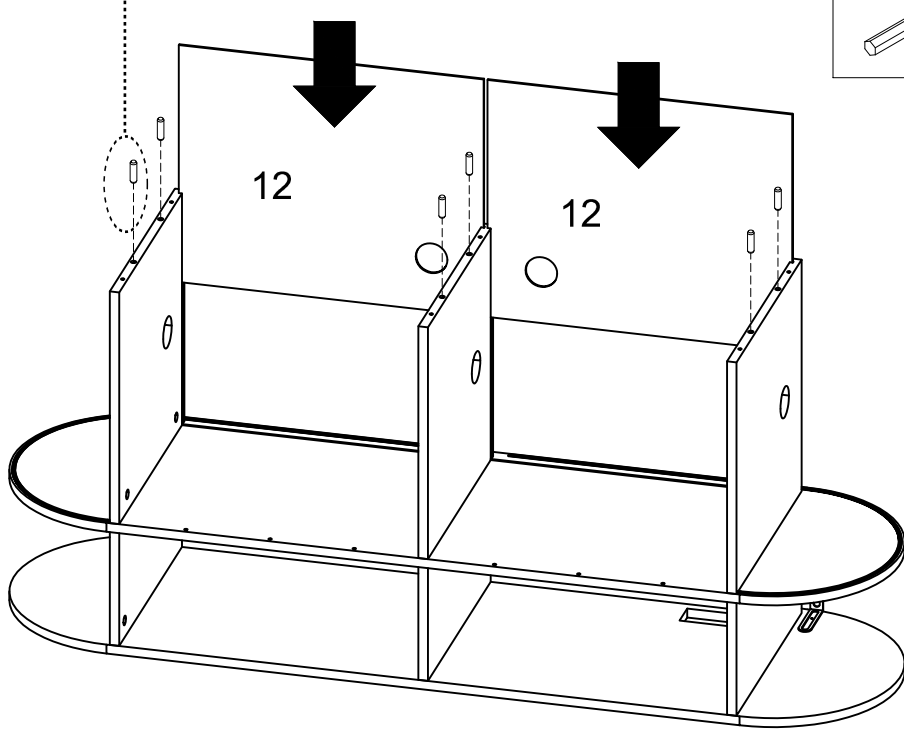
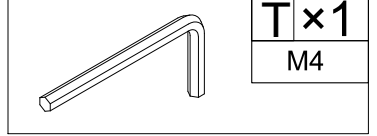
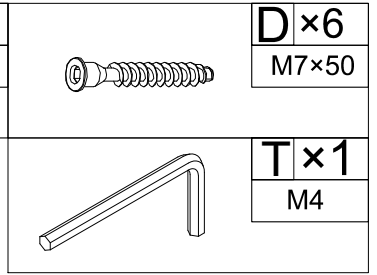
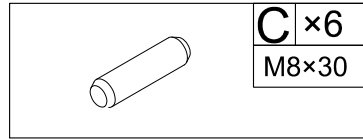
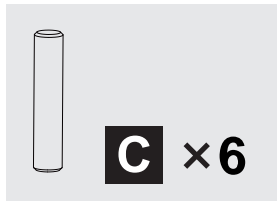


3

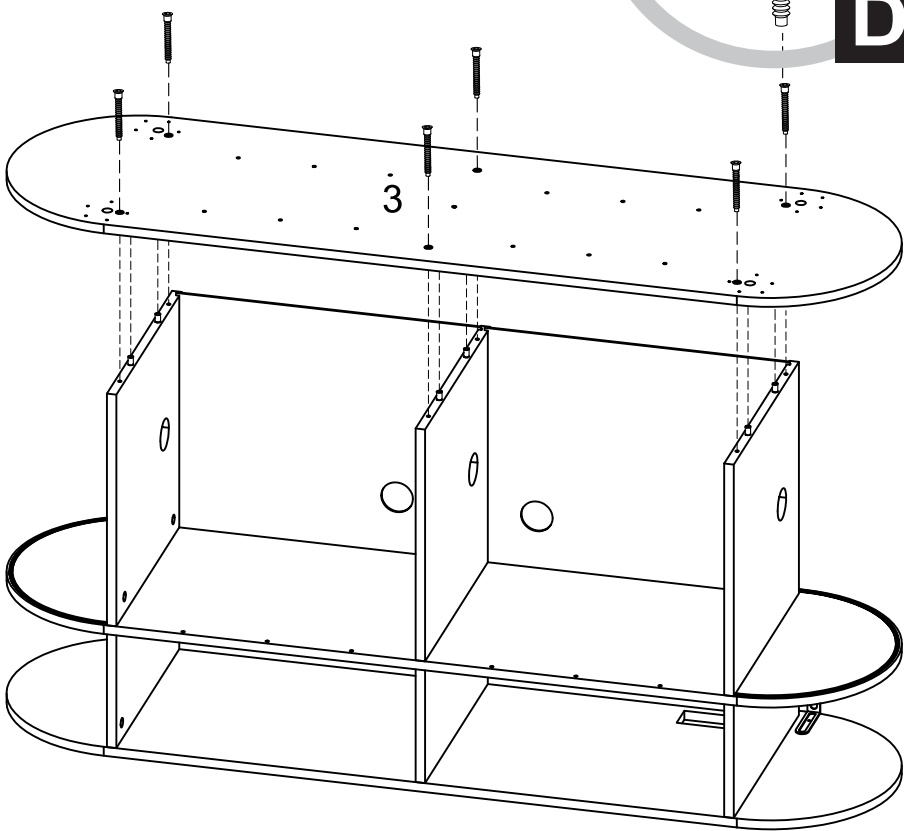


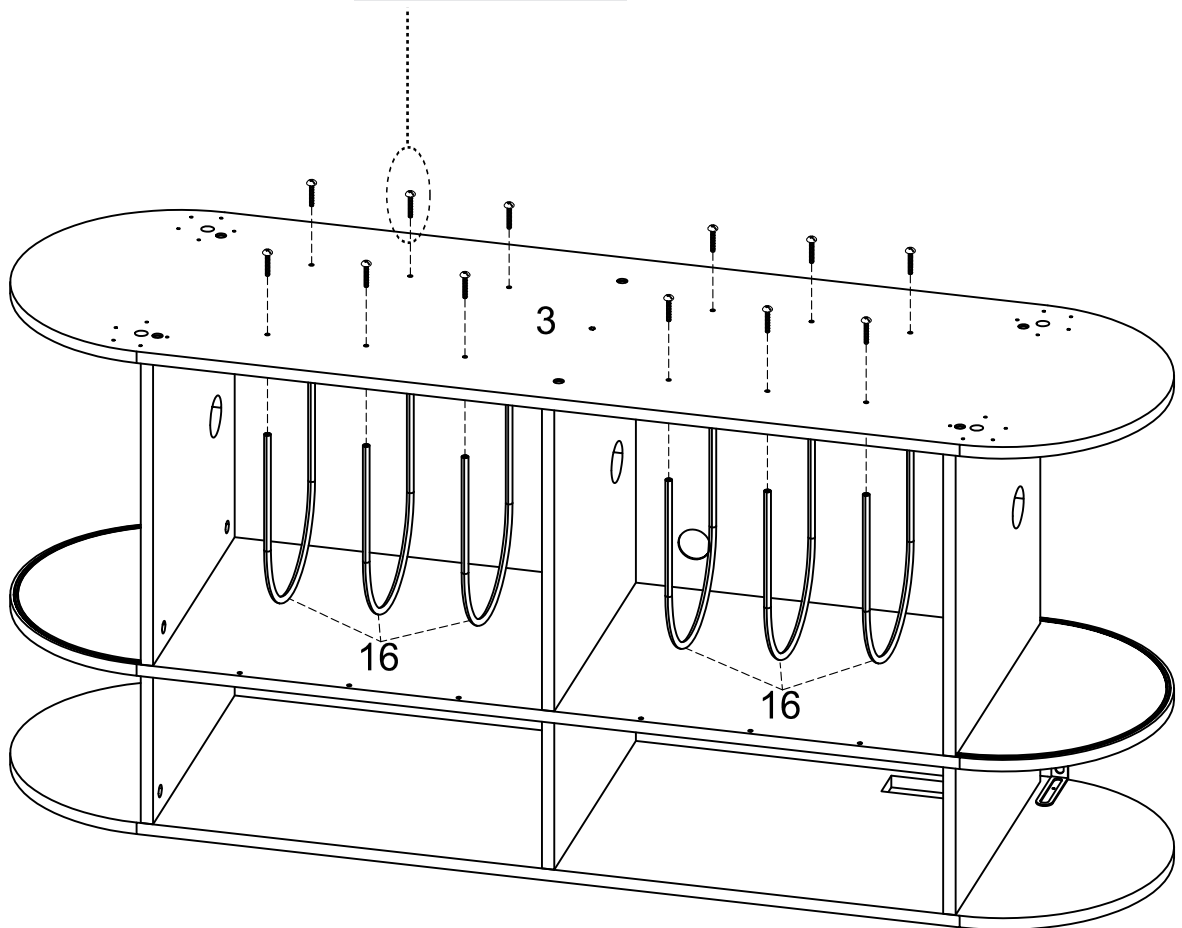
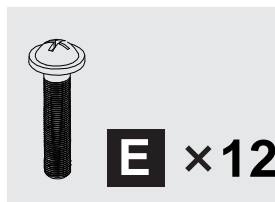
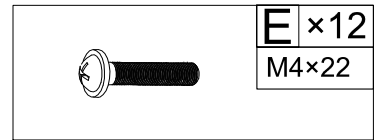
5

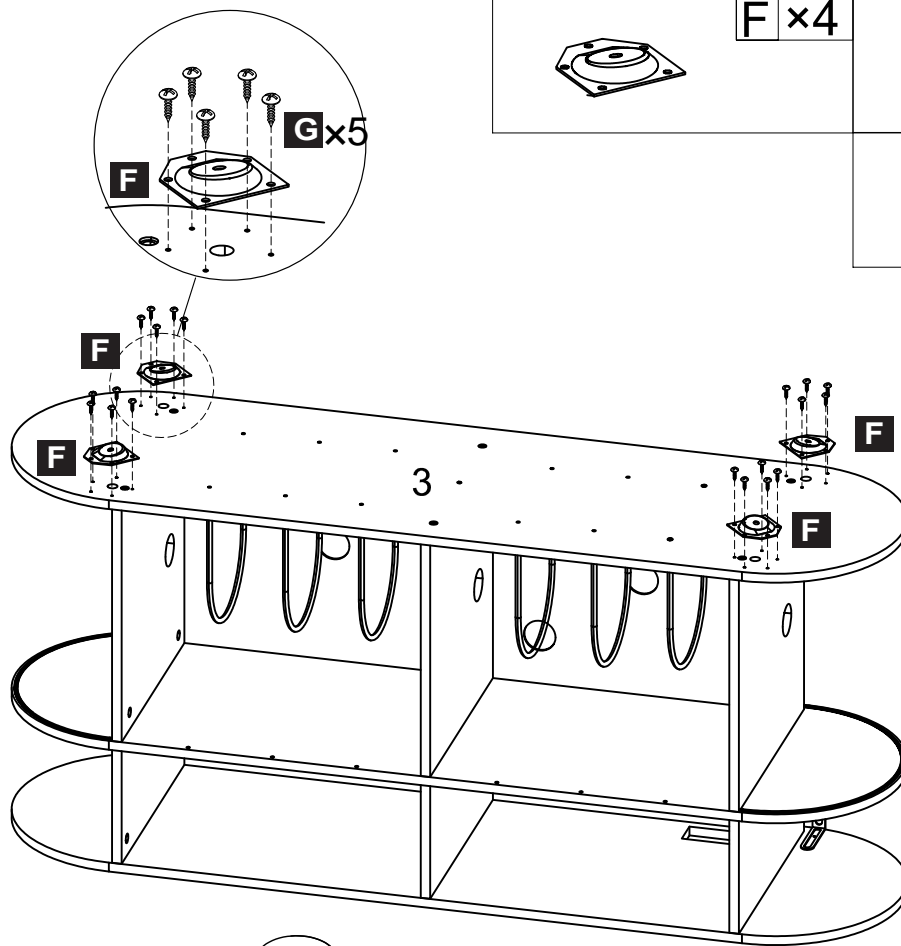
4






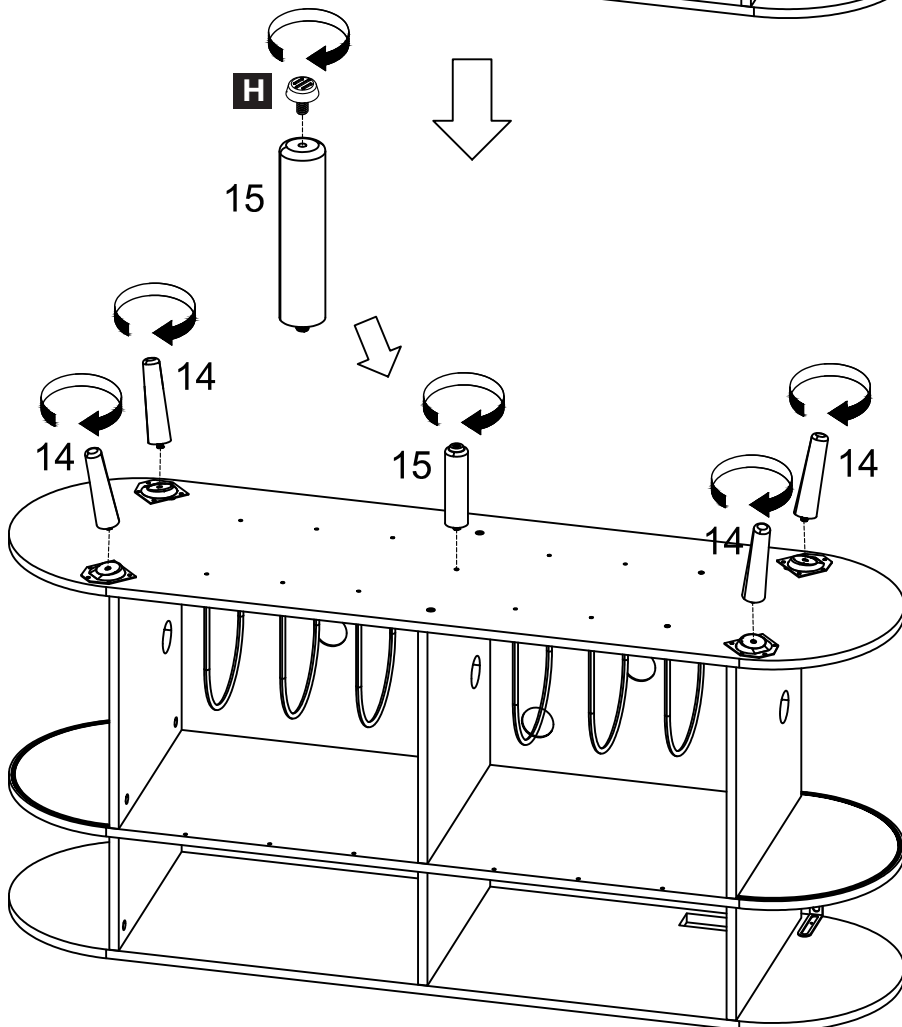
**D** × 6







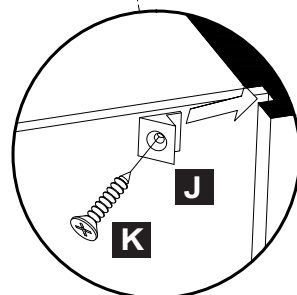
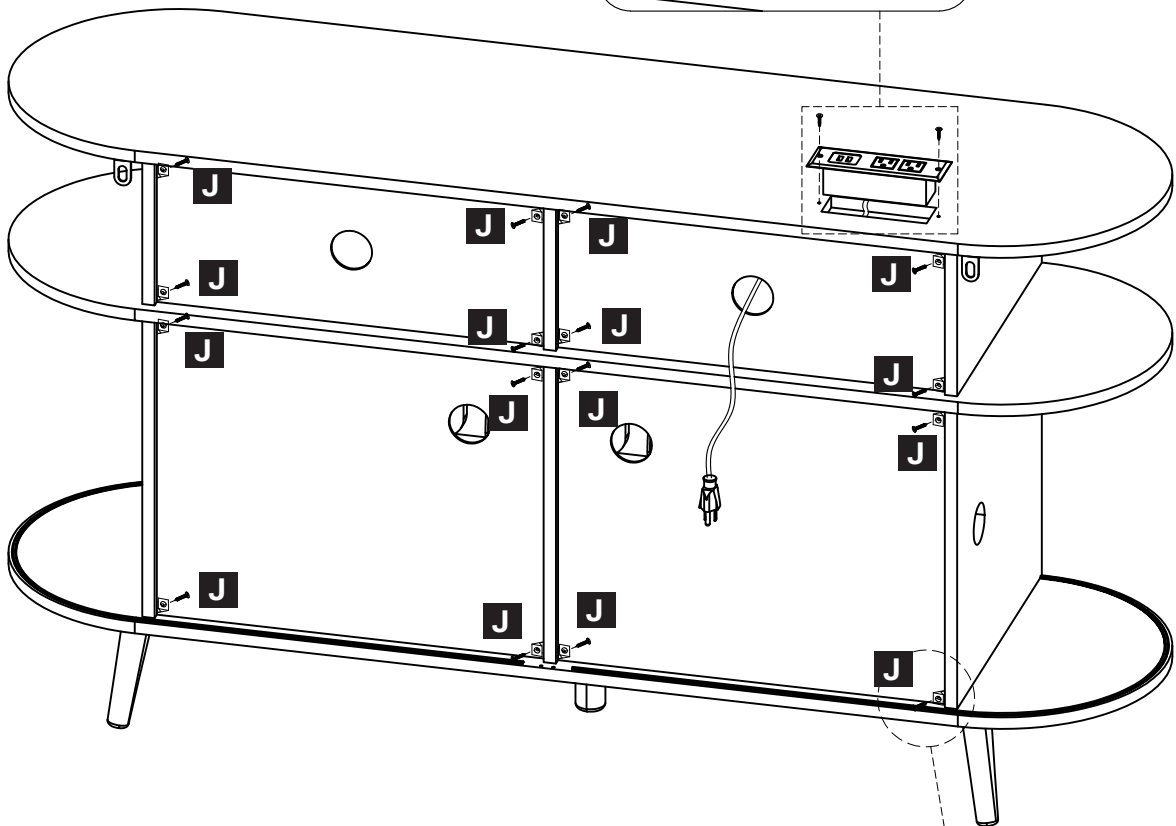
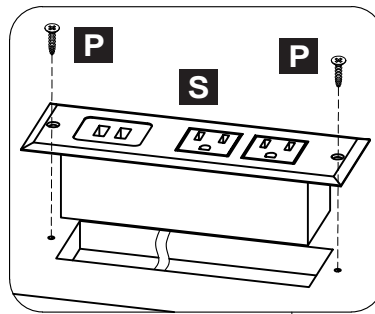


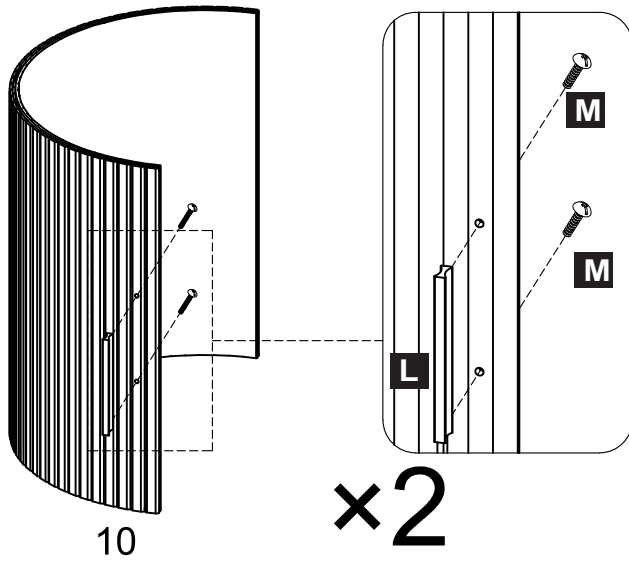


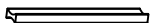
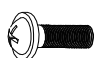
	<b>F x 4</b>		<b>G x 20</b> M4 x 14
			<b>H x 1</b> M6 x Ø23 x 15

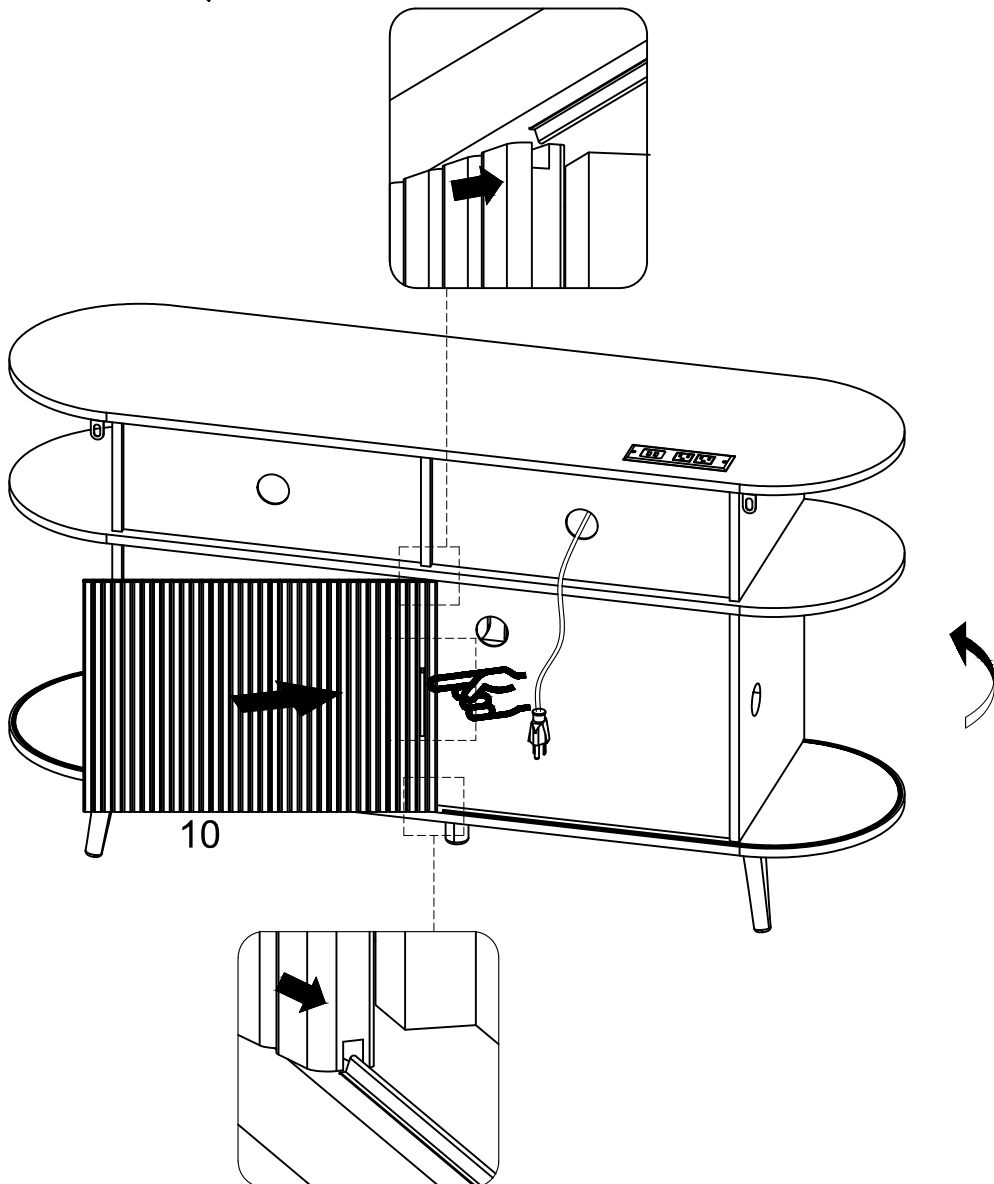
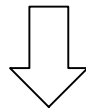


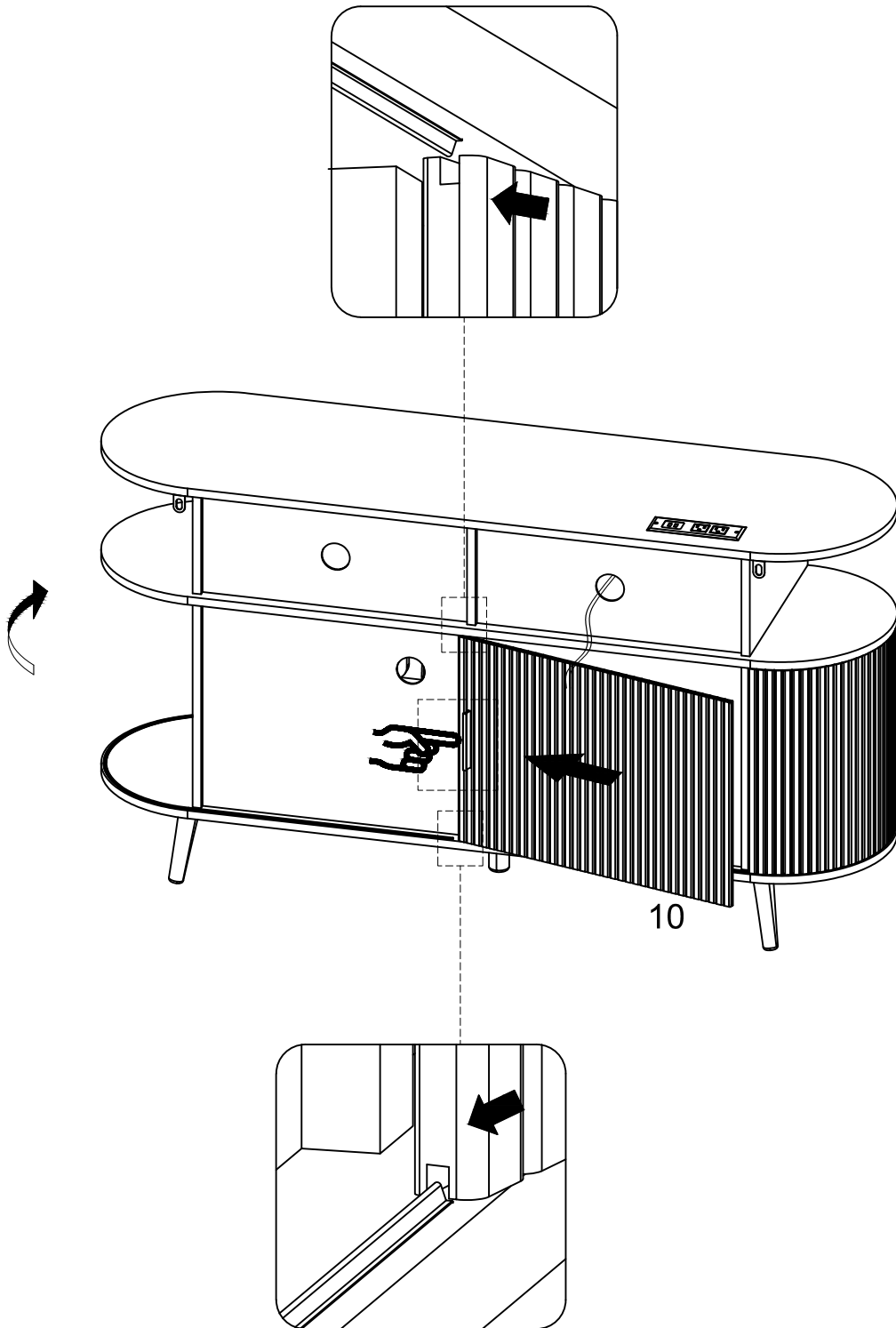
	<b>J</b> × 16		<b>K</b> × 16 M3 × 14
	<b>S</b> × 1		<b>P</b> × 2 M4 × 12




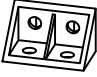



	$L \times 2$ 110
	$M \times 4$ M4x12





10

	<b>G</b> × 2 M4 × 14		<b>U</b> × 1
			<b>R</b> × 12

