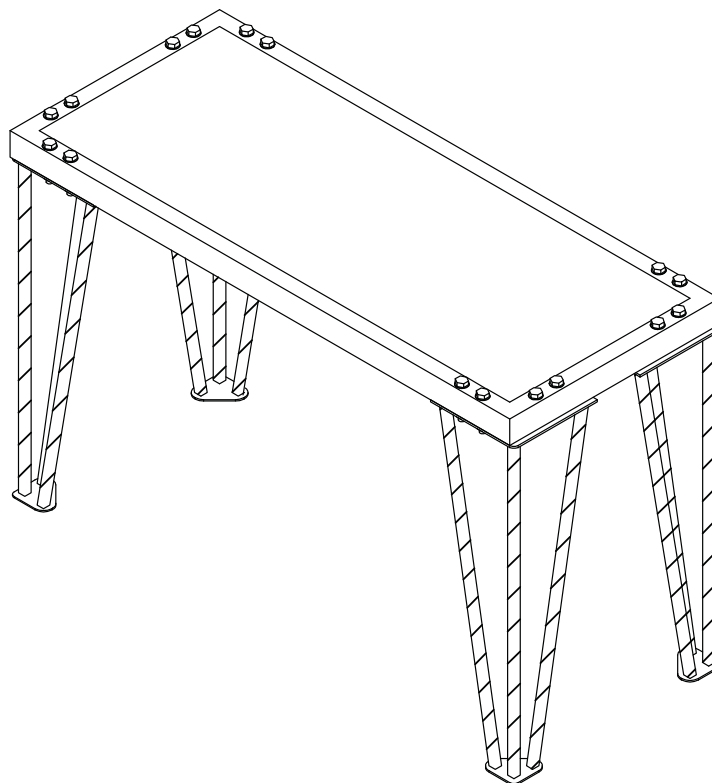


Assembly Instructions



ASSEMBLY RATING

The Assembly Rating is a 5-point system that shows the degree of effort needed in assembling a specific product (with 1 being easy and 5 being difficult). For some products, two persons are recommended.

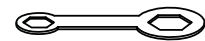
EASY



DIFFICULT

Tools Required For Assembly:

Box wrench



(Included)

Phillips Screwdriver



(Not Included)

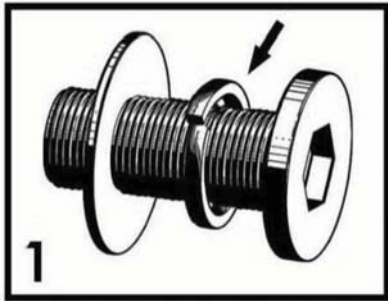


2 PERSONS RECOMMENDED

ASSEMBLY & CARE ADVICE

FOR YOUR FURNITURE TO LAST, CORRECT ASSEMBLY AND PROPER MAINTENANCE ARE NECESSARY. PLEASE FOLLOW THE INFORMATION PROVIDED BELOW TO FULLY ENJOY YOUR FURNITURE.

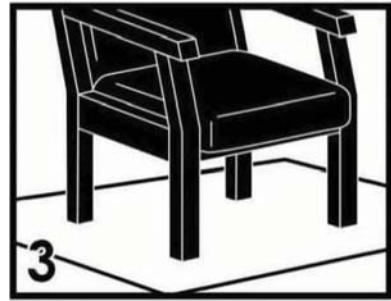
BASIC ASSEMBLY TECHNIQUES



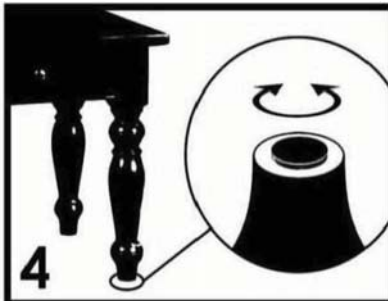
When lock or spring washer is used in an assembly, please make sure the lock or spring washer is placed between the larger flat washer and the head of the screw or bolt.



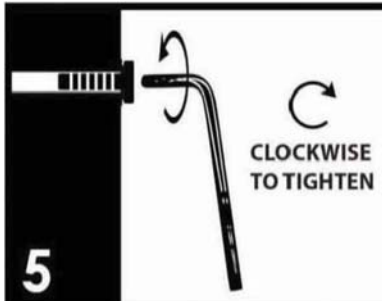
Position each part correctly and insert screws or bolts into their respective holes by hand tighten or using the proper hand tool. Only tighten when step is completed or when instructed to do so.



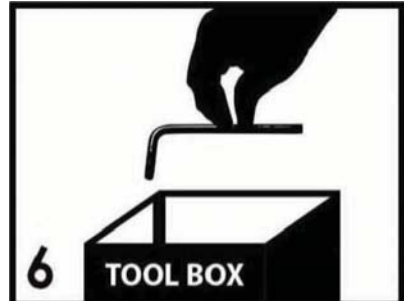
Use cardboard or carpet area when assembling furniture to prevent scratches. Make sure the furniture rests on a flat and level surface with each leg evenly touching the floor.



Some furniture comes with height adjustment knobs underneath each leg. To lower or to raise each leg, you need to turn clockwise or counterclockwise, respectively.

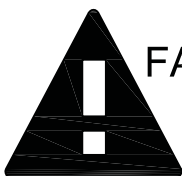


Make sure all parts are properly aligned, then use the appropriate hand tool to completely tighten the bolts or screws. Do not use power tools and do not overtighten.



Save the instructions and store the Allen wrench or any supplied tool for later maintenance. After two weeks, check and tighten any loose hardware and repeat again every six months thereafter.

IT IS THE USER'S RESPONSIBILITY TO MAINTAIN THE FURNITURE. THE HARDWARE MAY LOOSEN OVER TIME AND MAY CAUSE THE FURNITURE TO BE WOBBLY AND UNABLE TO SUPPORT ITS INTENDED WEIGHT CAPACITY. THIS MAY LEAD TO COLLAPSE AND MAY CAUSE SERIOUS INJURY.



FAILURE TO FOLLOW THE GUIDELINES ABOVE MAY RESULT IN INJURY AND/OR PROPERTY DAMAGE.

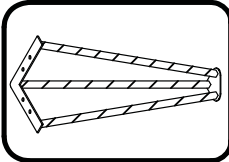
ALL RIGHTS RESERVED.



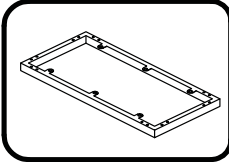
Before you begin, please read Page 2 of "Assembly and Care Advice".

And remember, do not tighten until each step is completed or instructed.

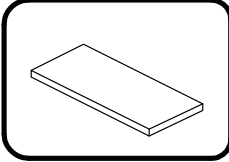
Parts List



#1 x 4pcs
Leg Support

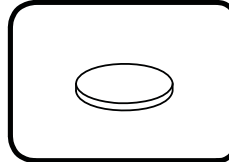


#2 x 1pc
Top Frame

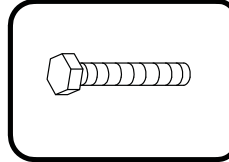


#3 x 1pc
Wood Top

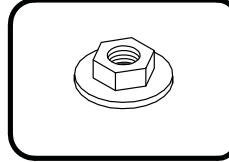
Hardware List



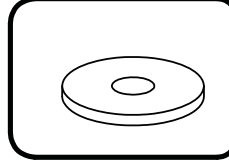
#A x 4pcs
Foot Pad



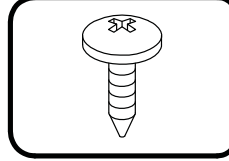
#B x 16pcs
Bolt 5/16"X2-1/2"



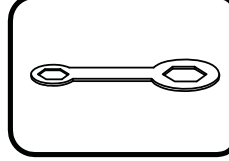
#C x 16pcs
Nut



#D x 16pcs
Washer



#E x 6pcs
Screw 1/16"X1/2"



#F x 1pc
Box wrench



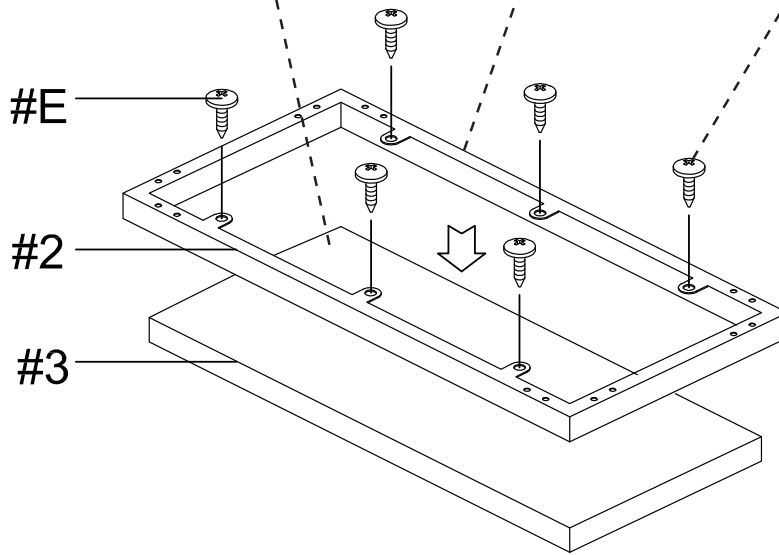
#1

#E x 6pcs

1. Place the wood top (#3) face down onto a protected surface.

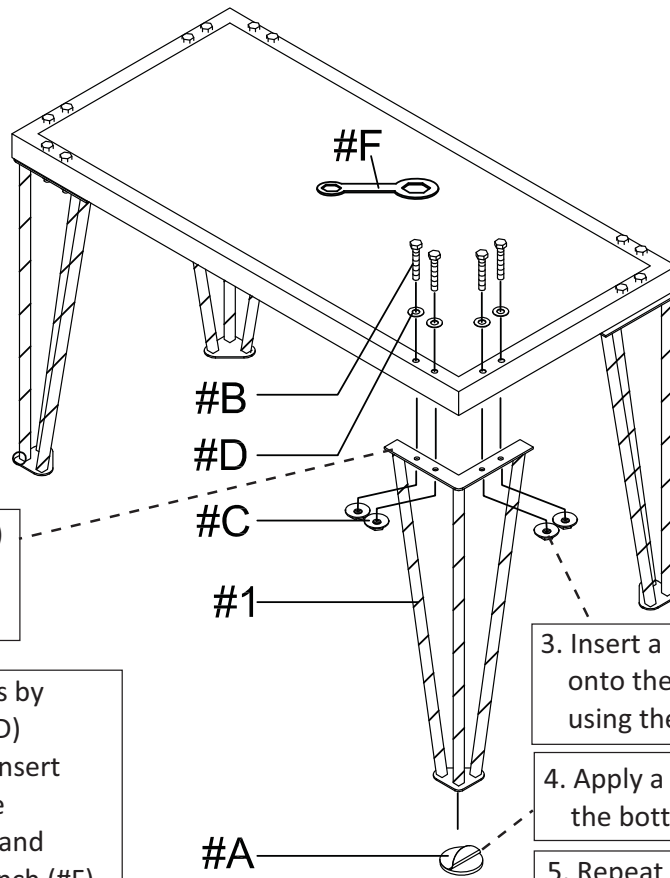
2. Place the top frame (#2) onto the wood top (#3) and align the holes.

3. Insert a total of 6 screws (#E) into the holes and secure using a Phillips screwdriver.



#2

#A x 4pcs
#B x 16pcs
#C x 16pcs
#D x 16pcs



1. Align the leg support (#1) to the bottom corner of the top frame (#2).

2. Prepare 4 bolt assemblies by inserting a flat washer (#D) onto the bolt (#B). Then insert 4 bolt assemblies into the corner holes from above and secure using the box wrench (#F).

3. Insert a nut (#C) from below onto the bolt ends. Secure using the box wrench (#F).

4. Apply a foot pad (#A) to the bottom of the leg.

5. Repeat the process for the remaining support legs.