

# Assembly Instructions

Before beginning the assembly process, please read and save these instructions for reference.

Following these guidelines will ensure a smooth and successful assembly of your product.

## 1. Part Identification:

Carefully separate and identify all the parts included in your package. Confirm that you have all the components listed in the instruction manual. This step will help you avoid any missing or misplaced parts during assembly.

## 2. Work Surface:

To prevent any scratches or damage to the product, assemble it on a soft mat or a similar protective surface. This will provide a cushioned area for the components and protect the surfaces from unwanted marks.

## 3. Step-by-Step Assembly:

Follow the assembly instructions provided, proceeding one step at a time. Take care to understand each step properly before proceeding to the next one. This sequential approach ensures that the assembly is done correctly and minimizes the chance of errors.

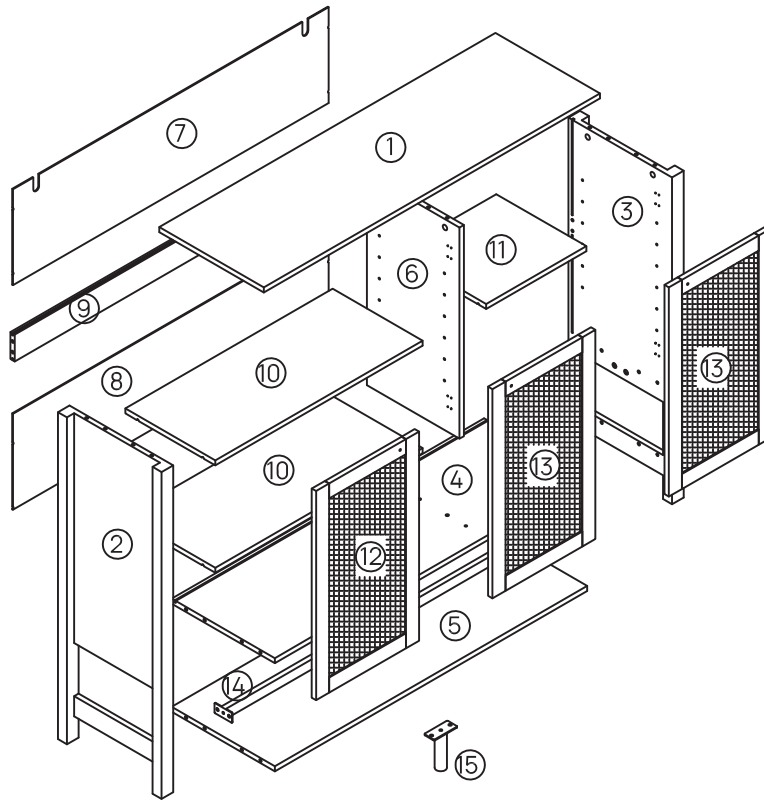
## 4. Proper Screw Seating:

When attaching screws and nuts, it is essential not to fully tighten them until all screws are correctly seated. By partially tightening each screw and nut initially, you can ensure that they are aligned properly and fit securely before final tightening.

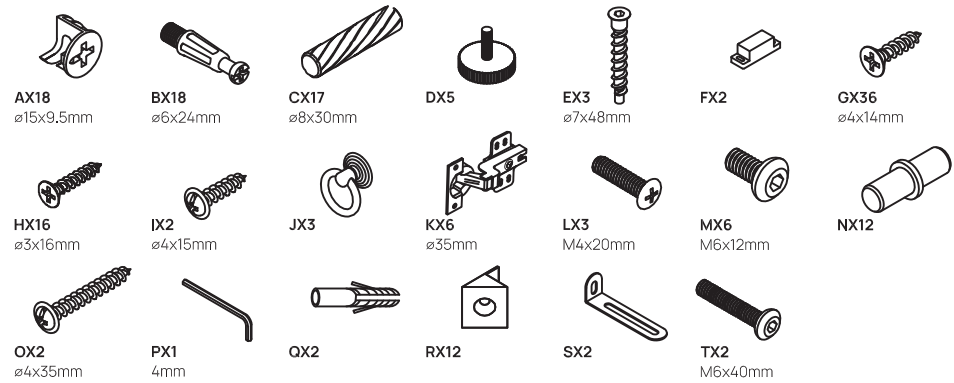
## 5. Avoid Over-Tightening:

While each screw and nut should be tightened correctly, it is crucial not to over-tighten them. Over-tightening can cause damage to the product or compromise its structural integrity. Use the appropriate amount of force to secure the components without excessive tightening.

# Parts List



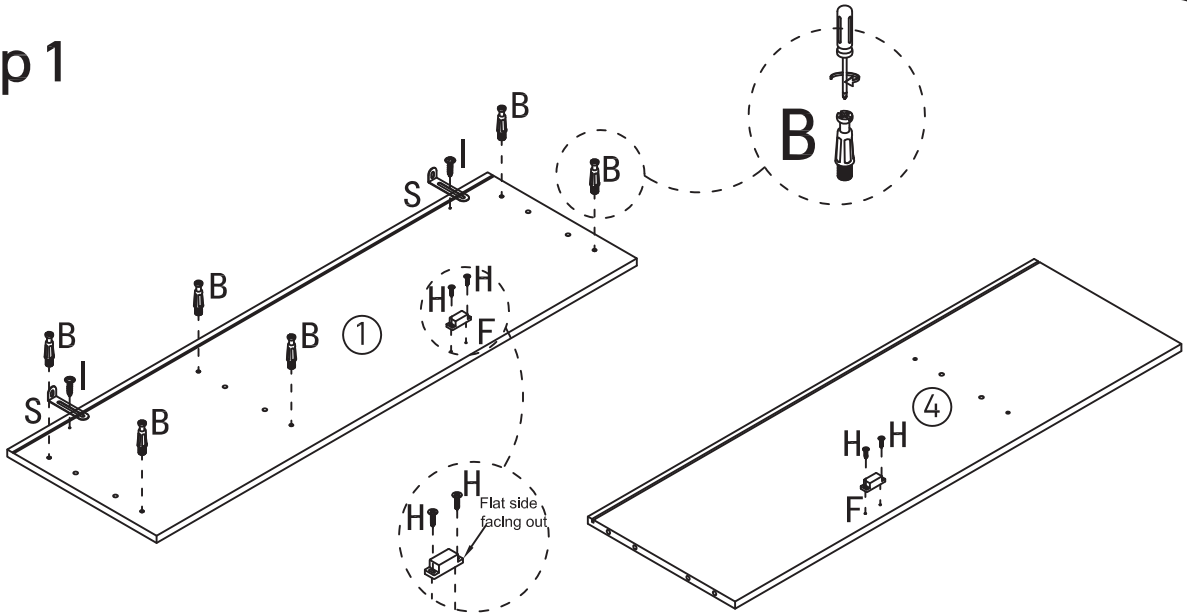
# Hardware List


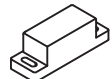





Code	Description	Quantity
A	ø15x9.5mm Cam lock	18+2
B	ø6x24mm Cam bolt	18+2
C	ø8x30mm Wood dowel	17+2
D	Foot pad	5+1
E	ø7x48mm Screw	3+1
F	Stop block	2
G	ø4x14mm Screw	36+2
H	ø3x16mm Screw	16+2
I	ø4x15mm Screw	2
J	Handle	3

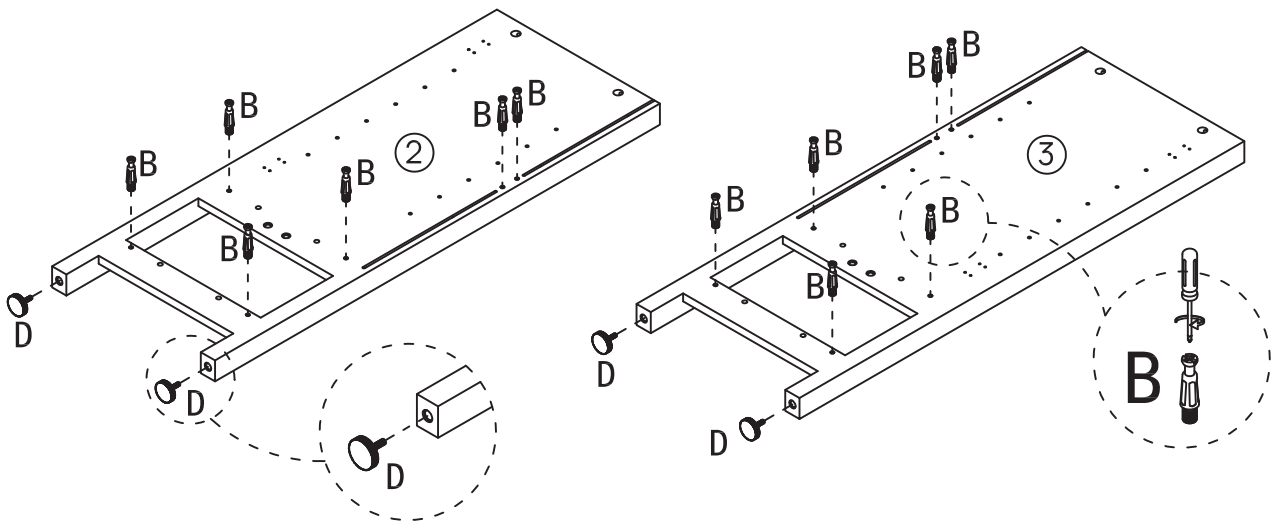
Code	Description	Quantity
K	Hinges	6
L	M4x20mm Bolt	3+2
M	M6x12mm Bolt	6+2
N	Shelf support	12+2
O	ø4x35mm Screw	2
P	Hex key 4mm	1
Q	Wall anchor	2
R	Backboard clip	12+2
S	Wall bracket	2
T	M6x40mm Bolt	2+1

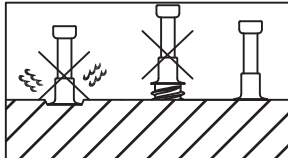


# Step 1



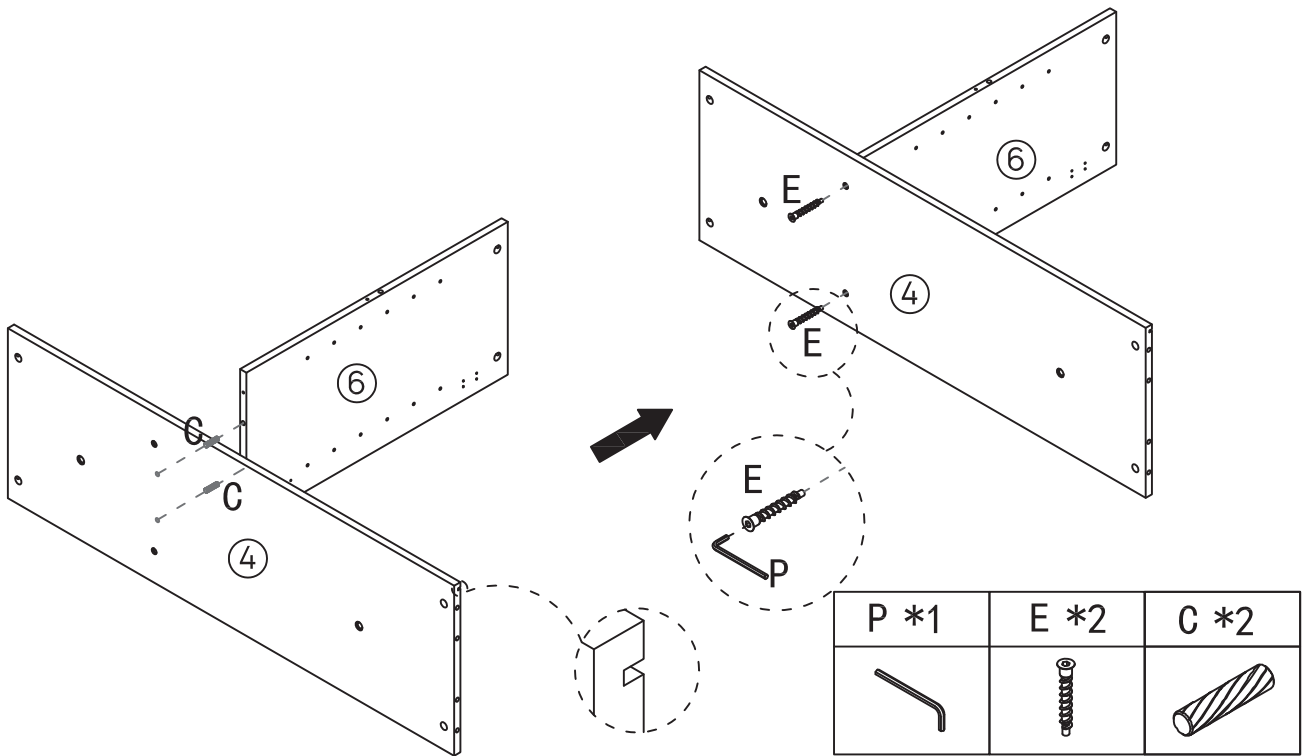
B *6	F *2	H *4	S *2	I *2
				

# Step 2

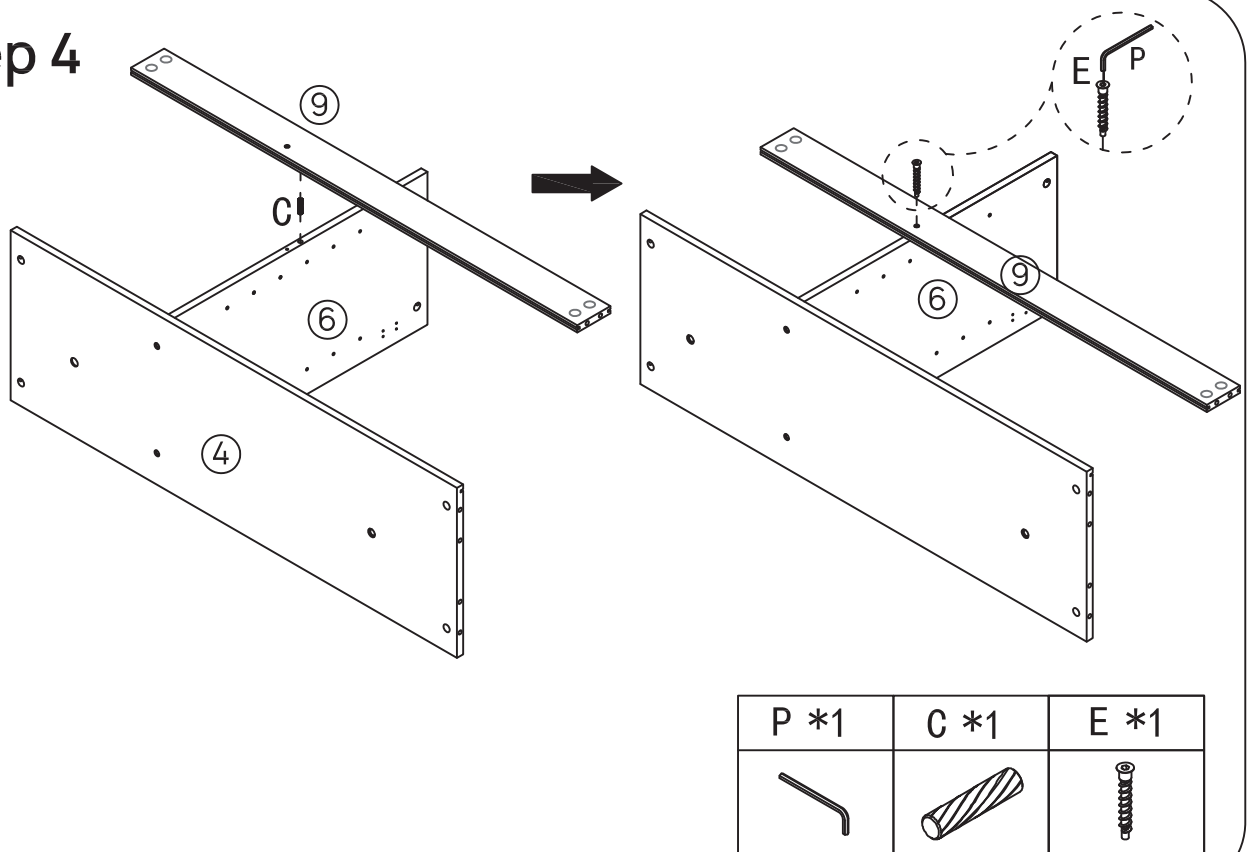


	B *12	D *4
		

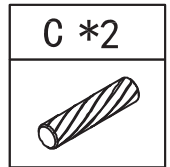
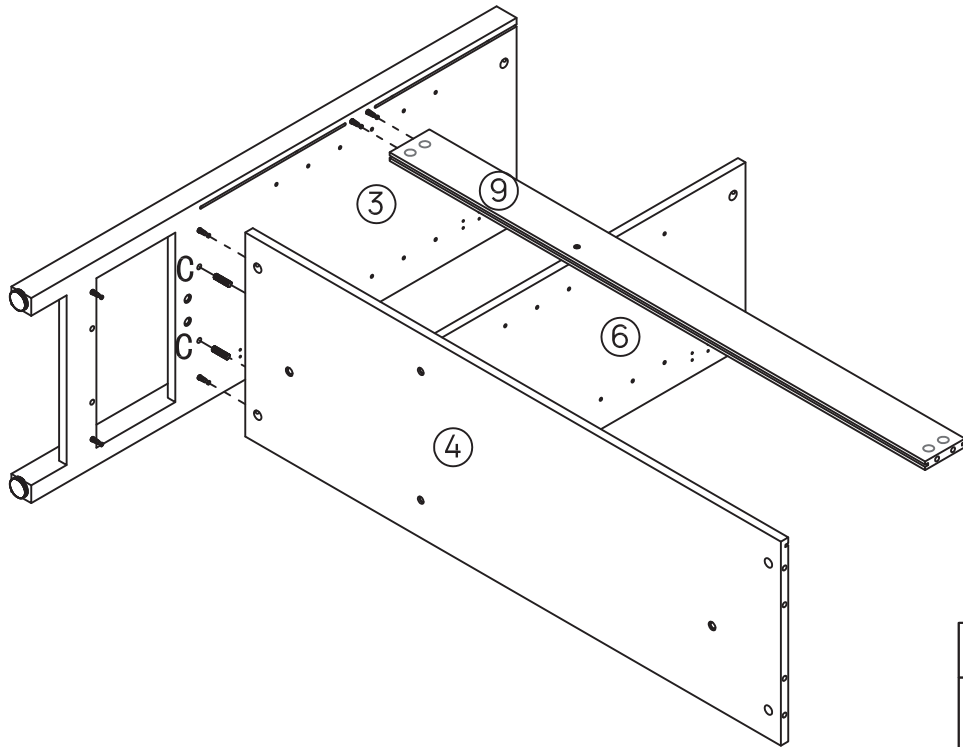
### Step 3



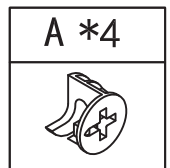
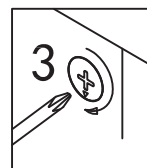
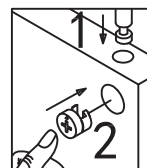
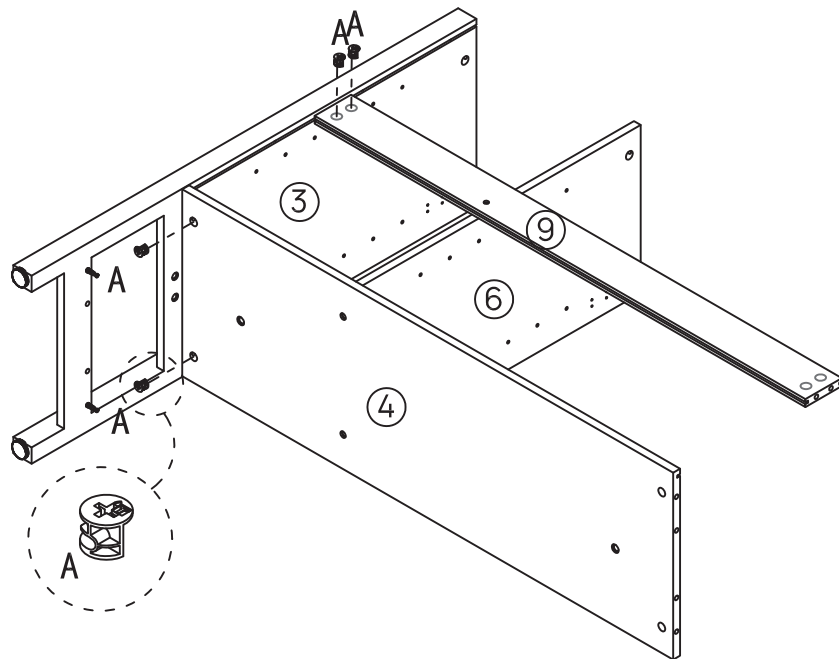
### Step 4



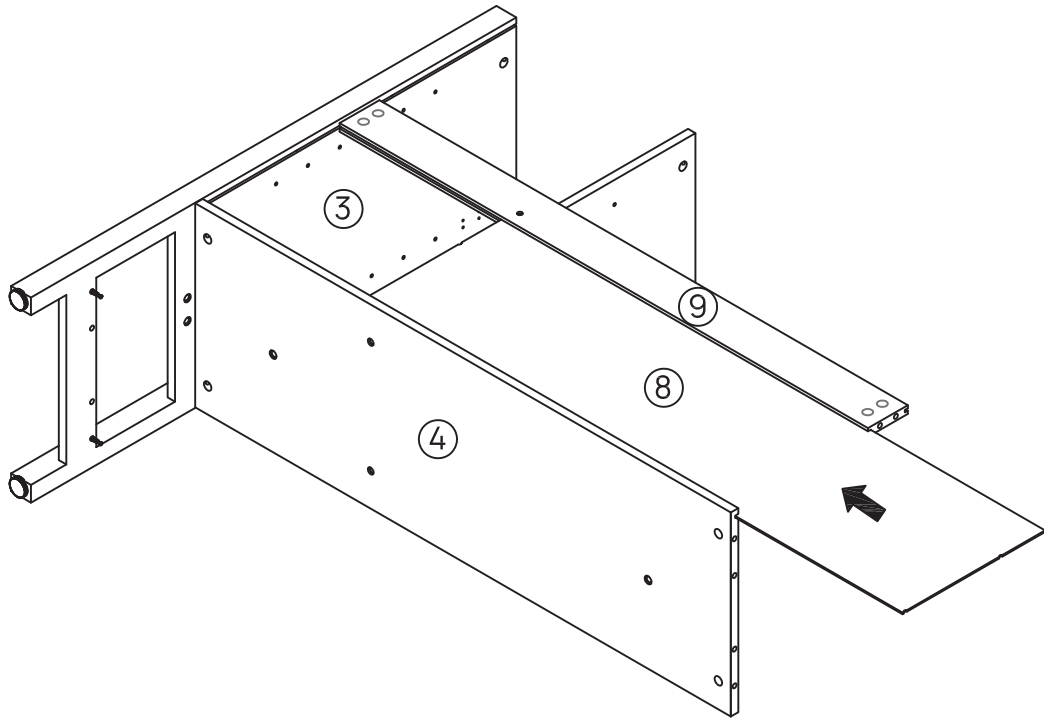
## Step 5



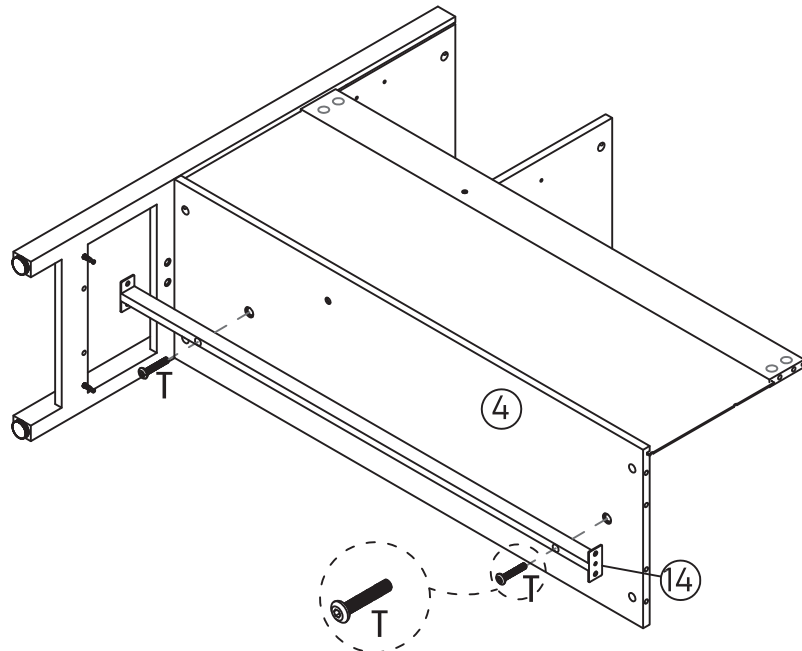
## Step 6





## Step 7



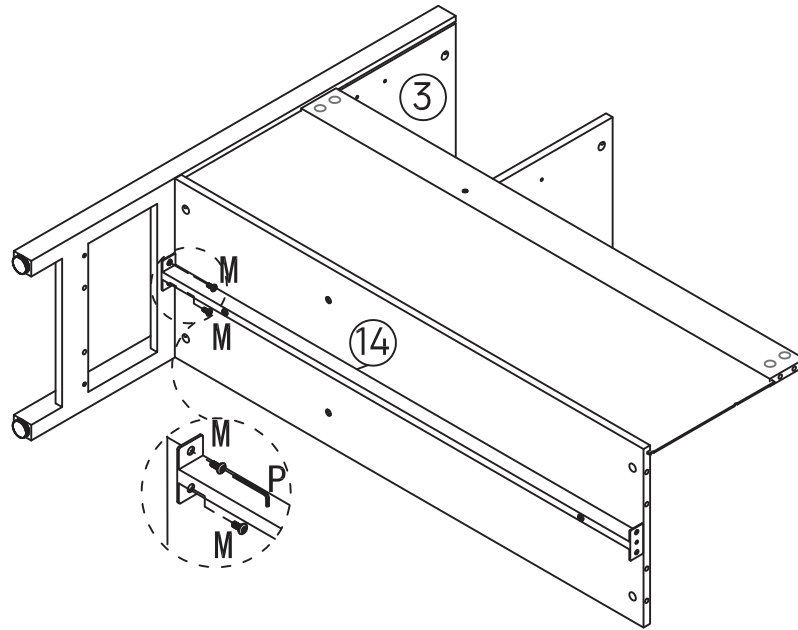
## Step 8





Notes: Do not tighten the screws.  
Wait until all the screws are locked  
and then tighten them.

P *1	T *2
	

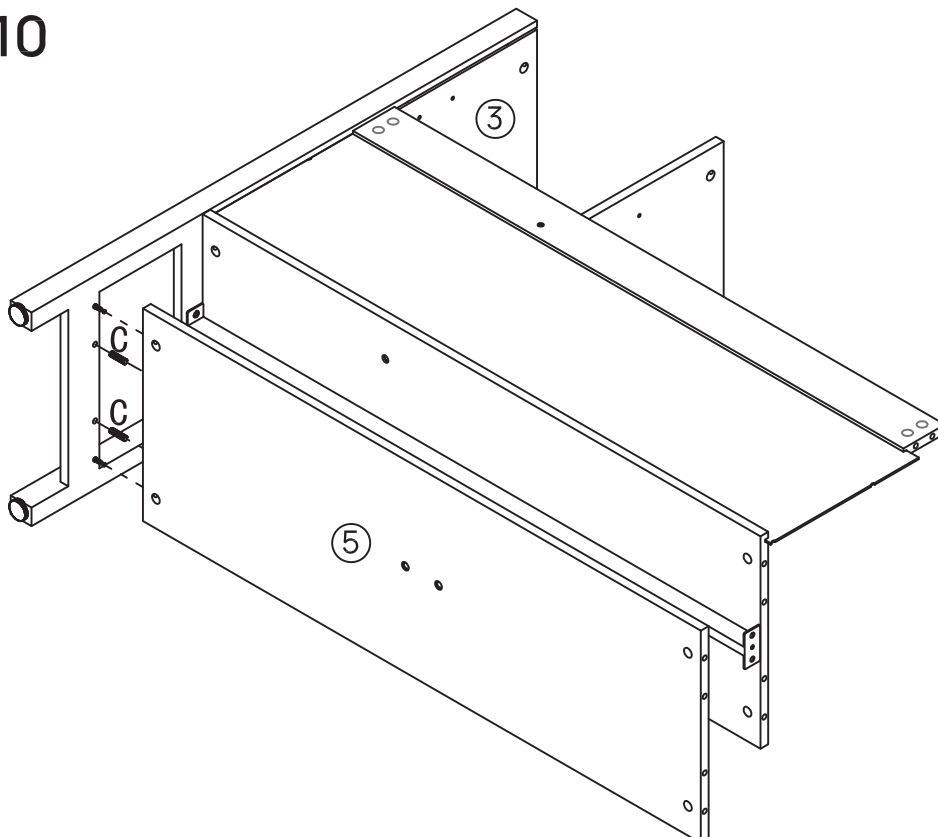
## Step 9




Notes: Do not tighten the screws.  
Wait until all the screws are locked  
and then tighten them.

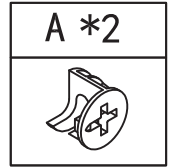
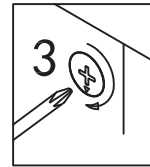
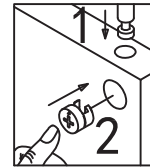
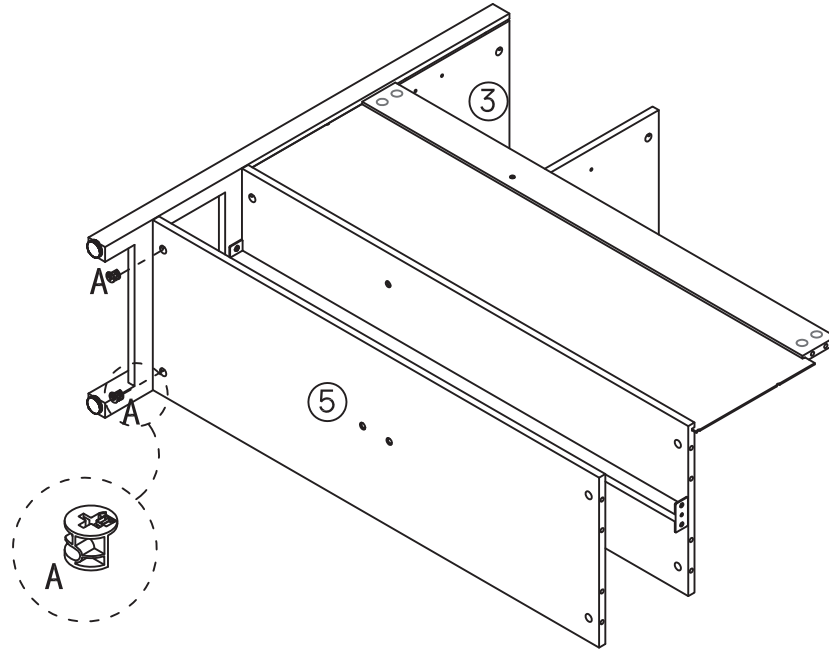
P *1	M*2
	

## Step 10

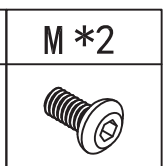
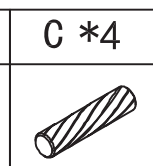
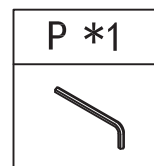
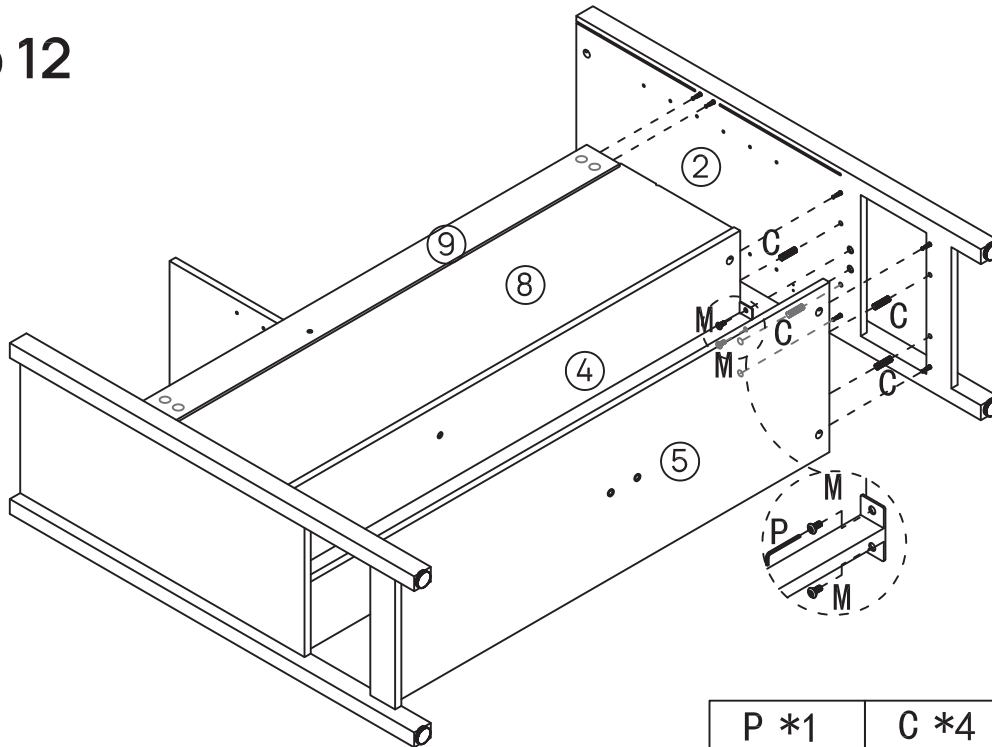


C *2


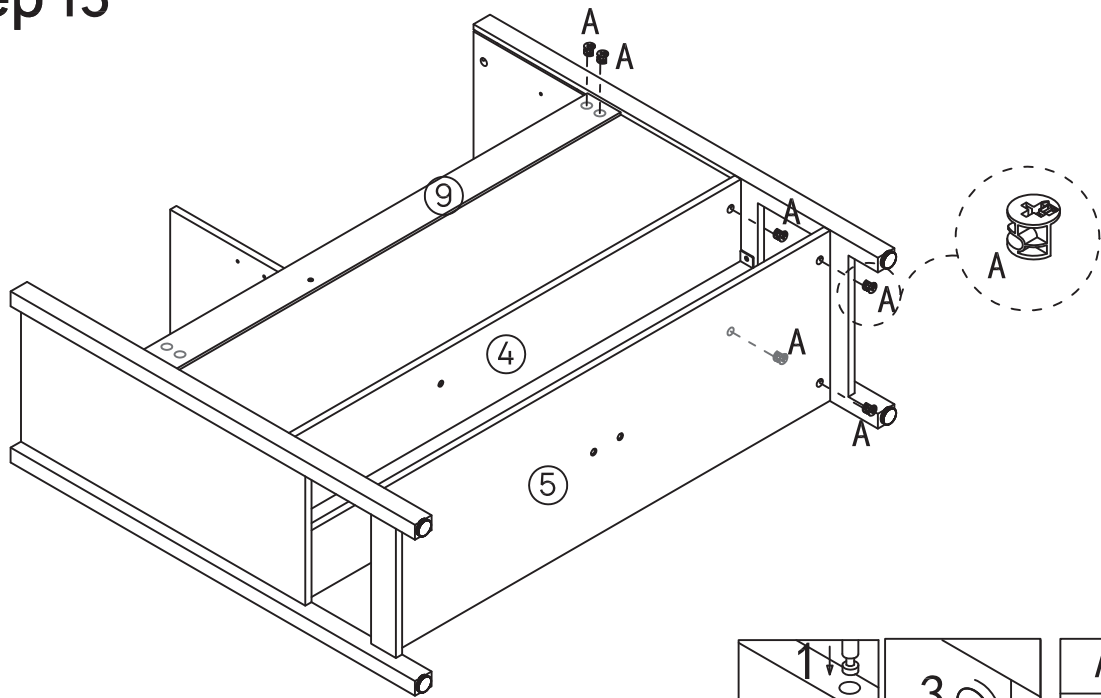
# Step 11



# Step 12

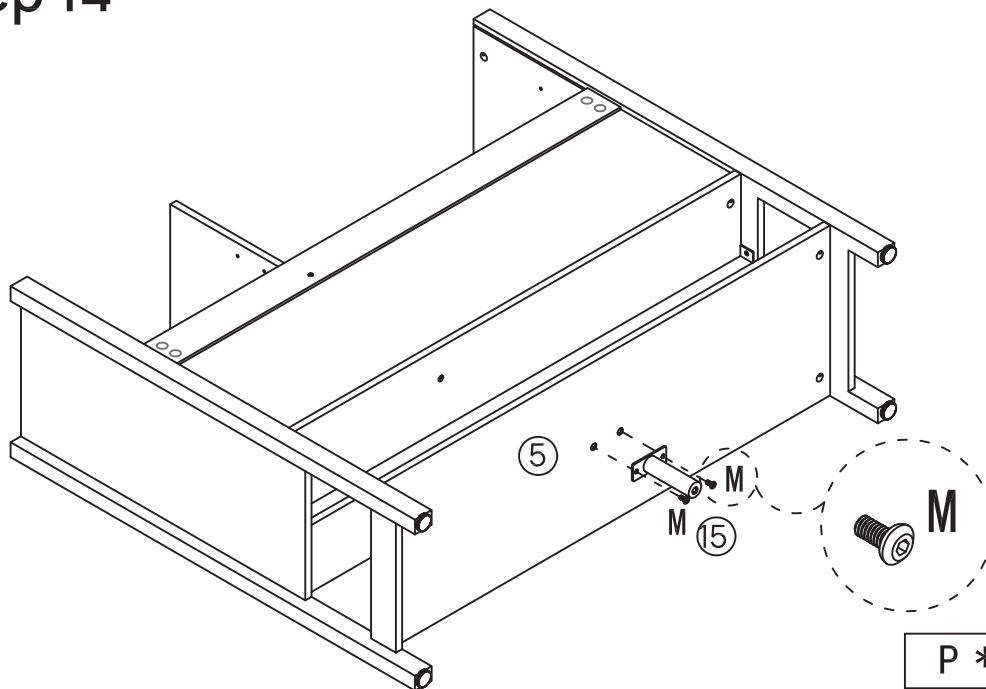


# Step 13



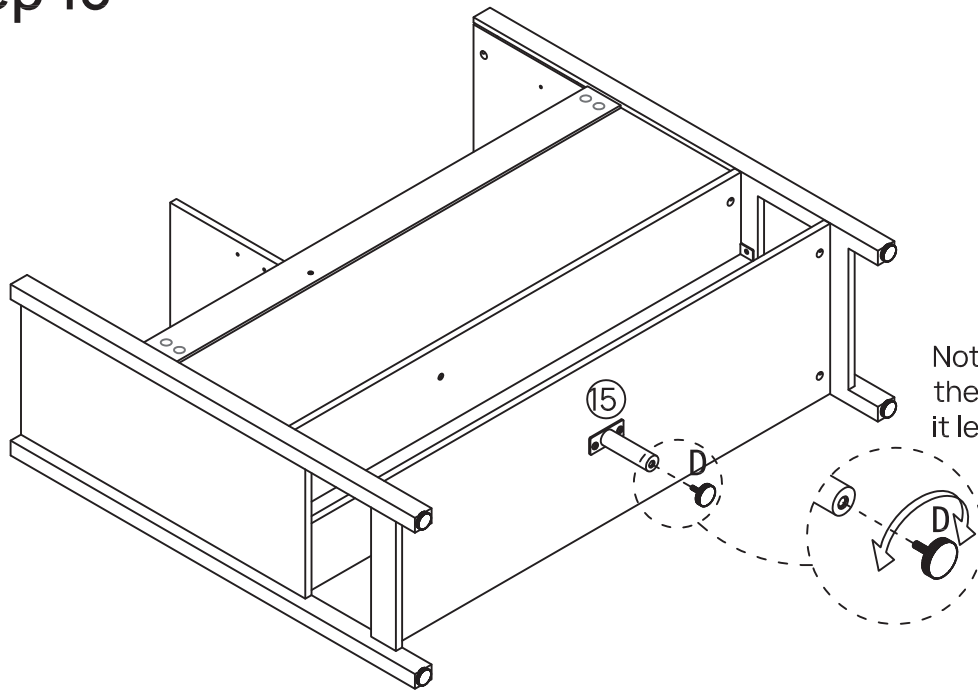
<p>1</p>	<p>2</p>	<p>A *6</p>
----------	----------	-------------

# Step 14

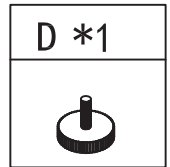


<p>P *1</p>	<p>M *2</p>
-------------	-------------

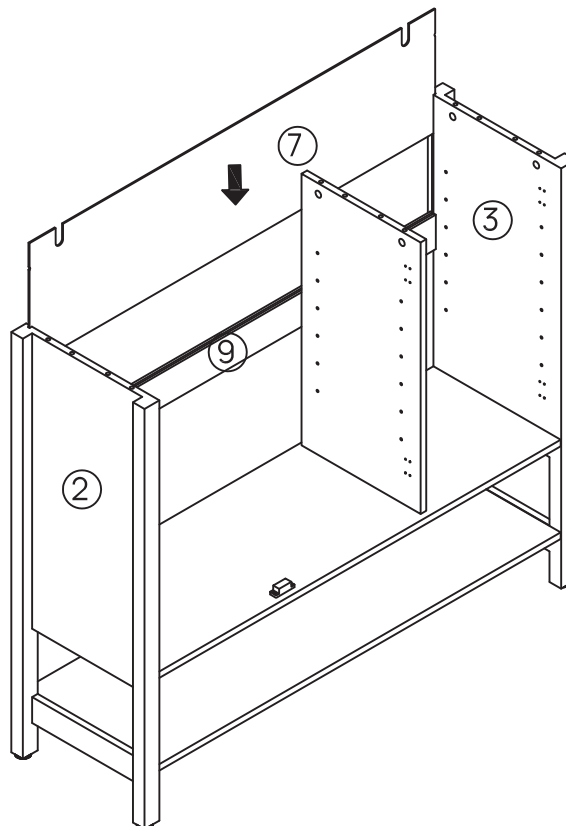
## Step 15



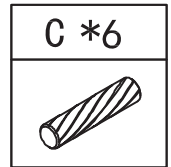
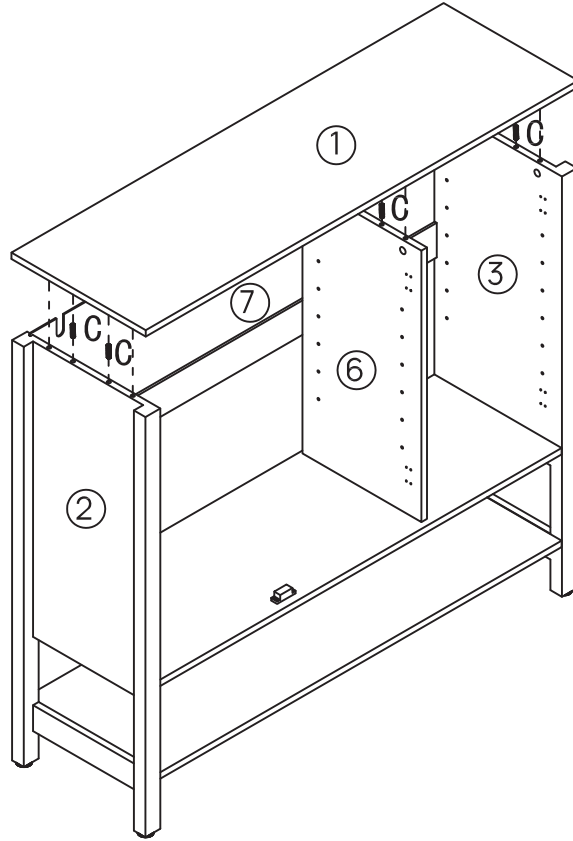
Note: You can adjust the height by rotating it left or right



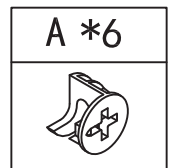
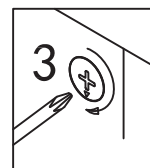
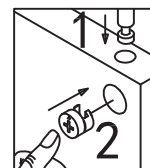
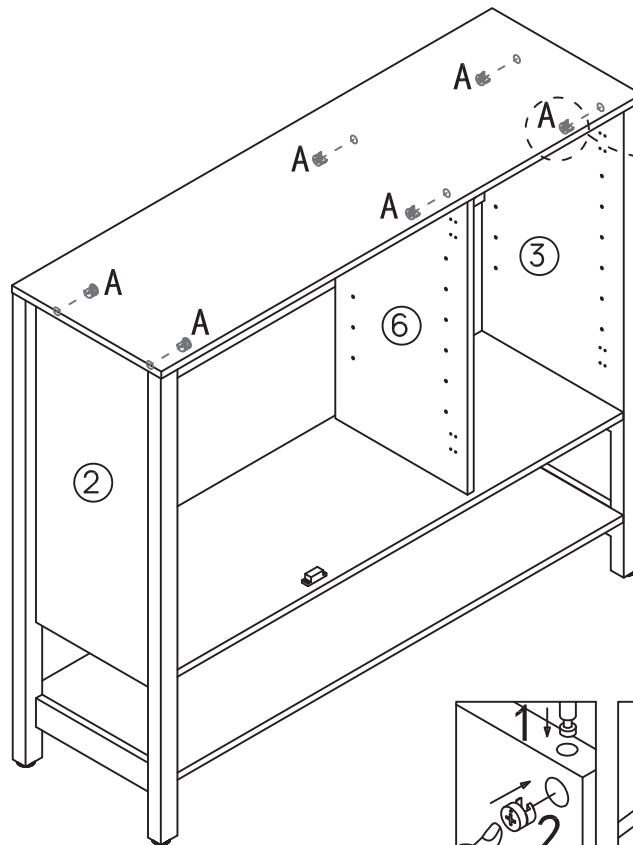
## Step 16



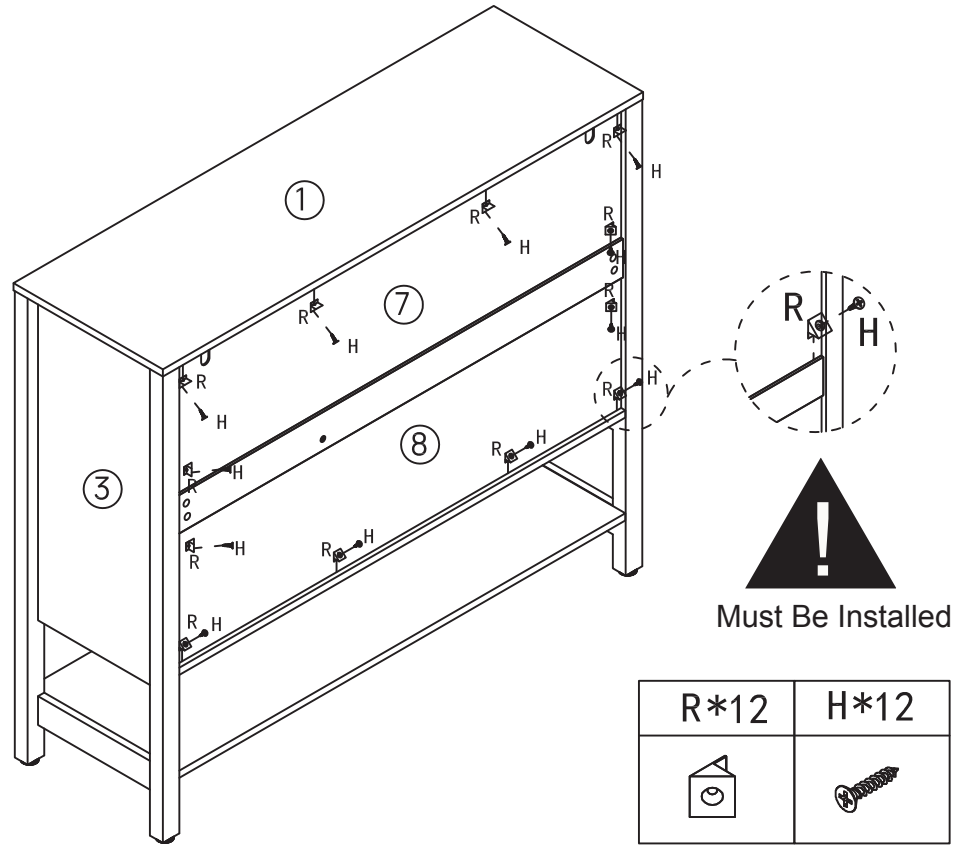
# Step 17



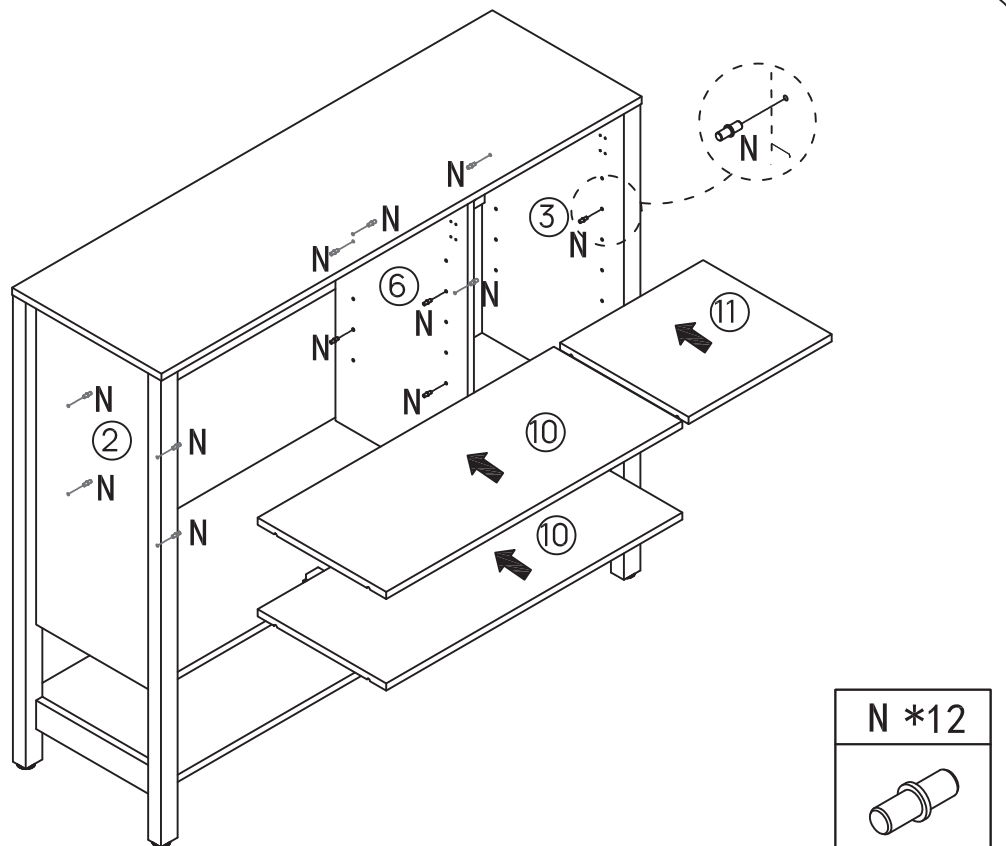
# Step 18



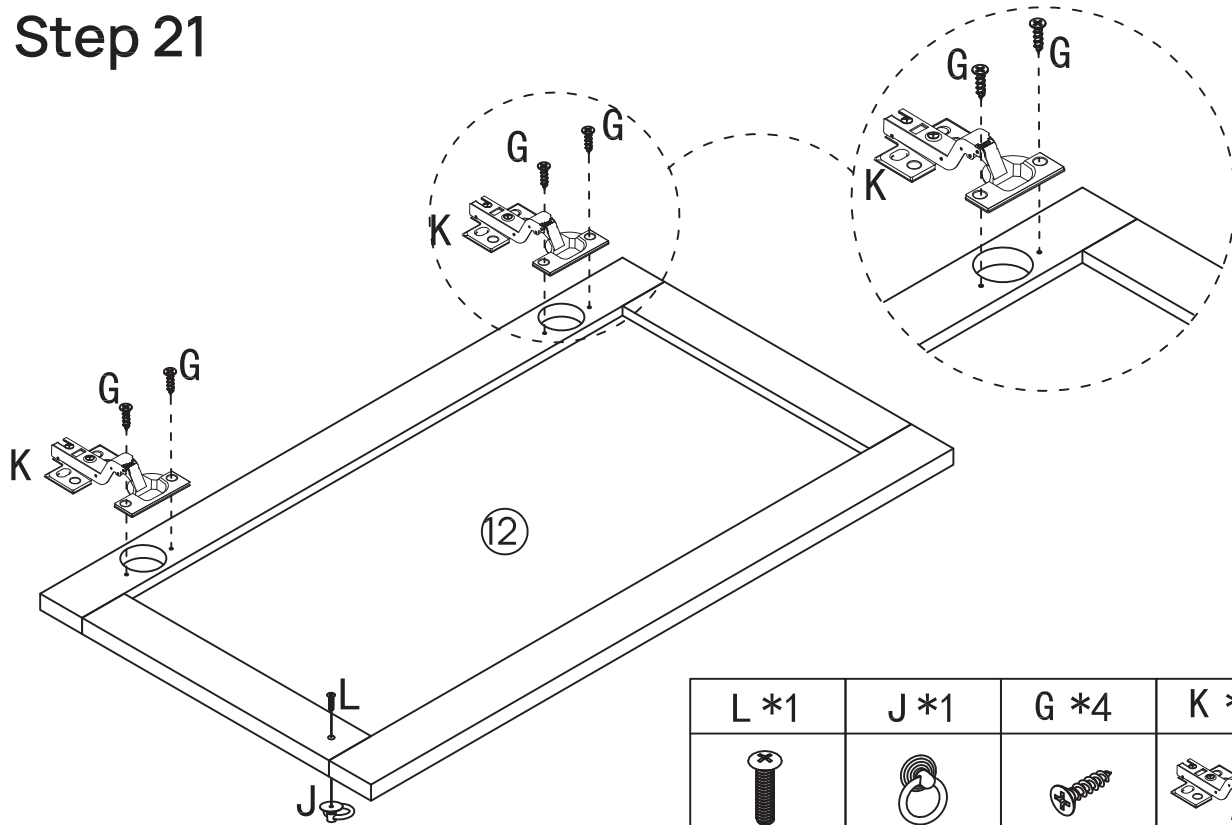
# Step 19







# Step 20

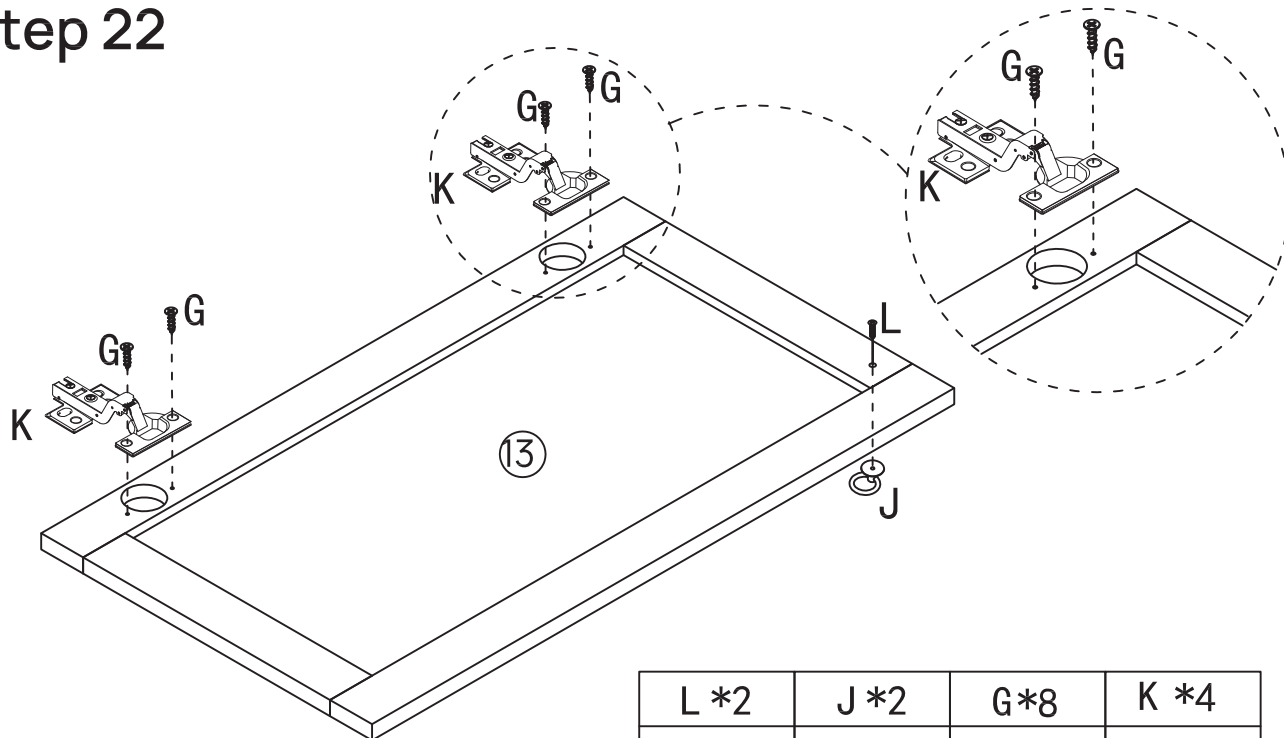


# Step 21







L *1	J *1	G *4	K *2
			

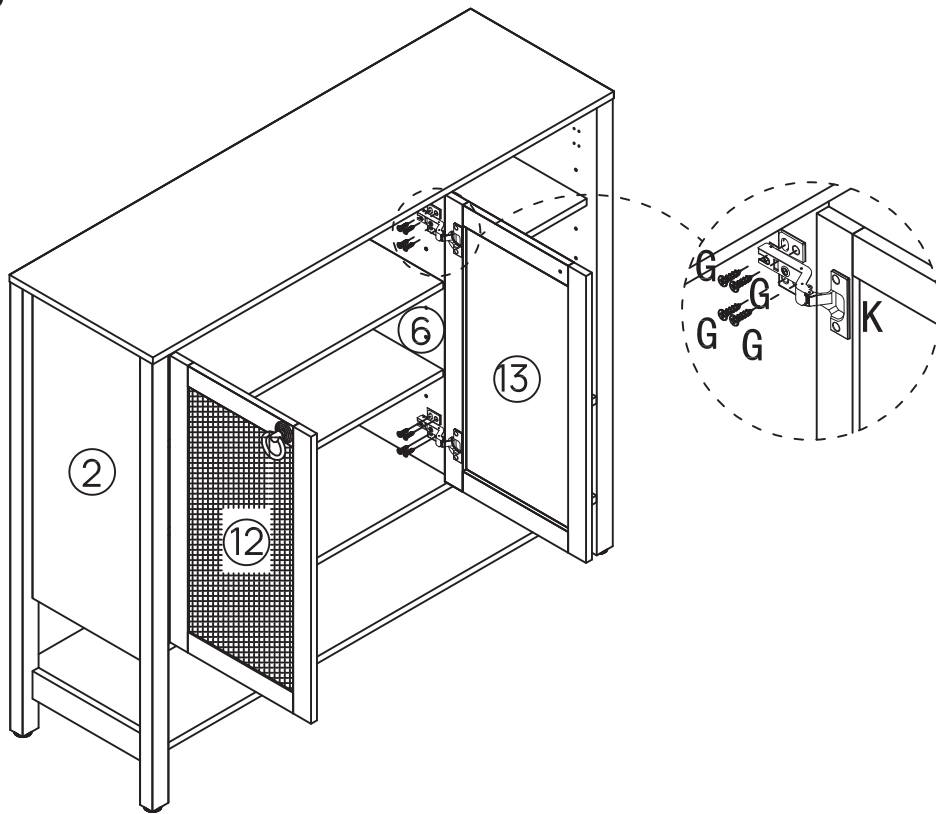
# Step 22



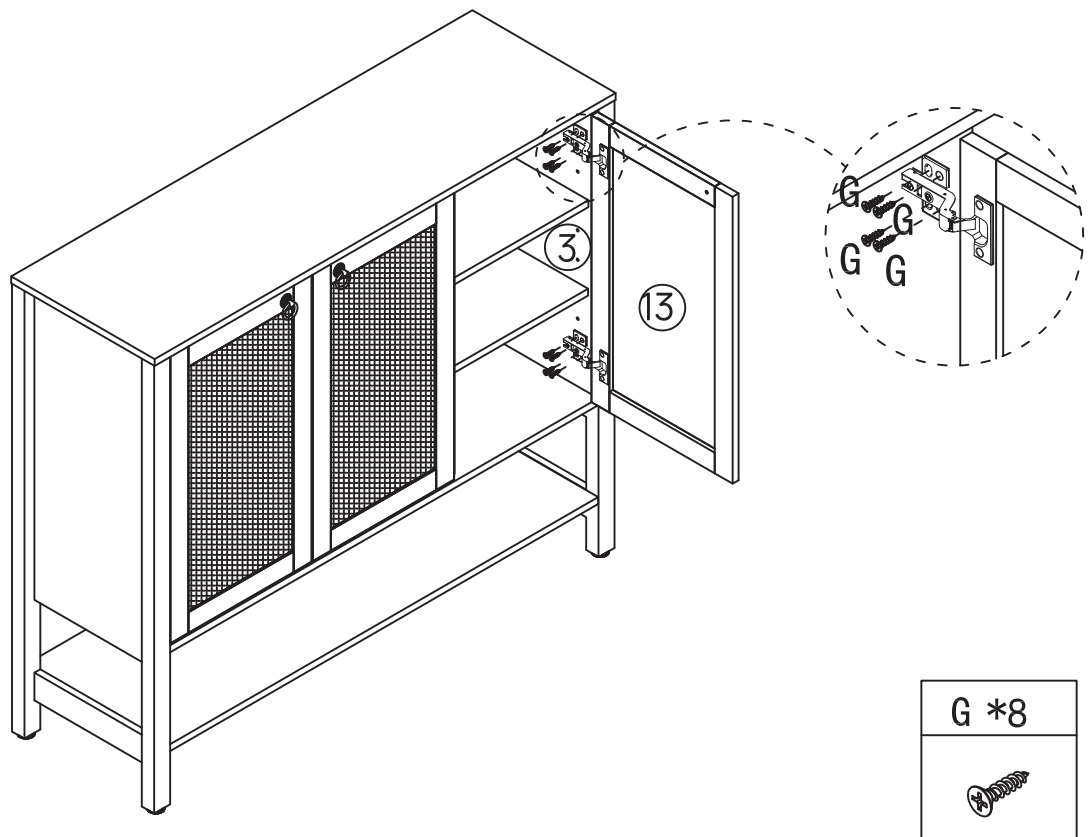
X2

L *2	J *2	G *8	K *4
			

## Step 23



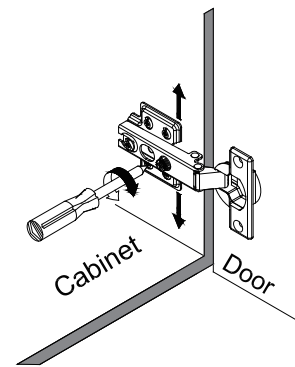
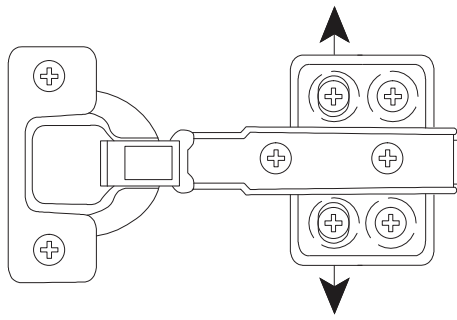
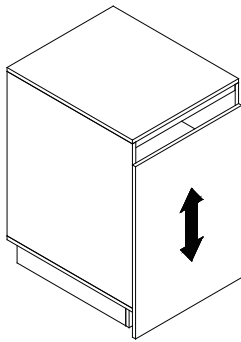
## Step 24



# Cabinet Door Adjustment Instructions

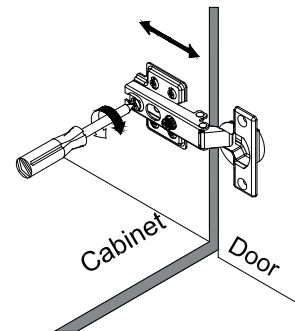
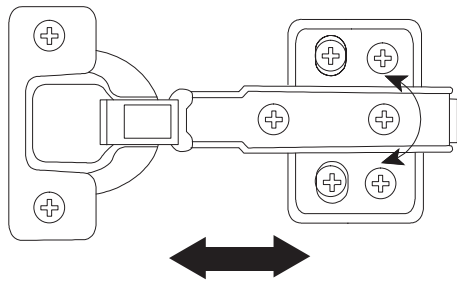
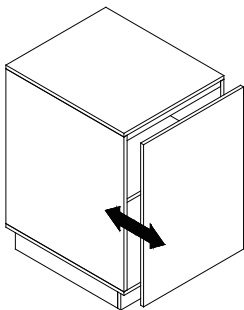
## Height adjustment:

- Locate the height adjustment screws on the hinge.
- Use the Phillips screwdriver to either tighten or loosen the screws to raise or lower the cabinet door as desired.

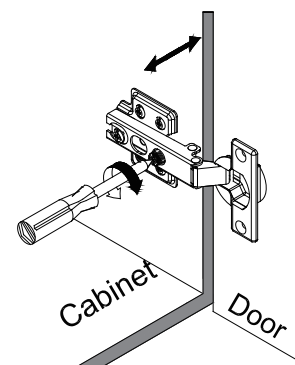
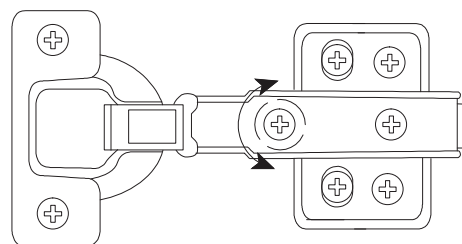
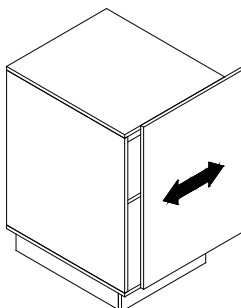


## Side-to-side adjustment:

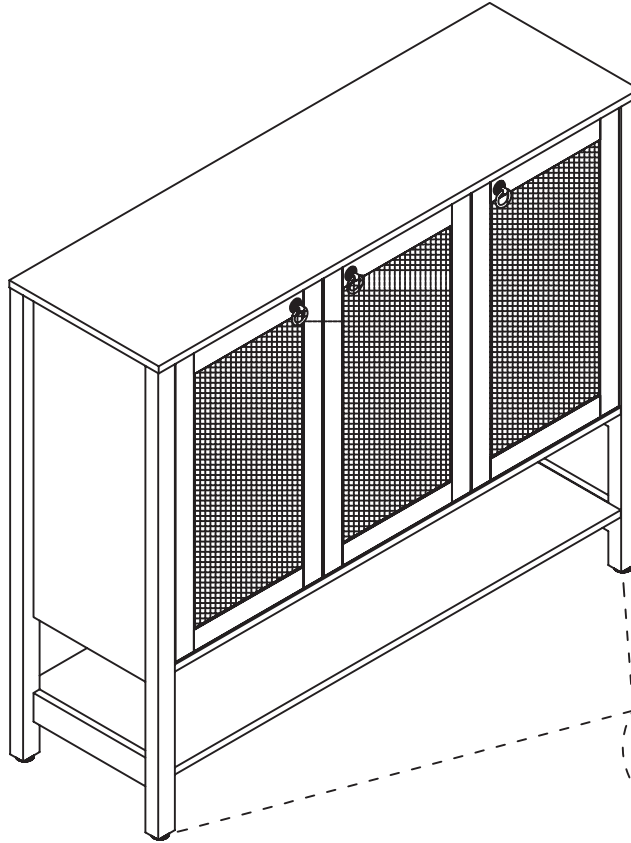
- If the cabinet door needs to be moved closer to or away from the cabinet frame, locate the side-to-side adjustment screws on the hinge.
- Use the Phillips screwdriver to adjust these screws and gradually move the door in the desired direction.



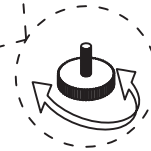
## Depth adjustment (if applicable):



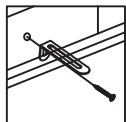
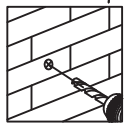
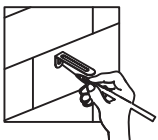
## Step 25



Note: You can adjust the height by rotating it left or right



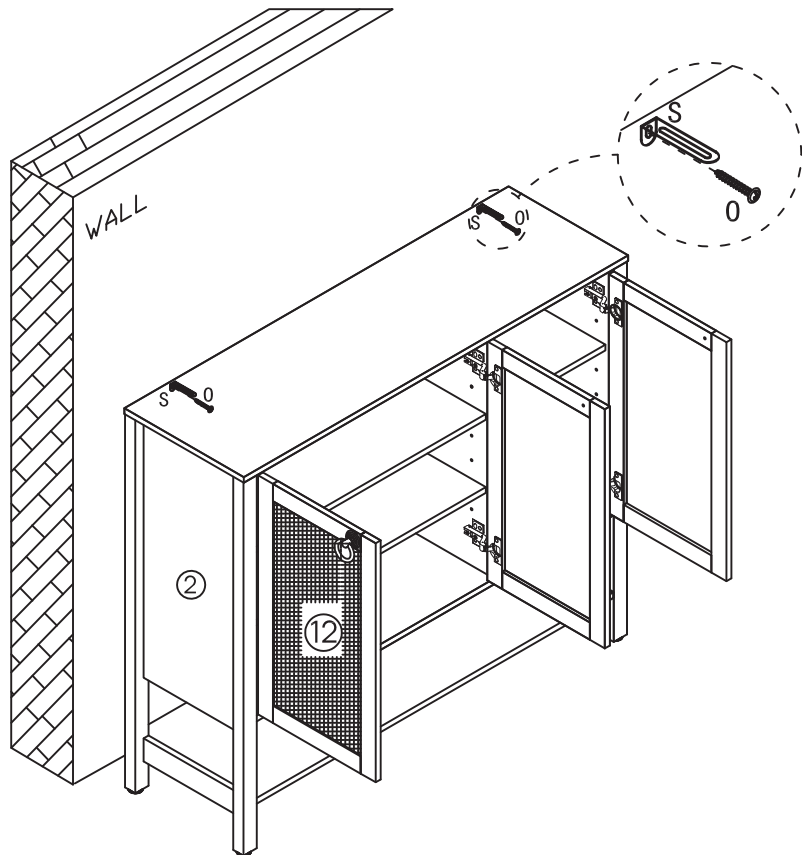
## Step 26



0 \*2



Q \*2



# Step 27

