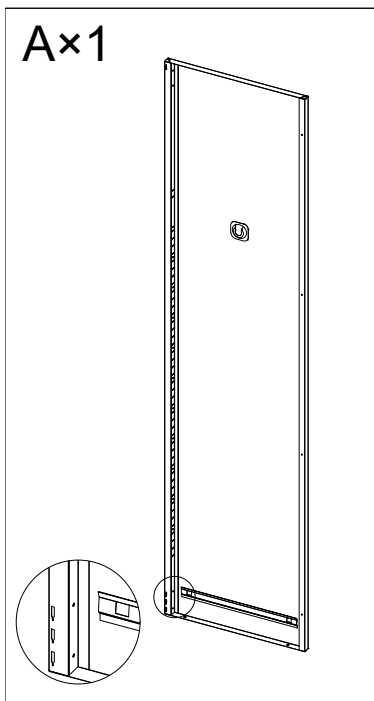
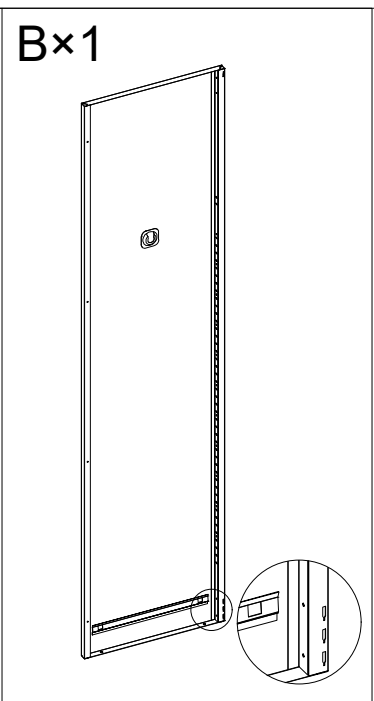
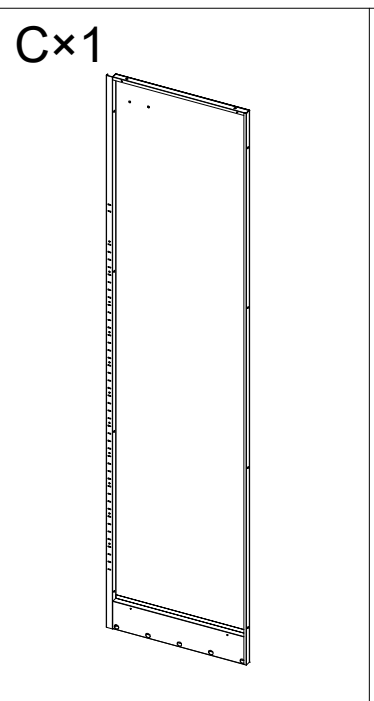
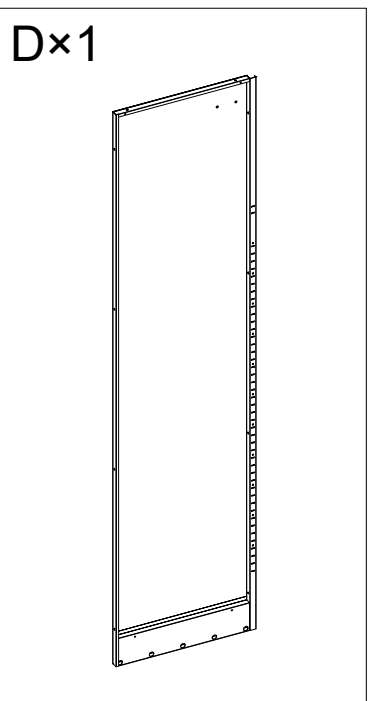
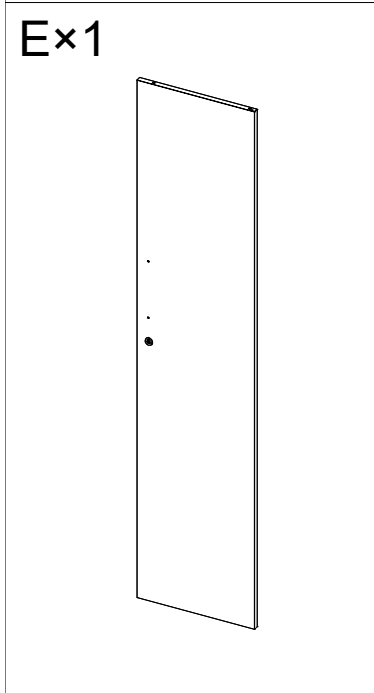
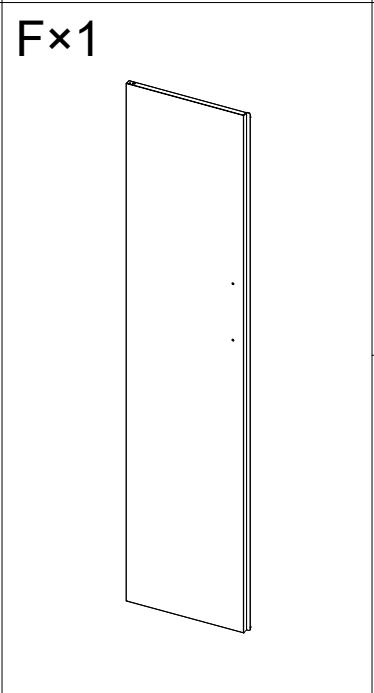
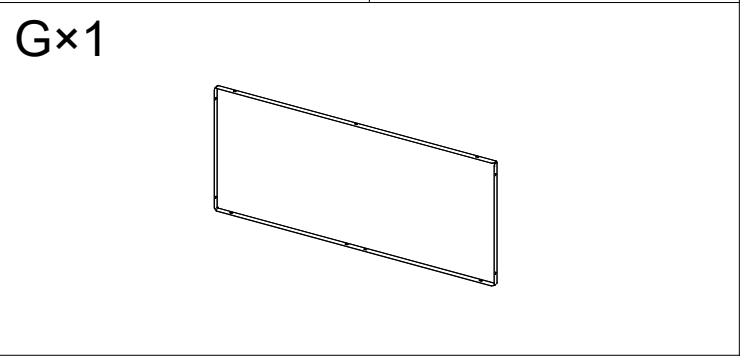
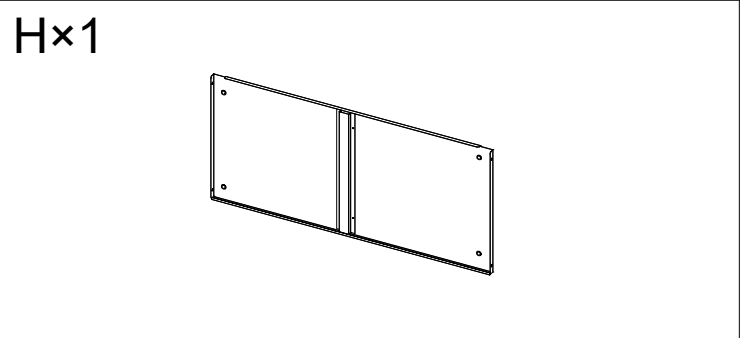
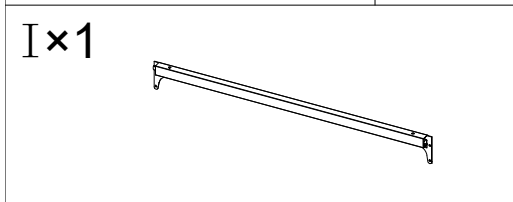
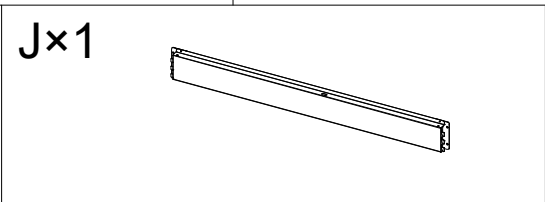
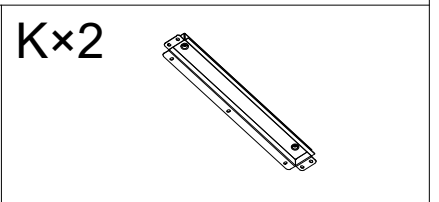
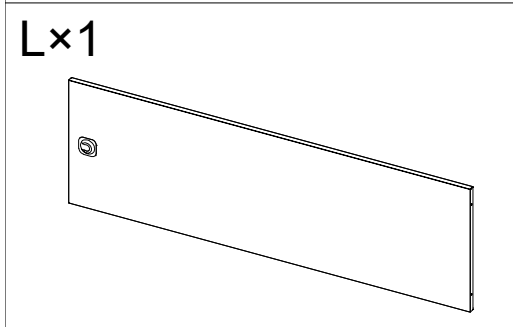
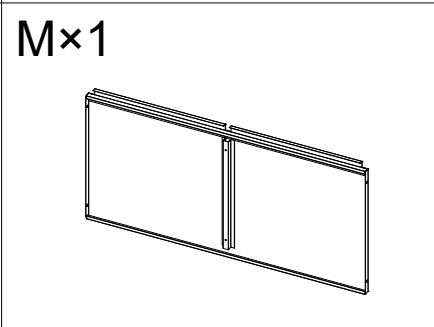
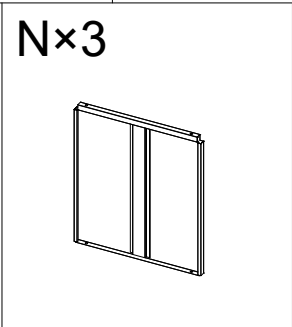
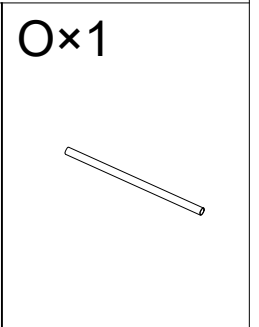
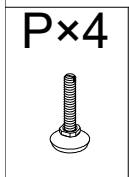

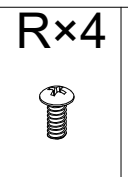
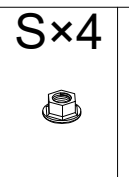
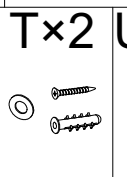
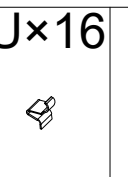
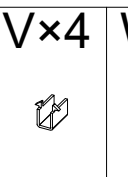
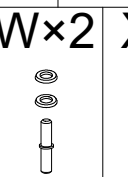
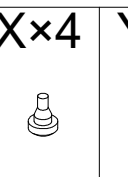
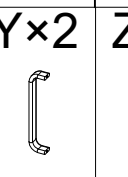
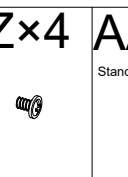

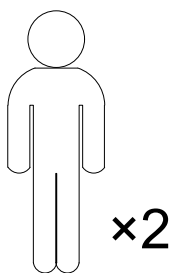
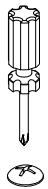
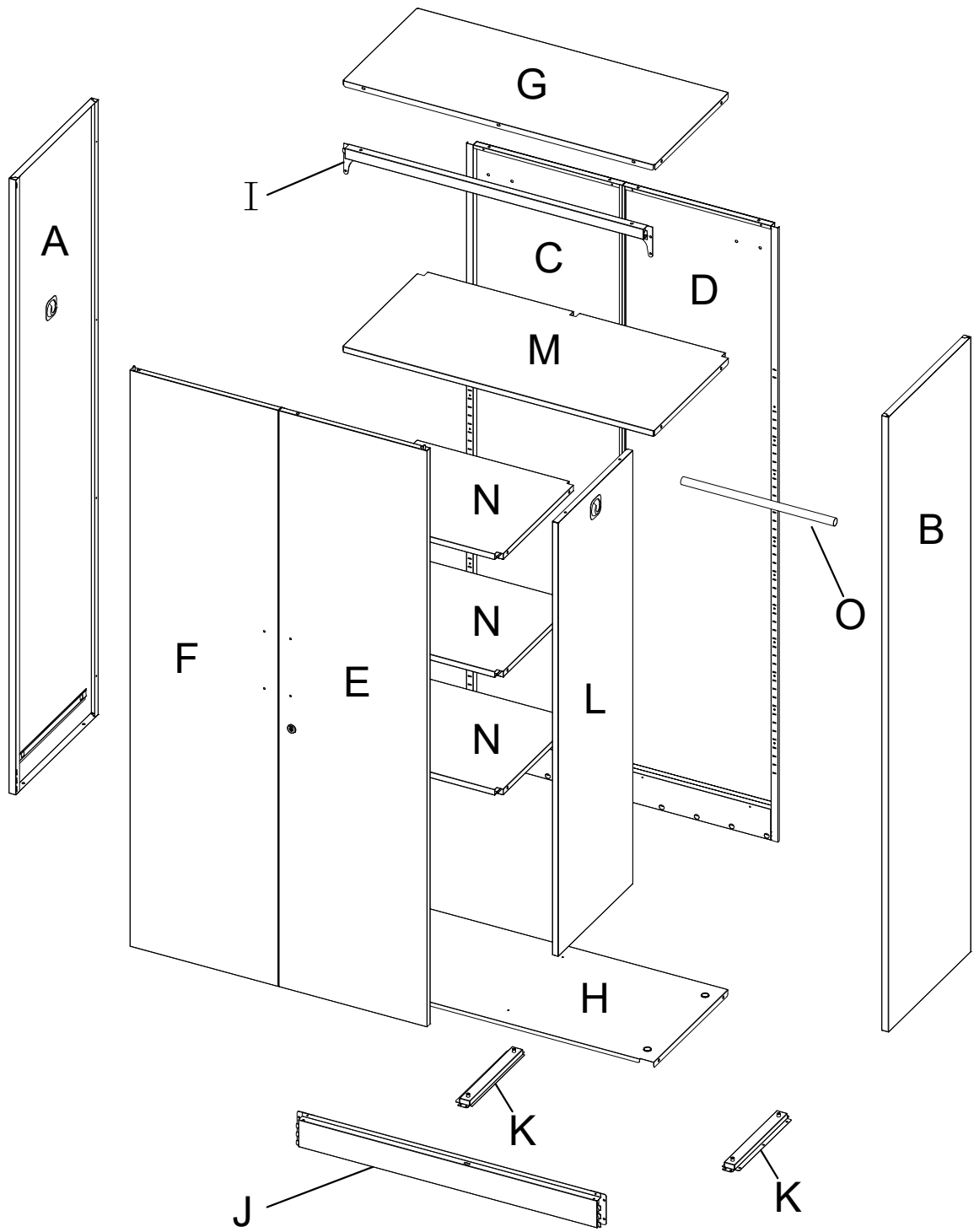
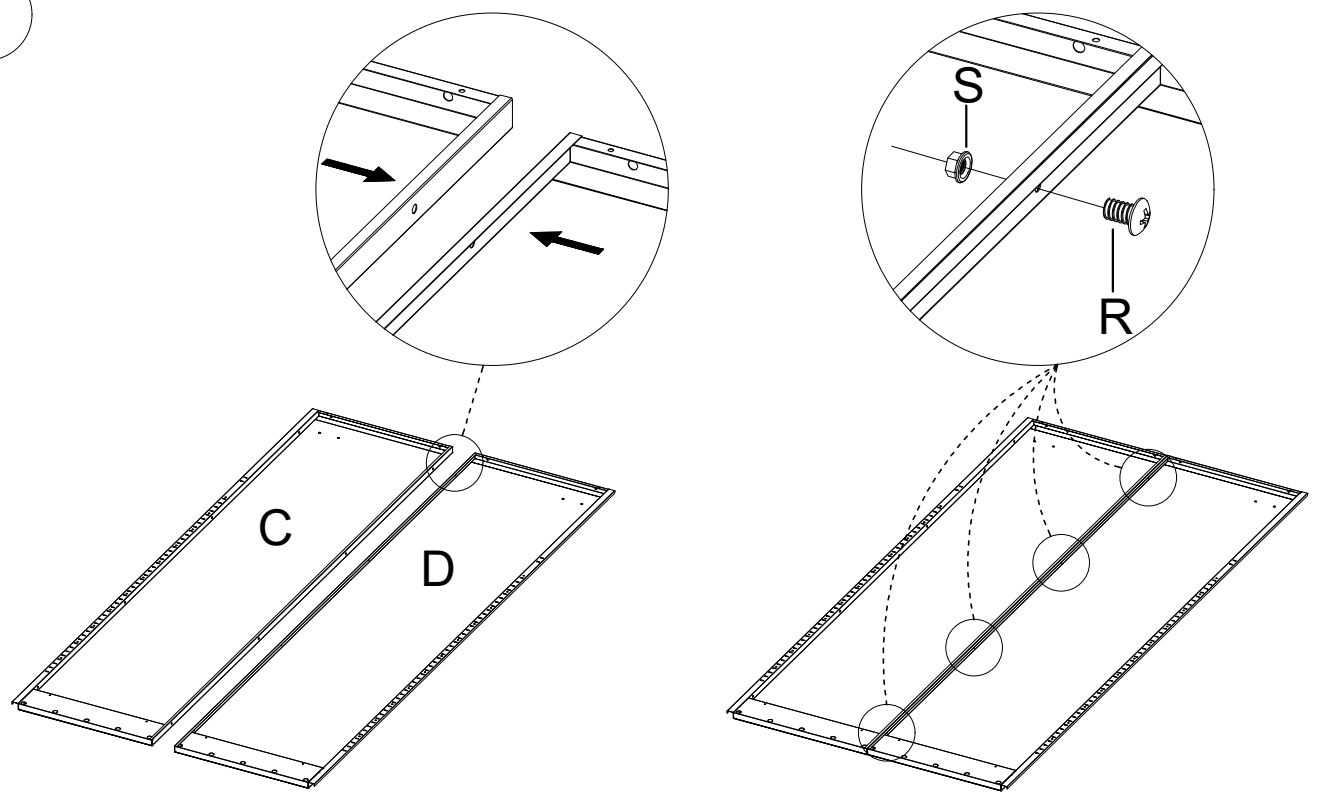


<p>A×1</p> 	<p>B×1</p> 	<p>C×1</p> 	<p>D×1</p> 								
<p>E×1</p> 	<p>F×1</p> 	<p>G×1</p>  <p>H×1</p> 									
<p>I×1</p> 	<p>J×1</p> 	<p>K×2</p> 									
<p>L×1</p> 	<p>M×1</p> 	<p>N×3</p> 	<p>O×1</p> 								
<p>P×4</p> 	<p>Q×45</p> 	<p>R×4</p> 	<p>S×4</p> 	<p>T×2</p> 	<p>U×16</p> 	<p>V×4</p> 	<p>W×2</p> 	<p>X×4</p> 	<p>Y×2</p> 	<p>Z×4</p> 	<p>AA×2</p> <p>Standby Application</p> 

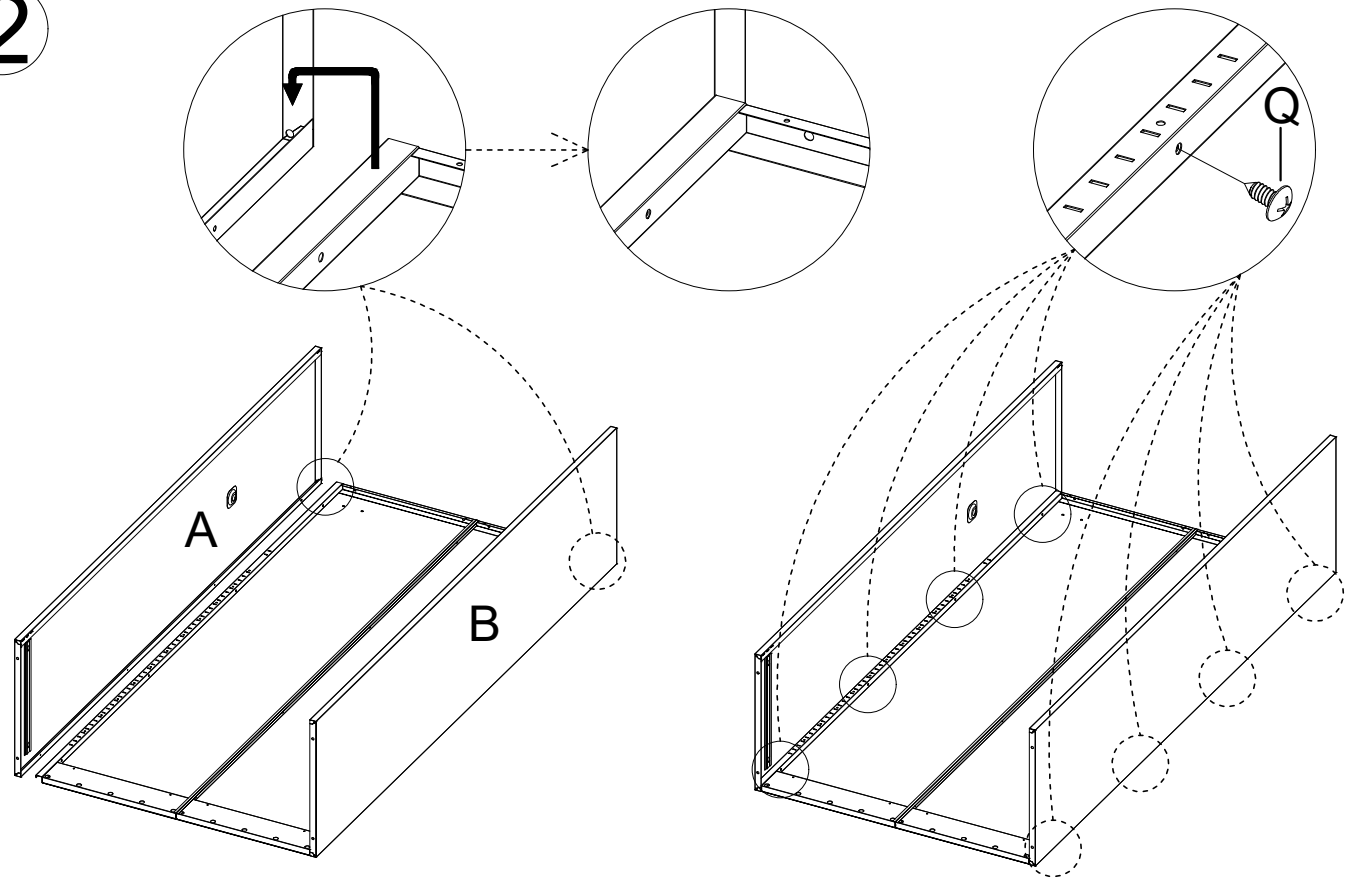


1



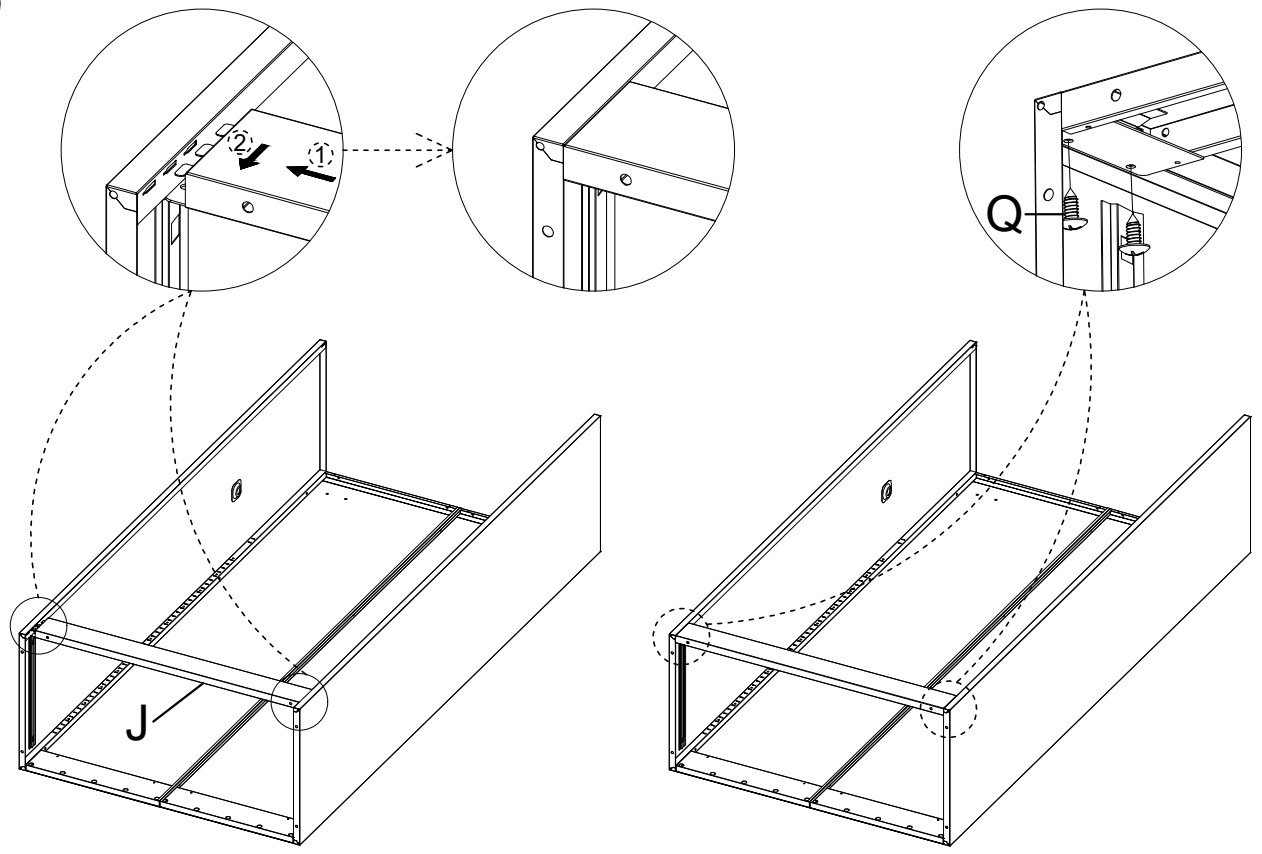
R×4 | S×4

2



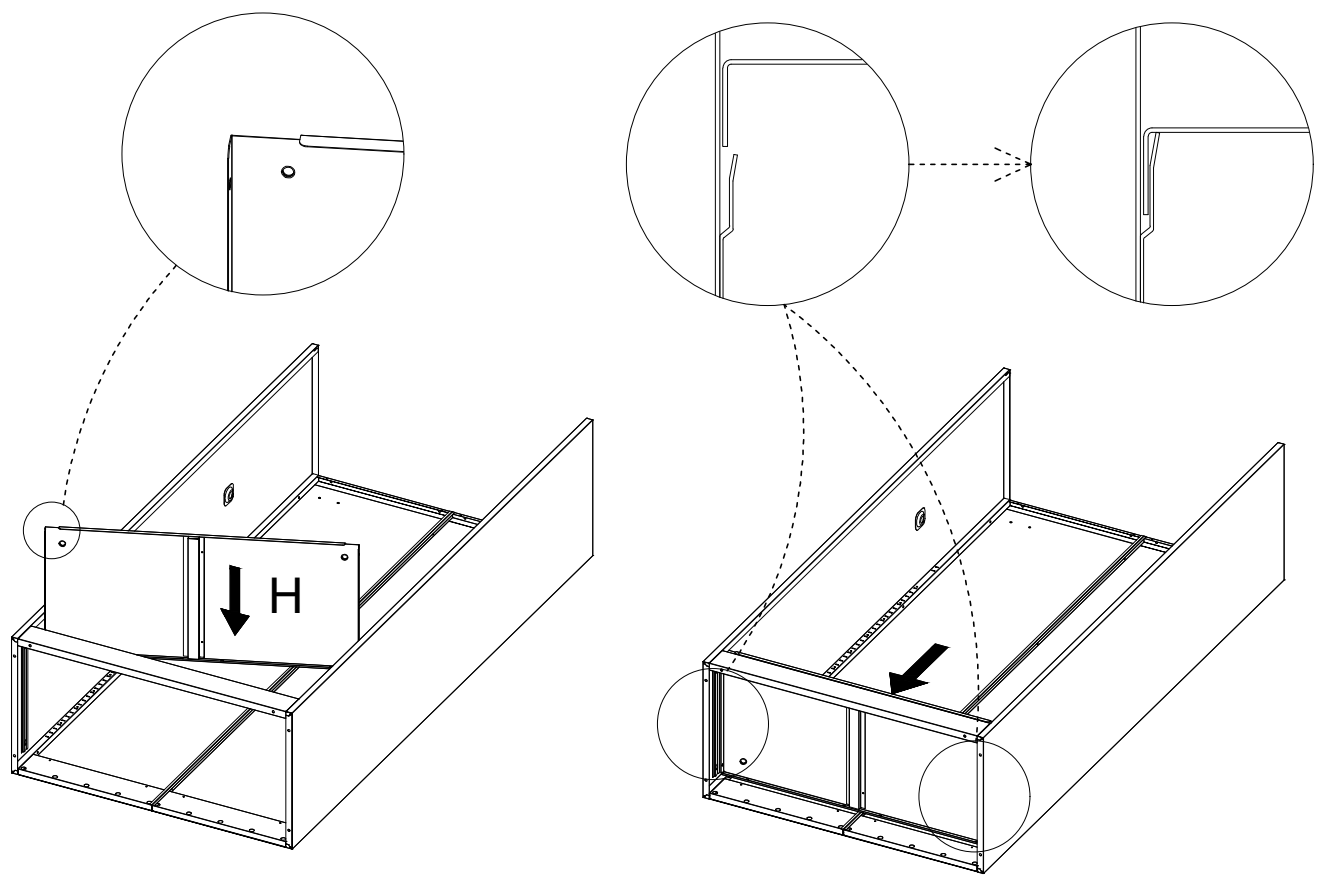
Q×8

3

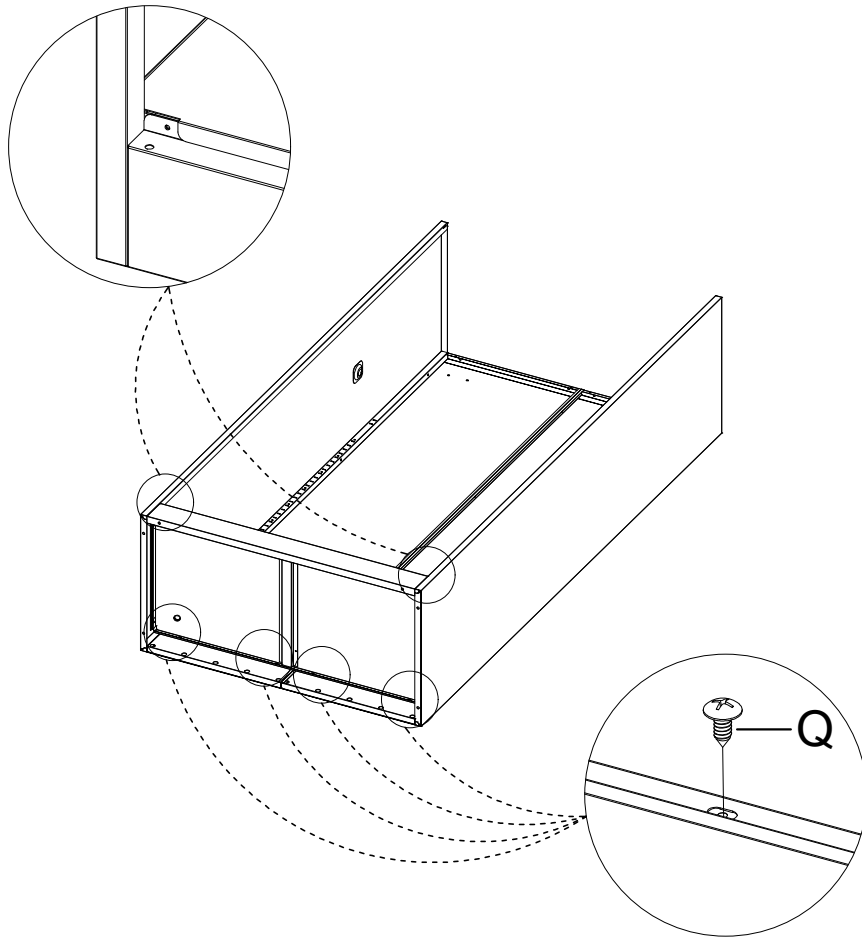


Q×4

4

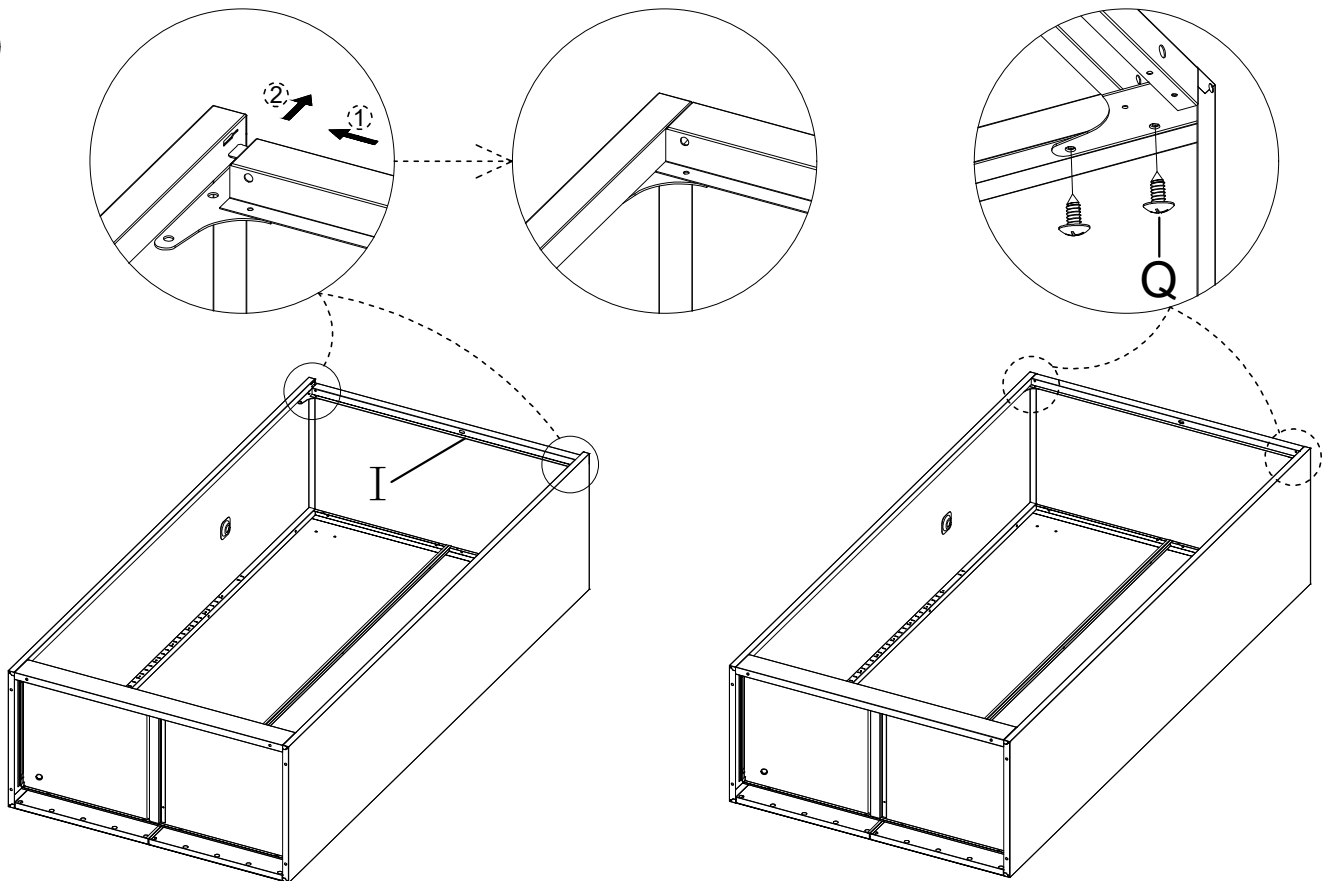


5



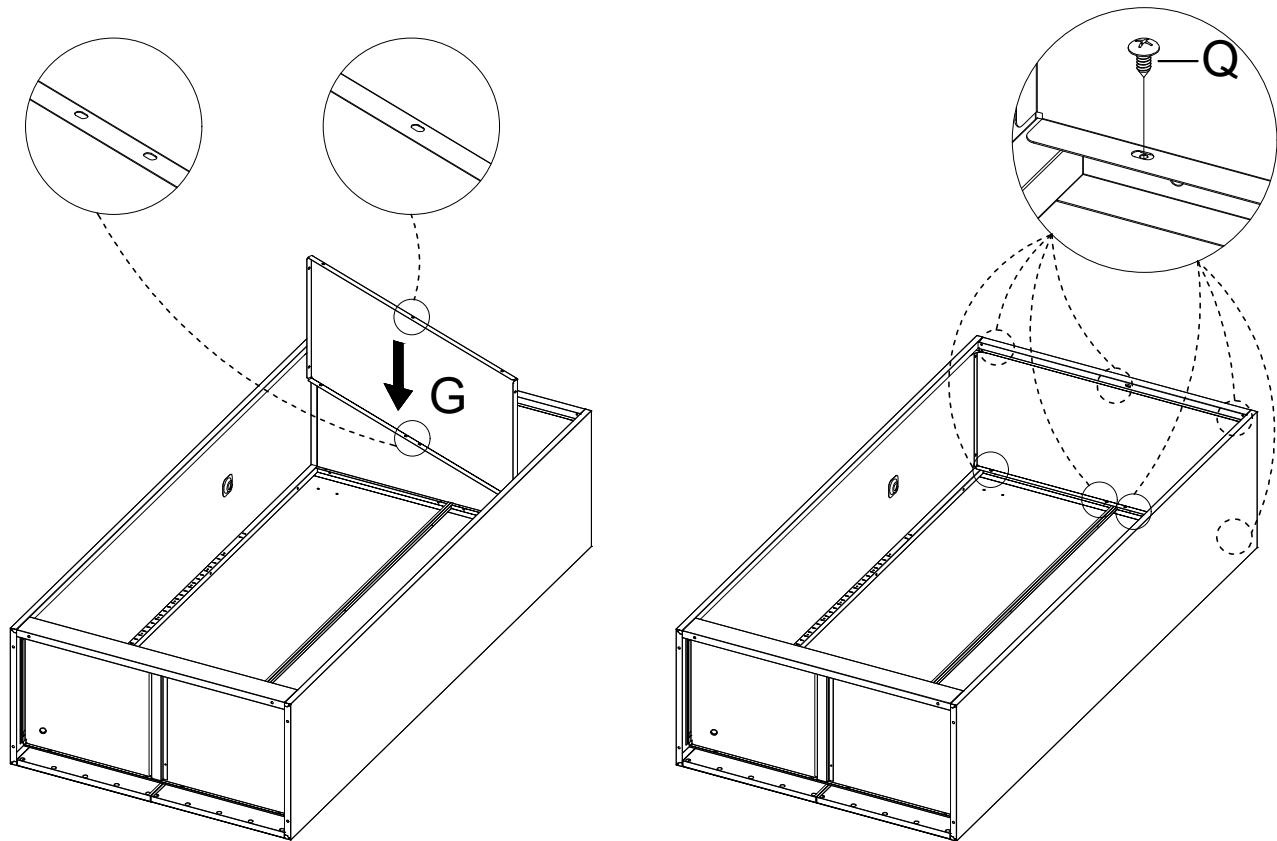
Q×4

6



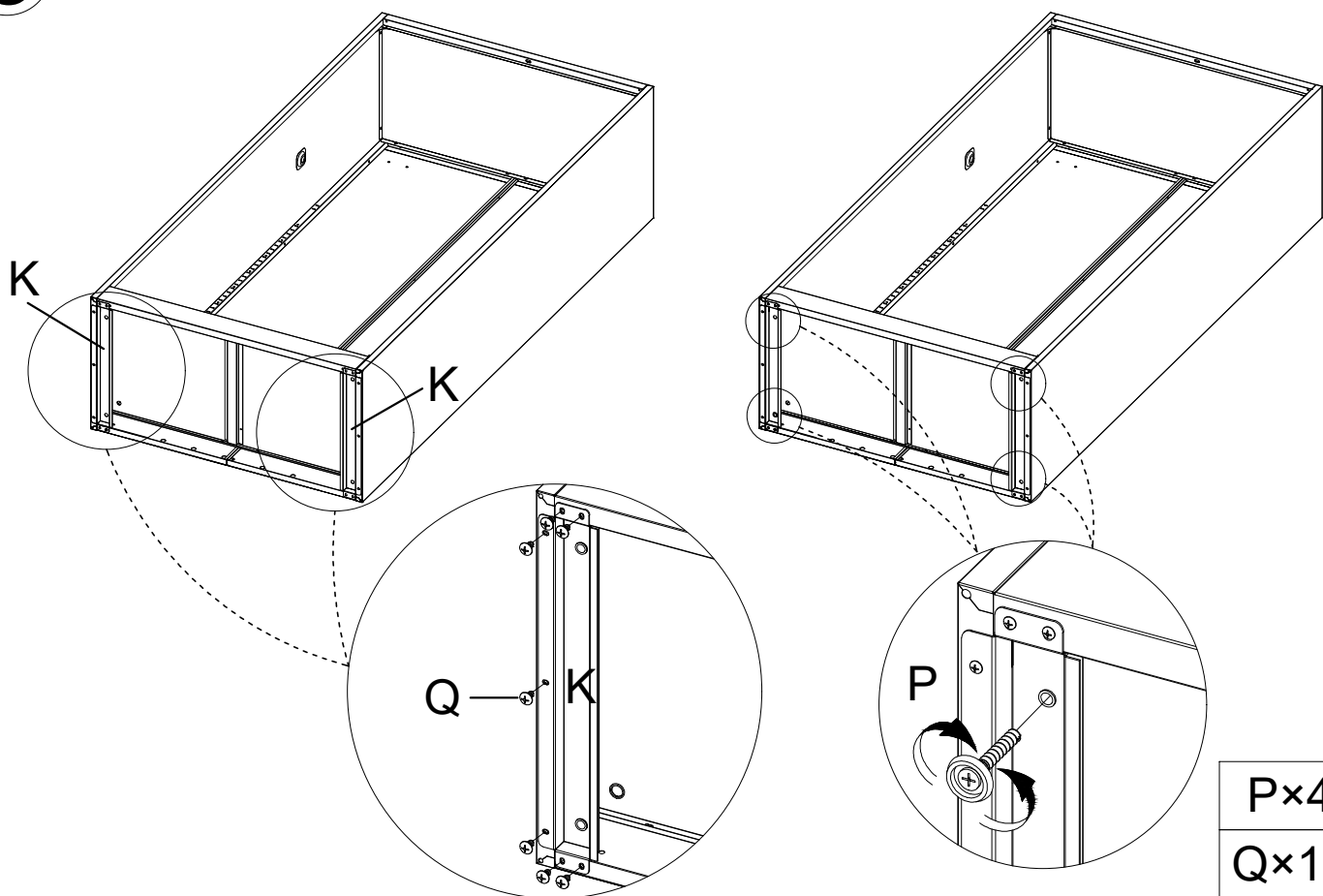
Q×4

7



Q×7

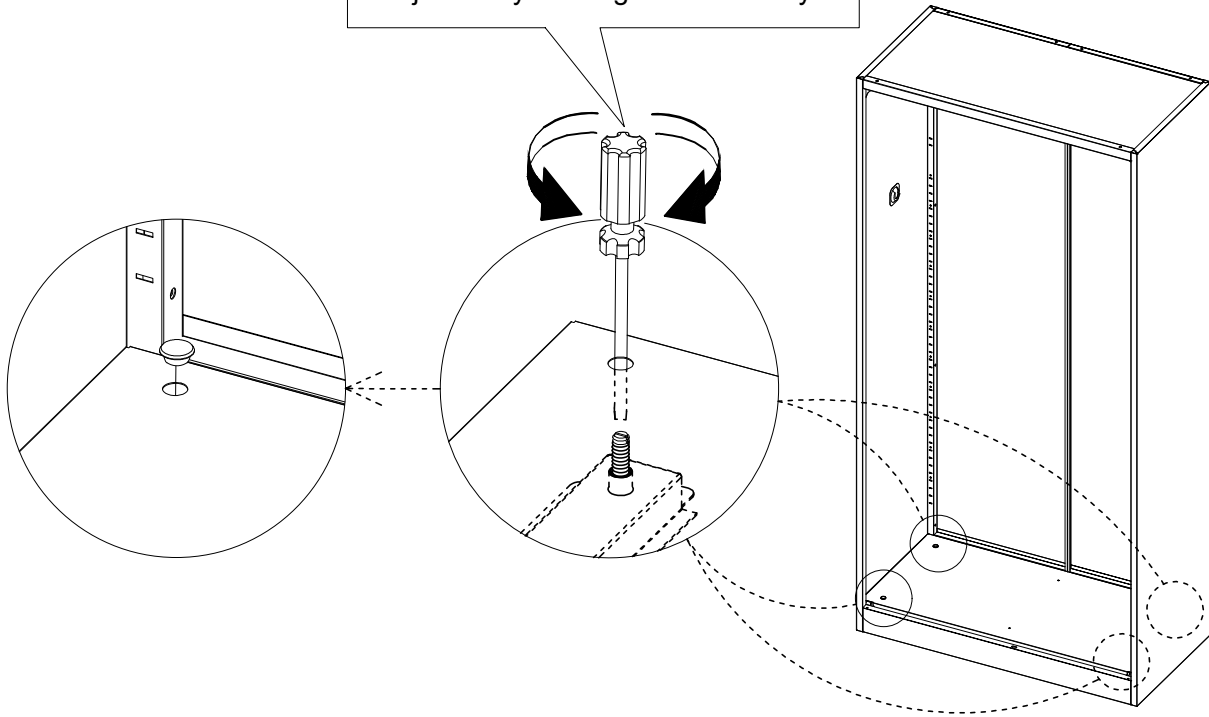
8



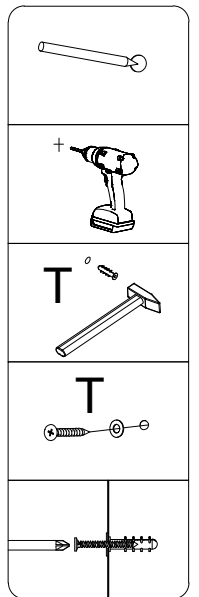
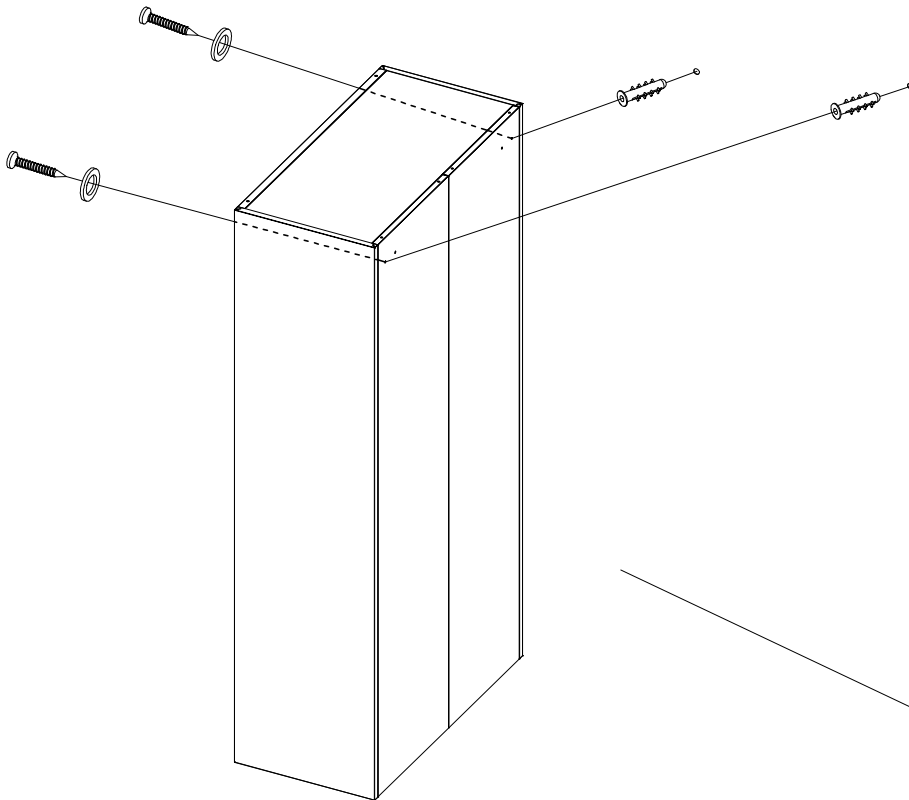
P×4
Q×14

9

If the cabinet is uneven, it can be adjusted by rotating the accessory P.

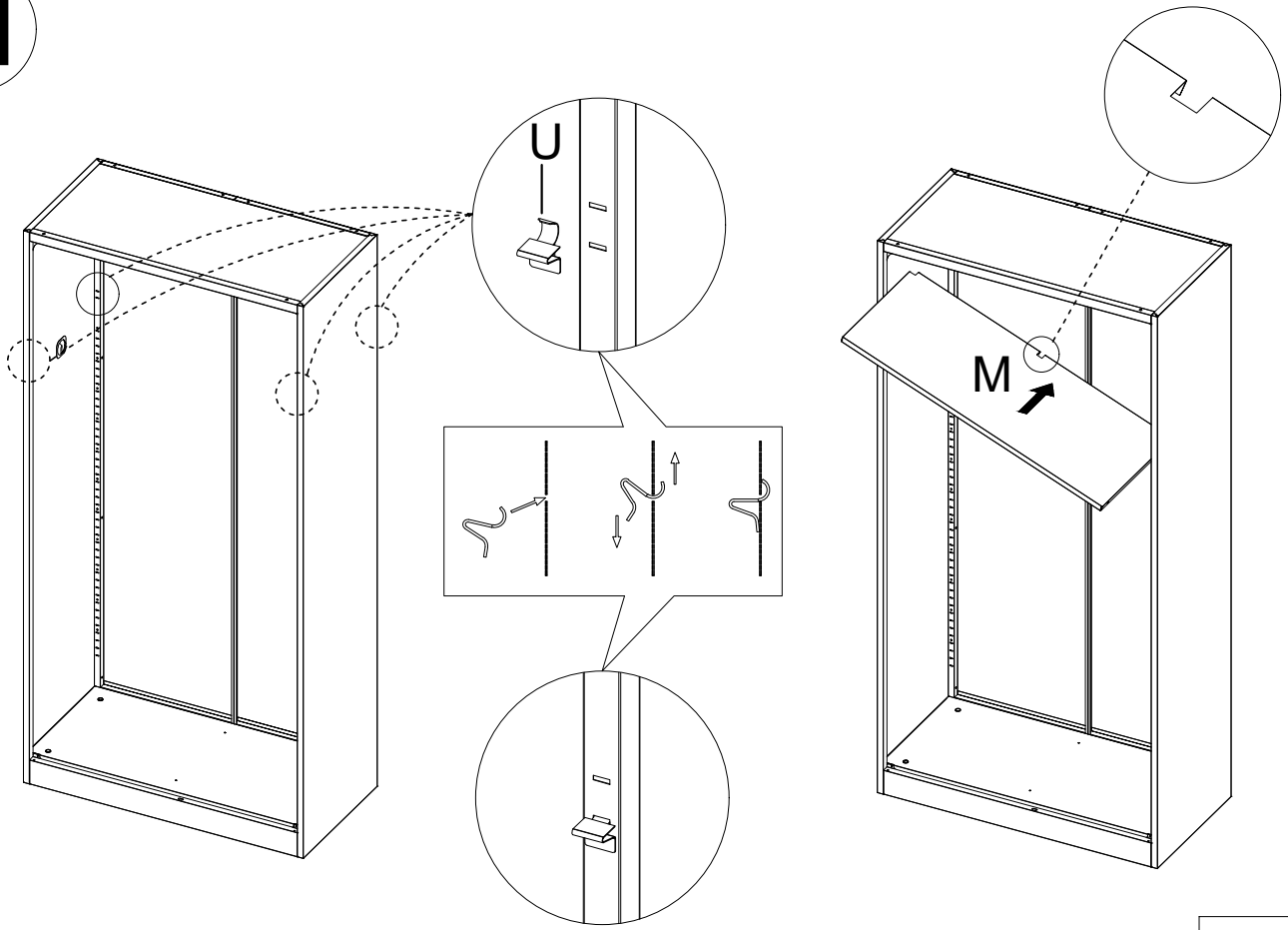


10



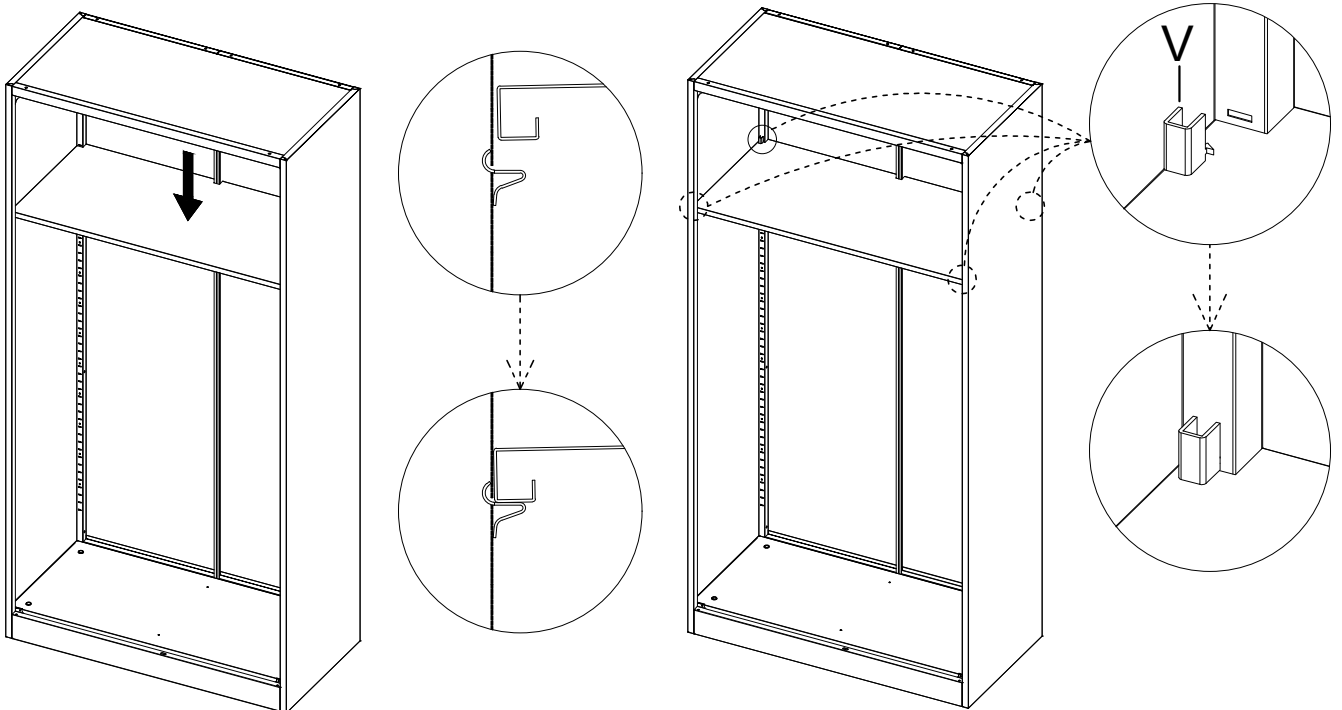
T×2

11



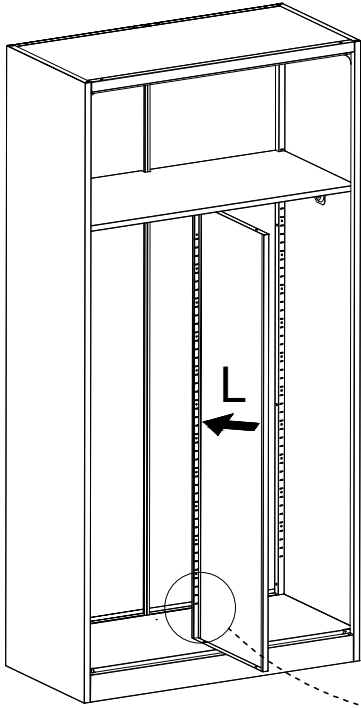
U×4

12

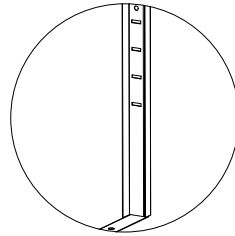
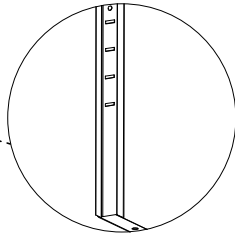
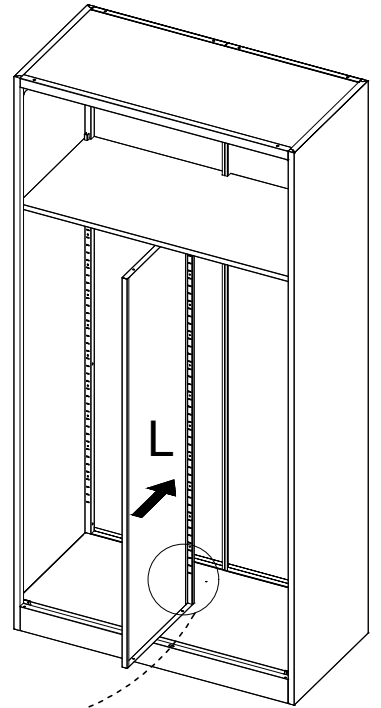


V×4

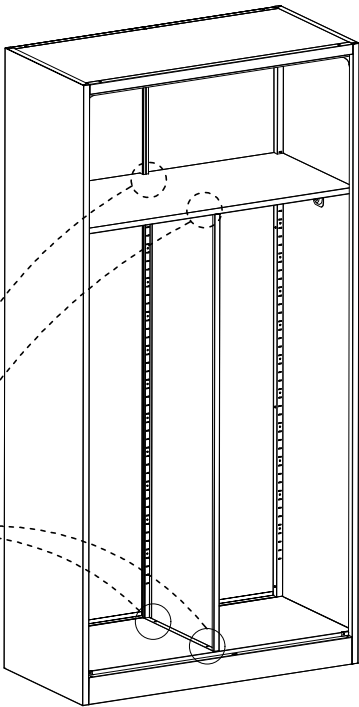
13



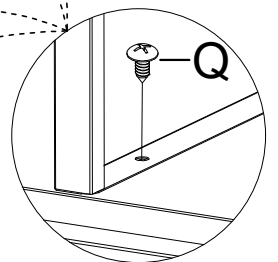
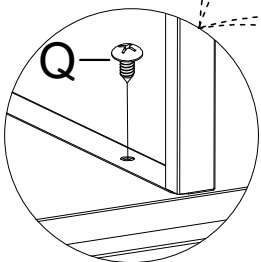
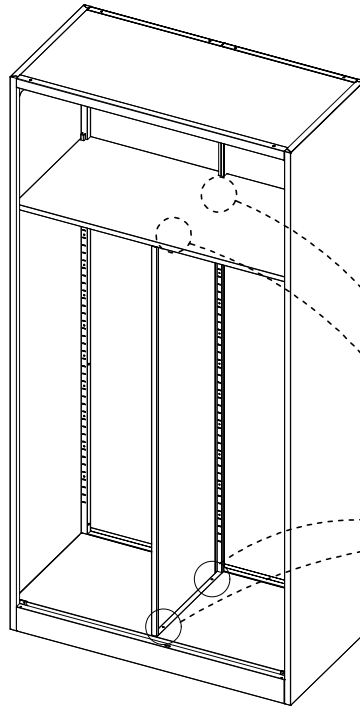
or



14



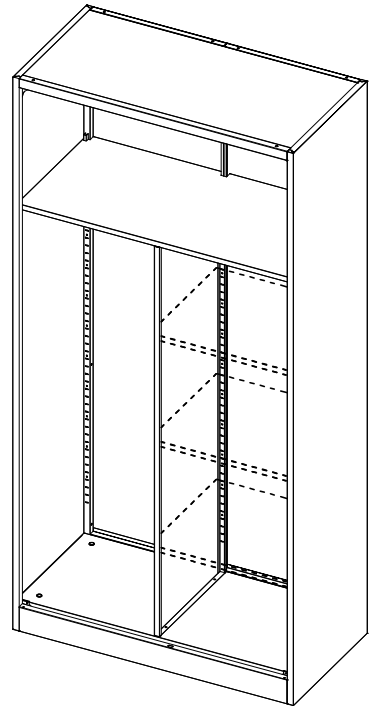
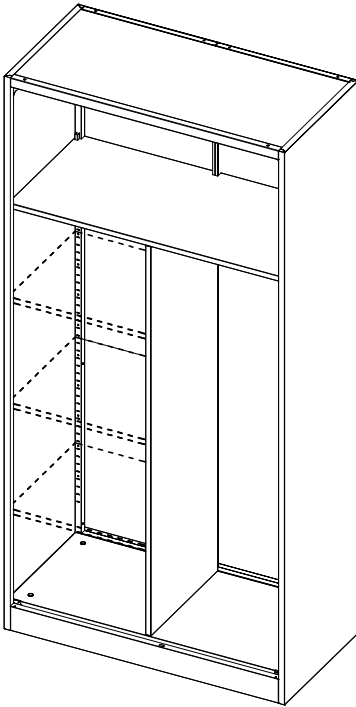
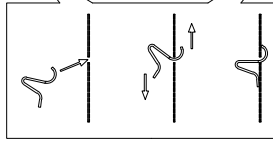
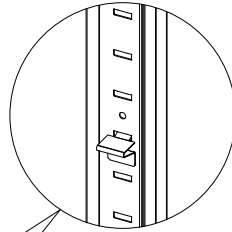
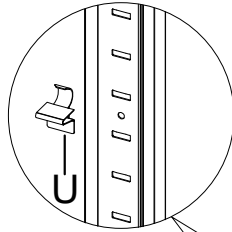
or



Q×4

Q×4

15

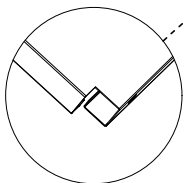
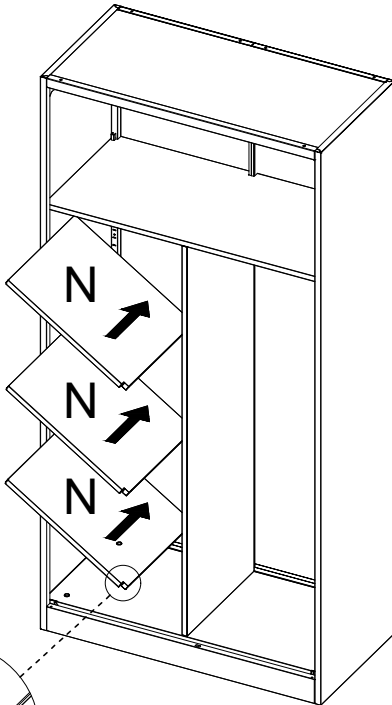


or

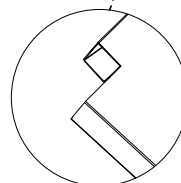
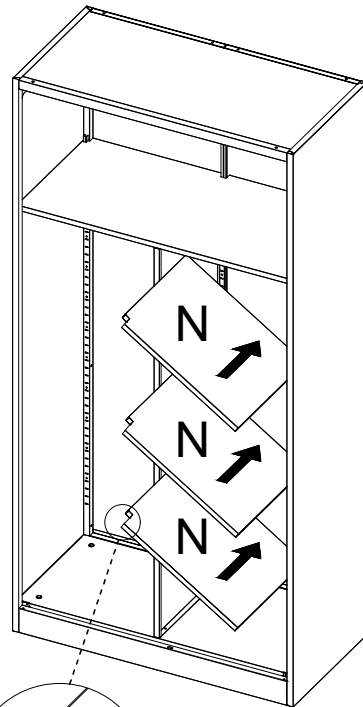
U×12

U×12

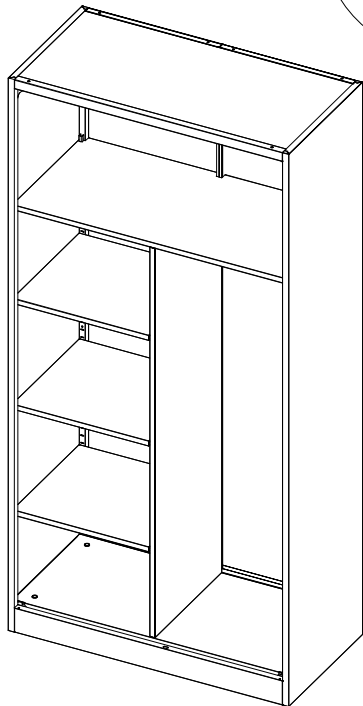
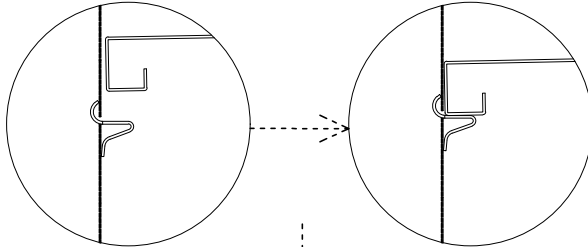
16



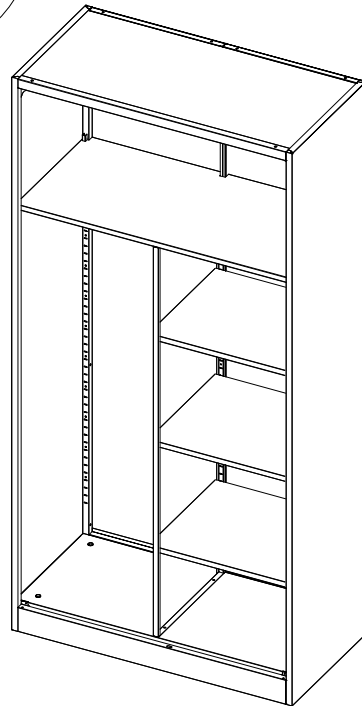
or



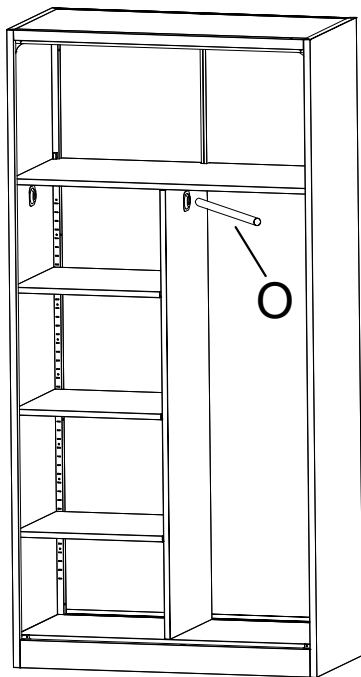
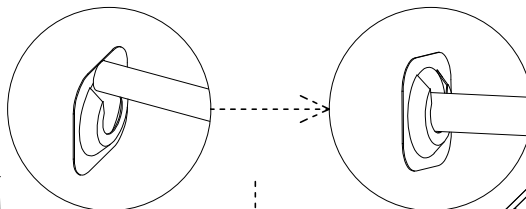
17



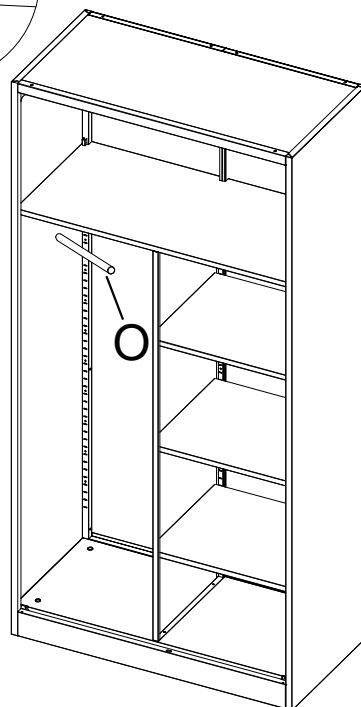
or



18



or

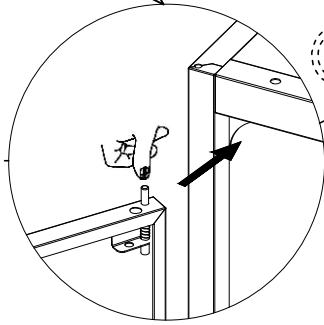
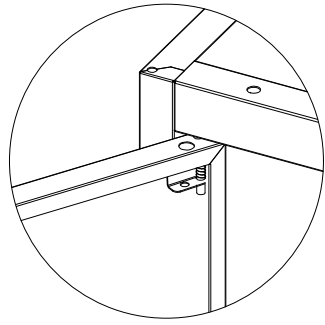
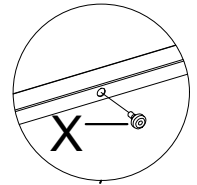


Ox1

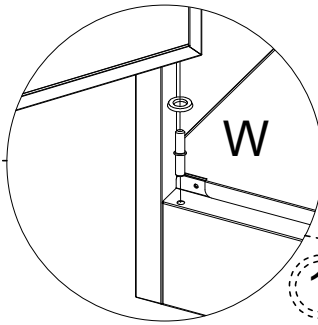
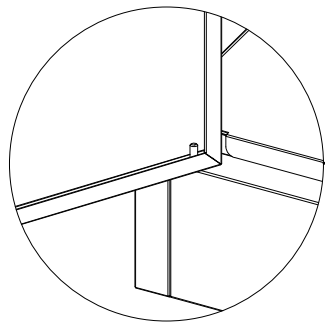
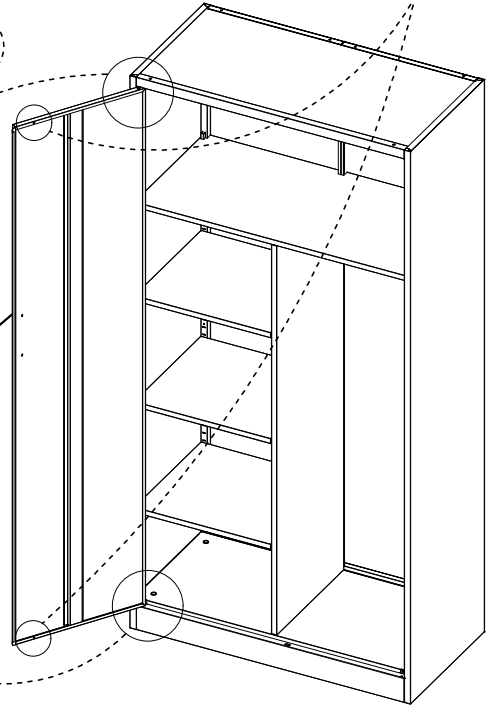
Ox1

19

If the spring shaft is lost, spare parts AA can be used.



2



1

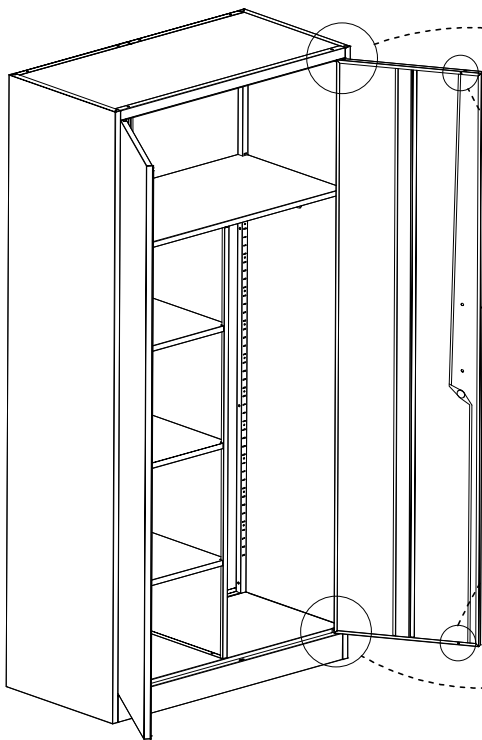
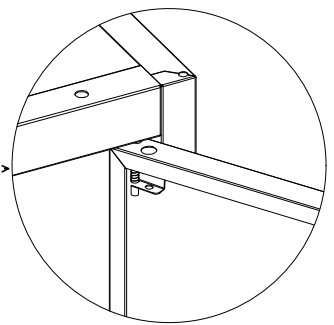
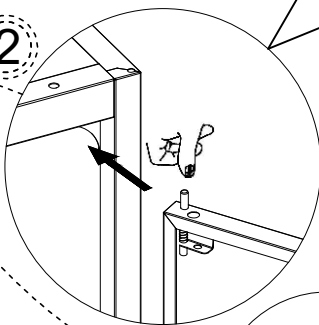
W×1 X×2

20

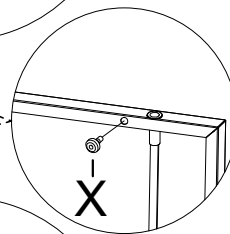
If the spring shaft is lost, spare parts AA can be used.



2

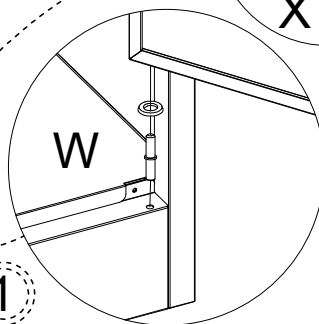


E

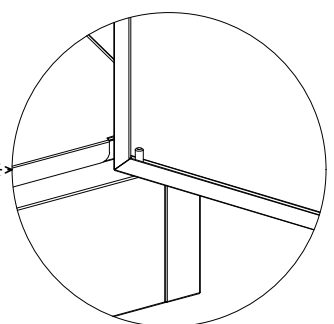


X

1

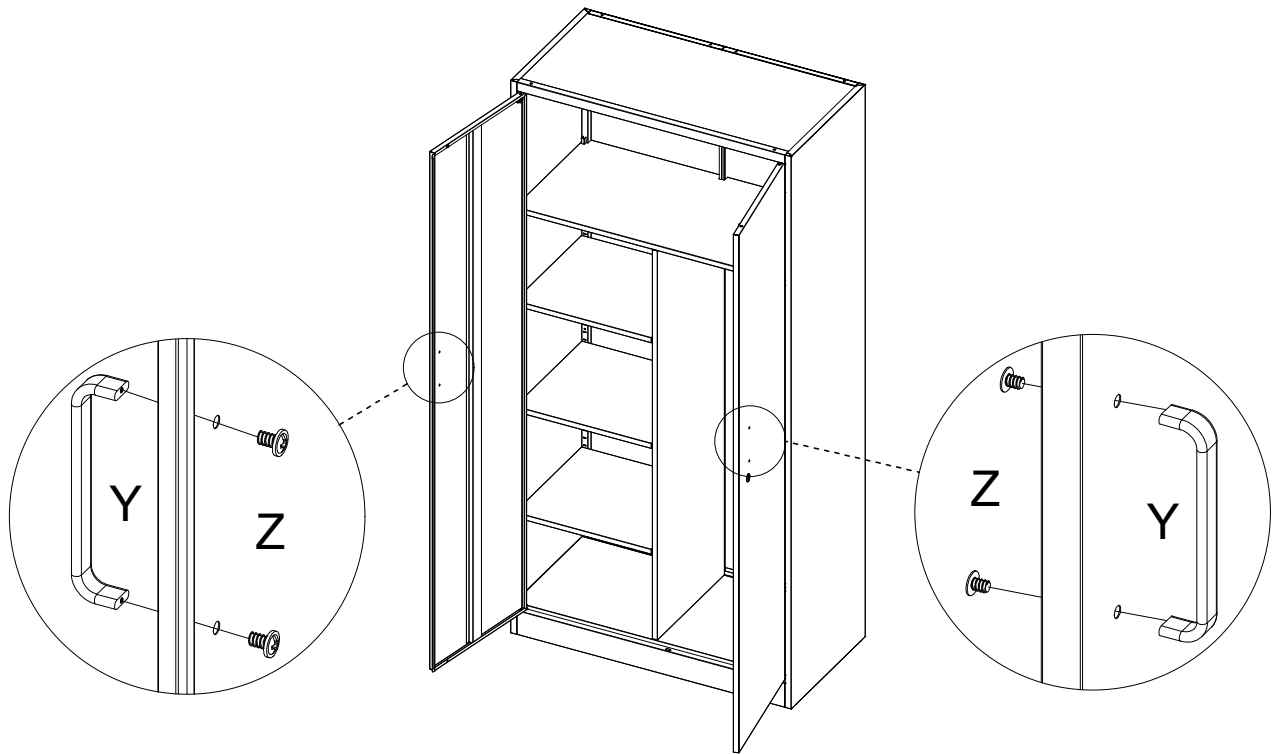


W



W×1 X×2

21



Y×2	Z×4
-----	-----

22

