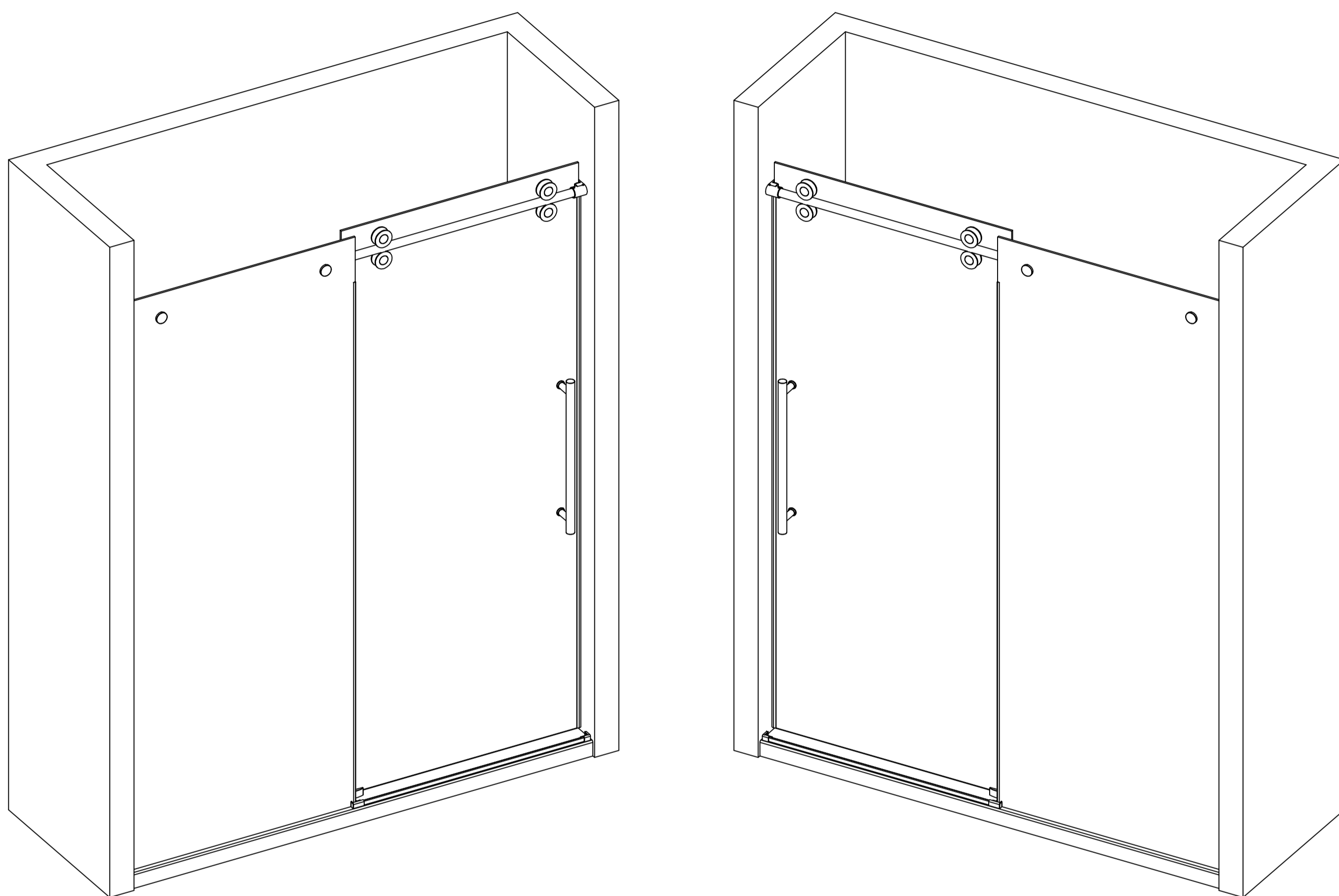


SHOWER DOOR INSTALLATION INSTRUCTION MANUAL

MBSF03

BNSF03

CHSF03



For any inquiries or support regarding your shower door, please contact our Customer Service at: Aquadureservice@outlook.com.

NOTE: This model is reversible for left or right-hand door installation. This manual will show the Right-hand door installation as an example throughout.

To help us assist you promptly, please provide the following information in your email:

- Order ID
- Product Model Number

General Information

Please inspect the product immediately upon receipt for any transit damage, missing packs/parts, or manufacturing faults. Damage reported at a later stage cannot be accepted. Handle the product with care, avoiding knocks and shock loading to all sides and edges of the glass.

Note: Safety glass cannot be reworked.

Please read these instructions carefully before beginning installation.

Special care should be taken when drilling walls to avoid damaging hidden pipes or electrical cables.

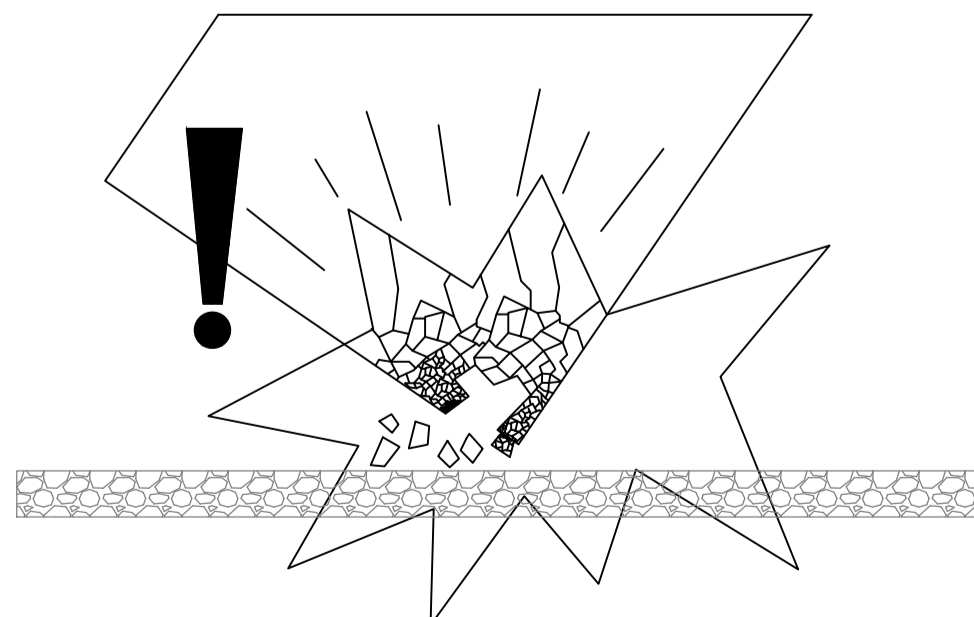
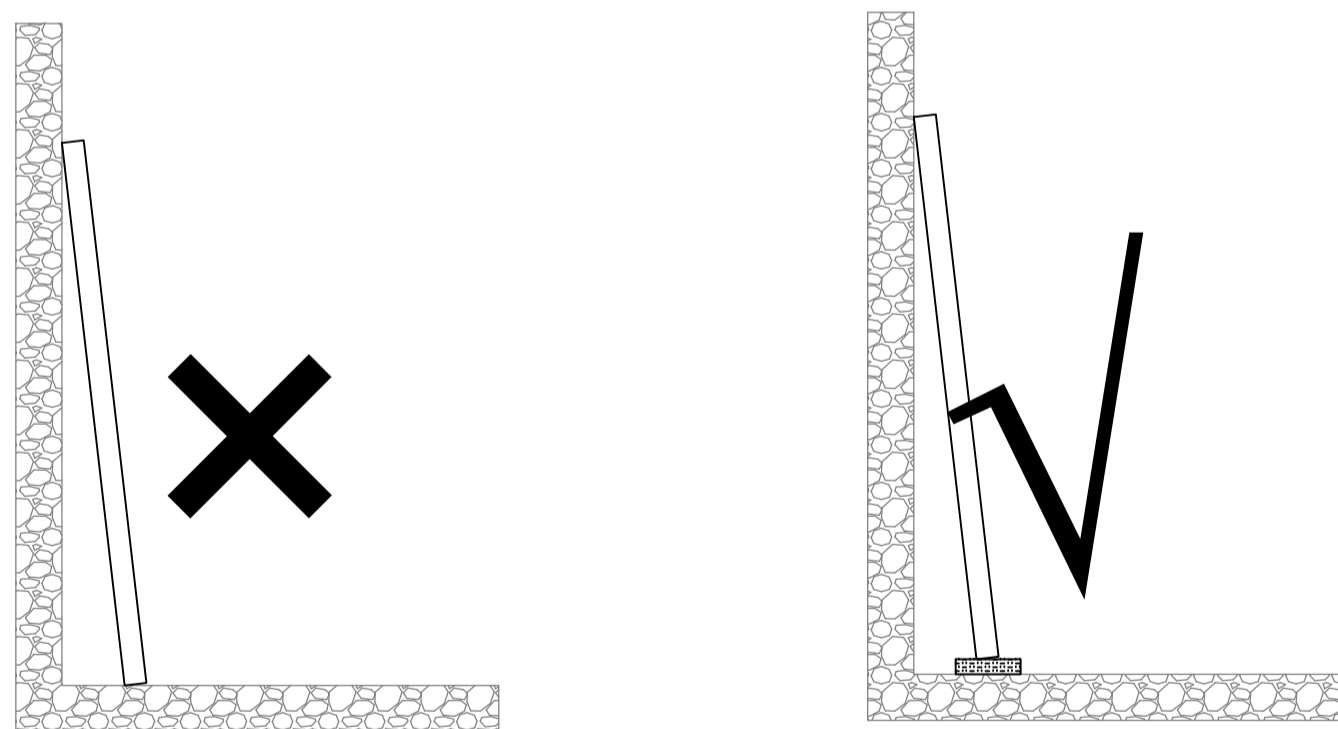
Note: This product is heavy and may require two people for installation.

Aftercare Instructions

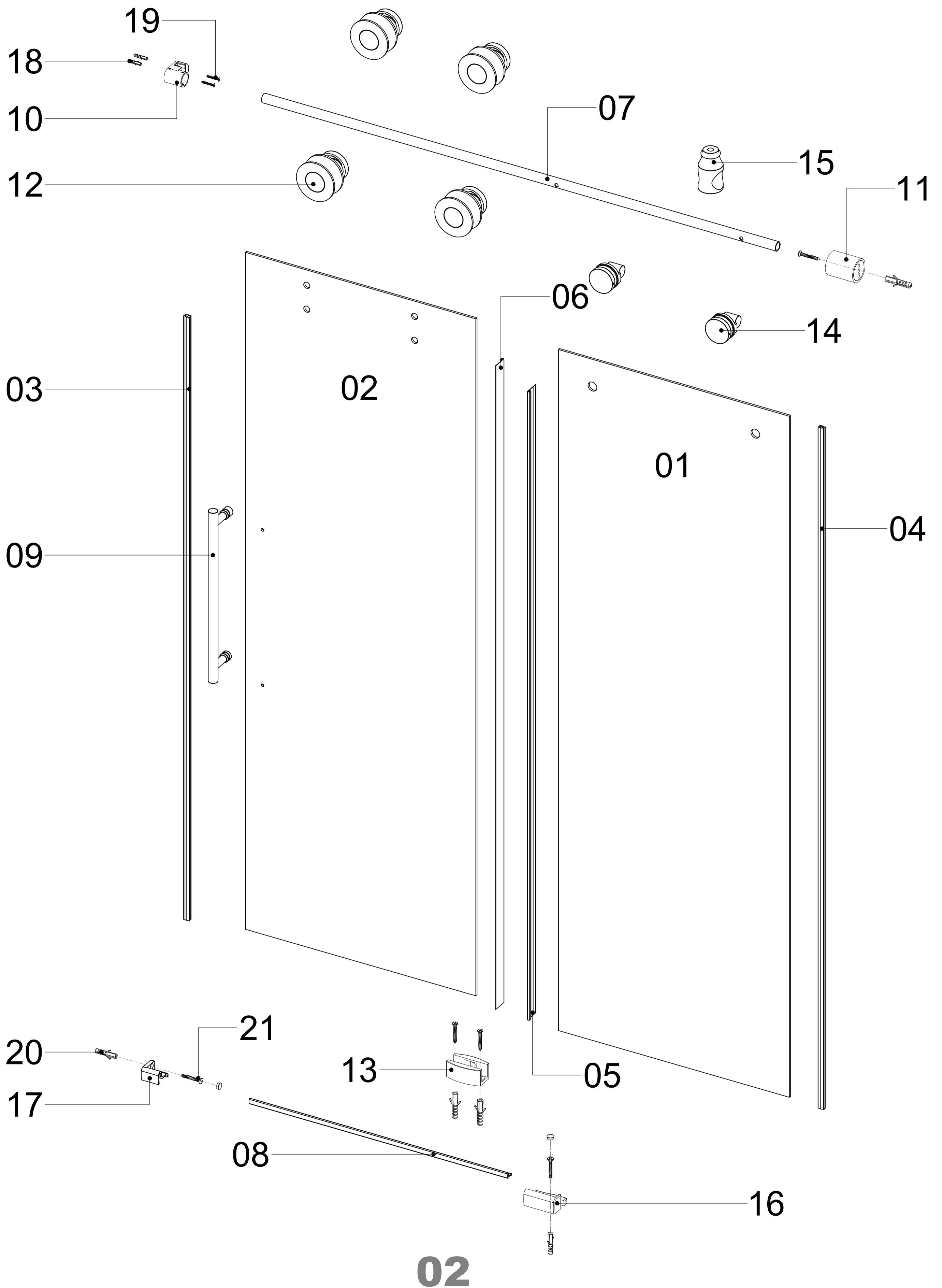
After use, the shower enclosure should be cleaned with soap and water. This is particularly important in hard water areas, where insoluble lime salts may be deposited and accumulate. Do not use gritty or abrasive cleaners. Take care to avoid contact with strong chemicals such as organic solvents and paint strippers. Glass cleaners may be used, but with caution. If in doubt, please consult the manufacturer of the cleaning product in question.

Please retain these instructions for future reference regarding aftercare and customer service details.

CAUTION: To reduce the risk of breakage, keep the corner protectors on the glass during installation. Retain the corner protectors in case future adjustments are needed.


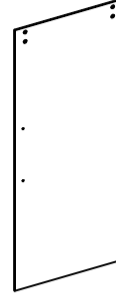
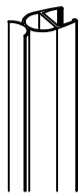
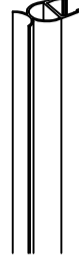
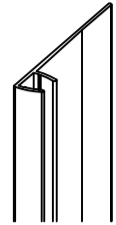
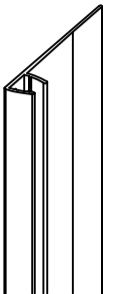
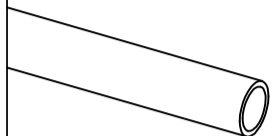
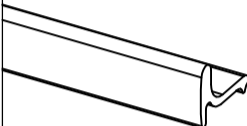
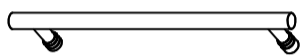
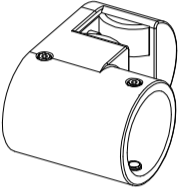
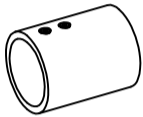

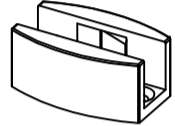

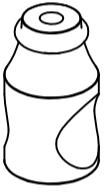
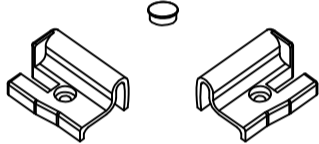
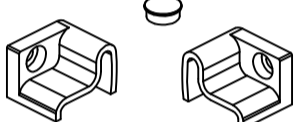
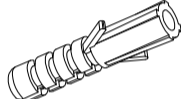
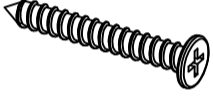
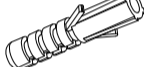

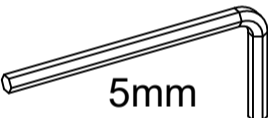
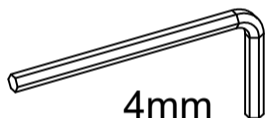



DETAILED DIAGRAM OF SHOWER DOOR COMPONENTS

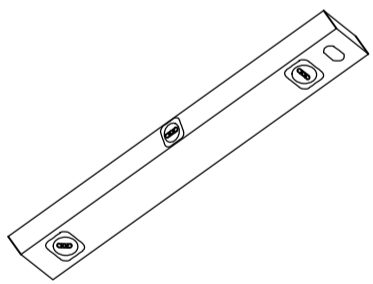
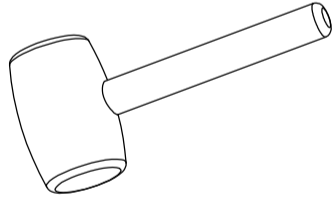
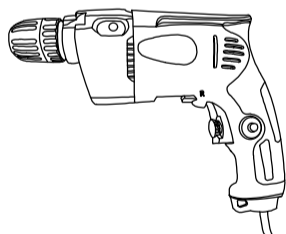
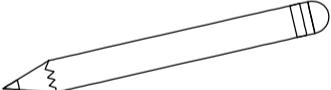
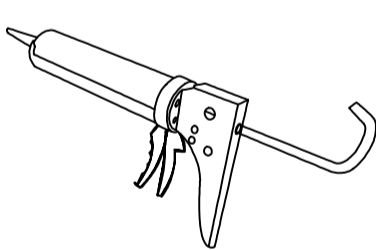
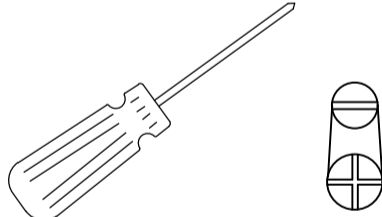
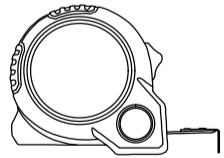
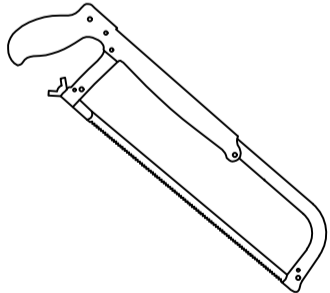
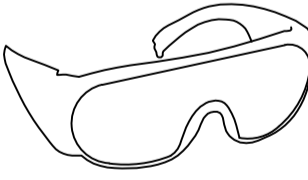
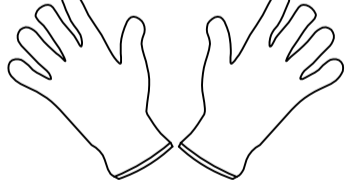

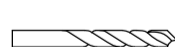


PART LIST

Please verify that you have all the following parts before starting assembly.

01 1PC  Fixed Panel	02 1PC  Sliding Glass Panel	03 1PC  Side Anti-water Strip	04 1PC  Side Anti-water Strip	05 1PC  F-shaped Water Seal Strip	06 1PC  F-shaped Water Seal Strip	07 1PC  Top Rail	
08 1PC  Bottom Rail	09 1PC  Handle	10 1PC  Rail Wall Connector	11 1PC  Rail Wall Connector	12 4PCS  Roller Assembly	13 1PC  Sliding Block	14 2PCS  Fixed Panel Holder	
15 1PC  Door Stopper	16 2PCS  Glass Clip L/R	17 2PCS  Threshold Cover L/R	18 5PCS  Ø8mm Wall Anchor	19 5PCS  Self-Tapping Screws(ST5x35)	20 2PCS  Ø6mm Wall Anchor	21 2PCS  Self-Tapping Screws(ST4x30)	
22 1PC  5mm Allen Wrench	23 1PC  4mm Allen Wrench	24 1PC  2.5mm Allen Wrench					

Recommended Tools

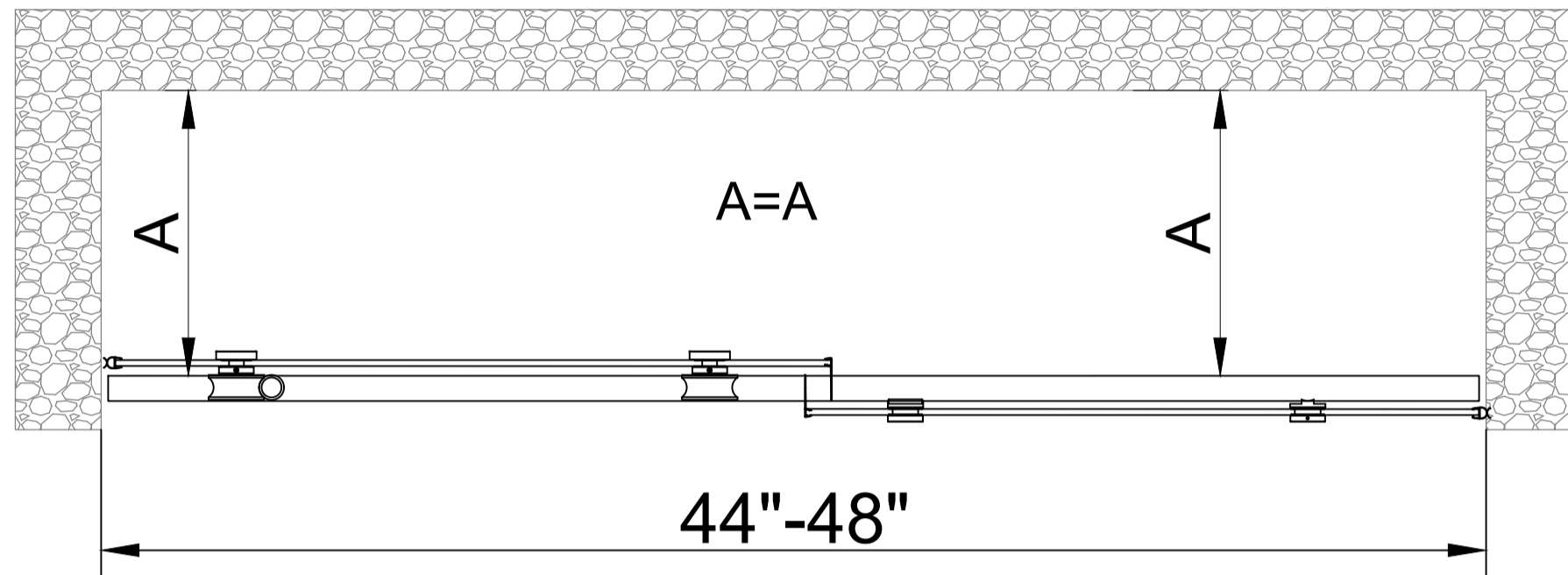
 Level	 Rubber Hammer	 Drill	 Pencil	 Silicone	 Screw Driver
 Tape Measure	 Hacksaw	 Safety Glass	 Safety Gloves	Ø8mm  Ø6mm  Drill Bit	

Warning:

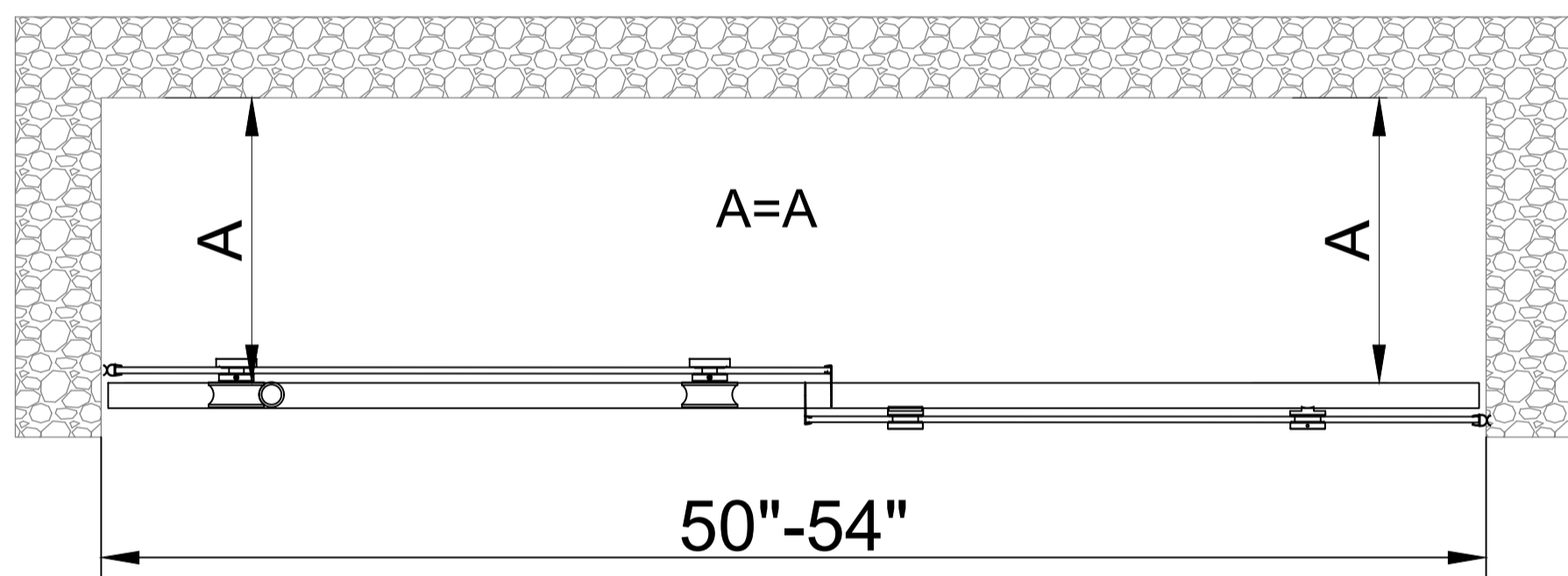
- Always wear safety glasses and gloves during assembly to prevent injury.
- We recommend that two people work together to complete the installation.

Choose the appropriate diagram below to assemble your shower door based on your opening width.

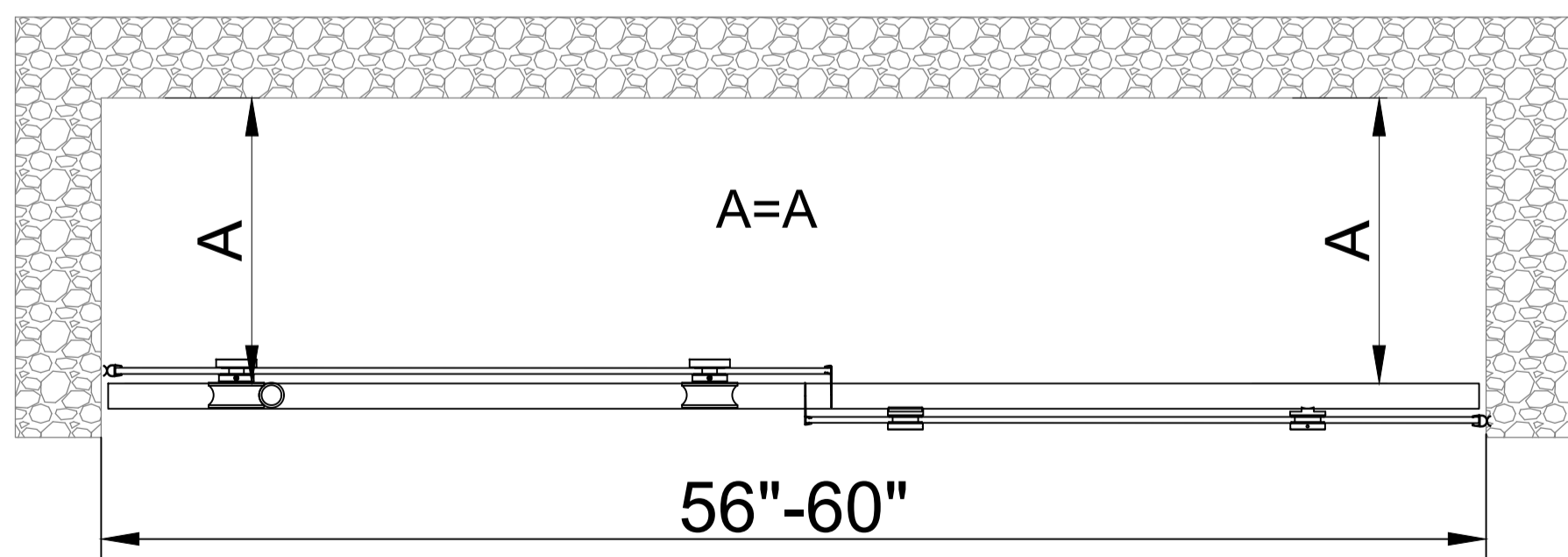
For an opening width between 44" to 48", please follow the installation diagram below.



For an opening width between 50" to 54", please follow the installation diagram below.

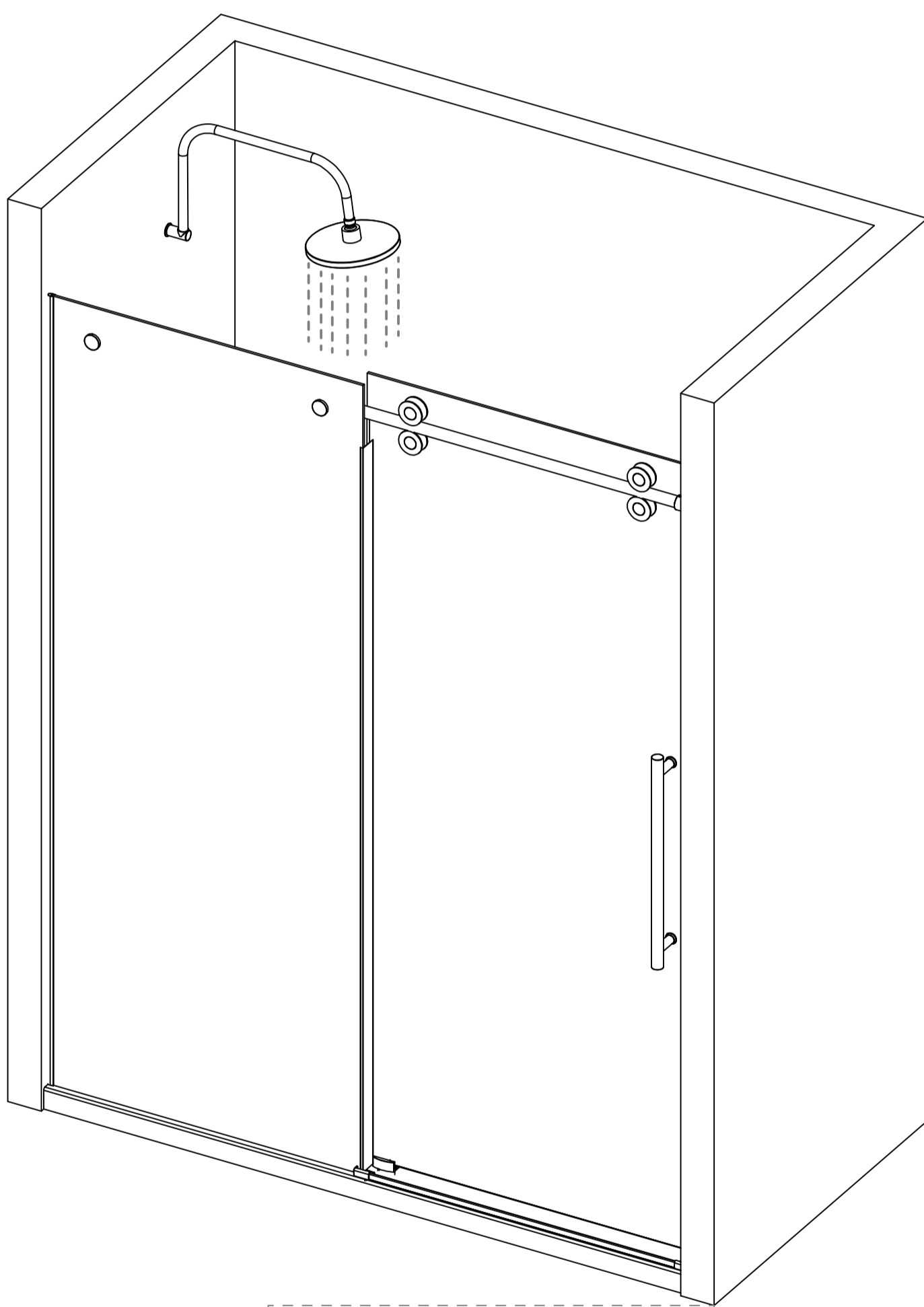


For an opening width between 56" to 60", please follow the installation diagram below.

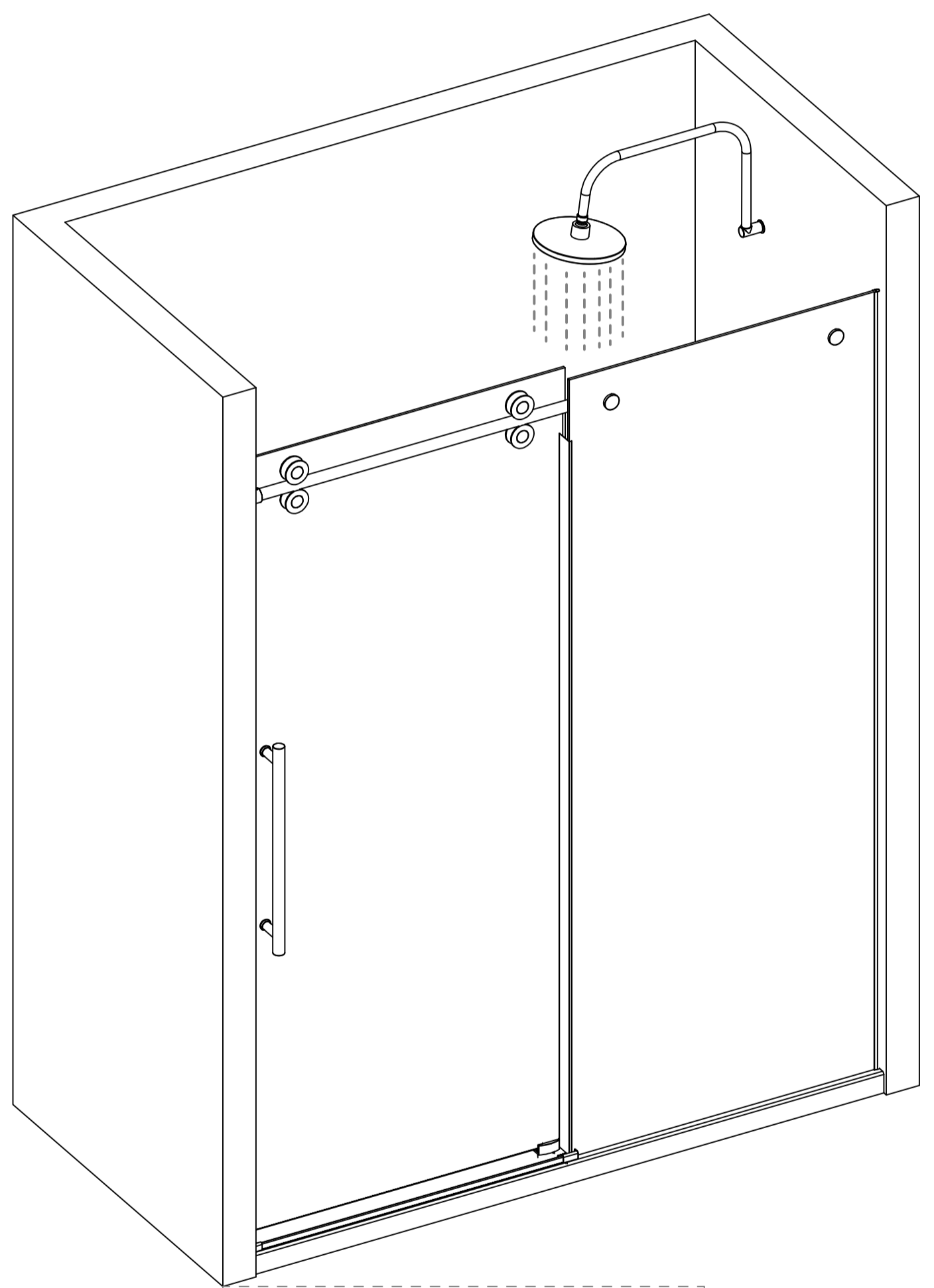


STEP 1 Determine the Door Swing Direction (Left or Right)

Note: We recommend installing the fixed door panel on the same side as the shower head to prevent water leakage. This model is reversible for left or right-handed installation. This manual uses the shower-on-right configuration as an example throughout.

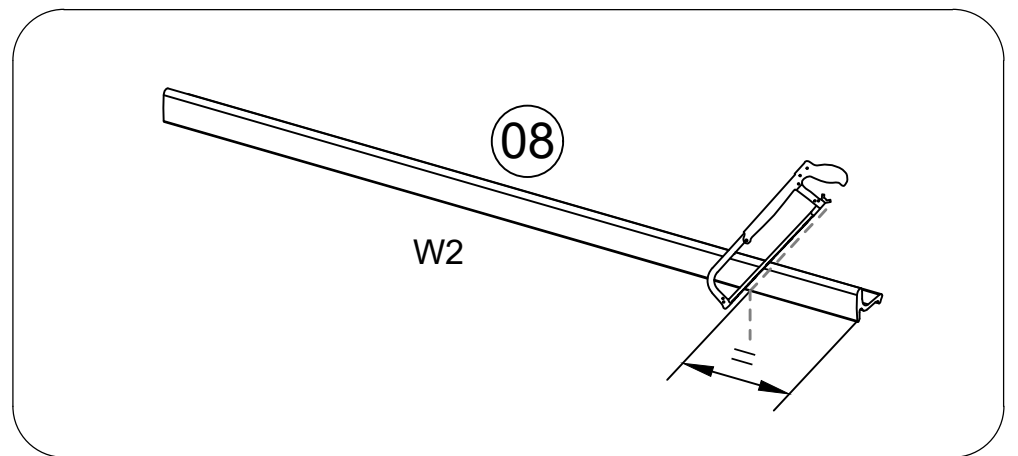
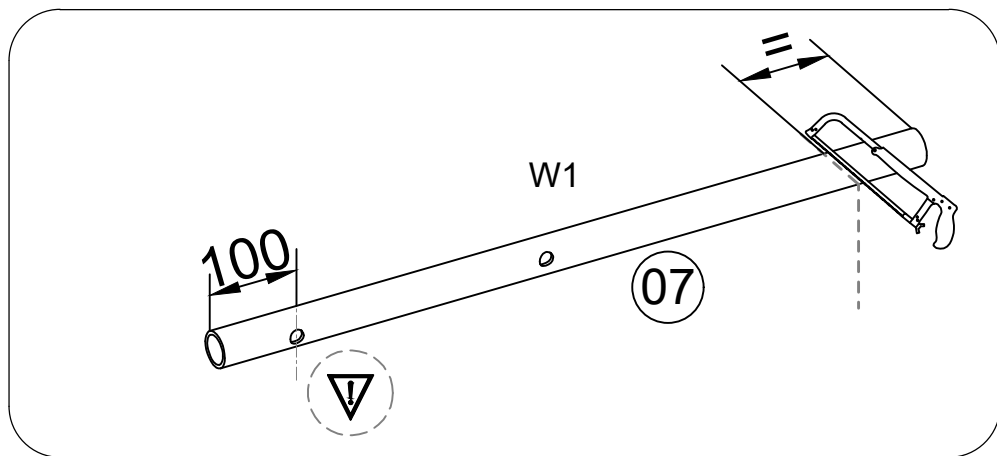
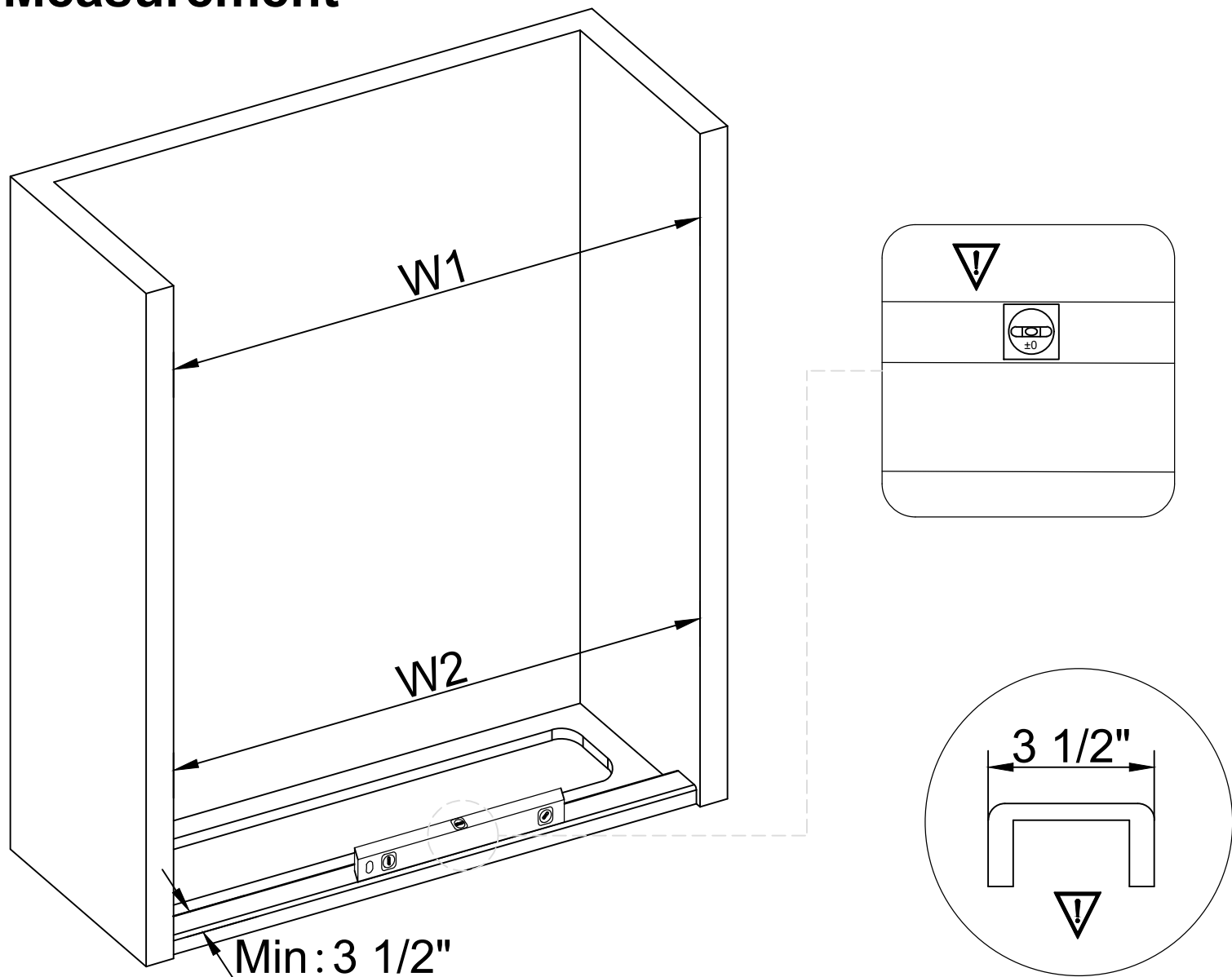


Shower on left -Door opens to left



Shower on right - Door opens to right

STEP 2 Measurement



1. Check Alignment & Measure

Ensure the threshold is perfectly level and the side walls are plumb. Measure the finished opening width at the top (record as W1) and at the bottom (record as W2).

2. Assess Rail Fit

If no cutting is needed: Proceed to the next installation step.

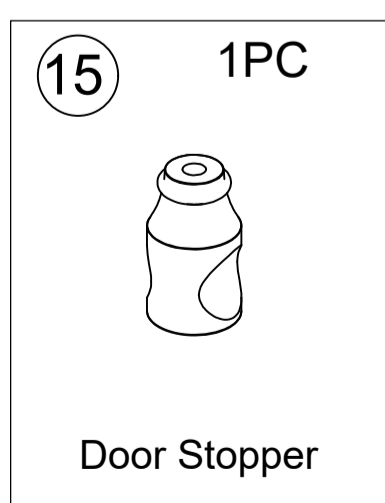
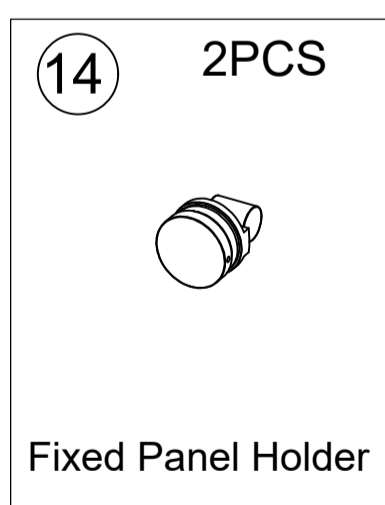
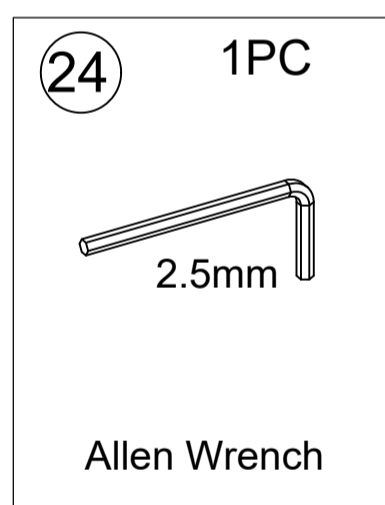
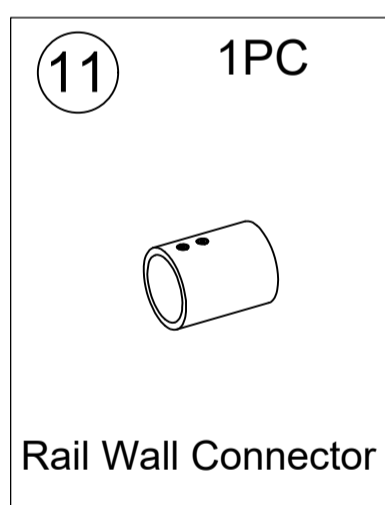
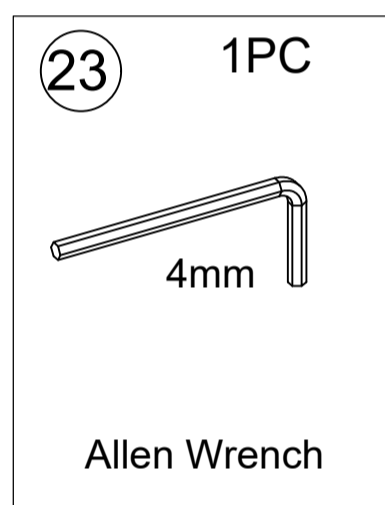
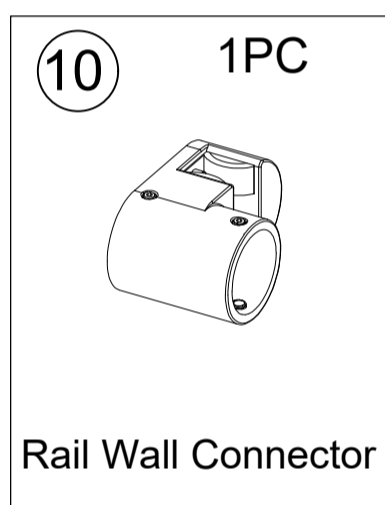
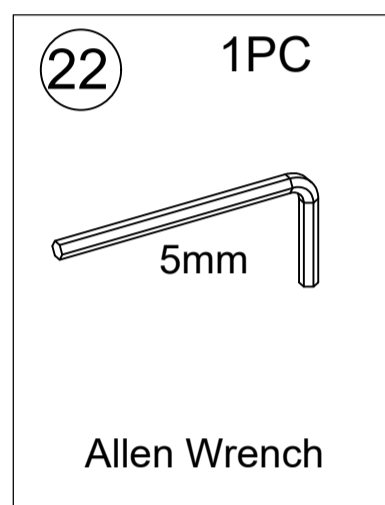
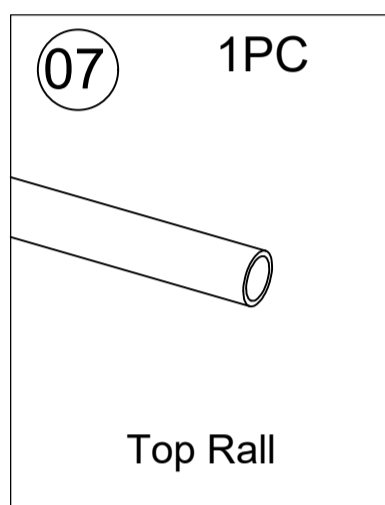
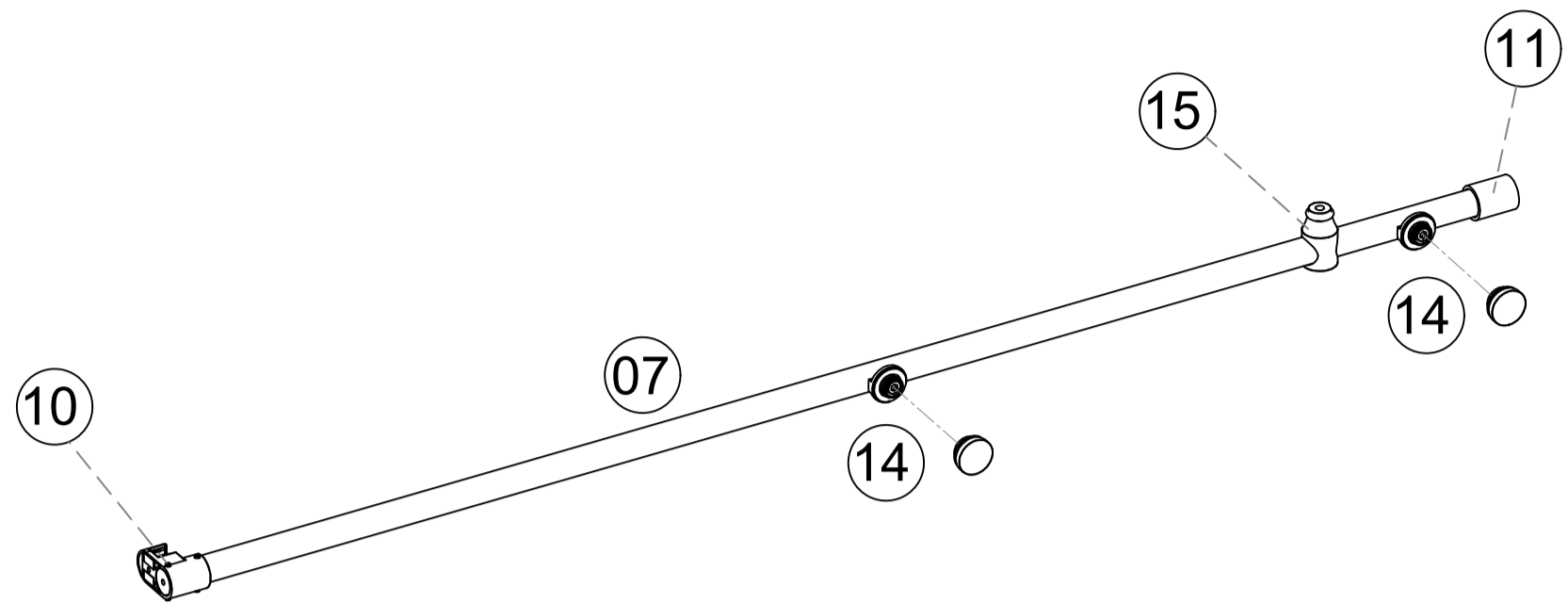
If cutting is required: If the opening is smaller than your shower model size, both the Top Rail and Bottom Rail will need to be cut to fit.

3. Cutting the Rails (If Required)

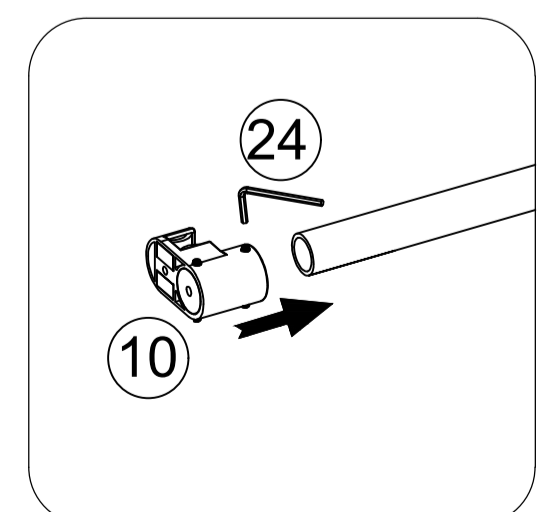
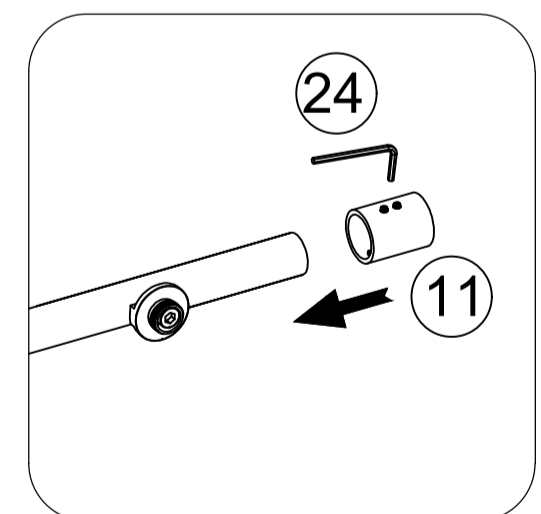
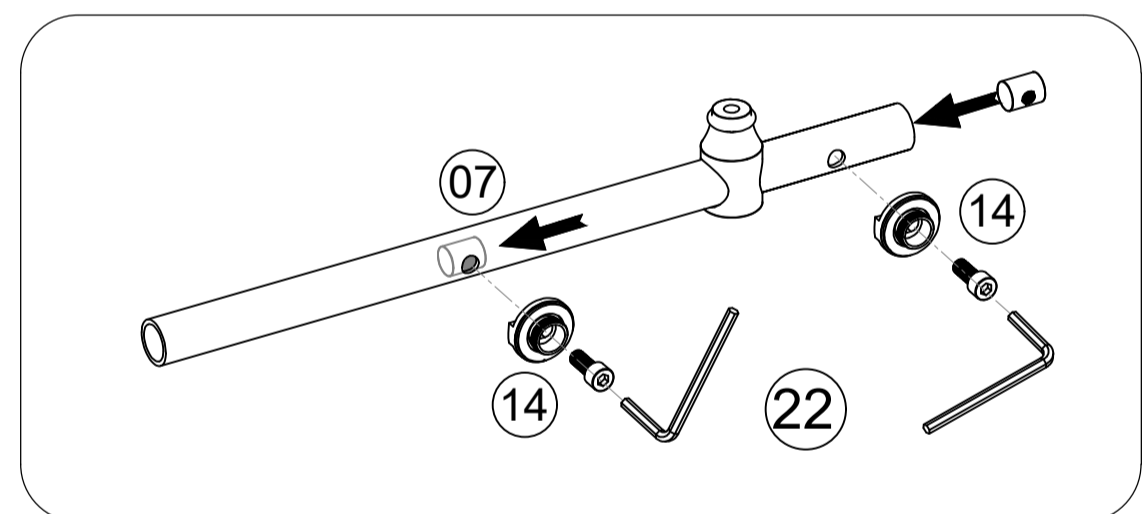
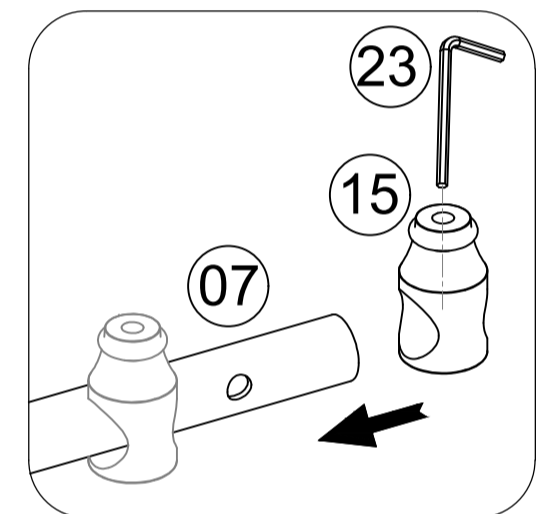
Follow the calculations in the table below.

Model Size	Top Rail Length	Top Rail Cut Length	Bottom Rail Length	Bottom Rail Length Cut Length
44" to 48"	47 31/64"	47 31/64"-(W1-38/64")	23 55/64"	47 31/64"-(W2-38/64")
50" to 54"	53 30/64"	53 30/64"-(W1-38/64")	26 55/64"	53 30/64"-(W2-38/64")
56" to 60"	59 29/64"	59 29/64"-(W1-38/64")	29 54/64"	59 29/64"-(W2-38/64")

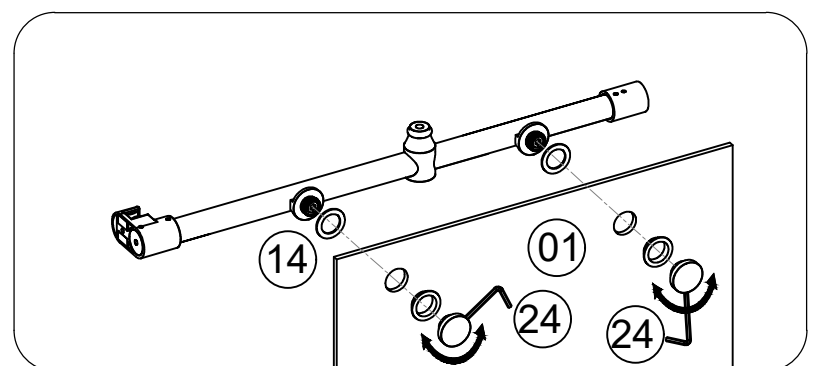
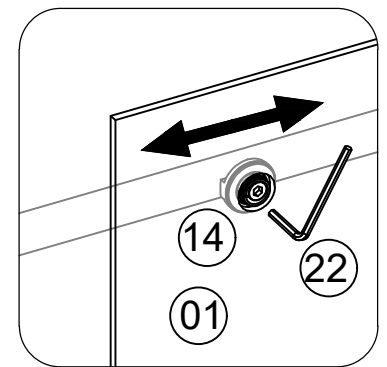
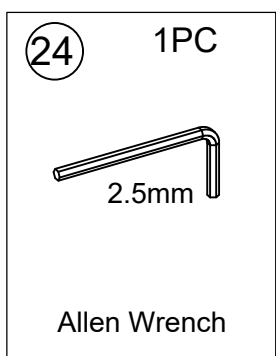
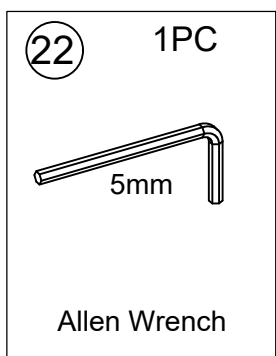
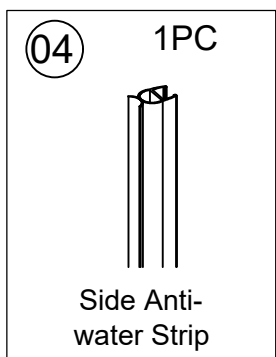
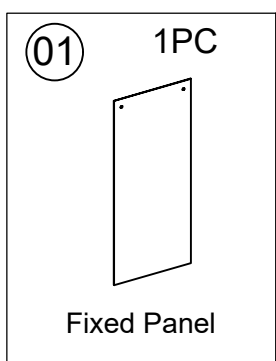
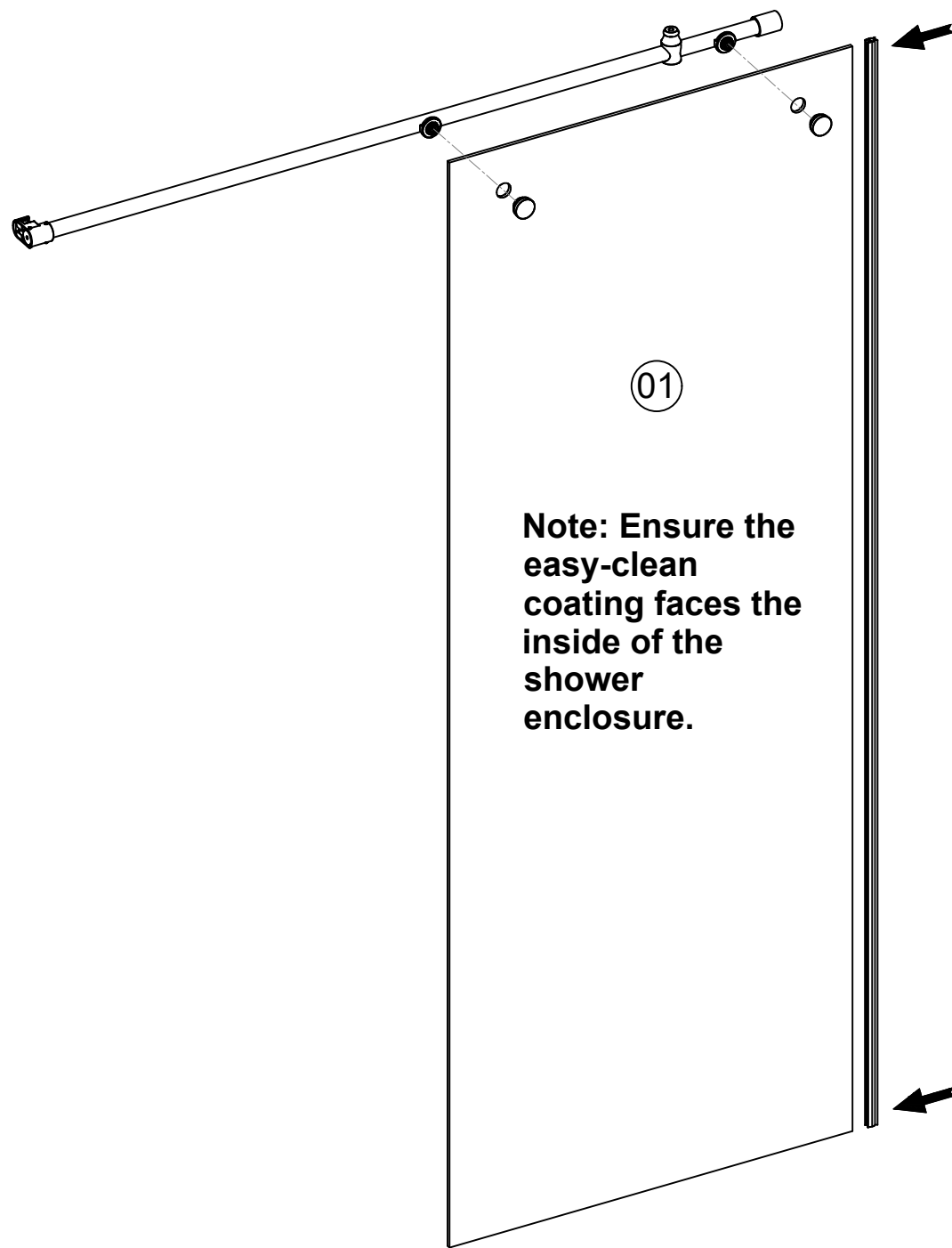
STEP 3 Installation of Top Rail Fixed Panel Holder/Door Stopper/Rail wall Connector



1. Slide the door stopper (15) into place between the two mounting holes and secure it using the Allen wrench (23).
2. Install the fixed panel holder (14) and secure it using the Allen wrench (22).
3. Attach the rail wall connector (11) to the end of the fixed panel holder (14) and tighten it with the Allen wrench (24).
4. Attach the rail wall connector (10) to the other end and tighten it with the Allen wrench (24).

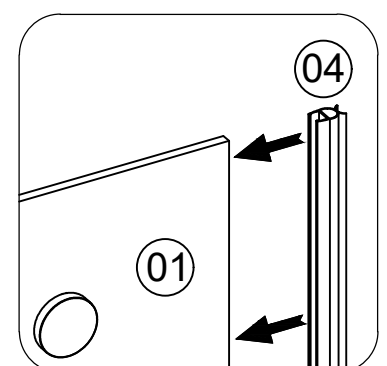


STEP 4 Installation of the Fixed Glass Panel and Side Anti-water Strip

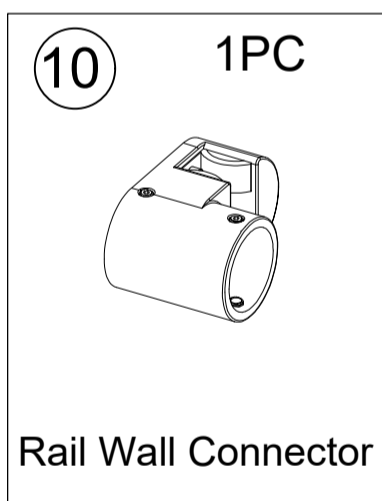
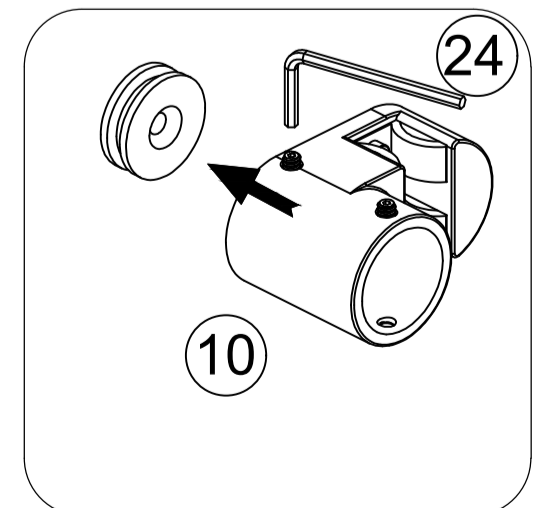
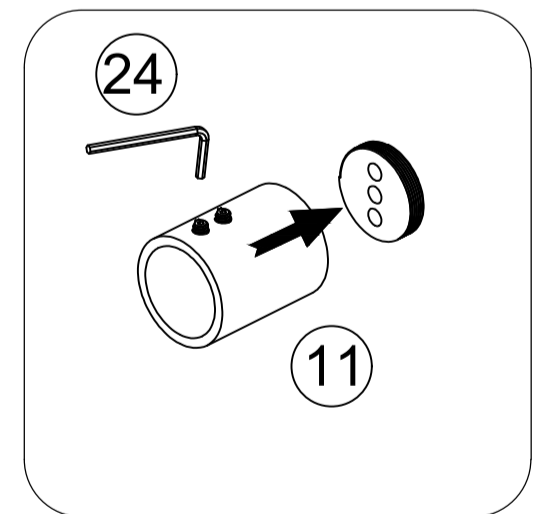
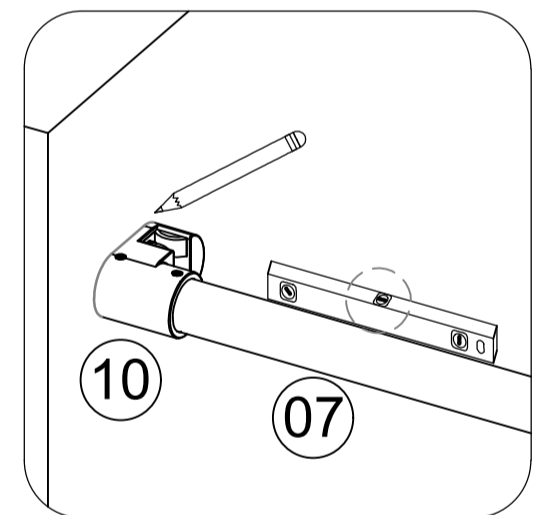
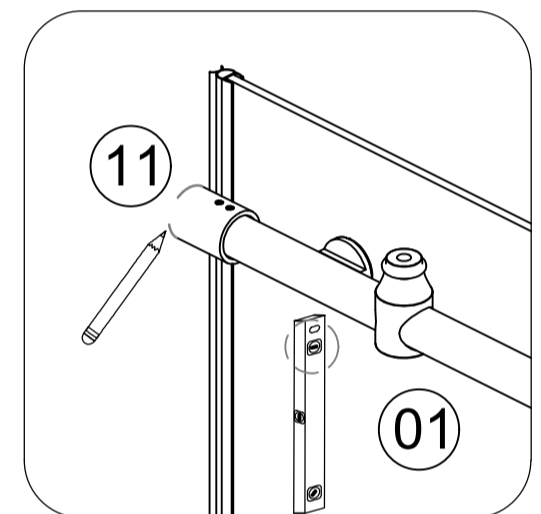
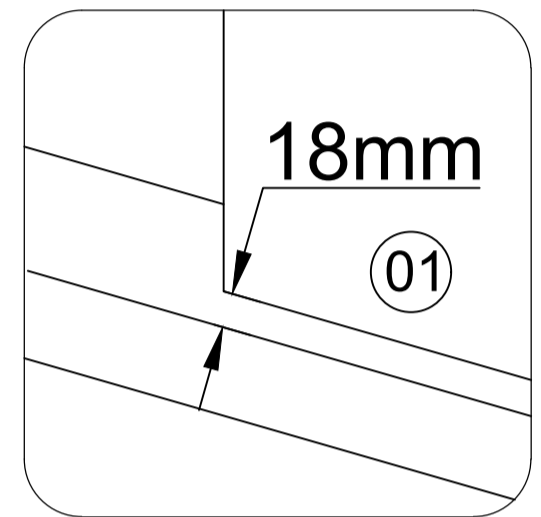
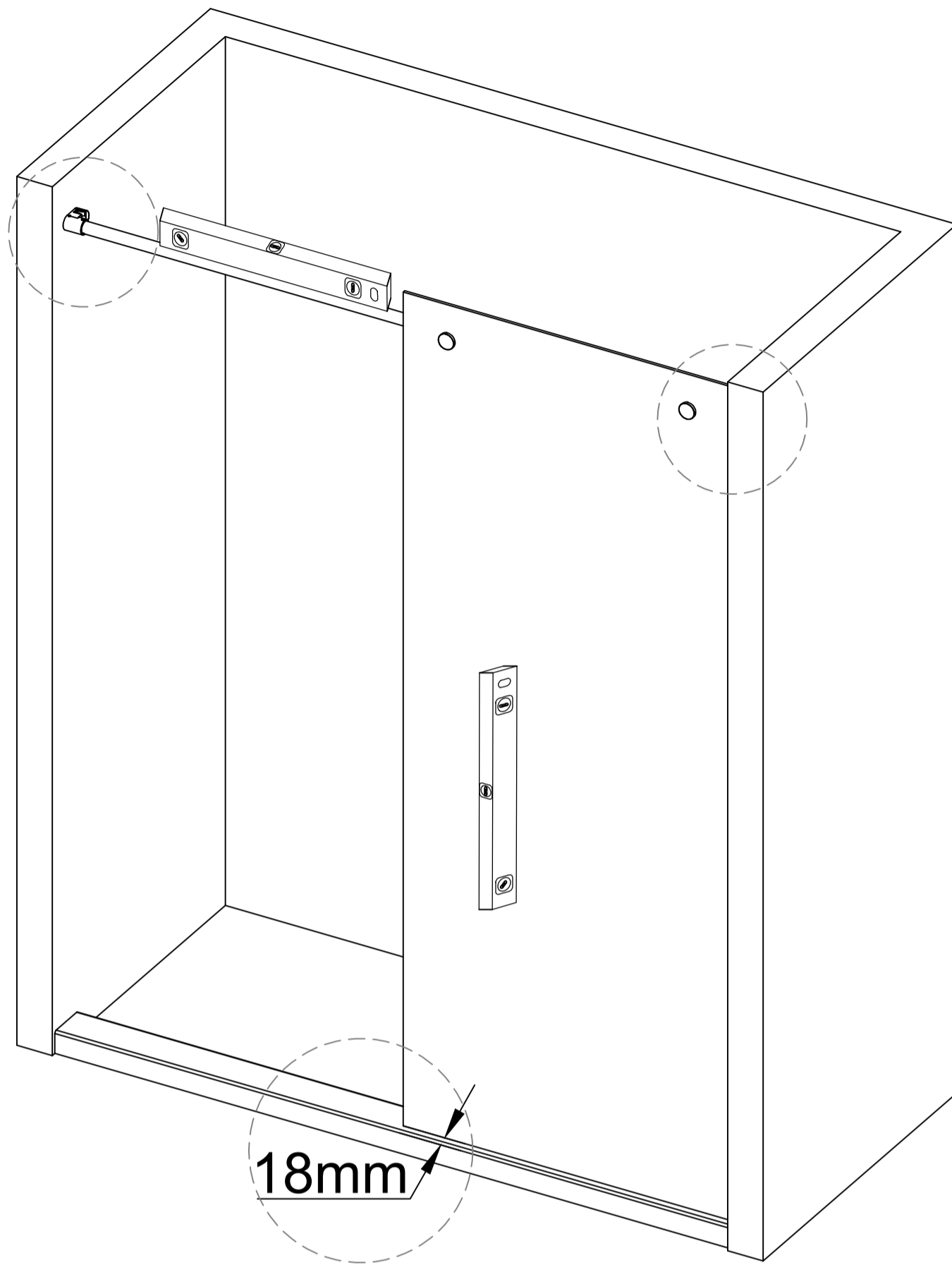


1. Adjust the holes of the fixed panel holder (14) slightly to align with the holes of the fixed panel (1). Tighten the screws at the centered hole positions, hand-tighten the fixed panel holder (14) cover, and secure it further with an Allen wrench (24).

2. Install the side anti-water strip (4) on the side of the fixed panel (1) that will be against the wall.

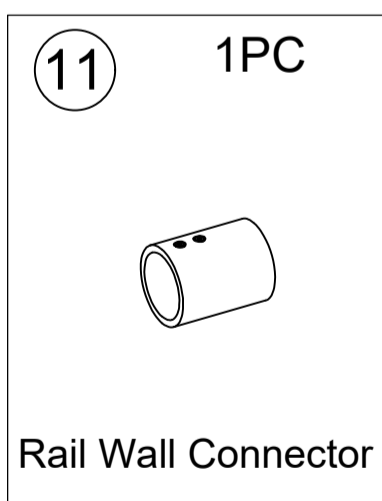


STEP 5 Marking for Rail Wall Connector Installation



Rail Wall Connector

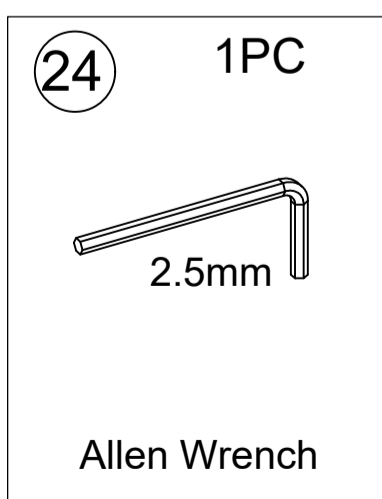
Note: The distance between the fixed glass panel and the outer edge of the stone base should be 18mm.



Rail Wall Connector

1. Align the fixed glass panel (1) with the top rail (7) and ensure it is level.

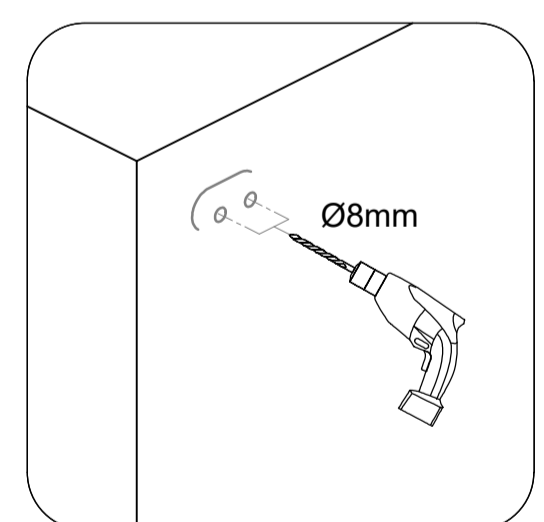
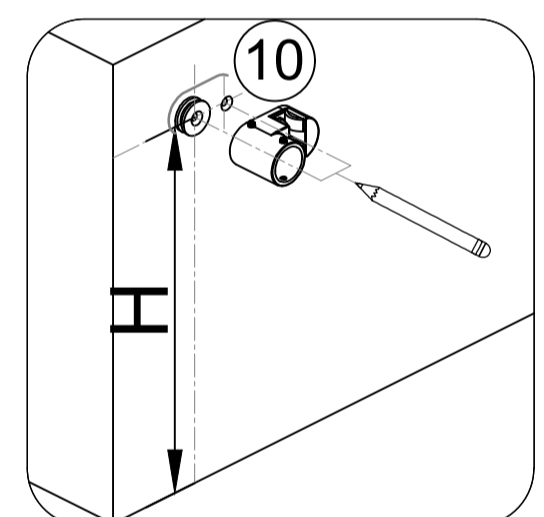
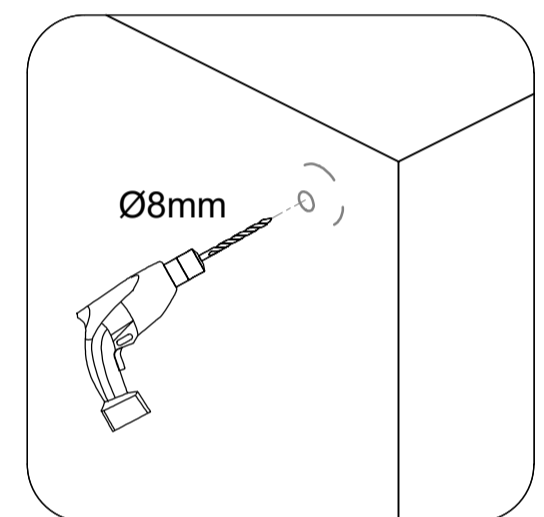
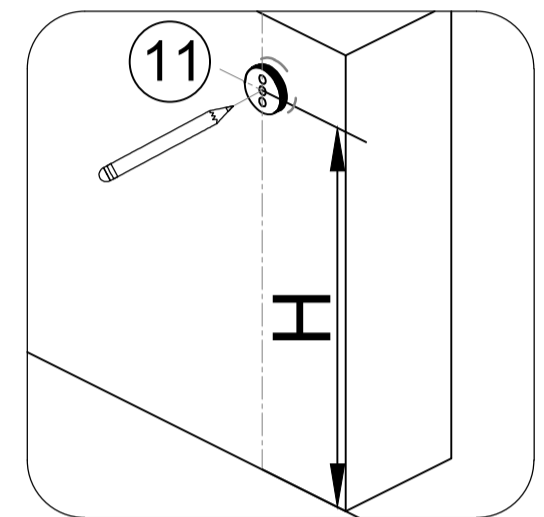
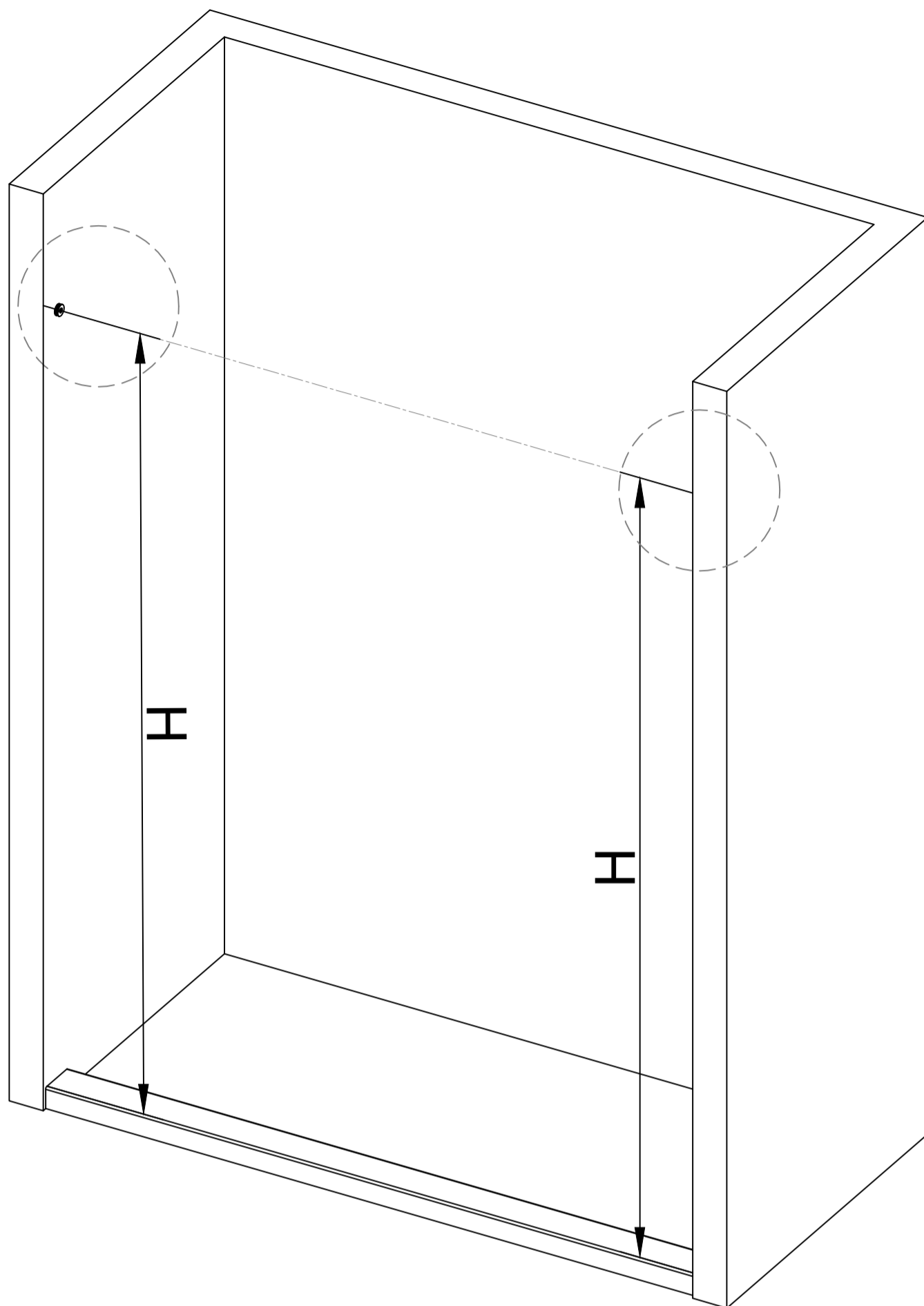
2. Adjust both rail wall connectors (10 and 11), and mark their installation positions.



Allen Wrench

3. Use allen wrench (24) to unscrew the rail wall connectors (10 and 11) from the rail, then loosen the fixing bases on the connectors.

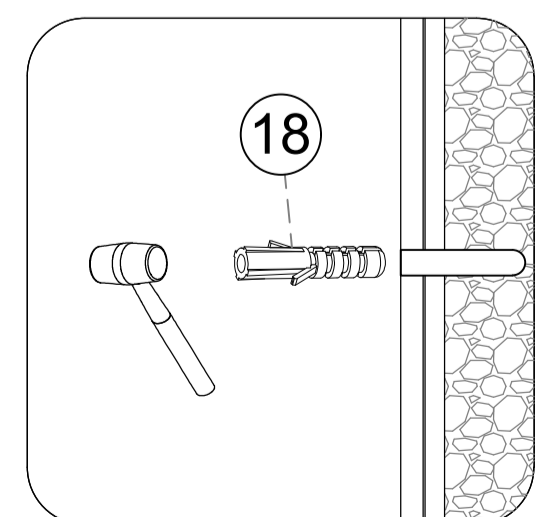
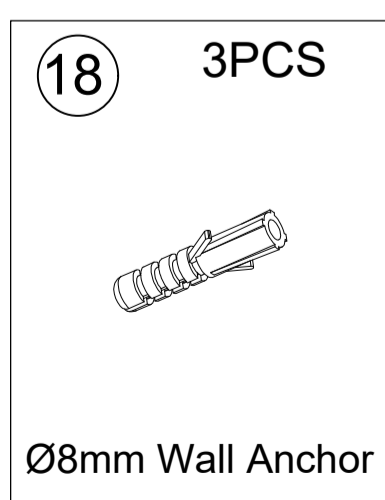
STEP 6 Marking and Drilling for Rail Wall Connectors



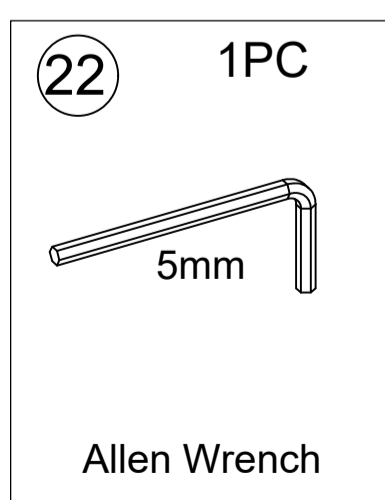
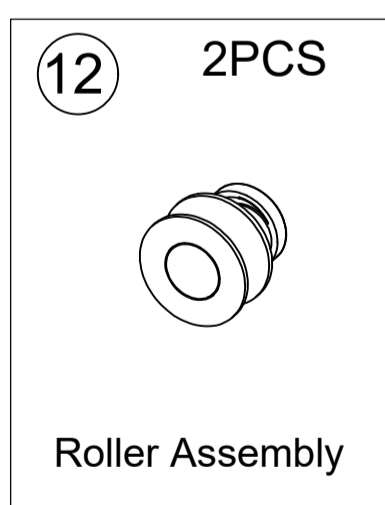
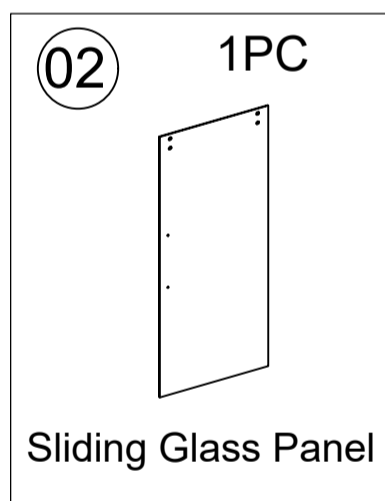
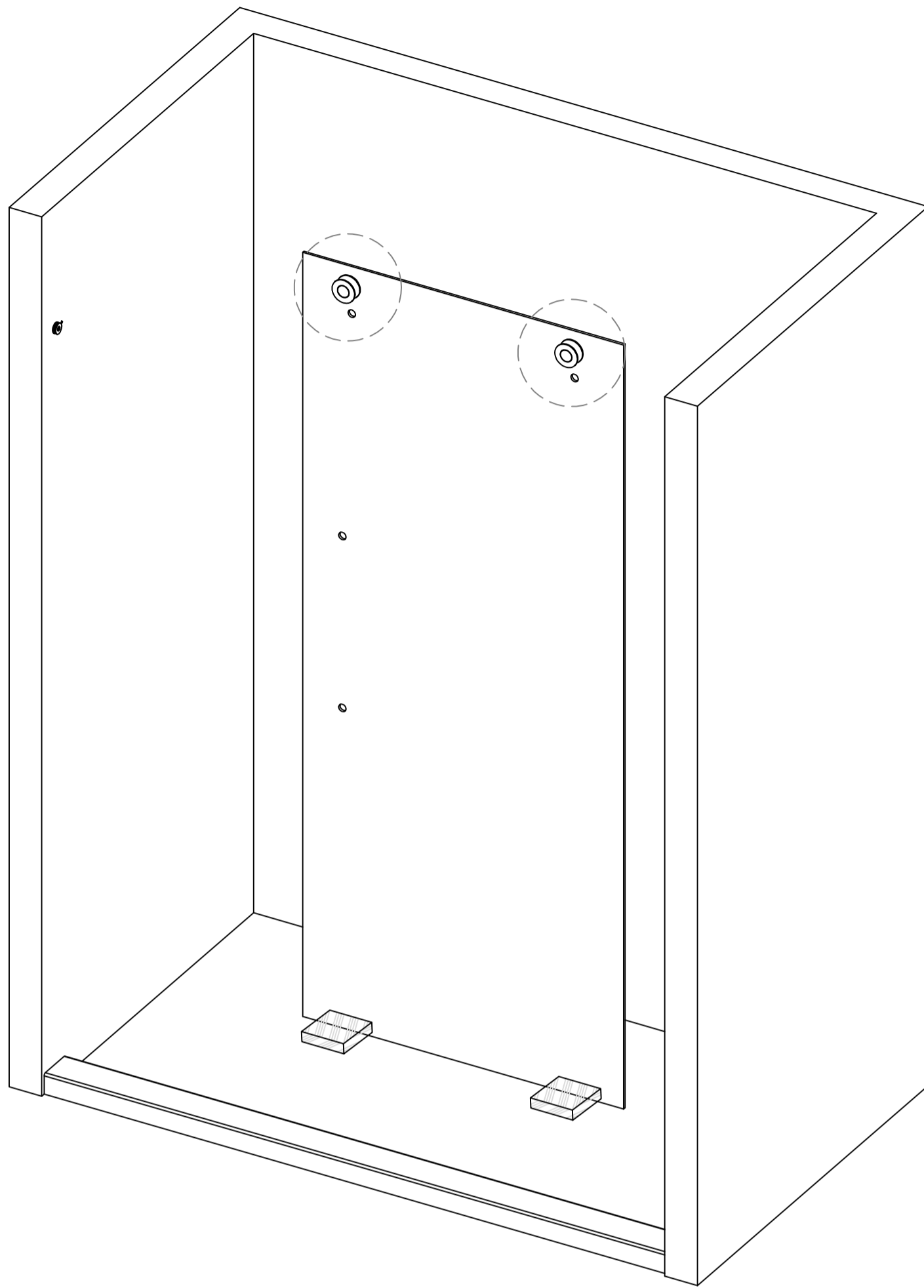
1. Align the fixing base inside rail wall connector (11) with the center of the marked circle, trace the hole positions, and drill.

2. Align rail wall connector (10) with the markings, trace the holes from both the fixing base and the connector itself, measure to ensure both sides are at the same height, and drill.

3. Gently tap the Ø8mm wall anchors (18) into the drilled holes until they are flush with the wall surface.

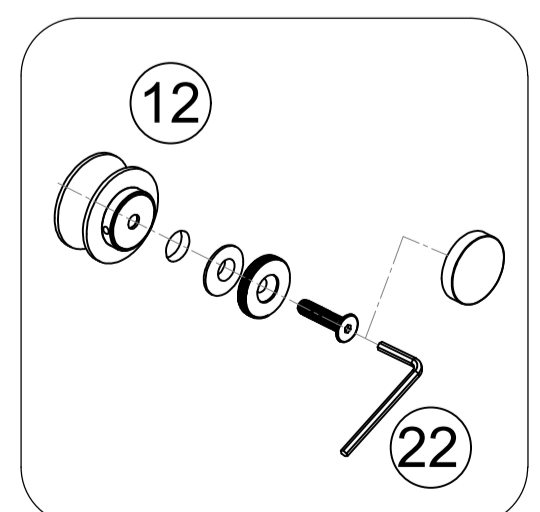
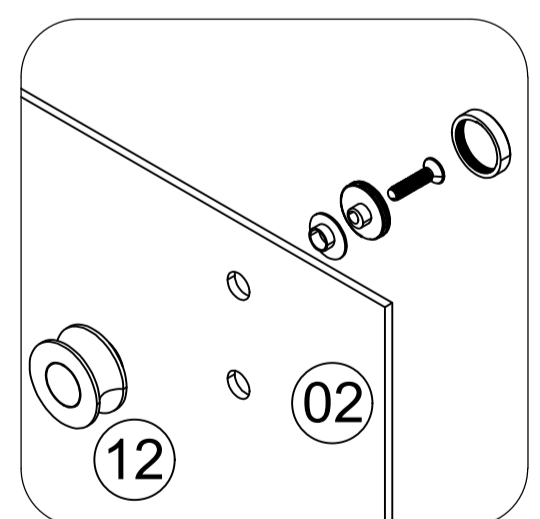
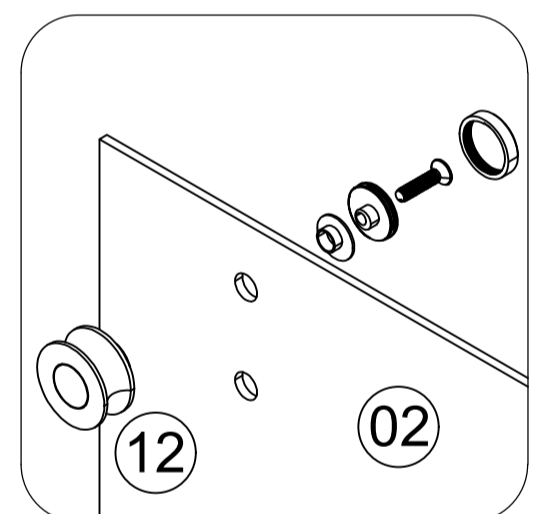


STEP 7 Installation of Sliding Glass Panel and Roller

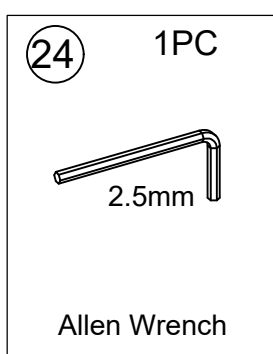
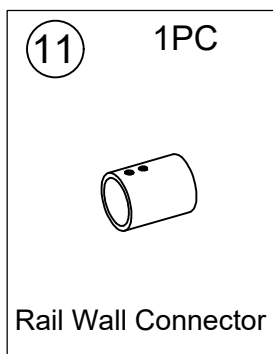
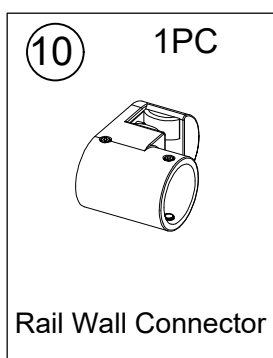
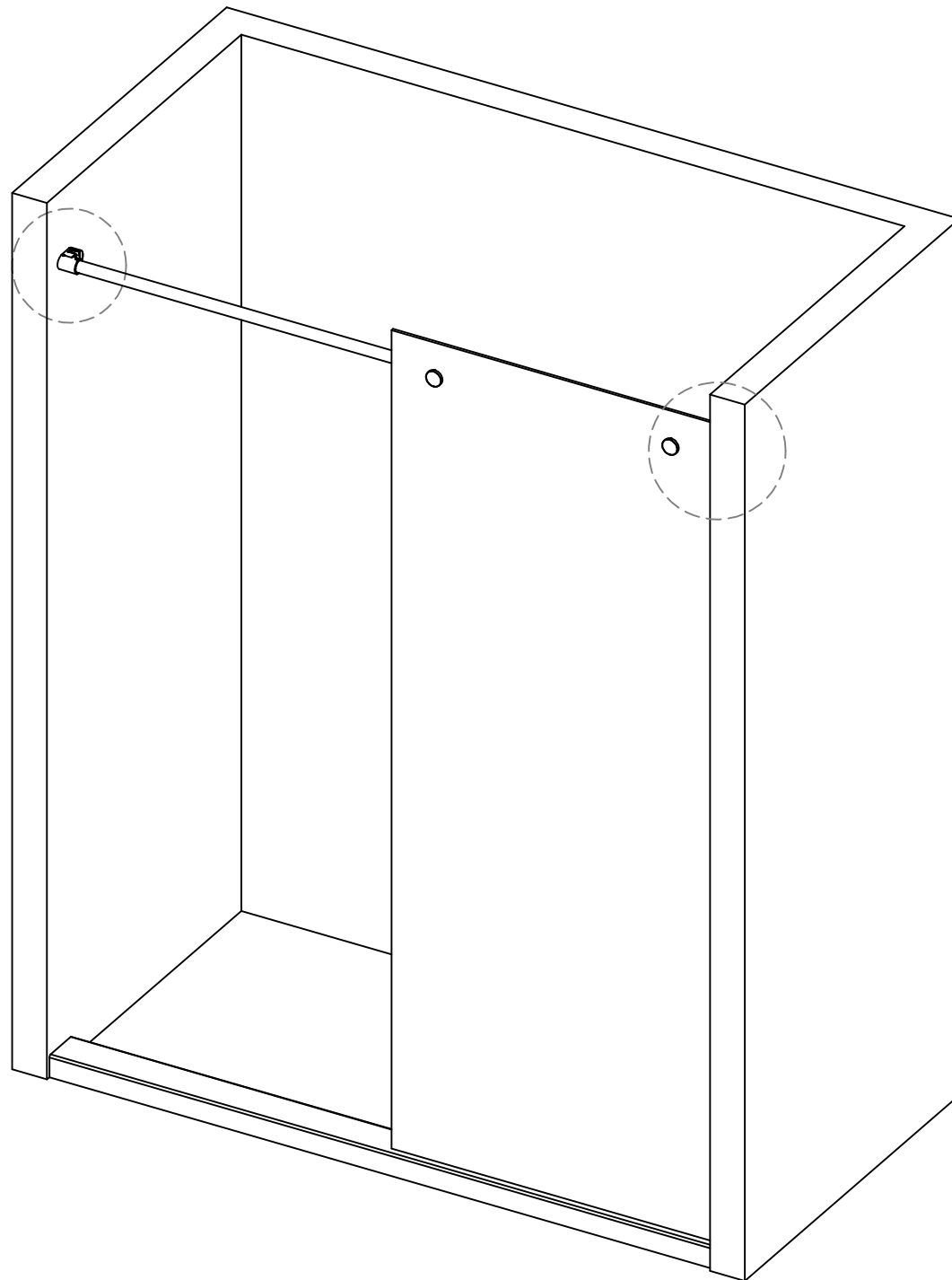


1. The sliding glass panel (2) has an easy-clean coating on both sides. Pay attention to the orientation of the handle cutout. Always place protective blocks under the bottom edge of the glass to prevent chipping or breakage.

2. Use the Allen wrench (22) to install the roller assembly (12) onto the sliding glass panel (2), ensuring the wheels face outward.



STEP 8 Installation of Rail Wall Connectors

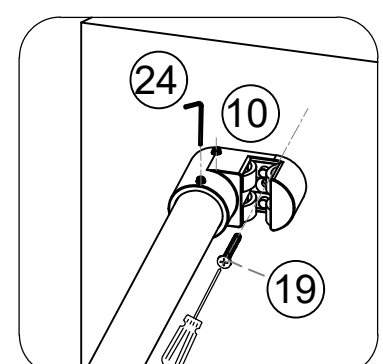
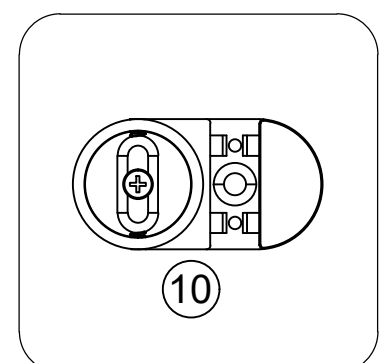
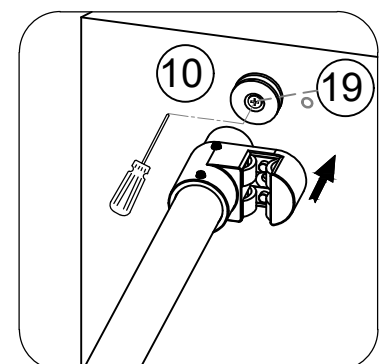
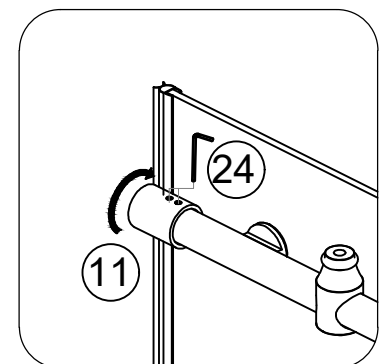
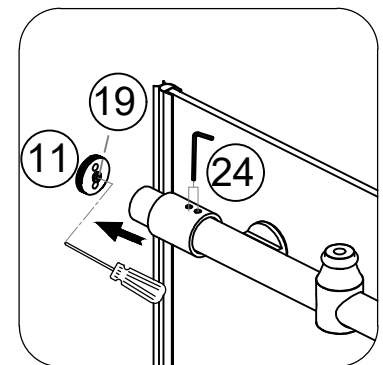


1. Use the ST5x35 self-tapping screws (19) to install the fixing bases inside rail wall connector (10 and 11), then slide the wall connectors onto the rail.

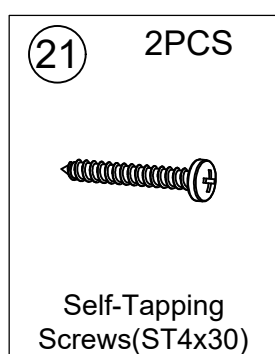
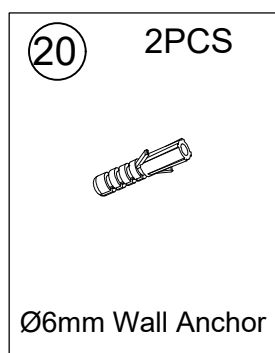
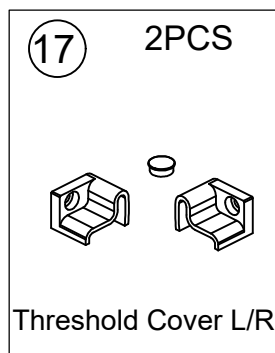
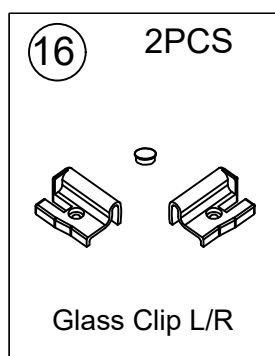
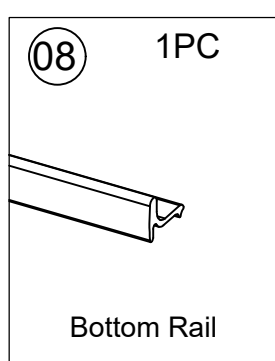
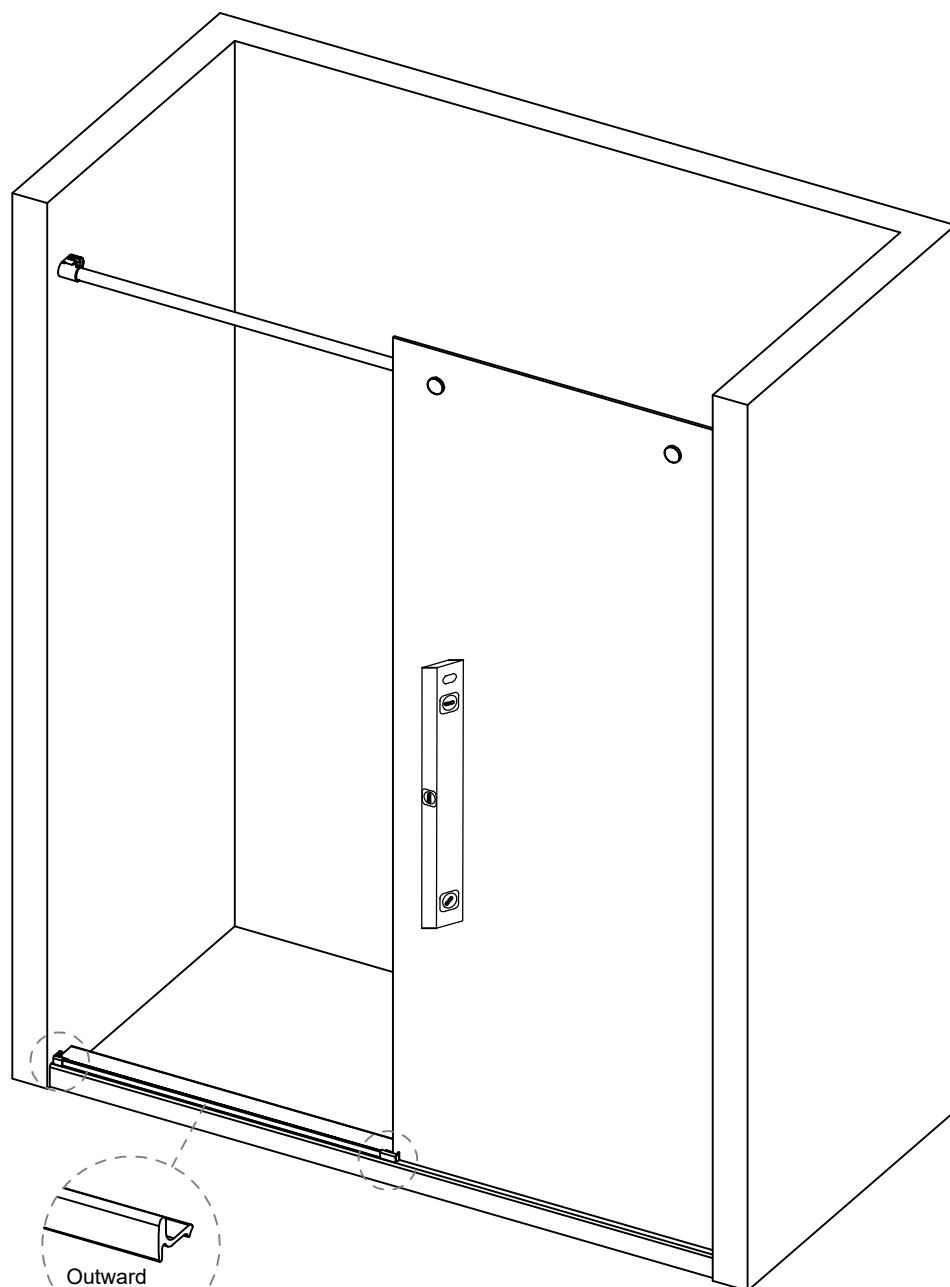
2. Rotate rail wall connector (11) onto its fixing base and secure it using allen wrench (24).

3. Push wall connector (10) manually onto its fixing base, rotate it to the horizontal position, engage the glass groove slot, and secure the wall connector to the fixing base with the screws.

4. Use the ST5x35 self-tapping screws (19) to fasten the screws in the glass groove slot of rail wall connector (10).



STEP 9 Securing the Bottom Rail



Note: Install the bottom rail with the higher side facing outward.

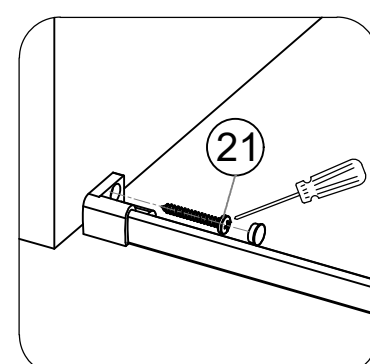
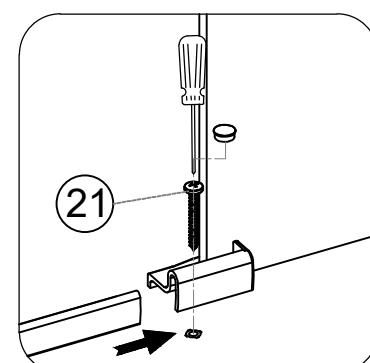
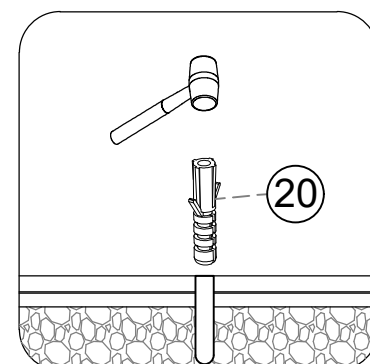
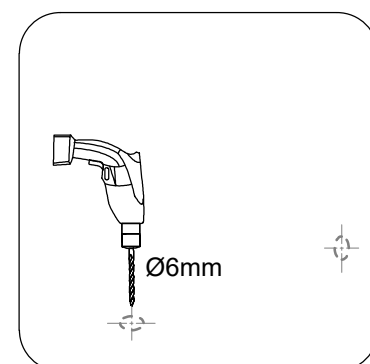
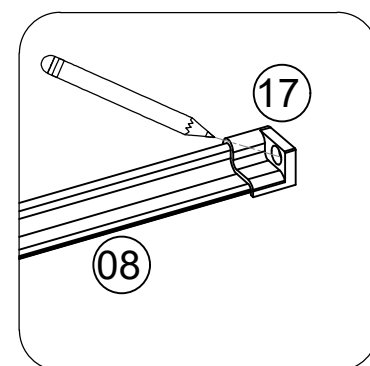
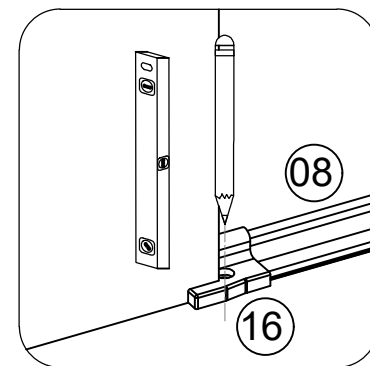
1. Level the fixed glass panel (1). Install the glass clip (16) and the bottom rail (8) onto the fixed glass panel (1), then mark their positions.

2. Install the threshold cover (17) on the opposite end of the bottom rail (8), adjust it to level, and mark its position.

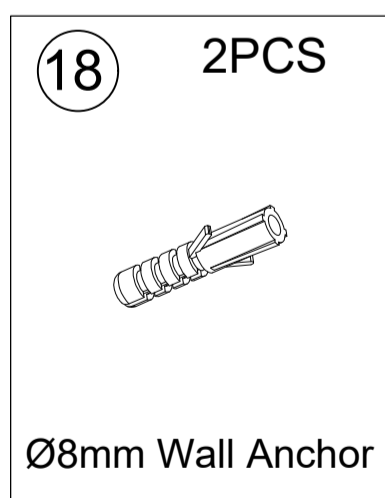
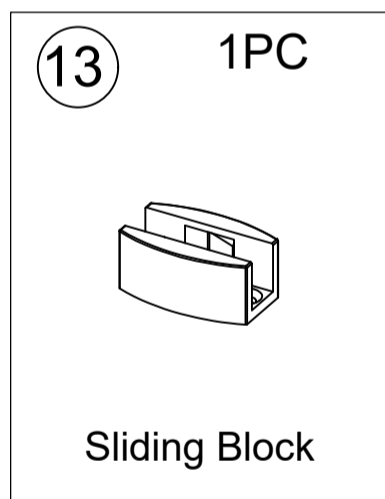
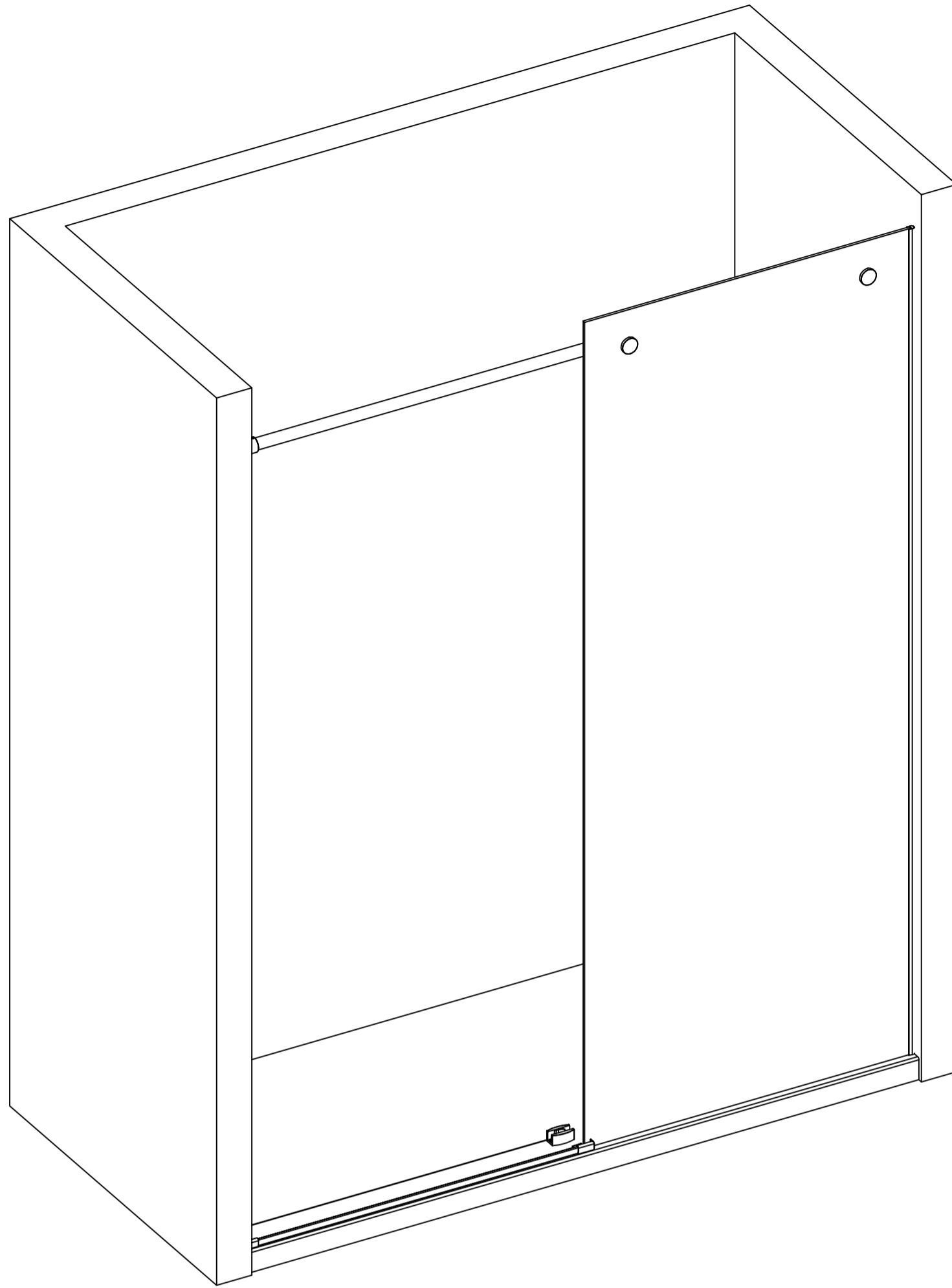
3. Move the fixed glass panel (1) slightly outward, then drill the holes using the electric drill.

4. Gently tap the Ø6mm wall anchors (20) into the drilled holes until they are flush with the wall surface.

5. Adjust the fixed glass panel (1), install the cover (16) and clip (17) on both sides of the bottom rail, then fasten them using ST4x30 self-tapping screws (21), and cover the screws with the caps.



STEP 10 Installation of Sliding Block



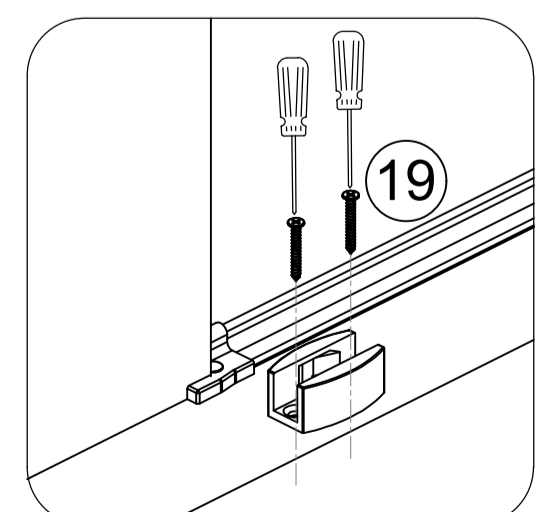
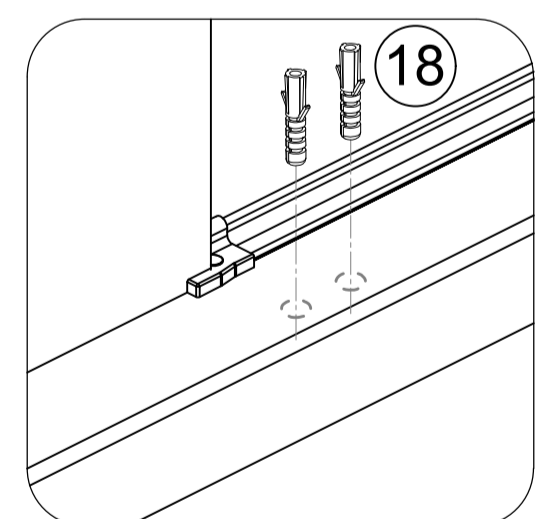
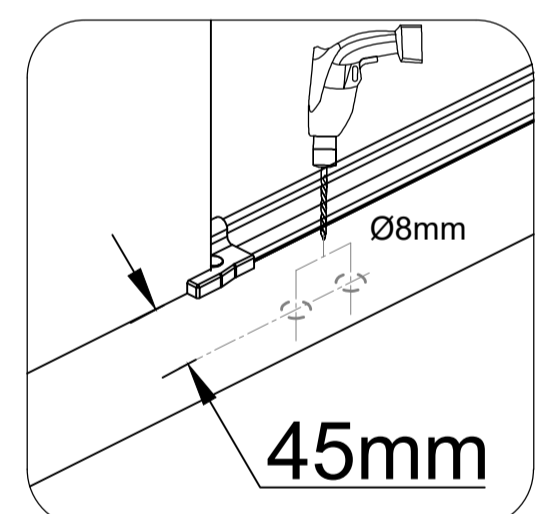
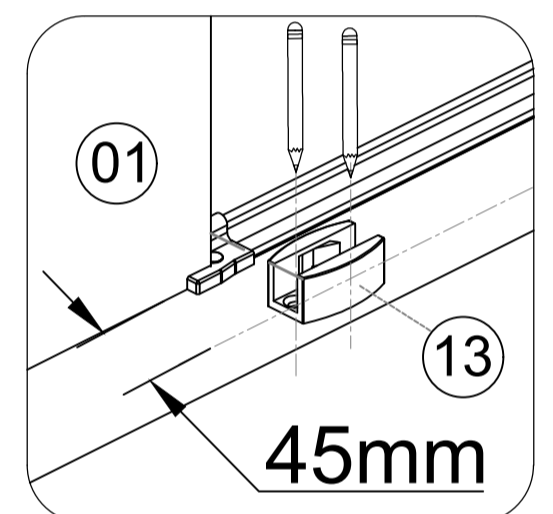
1. Adjust and position the sliding block (13) on top, ensuring its rear edge is flush with the fixed glass panel (1) .

2. Mark the centerline for the guide block at a distance of 45mm inward from the fixed glass panel edge, keeping it parallel to the glass, and then draw the line with a pencil.

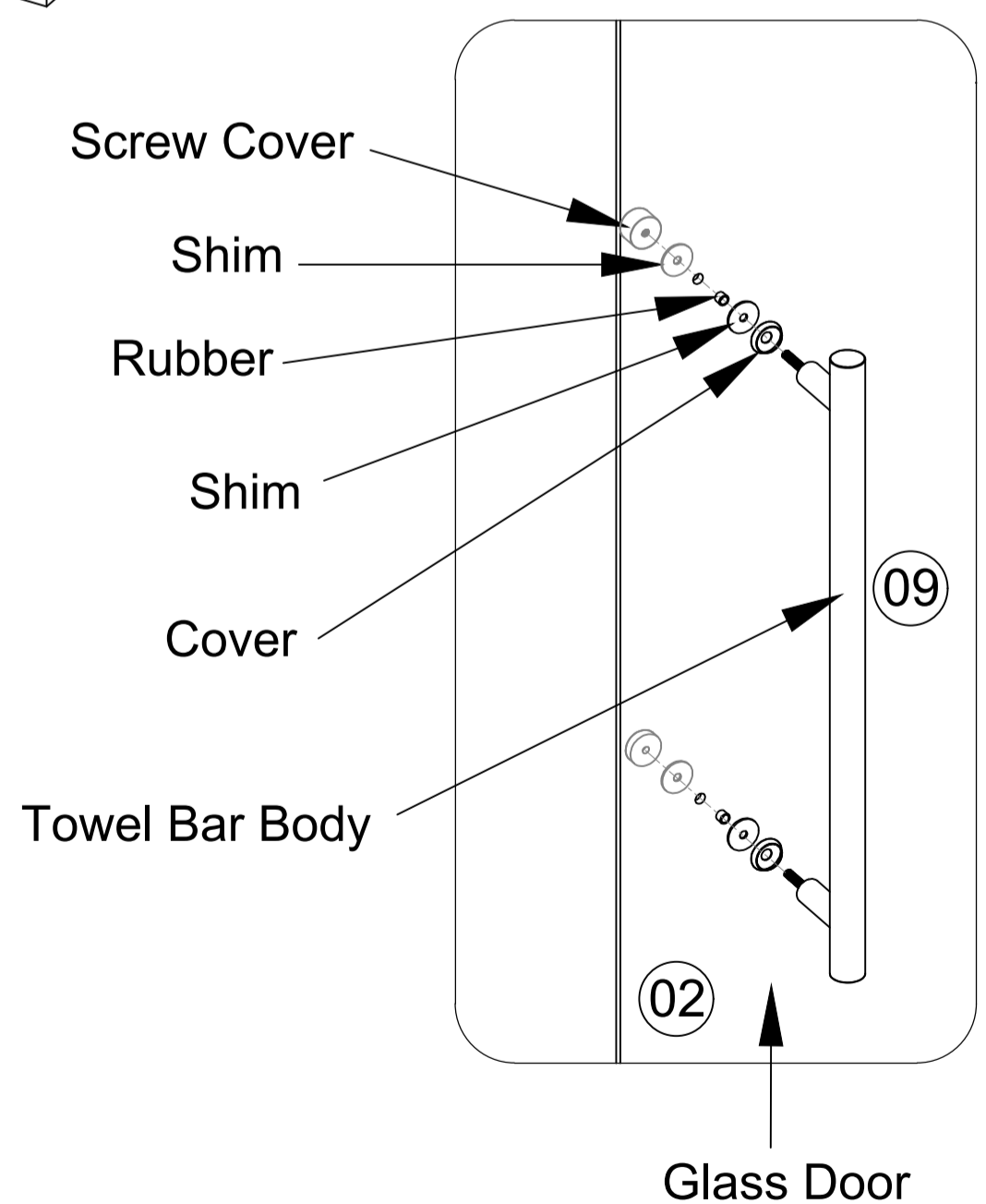
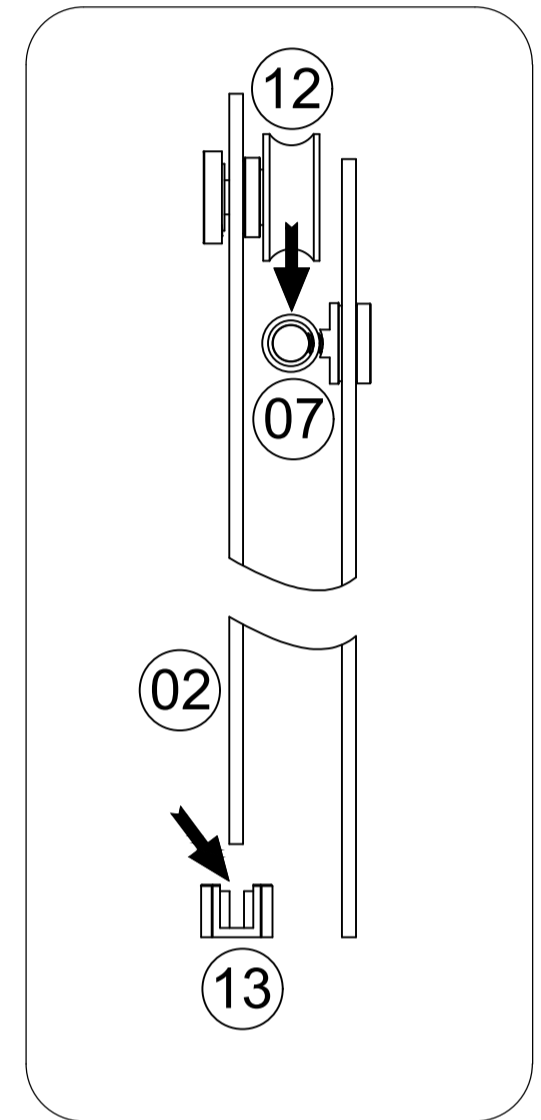
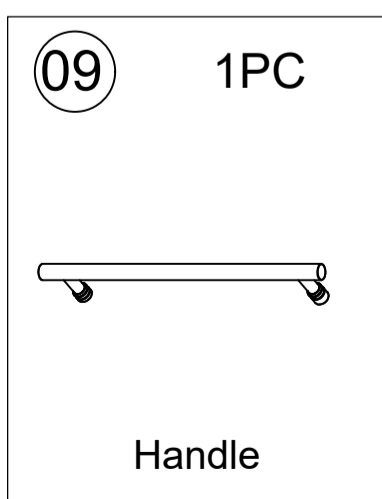
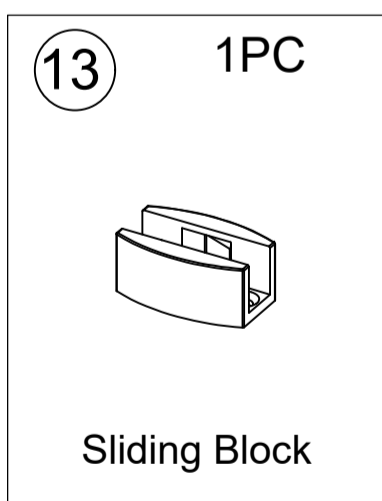
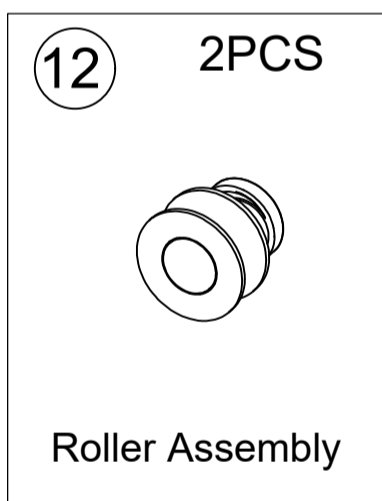
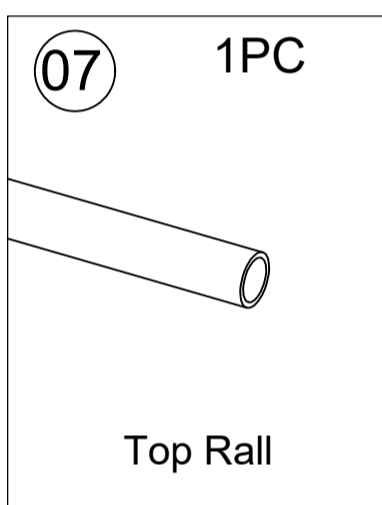
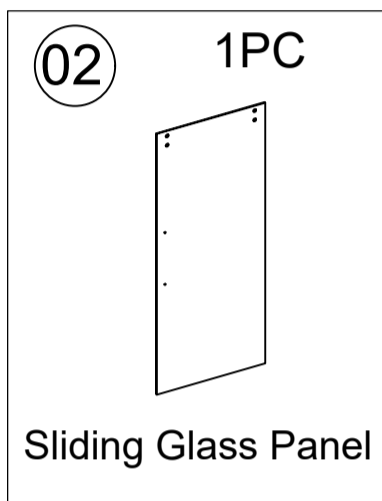
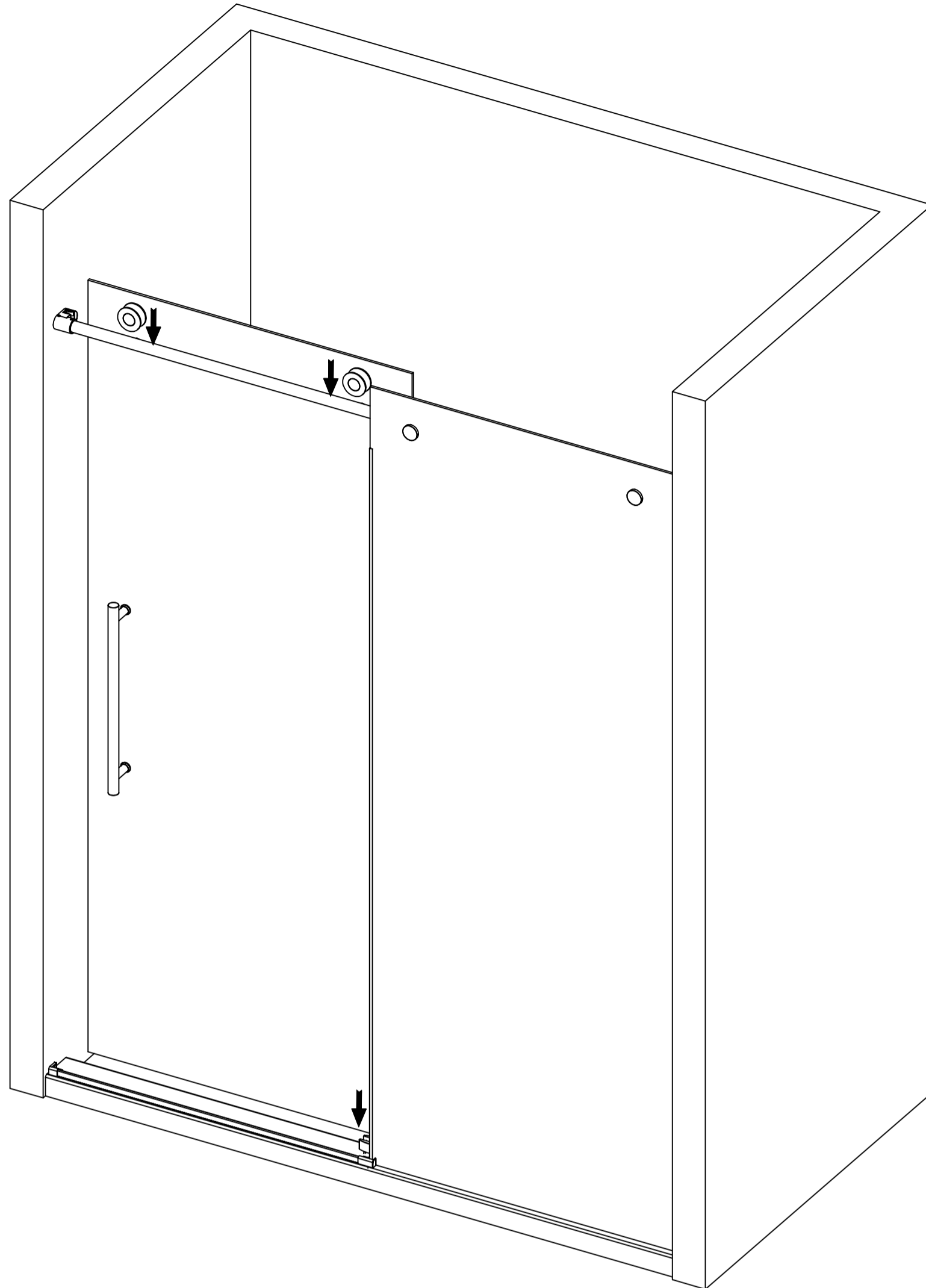
3. Drill holes using an Ø8mm drill bit.

4. Install the $\varnothing 8\text{mm}$ wall anchor (18).

5. Secure the sliding block (13) with ST5x35 self-tapping screws (19).



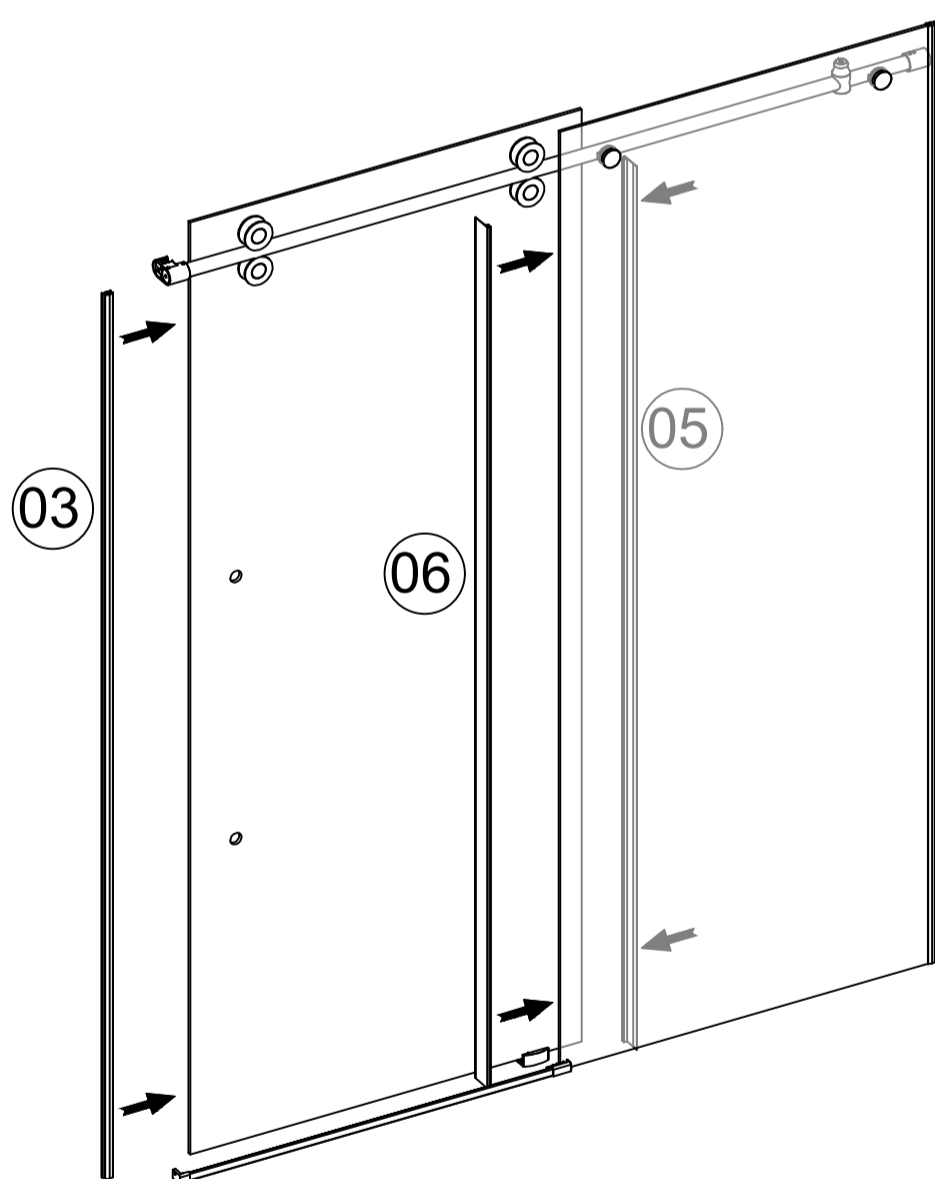
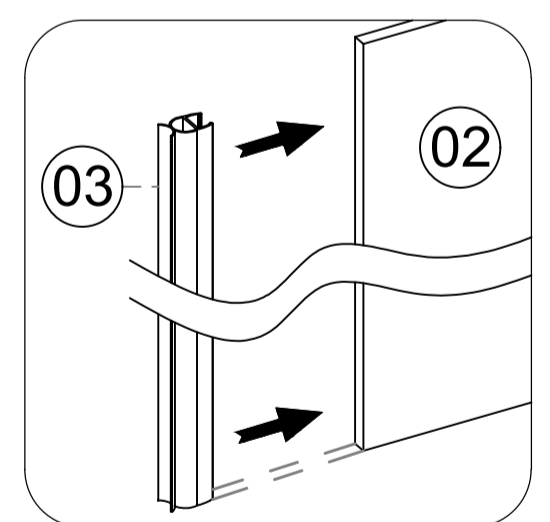
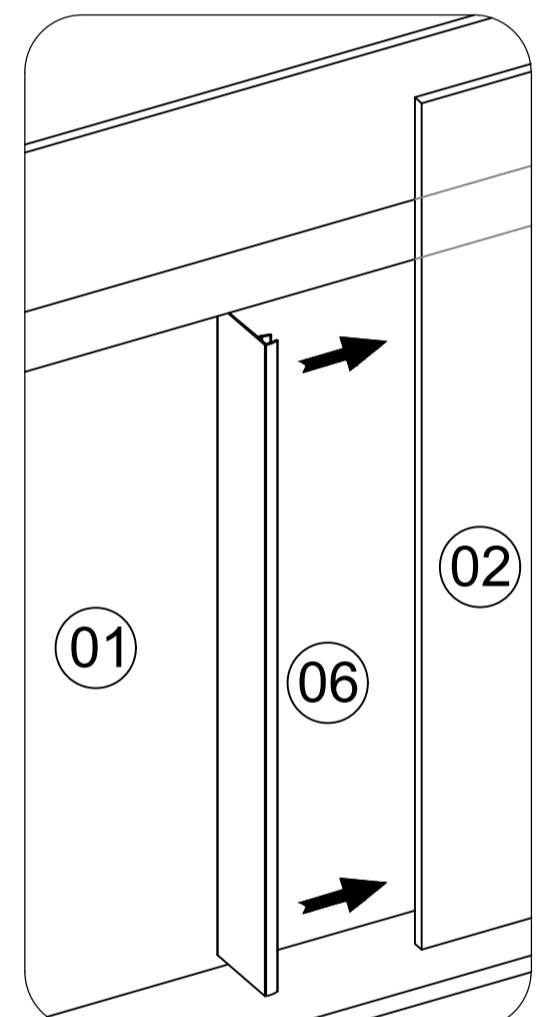
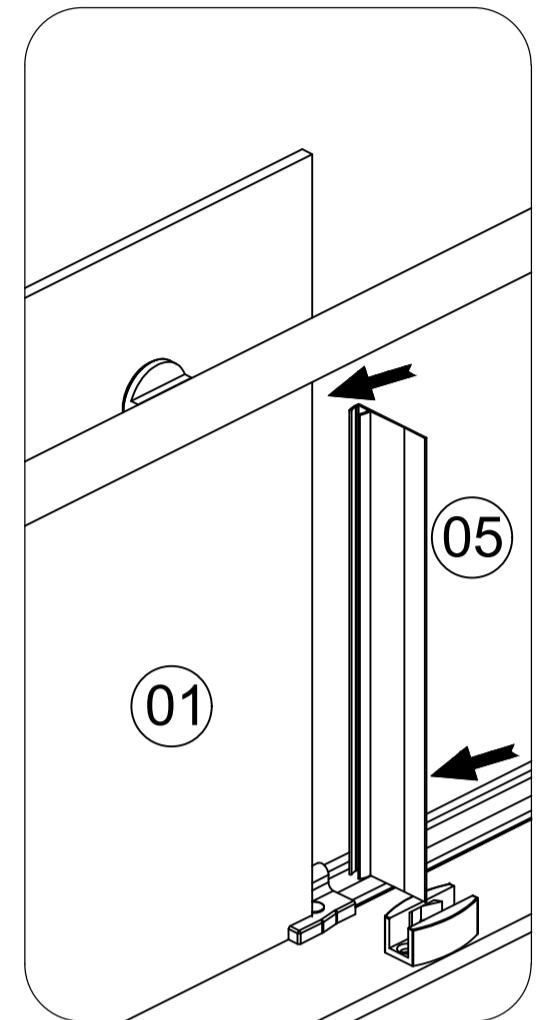
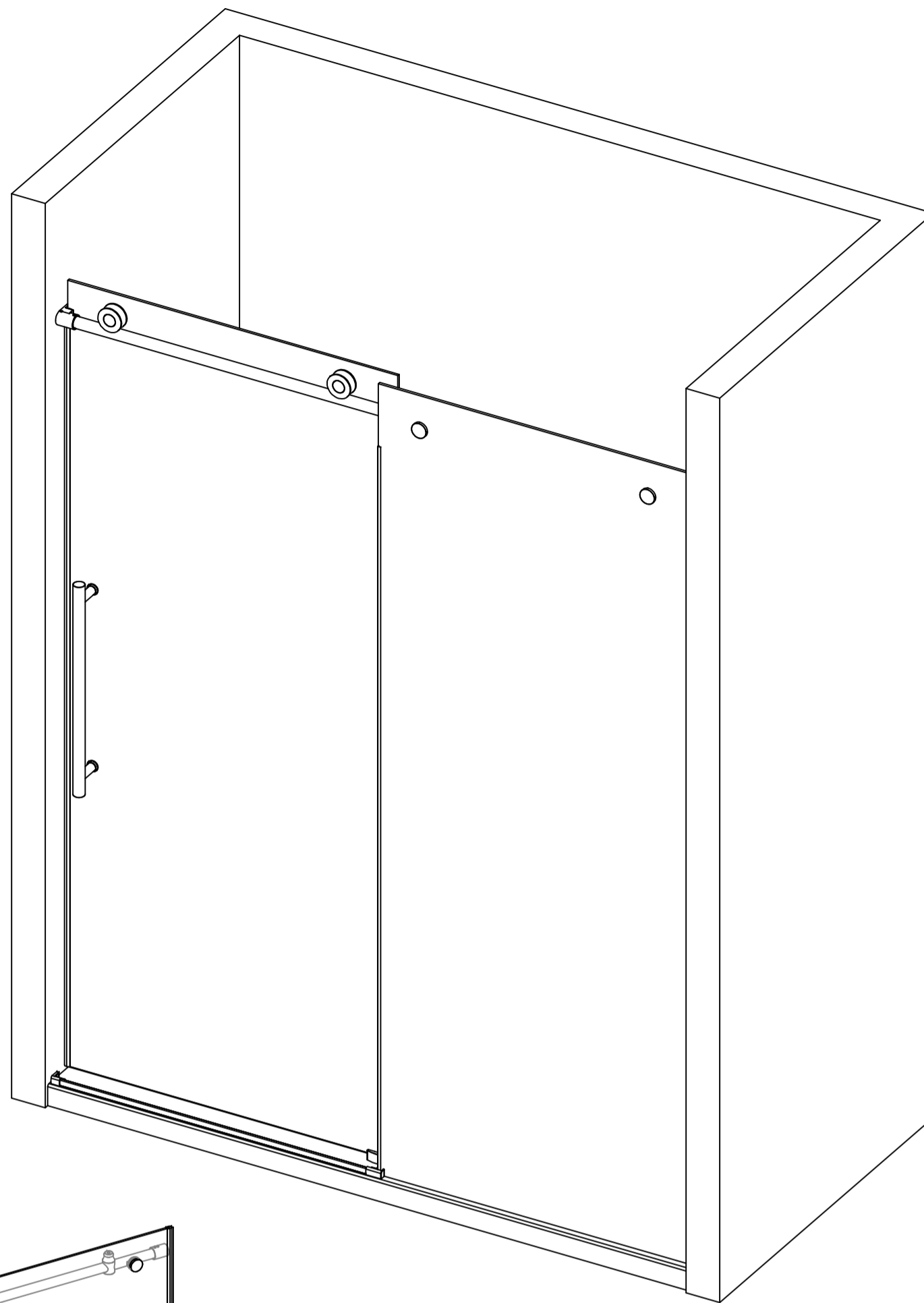
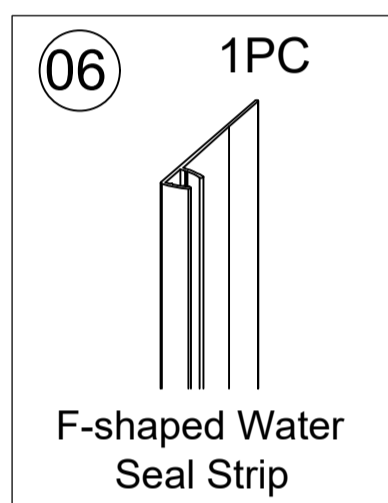
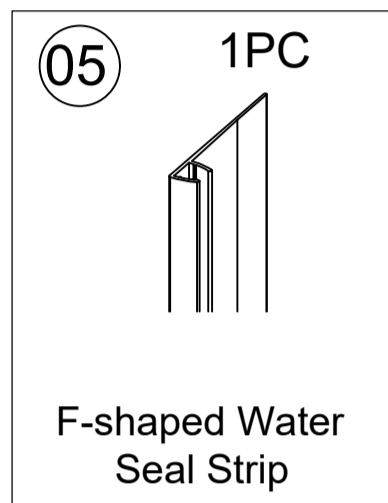
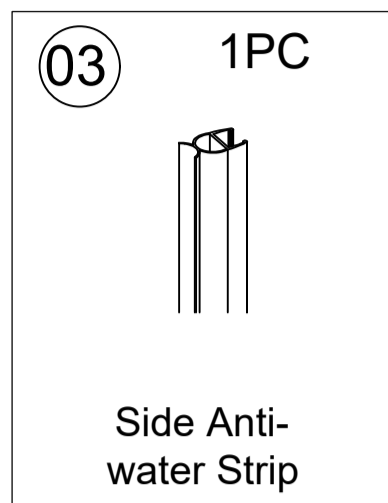
STEP 11 Installation of Sliding Door and Handle



1. Engage the rollers of the sliding door panel (2) with the top rail (7), ensuring the bottom of the glass is properly seated in the guide block groove.

2. Position the handle assembly (9) on the sliding door panel (2). Tighten the handle nuts from inside the shower.

STEP 12 Installation of Side Anti-water Strip and F-shaped Water Seal Strips



1. Install the shorter F-shaped water seal strip (5) onto the fixed glass panel (1). Note: The bottom edge should adhere to the bottom glass clip (16), with the water-retaining lip facing inward.

2. Install the longer F-shaped water seal strip (6) onto the sliding door panel (2). Note: The water-retaining lip should face outward.

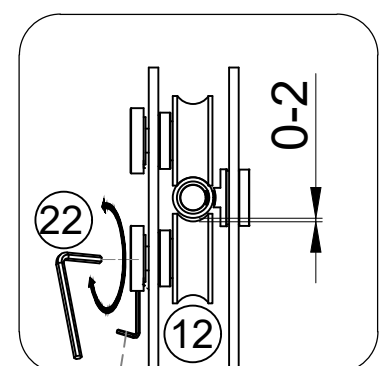
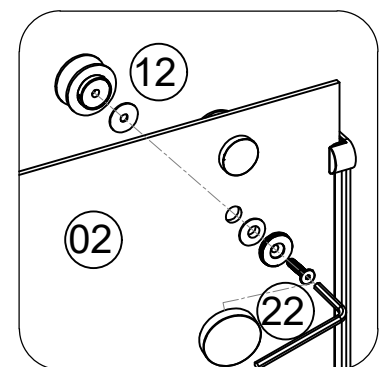
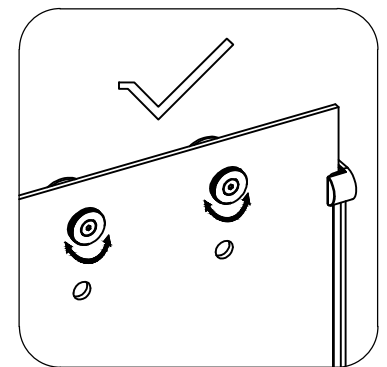
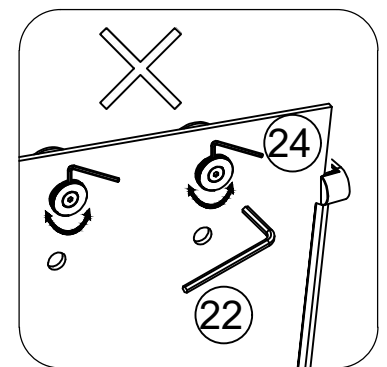
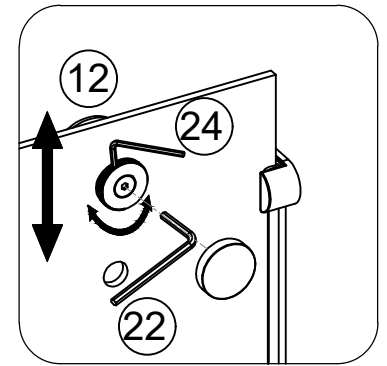
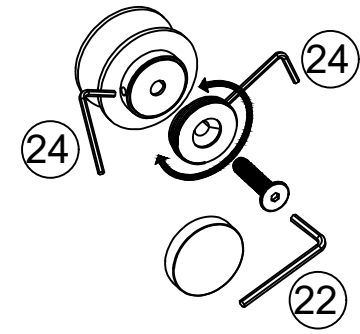
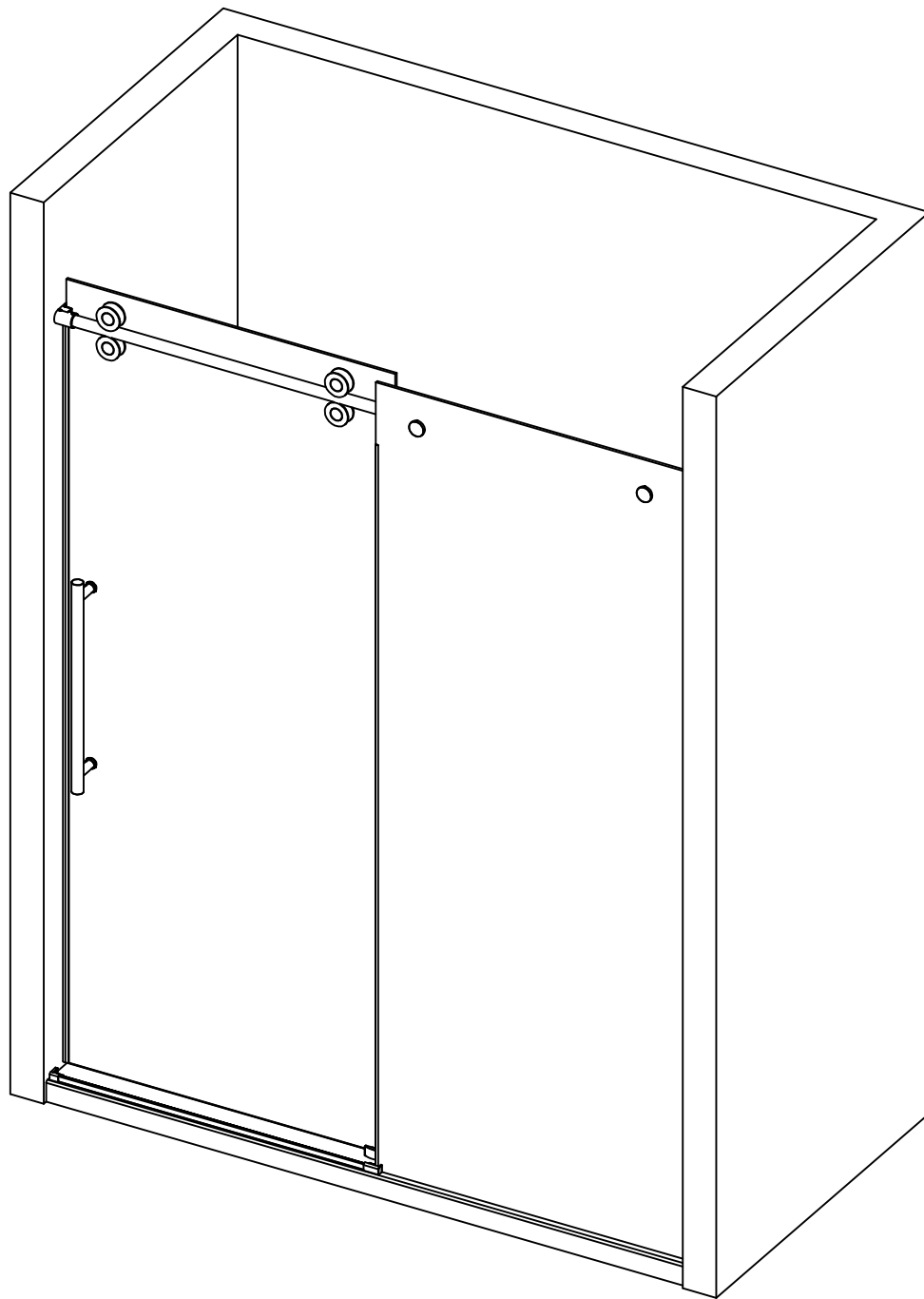
3. Install the side anti-water strip (3) onto the sliding door panel (2) (on the side facing the wall).

STEP 13 Installation and Adjustment of Rollers

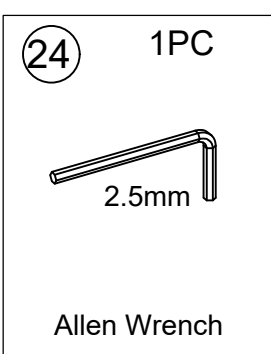
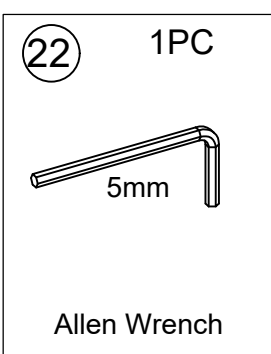
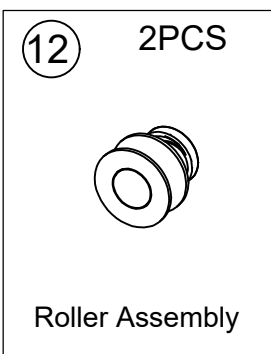


Highest Point of Glass

Lowest Point of Glass



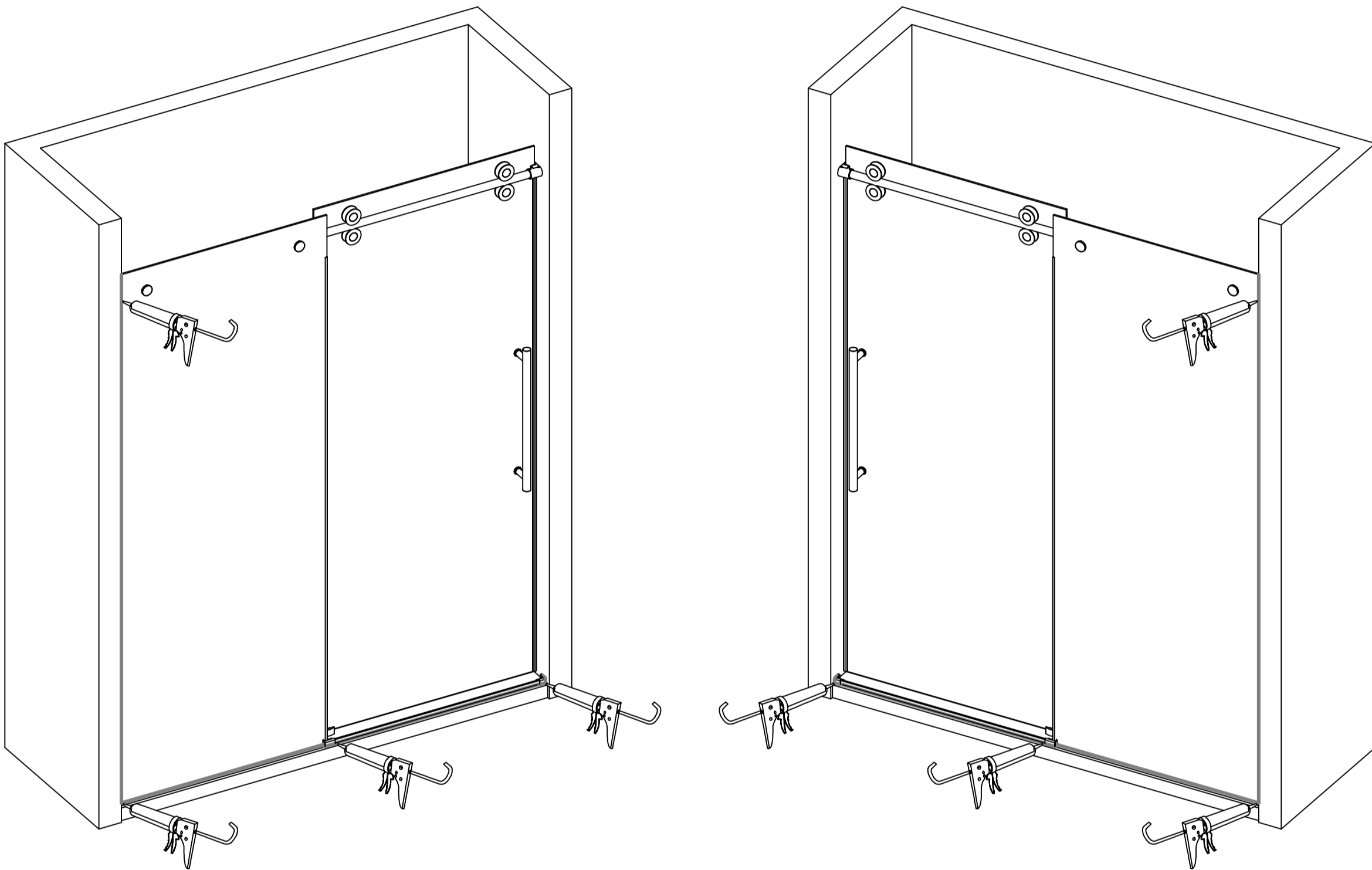
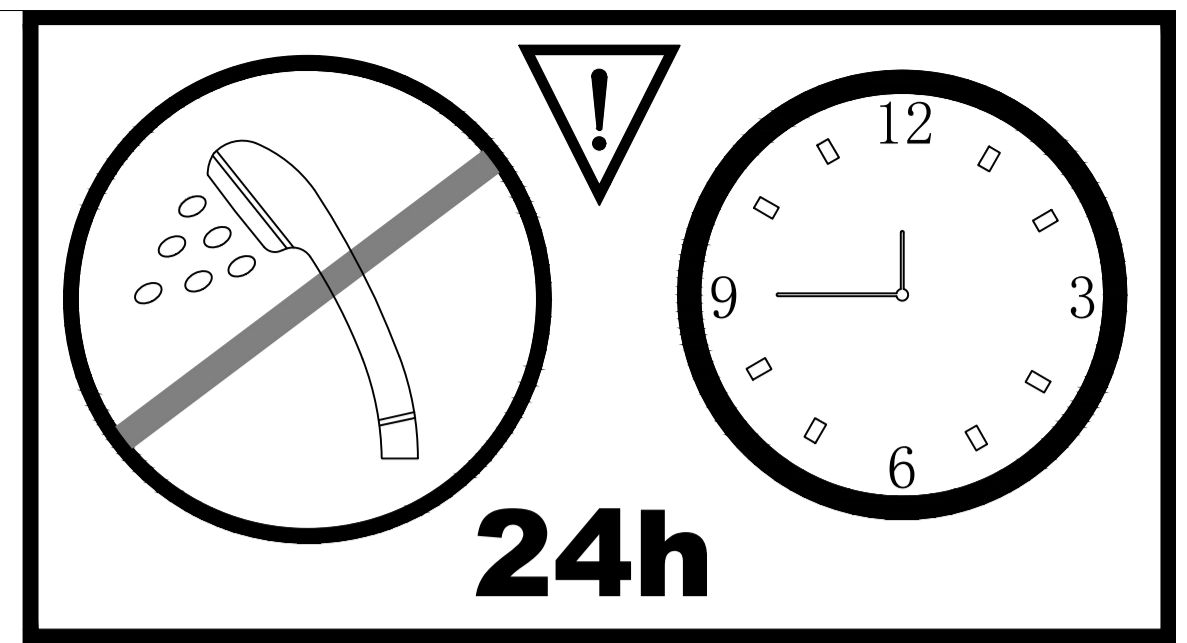
0-2



1. Adjust the rollers on the sliding door (Note: ensure the sliding glass panel is perpendicular to the wall surface, and the waterproof seal is firmly attached to the wall without gaps).

2. Install the bottom rollers and adjust the gap between the rollers and the track (a clearance of 0-2 mm is acceptable).

STEP 14 Applying the Silicone



Caution: Apply clear silicone sealant along all interior wall and floor joints of the shower enclosure, including the fixed glass panel and bottom threshold.