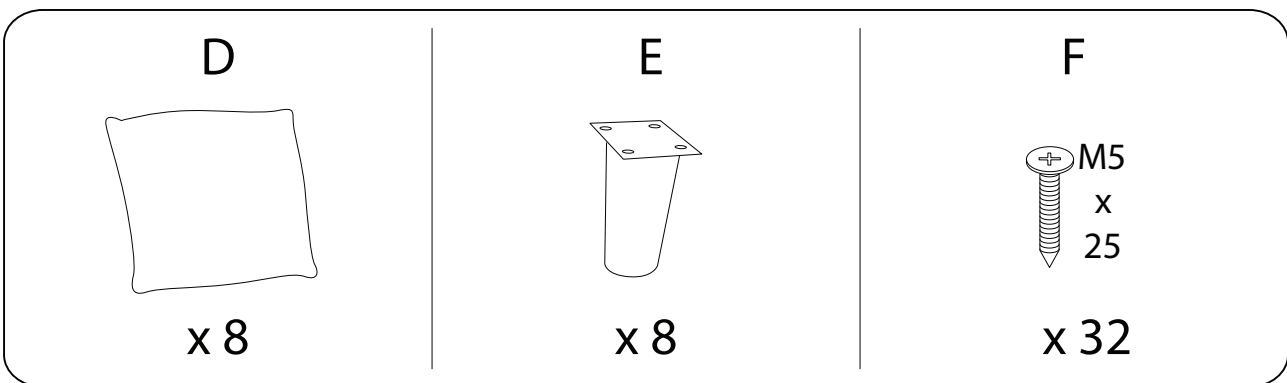
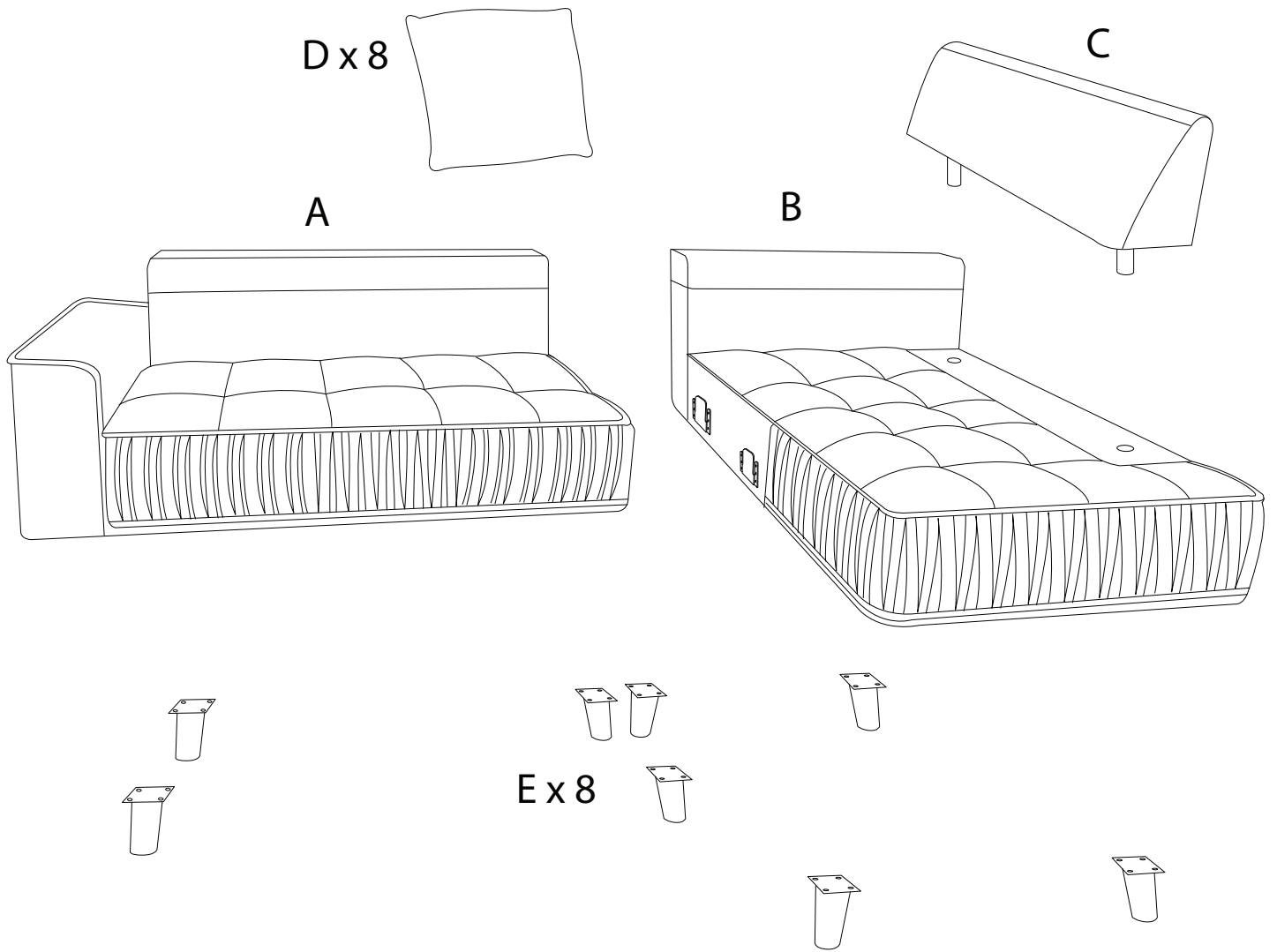
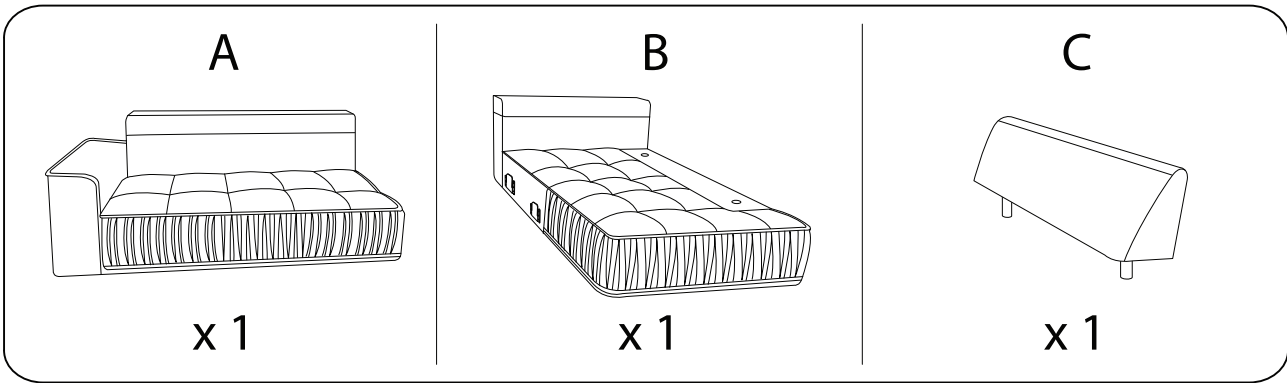
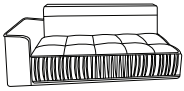
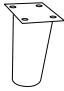
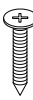


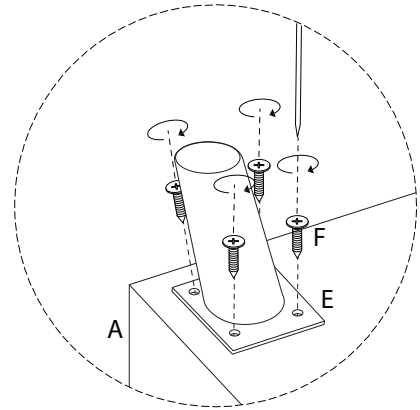
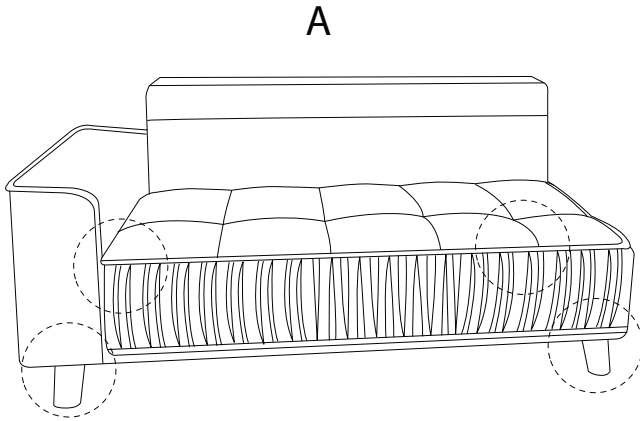
Assembly instructions for step 1/5:

- Tools:** A screwdriver is shown as the required tool. A power drill is shown with a diagonal line through it, indicating it is not to be used.
- Warning:** A warning triangle with an exclamation mark is positioned to the right of the tool icons.
- Time:** A clock icon is shown, with the text "60'" below it, indicating a 60-minute assembly time.
- Personnel:** A person icon is shown, with the text "2" below it, indicating that two people are required for assembly.

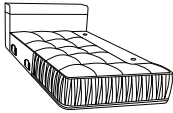
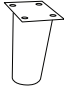
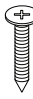


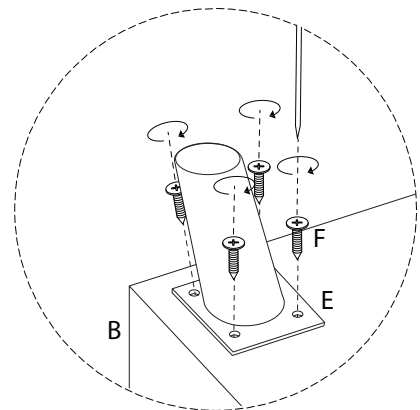
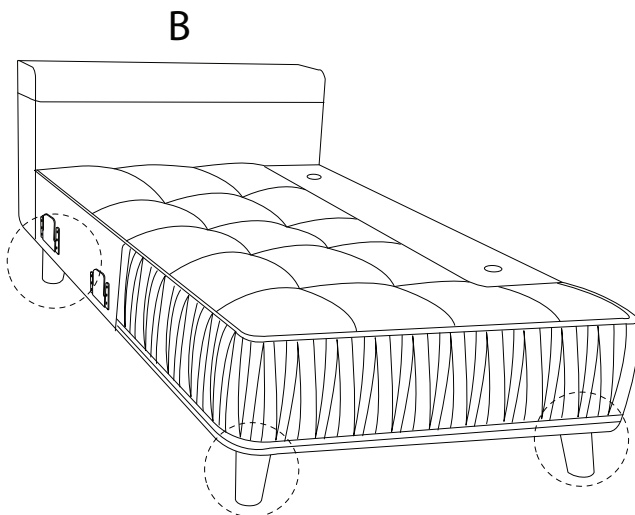
1

A  x 1	E  x 4	F  M5 x 25 x 16
--	--	---

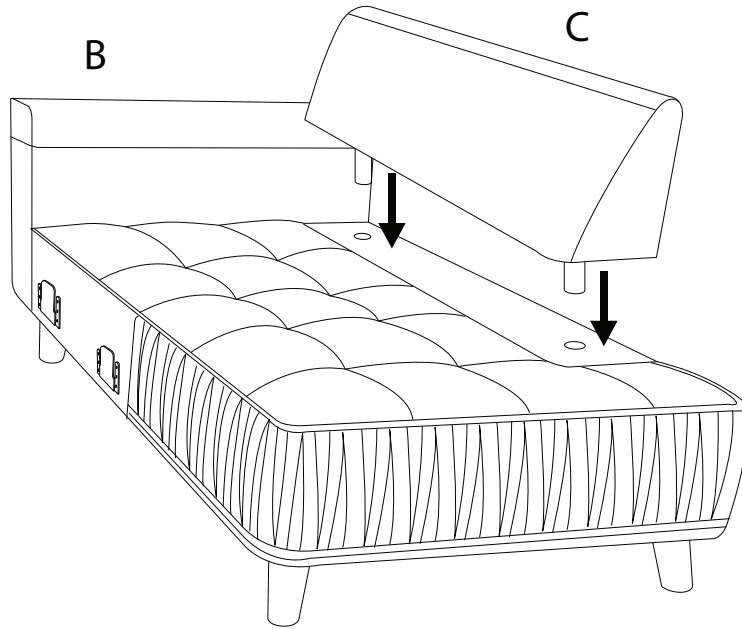
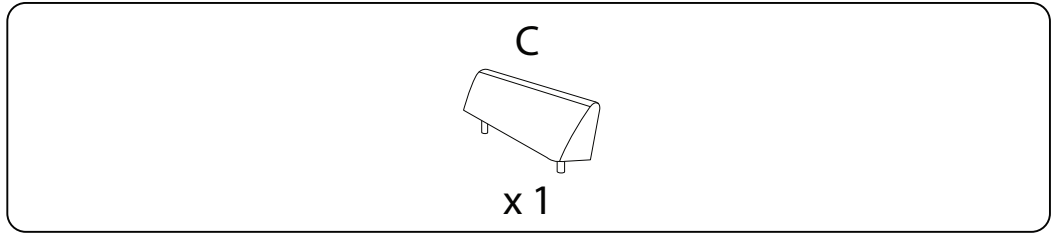


2

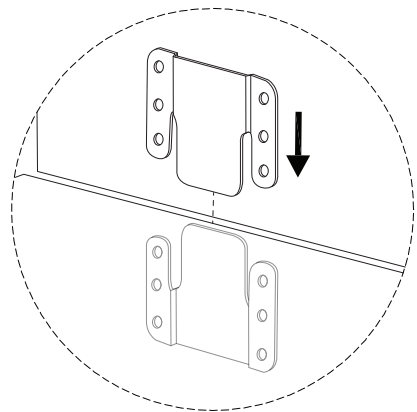
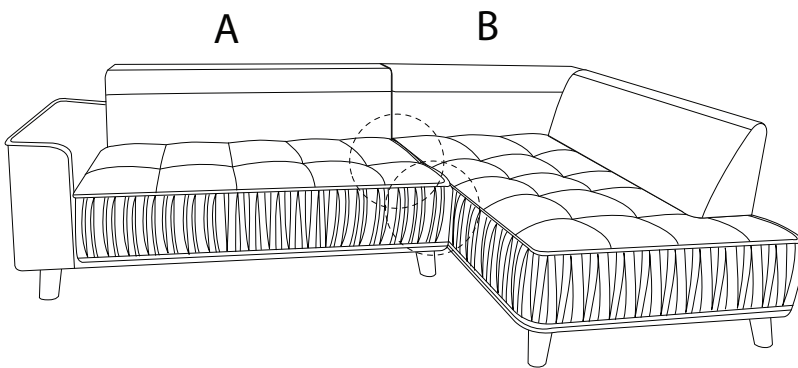
B  x 1	E  x 8	F  M5 x 25 x 16
--	--	---



3



4



5

