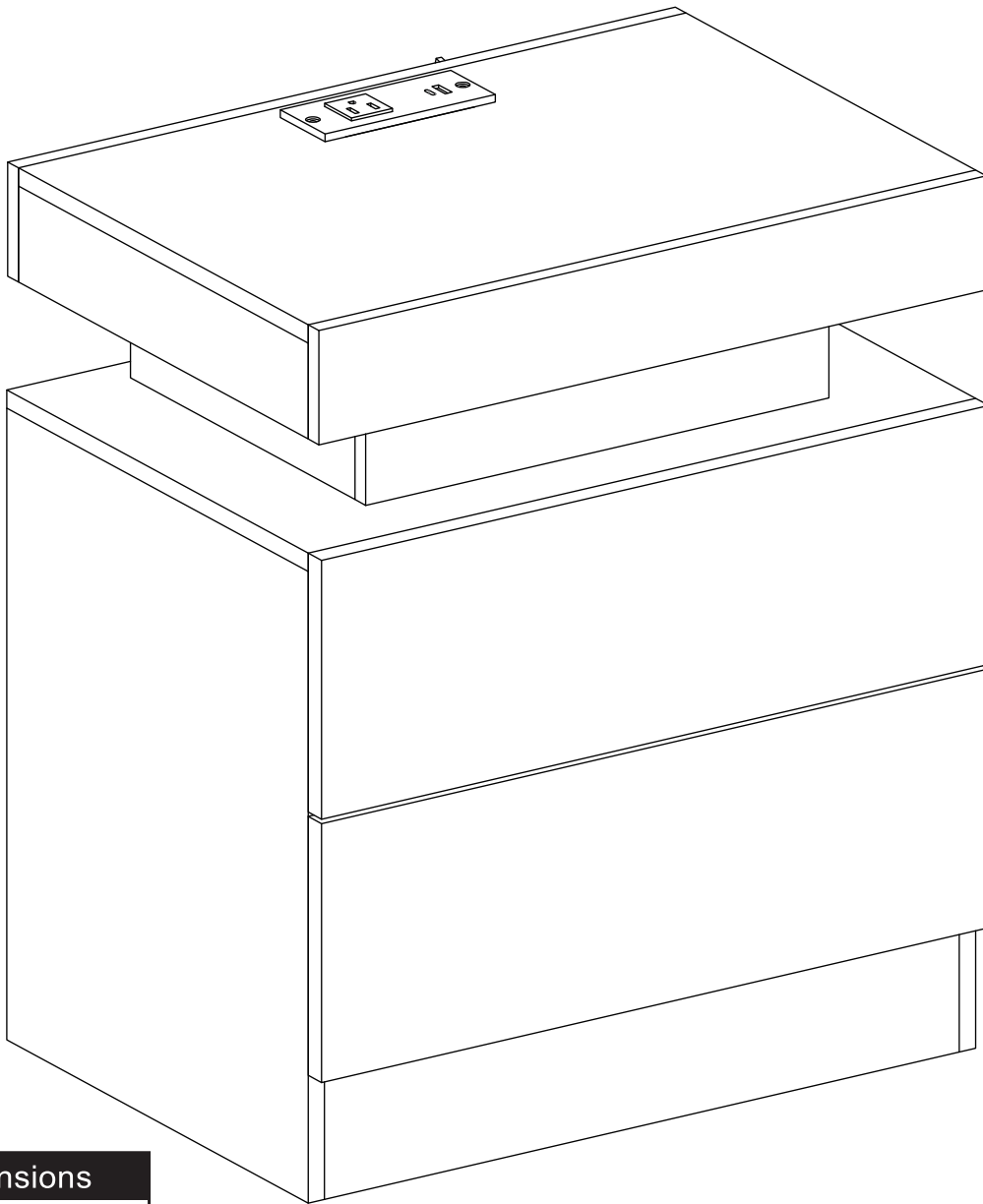


Side Table



Dimensions

Width - 39 inch

Depth - 17 inch

Height - 9 inch

Important – Please read these instructions fully before starting assembly



Safety and Care Advice

Important – Please read these instructions fully before starting assembly

- Check you have all the components and tools listed on the following pages.
- Remove all fittings from the plastic bags and separate them into their groups.
- Keep children and animals away from the work area, small parts could choke if swallowed.
- Make sure you have enough space to layout the parts before starting.

- During assembly do not stand or put weight on the product, this could cause damage.
- Assemble the item as close to its final position (in the same room) as possible.
- Assemble on a soft level surface to avoid damaging the unit or your floor.
- Parts of the assembly will be easier with 2 people.



- To reduce the likelihood of damaging your product please ensure that your power drill is set on a low torque setting.

Care and maintenance

- Only clean using a damp cloth and mild detergent, do not use bleach or abrasive cleaners.
- From time to time check that there are no loose screws on this unit.
- This product should not be discarded with household waste. Take to your local authority waste disposal centre.

Handy Hints

- Assemble all parts and bolts loosely during assembly, only once the product is complete should you fully tighten the bolts
- Regularly check and ensure that all bolts and fittings are tightened properly.

WARNING

In order to help prevent overturning – please follow these instructions

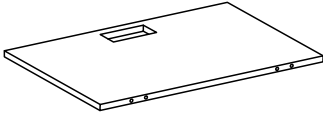
To help prevent product toppling over please follow the below steps:-

Use the anti tip strap or wall fixing method provided (if applicable)
Do not allow children to climb or hang on the furniture
Do not open more than one drawer at a time
Do not place heavy items in the top drawers
Do not place heavy items on top of the furniture, unless the furniture has been designed for this purpose

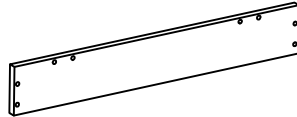
Please note that only the anti tip strap is provided.
You will need to provide wall plugs and screws applicable for your wall type

Components - Panels

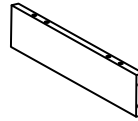
Please check you have all the panels listed below



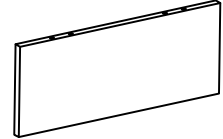
1 (49X32.5X1.2) X1



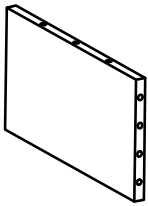
2 (49X7.5X1.2) X2



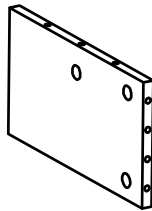
3 (32.5X6.3X1.2) X2



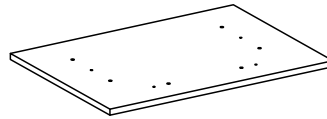
4 (34X13.8X1.2) X1



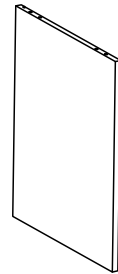
5 (25.2X13.8X1.2) X1



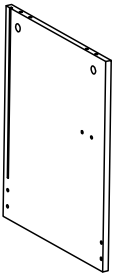
6 (25.2X13.8X1.2) X1



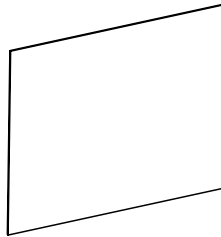
7 (49X33.8X1.2) X1



8 (33.8X41.5X1.2) X1



9 (33.8X41.5X1.2) X1



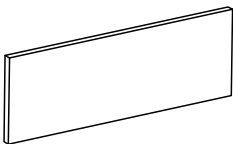
10 (47.4X36.3X0.3) X1



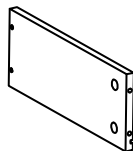
11 (46.4X8X1.2) X2



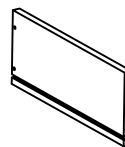
12 (46.4X8X1.2) X1



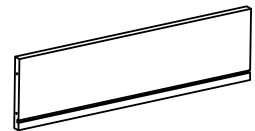
13 (49X17X1.2) X2



14 (30X11.5X1.2) X2



15 (30X11.5X1.2) X2



16 (41.6X11.5X1.2) X2





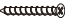
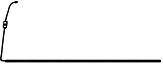





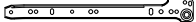




17 (42.2X30.8X0.3) X2

Components - Fittings

Please check you have all the fittings listed below

Note: The quantities below are the correct amount to complete the assembly. In some cases more fittings may be supplied than are required.

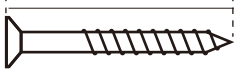
A  7*35mm Cam Bolt x 44	B  Camlock x 44	C  6*30mm Wooden Dowel x 32
D  3.5*14mm Screw x 2	E  5*40mm Screw x 12	F  Strip light x 1
G  Electrical plug board x 1	H  3.5*10mm Screw x 23	I  Plastic buckle x 3
J  Back Panel Stiffener x 4	CL  Slide rail x 2	CR  Slide rail x 2
DL  Slide rail x 2	DR  Slide rail x 2	

Tools required

 Phillips screwdriver
(medium & large)

Ruler - Use this ruler to help correctly identify the screws

0 5 10 15 20 25 30 35 40 45 50 55 60 65 70 75 80 85 90 95 100 105 110 115 120 125 130 135 140 145 150 155 160 165 170



The screws length is measured from the head to the point (30mm screw shown).

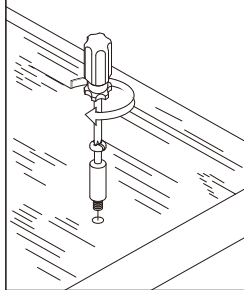
Using Camlocks

Step 1

Connect the male camlock as directed in the assembly instructions using a screwdriver.

1

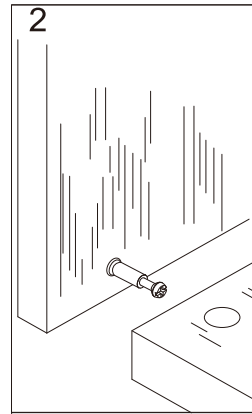
DO NOT OVER TIGHTEN.
NE PAS SERRER EXCESSIVEMENT.



Step 2

Push the male camlock into the entry hole.

2

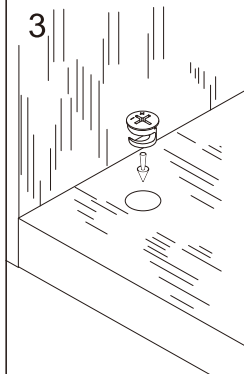


Step 3

Insert the female camlock as shown in the instructions.

Note: ensure that the arrow on the top of the camlock points towards the entry hole for the male camlock.

3



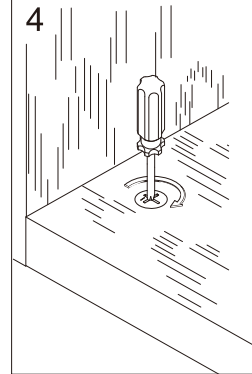
Step 4

Turn the female camlock clockwise with a screwdriver.

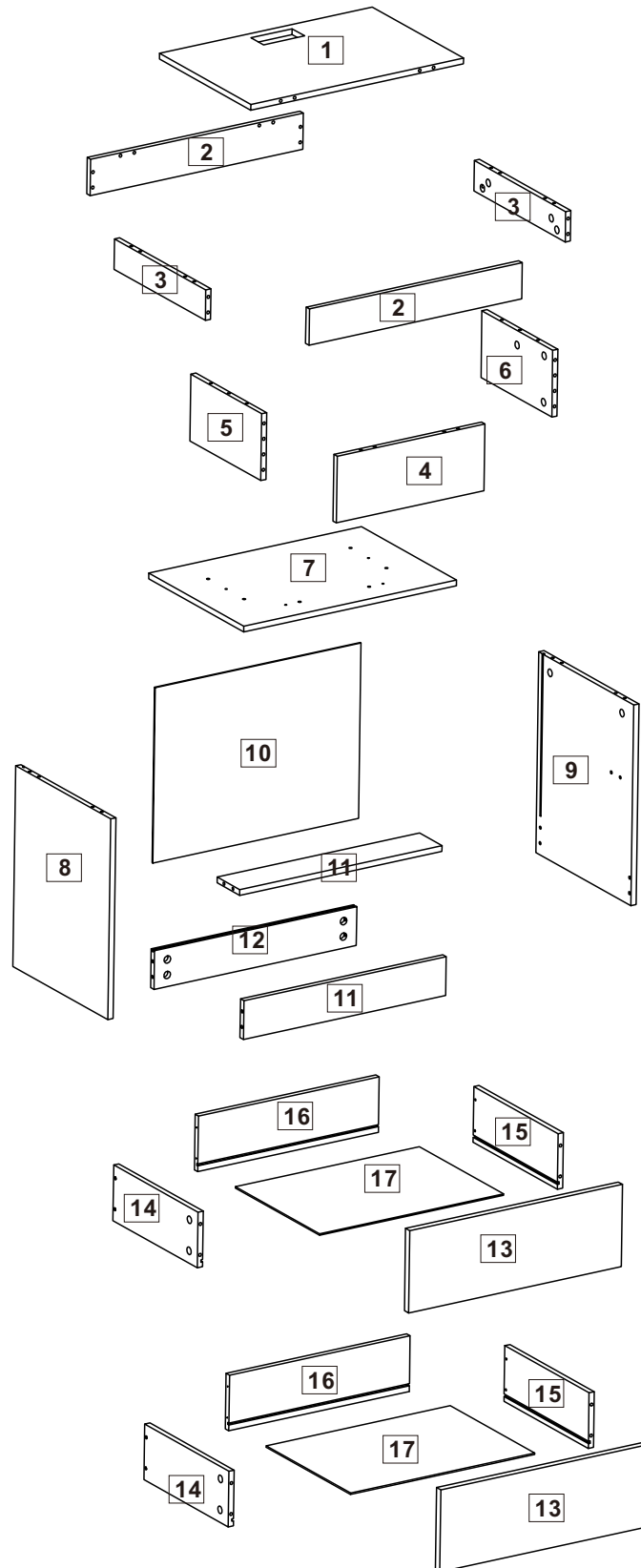
You should feel a click when the camlock is locked in place.

The joint is now secure.

4



Assembly Instructions

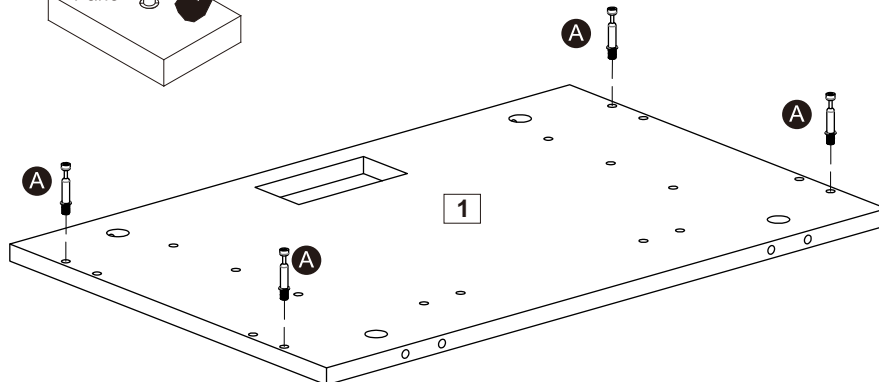
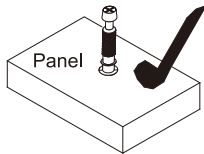
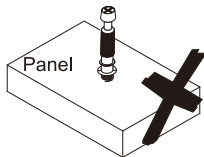
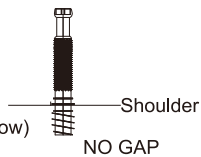


Assembly Instructions

Step 1

CAM-LOCK

Tighten until shoulder is flush with panel. Do not overtighten or undertighten (see example below)

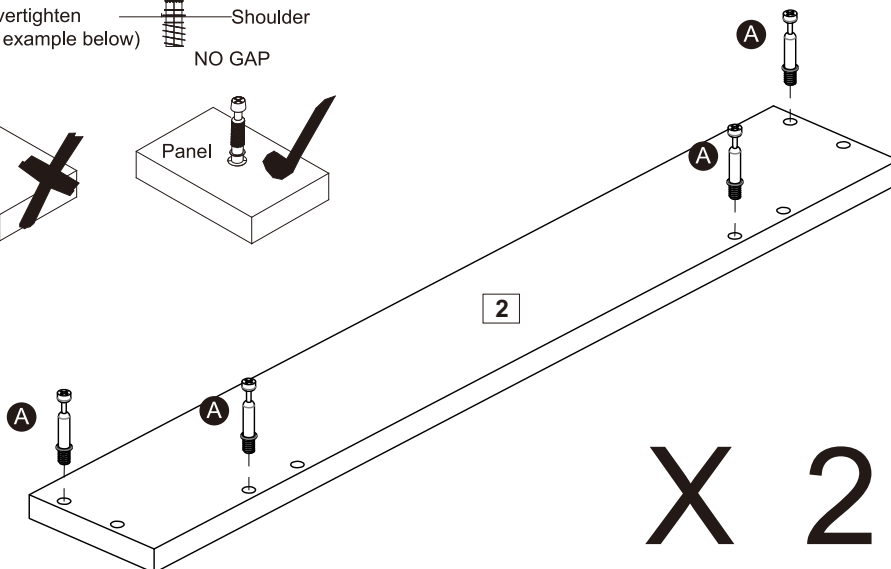
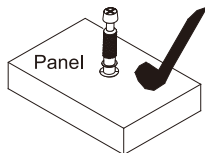
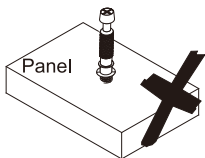
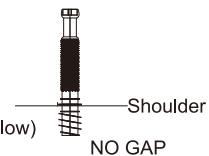


Secure the cam pin (A) to the part (1) with a screwdriver.

Step 2

CAM-LOCK

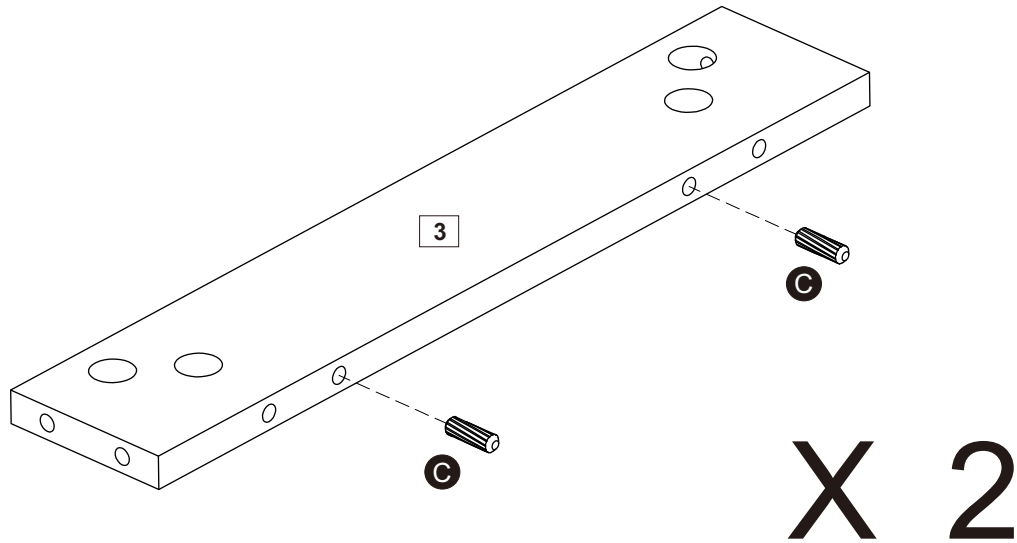
Tighten until shoulder is flush with panel. Do not overtighten or undertighten (see example below)



Secure the cam pin (A) to the part (2) with a screwdriver.

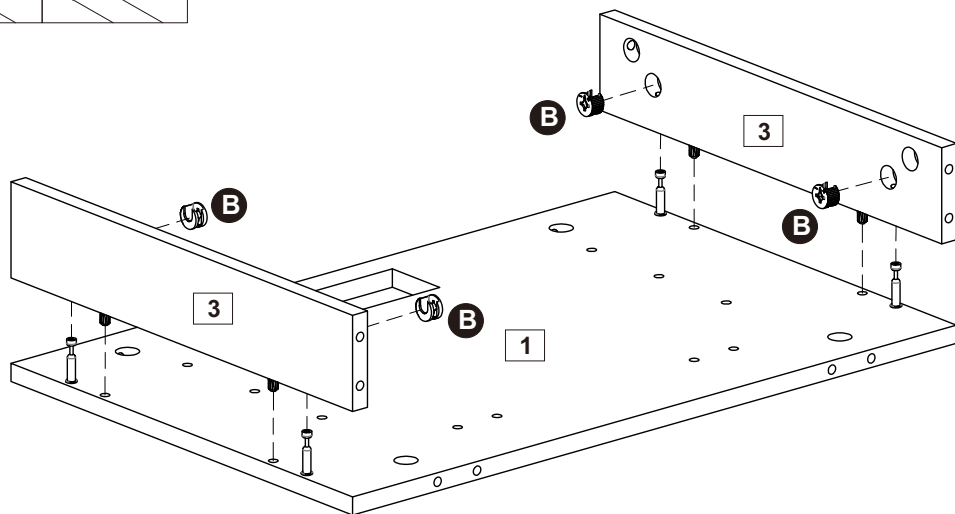
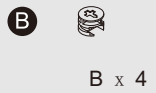
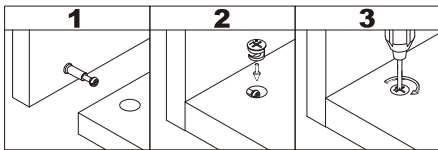
Assembly Instructions

Step 3



Insert wooden dowel (C) into part (3)

Step 4



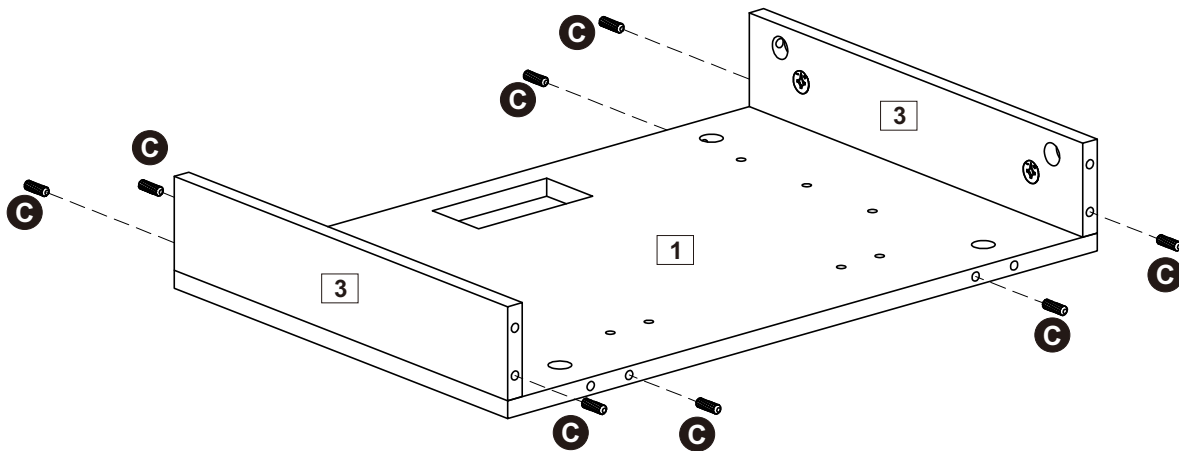
Connect the top plate (1) to the cowl panel (3), insert and lock the cam lock (B).

Assembly Instructions

Step 5

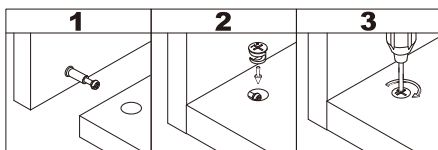


C x 8

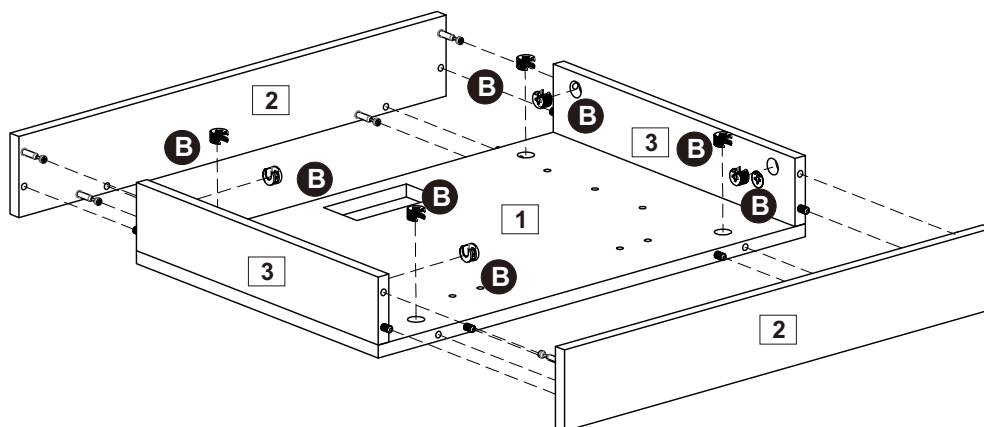


Insert wooden dowel (C) into part (1,3)

Step 6



B x 8



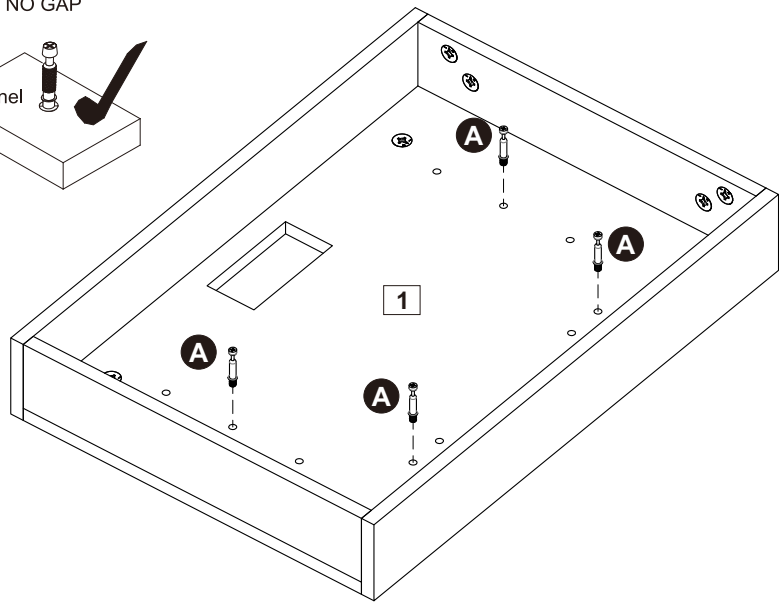
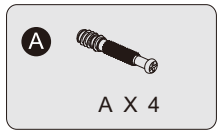
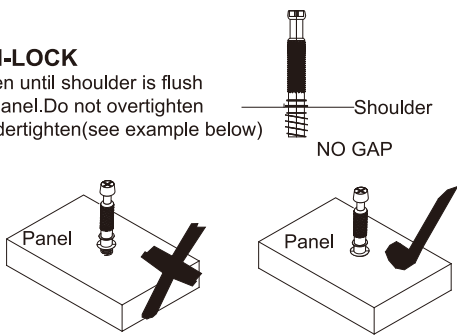
Connect components (2) to components (1, 3), insert and lock cam lock (B).

Assembly Instructions

Step 7

CAM-LOCK

Tighten until shoulder is flush with panel. Do not overtighten or undertighten (see example below)

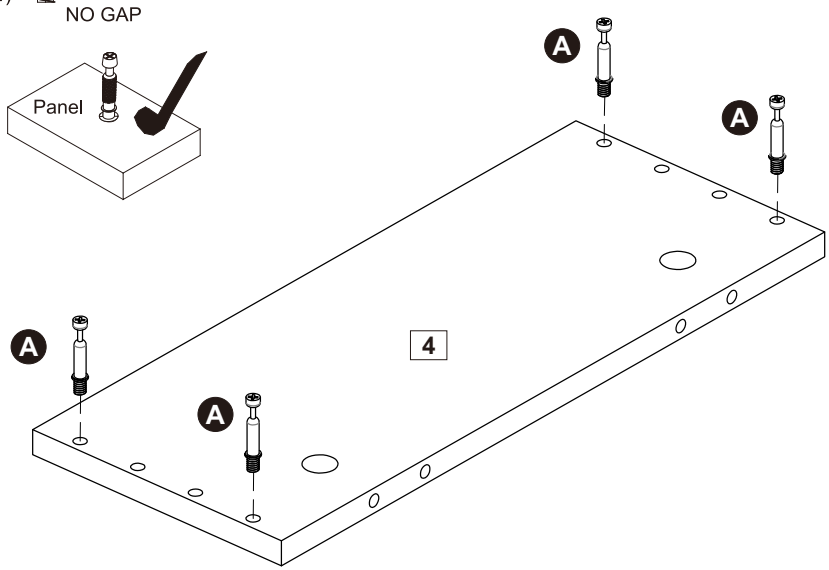
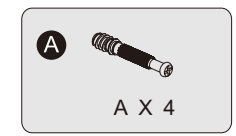
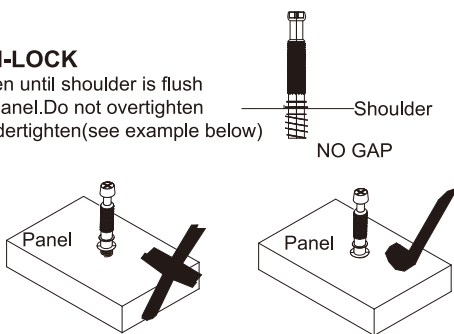


Secure the cam pin (A) to the part (1) with a screwdriver.

Step 8

CAM-LOCK

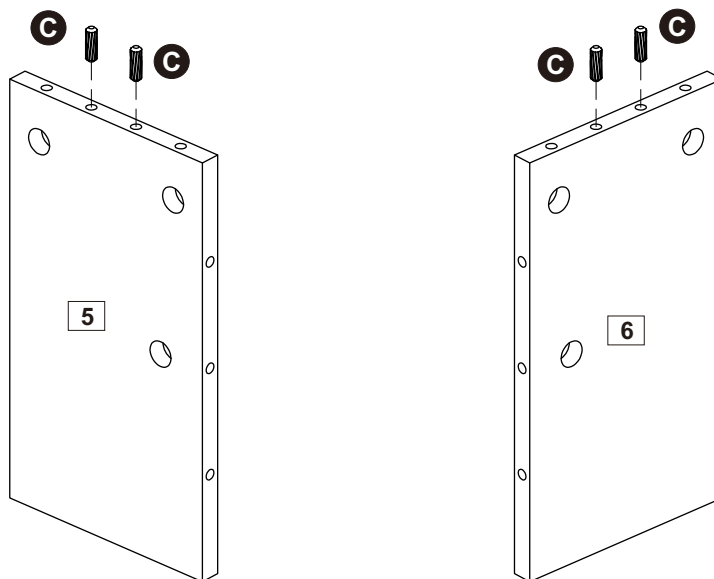
Tighten until shoulder is flush with panel. Do not overtighten or undertighten (see example below)



Secure the cam pin (A) to the part (4) with a screwdriver.

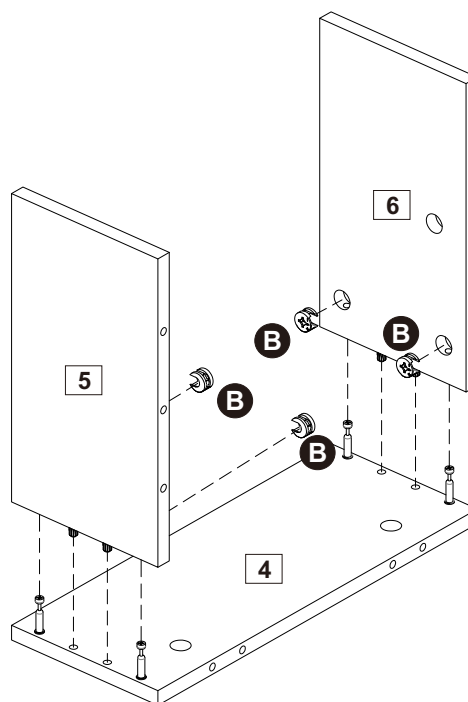
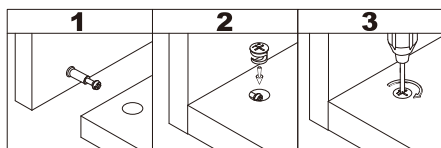
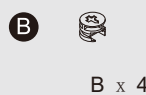
Assembly Instructions

Step 9



Insert wooden dowel (C) into part (5,6)

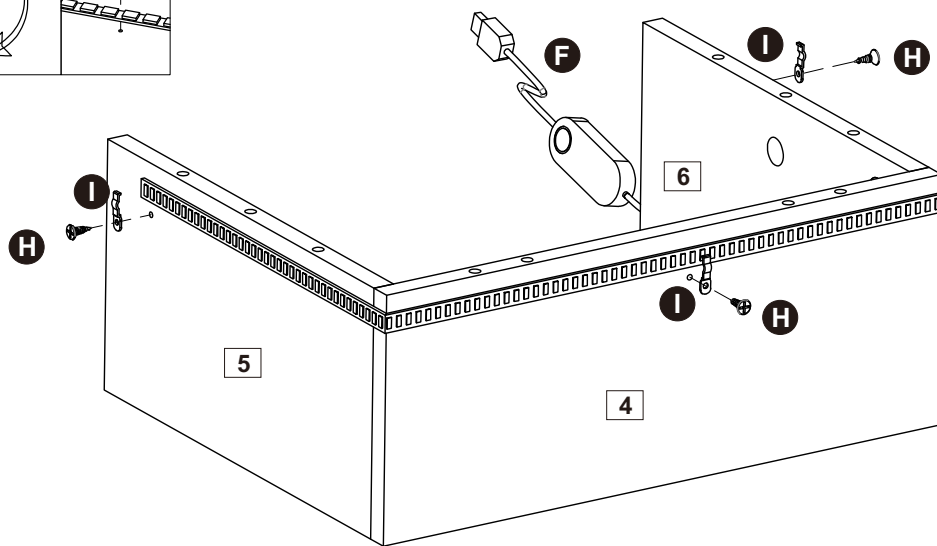
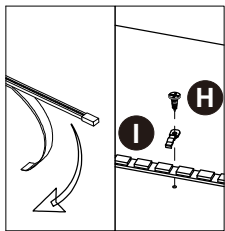
Step 10



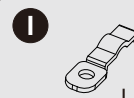
Connect components (4) to components (5, 6), insert and lock cam lock (B).

Assembly Instructions

Step 11



H x 3



I x 3



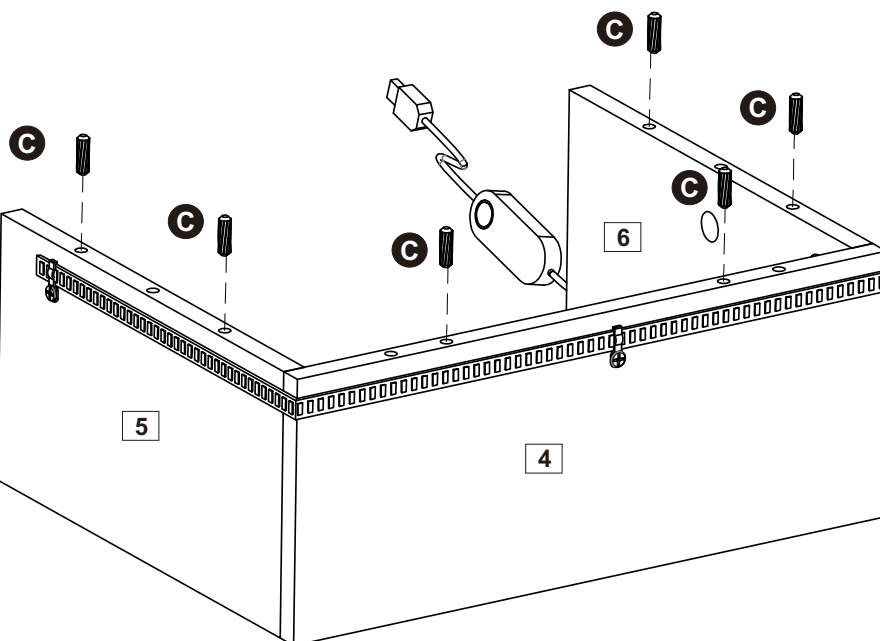
F x 1

As shown in the figure, the parts (I, H) for the lamp belt (F), secure to (4.5.6).

Step 12



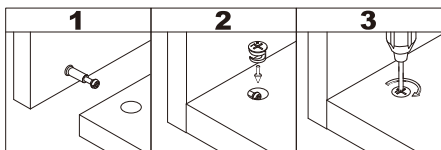
C x 6



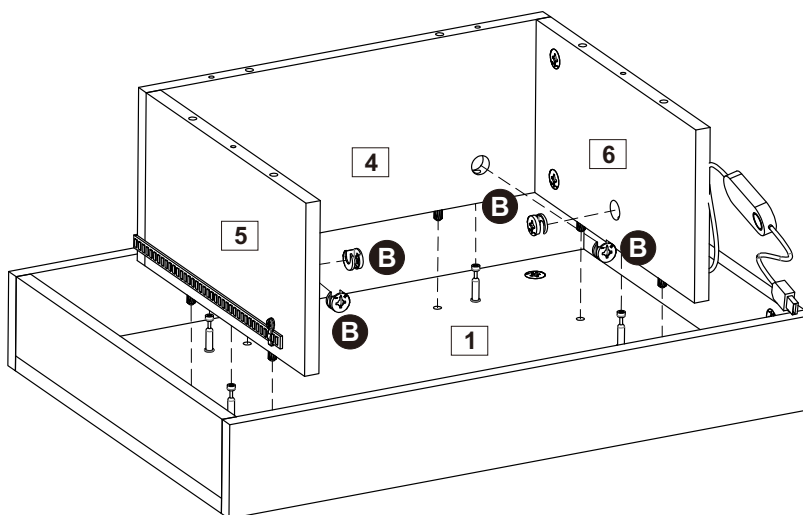
Insert wooden dowel (C) into part (4,5,6)

Assembly Instructions

Step 13



B x 4

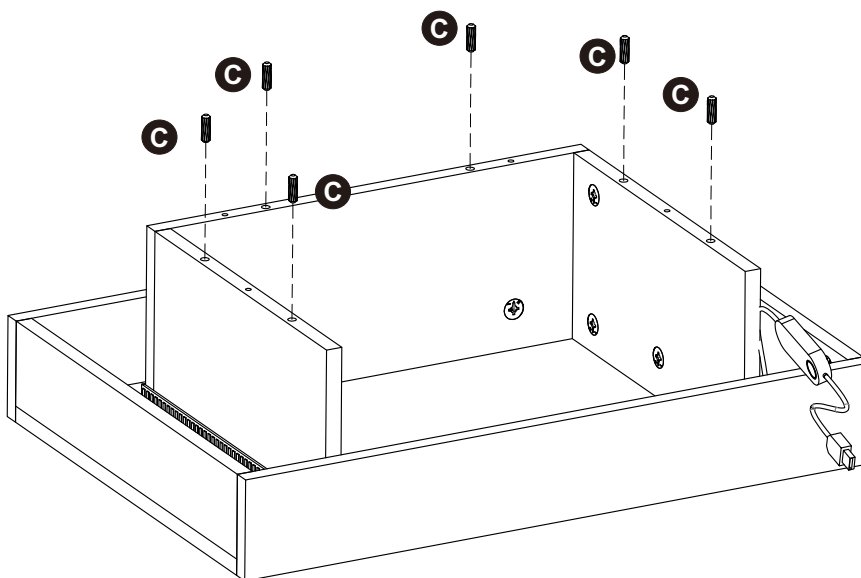


Connect components (4,5,6) to components (1), insert and lock cam lock (B).

Step 14



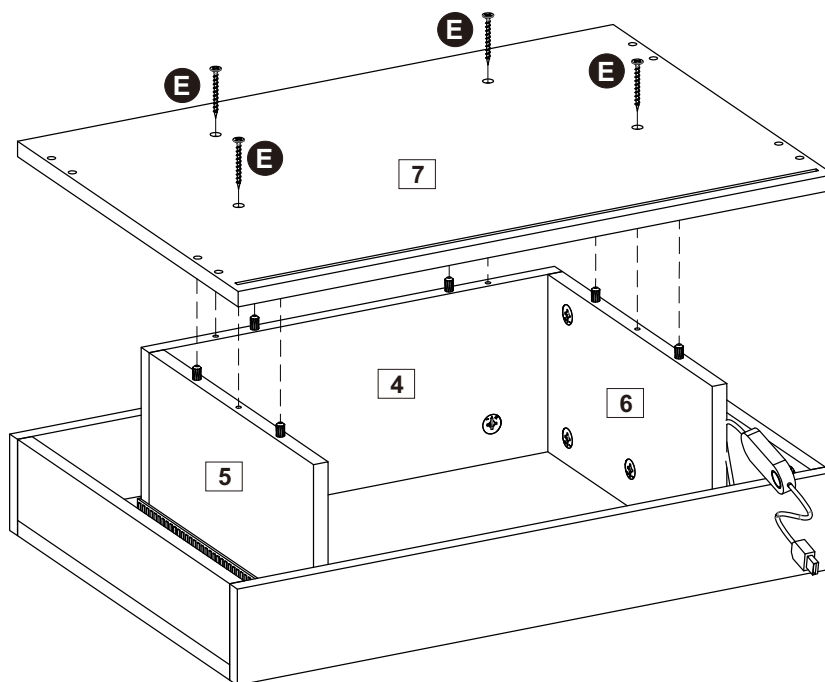
C x 6



Insert wooden dowel (C) into part (4,5,6)

Assembly Instructions

Step 15



E 

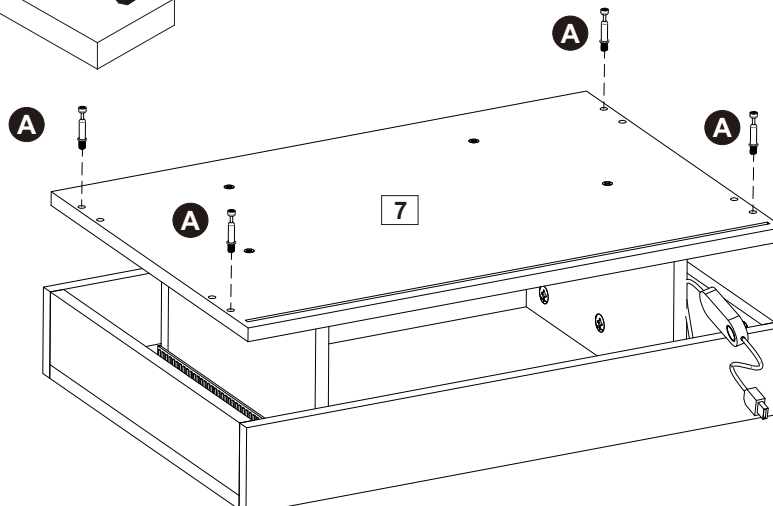
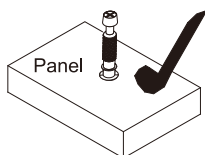
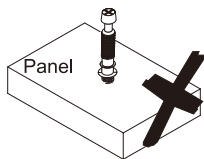
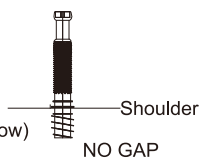
E x 4

Secure component (7) with screw (E) using a screwdriver.

Step 16

CAM-LOCK

Tighten until shoulder is flush with panel. Do not overtighten or undertighten (see example below)



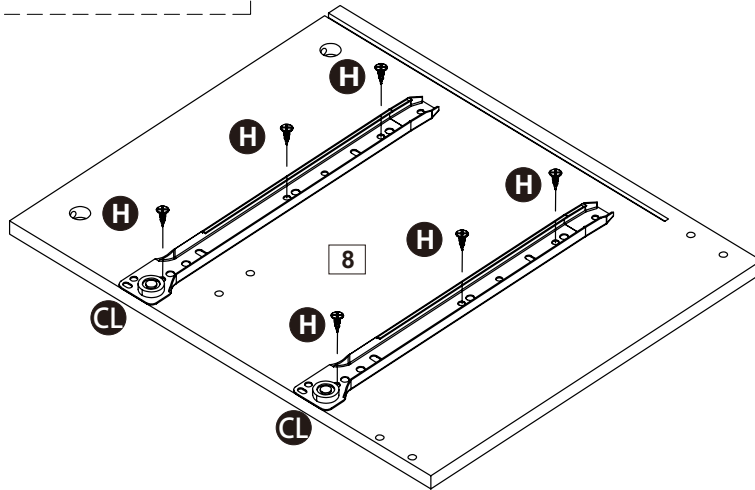
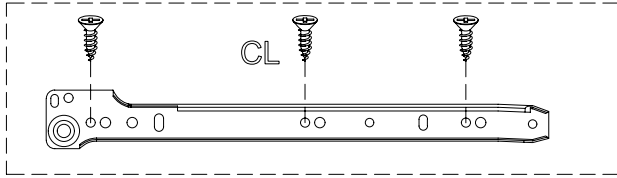
A 

A X 4

Secure the cam pin (A) to the part (7) with a screwdriver.

Assembly Instructions

Step 17

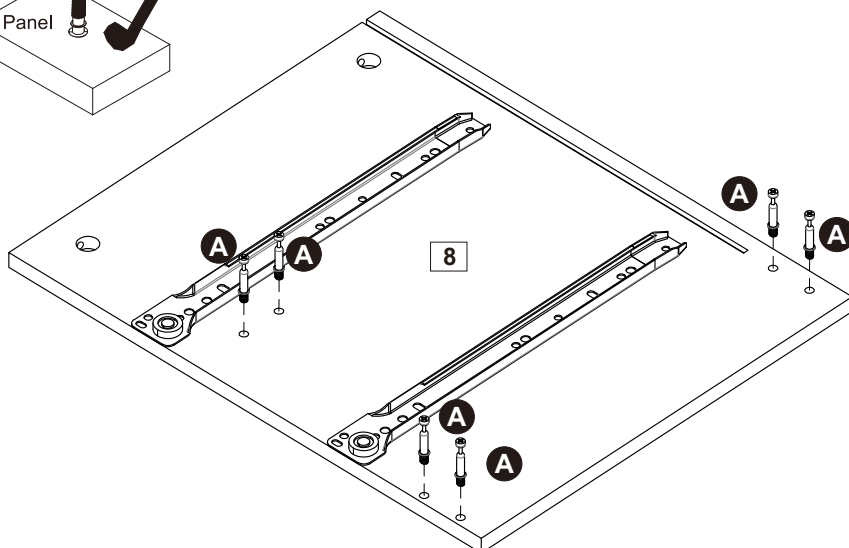
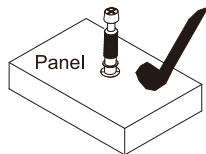
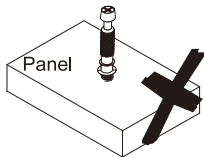
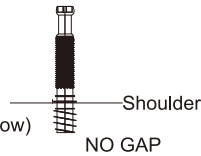


Secure rail (CL) to assembly (8) with screws (H).

Step 18

CAM-LOCK

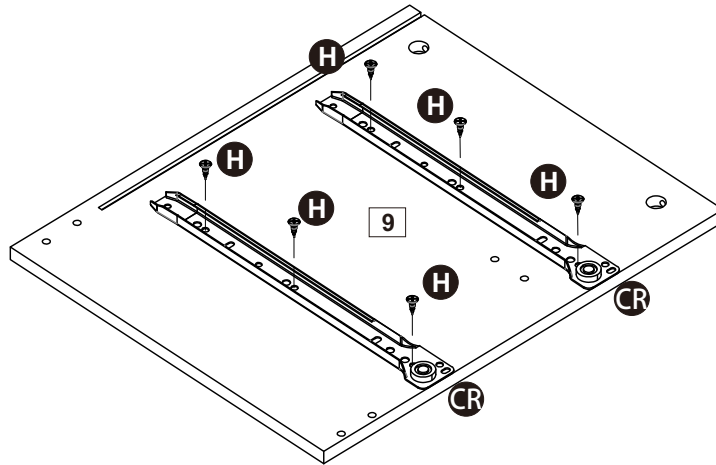
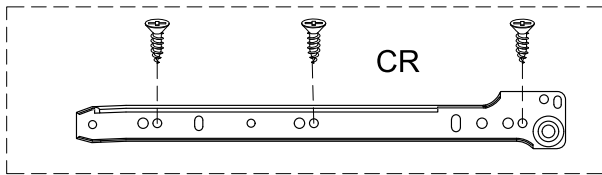
Tighten until shoulder is flush with panel. Do not overtighten or undertighten (see example below)



Secure the cam pin (A) to the part (8) with a screwdriver.

Assembly Instructions

Step 19

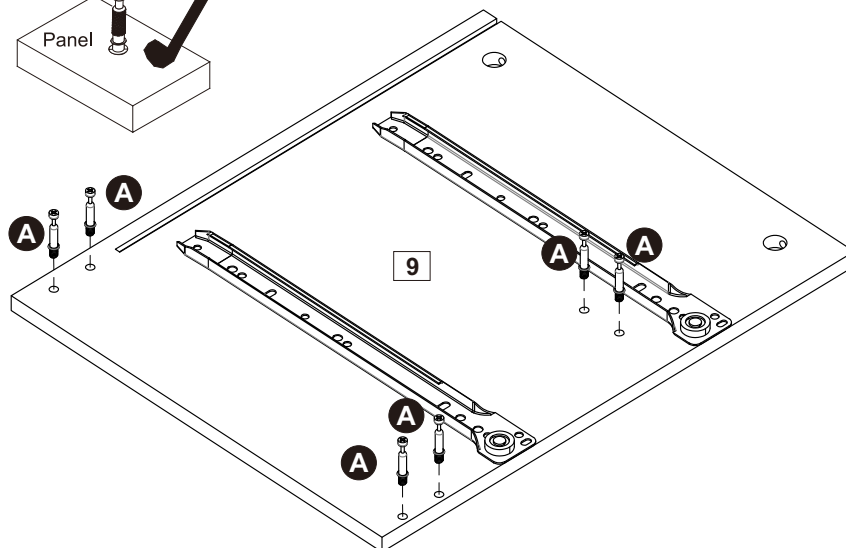
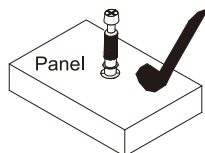
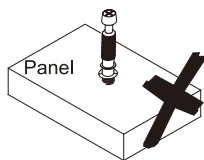
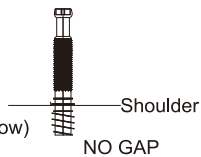


Secure rail (CL) to assembly (9) with screws (H).

Step 20

CAM-LOCK

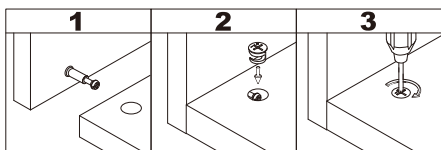
Tighten until shoulder is flush with panel. Do not overtighten or undertighten (see example below)



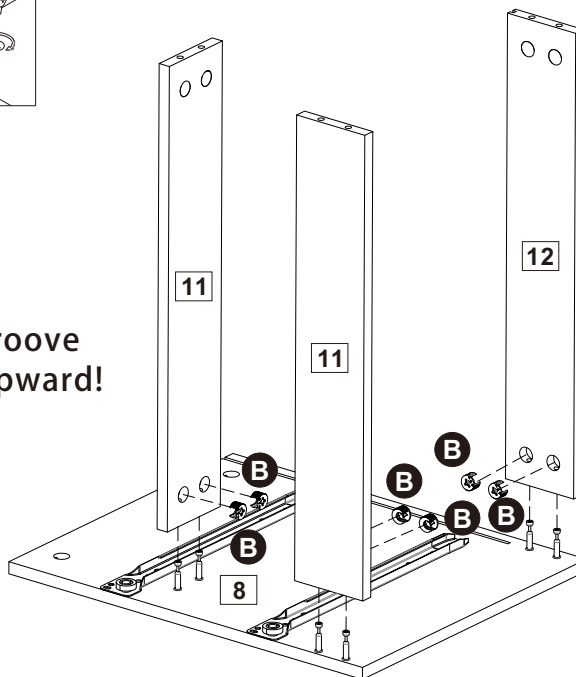
Secure the cam pin (A) to the part (9) with a screwdriver.

Assembly Instructions

Step 21



Note that the back plate groove of the component (12) is upward!



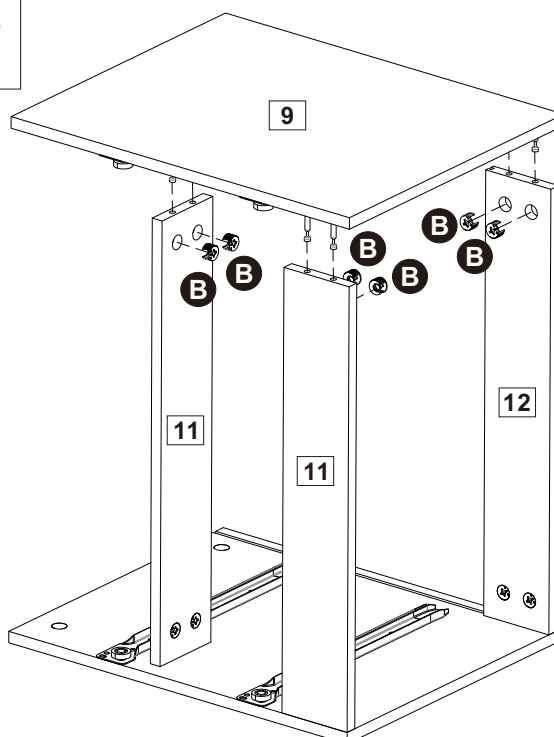
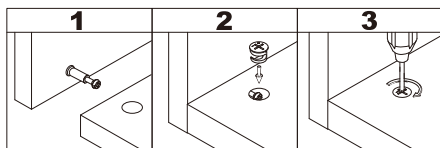
B



B x 6

Connect components (11,12) to components (8), insert and lock cam lock (B).

Step 22



B

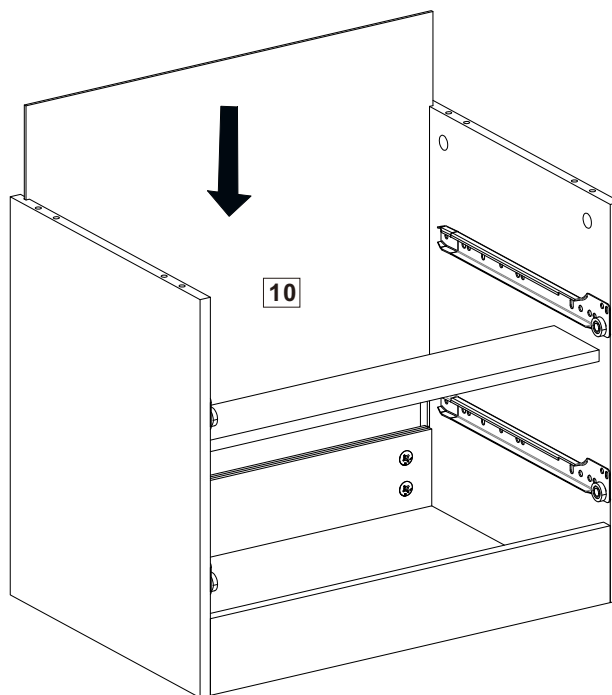


B x 6

Connect components (11,12) to components (9), insert and lock cam lock (B).

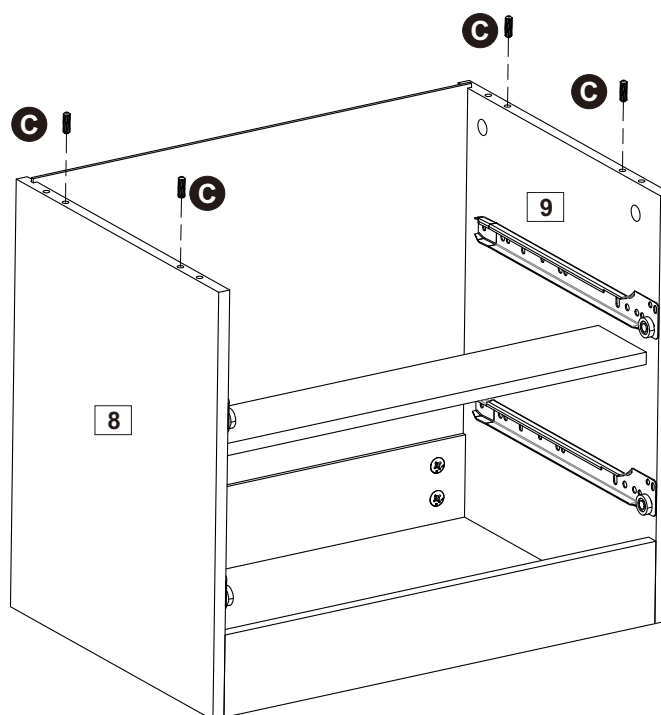
Assembly Instructions

Step 23



Slide the back plate (10) into the groove as shown.

Step 24

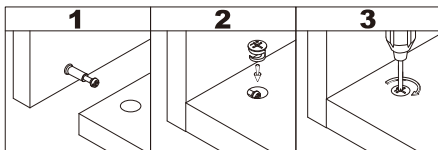



C x 4

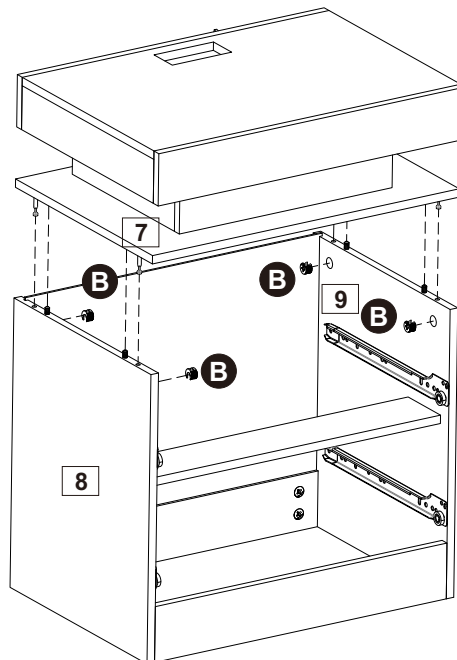
Insert wooden dowel (C) into part (8,9)

Assembly Instructions

Step 23

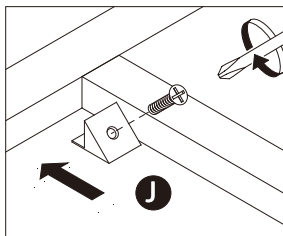



B 
B x 4

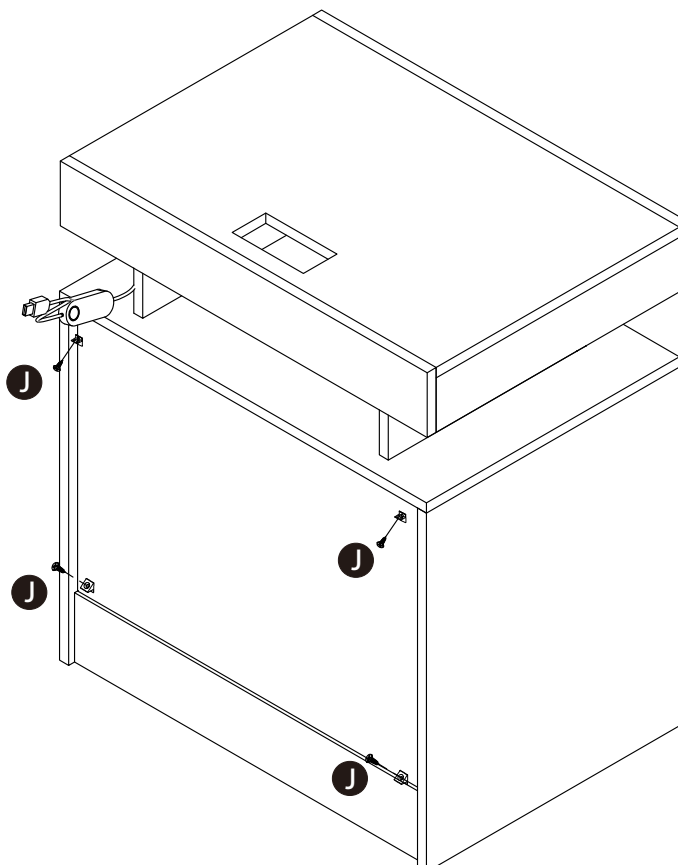


Connect components (8,9) to components (7), insert and lock cam lock (B).

Step 24



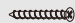
J 
J x 4



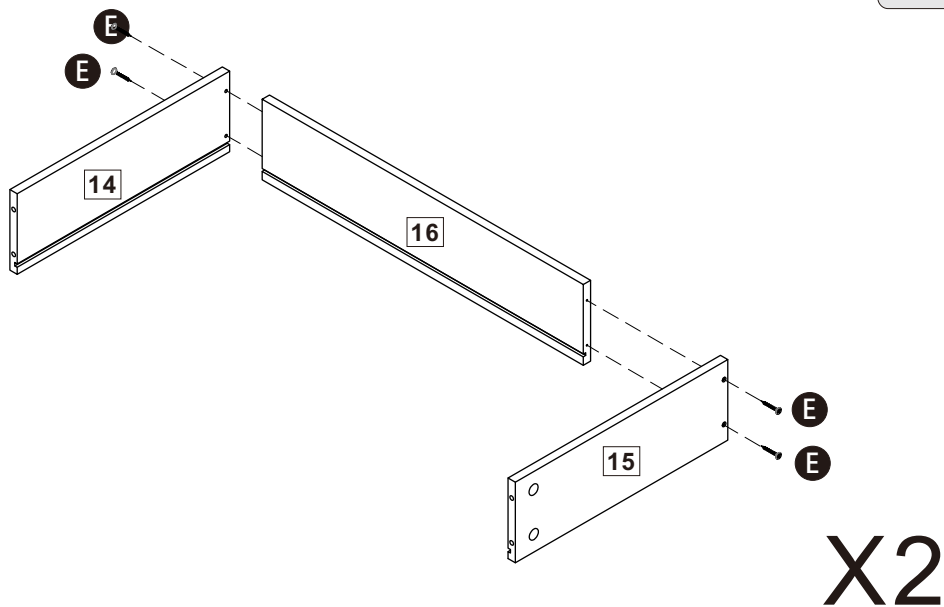
Attach plastic wedge (J) to back panels using screws with a screwdriver.

Assembly Instructions

Step 25

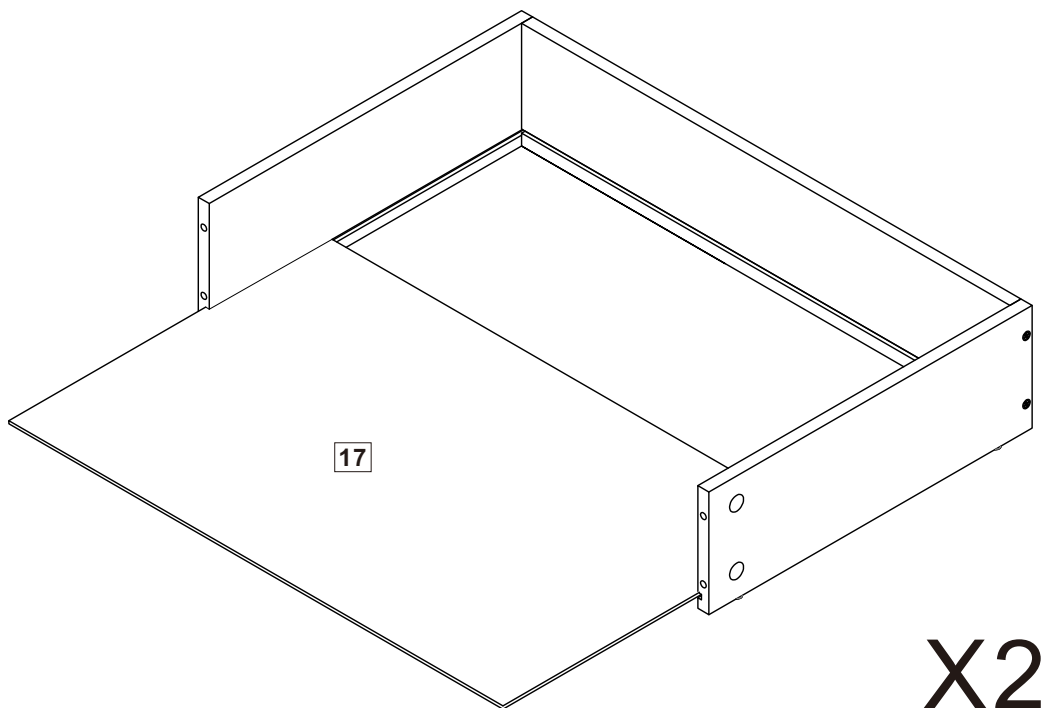
E 

E x 8



Secure parts (14,15,16) with screwdriver screws.

Step 26



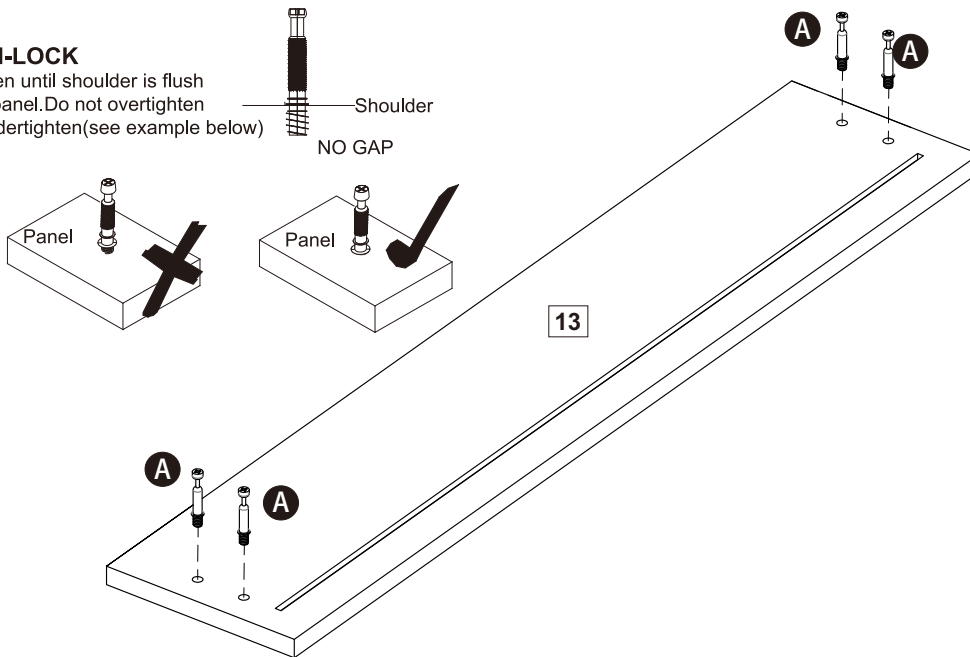
Slide the back panels (17) into grooves as per diagram.

Assembly Instructions

Step 27

CAM-LOCK

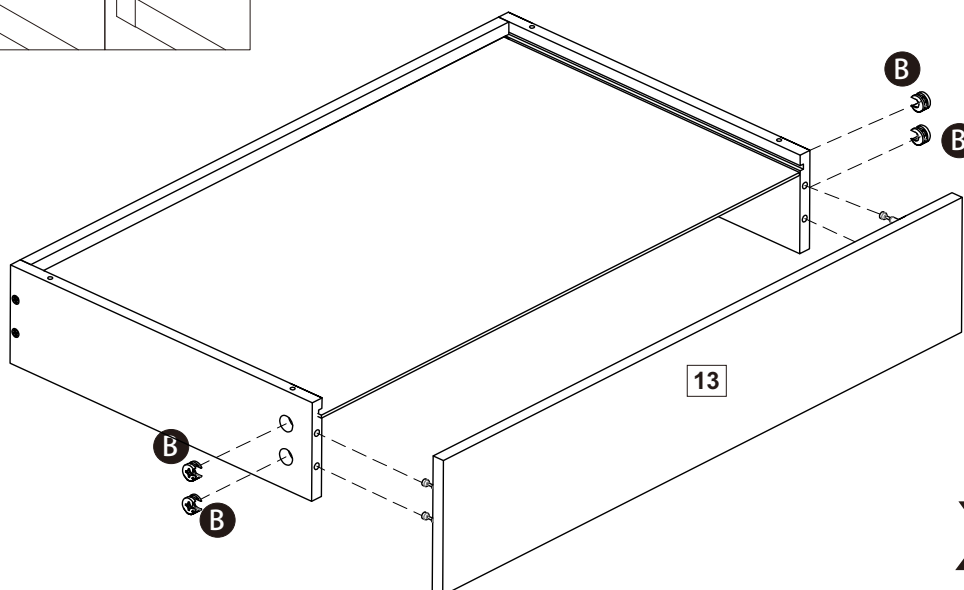
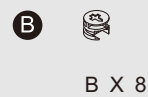
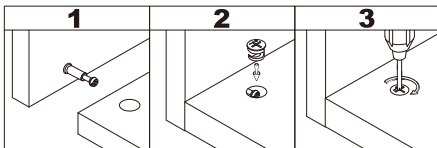
Tighten until shoulder is flush with panel. Do not overtighten or undertighten (see example below)



X2

Attach cam bolt (A) to part (13) with a screwdriver.

Step 28

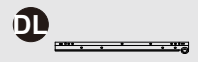


X2

Connect the drawer panel (13) to the drawer side panel and insert the cam lock (B) and lock it.

Assembly Instructions

Step 29



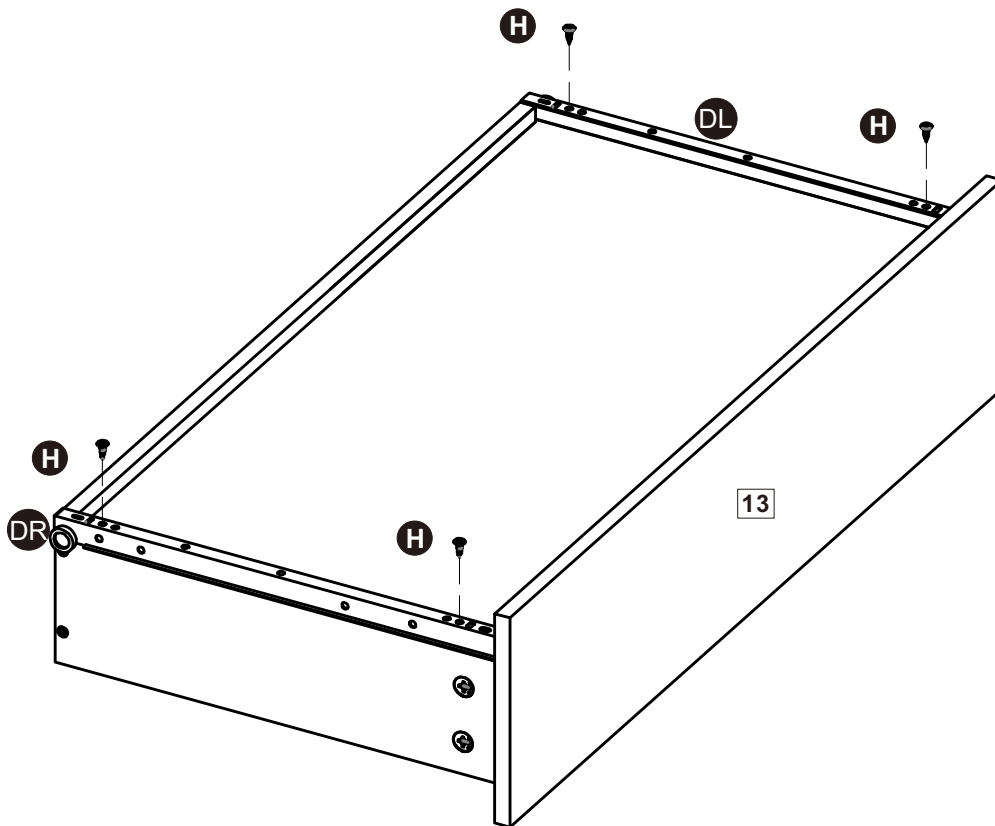
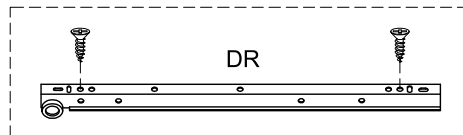
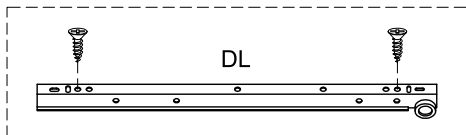
DL x 2



DL x 2



H x 8



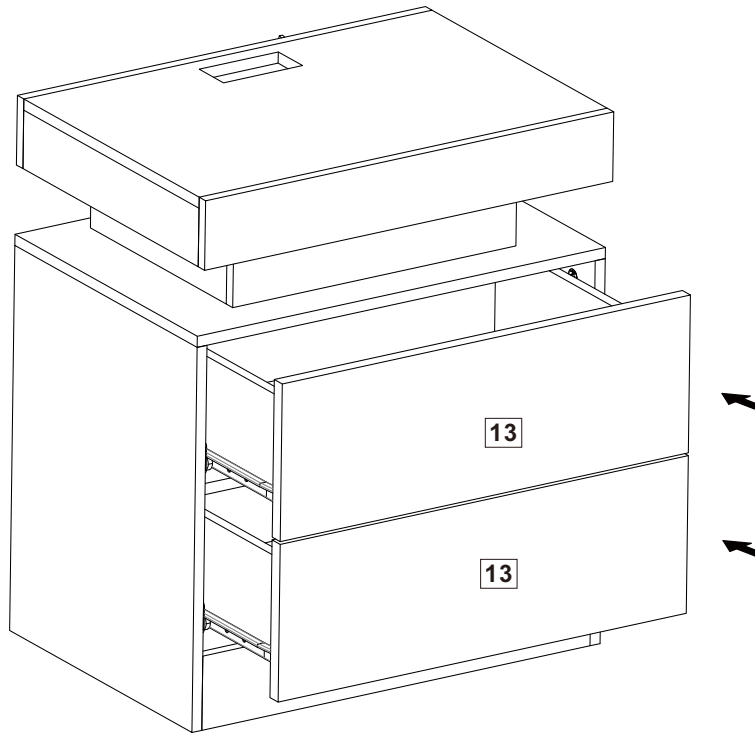
X2

Secure the rails (DL, DR) with screws (H) as shown.

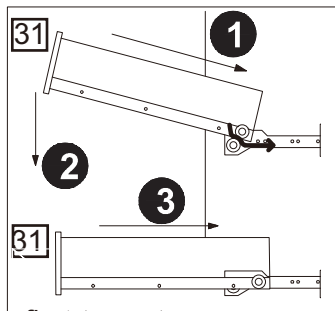
Assembly Instructions

Step 30

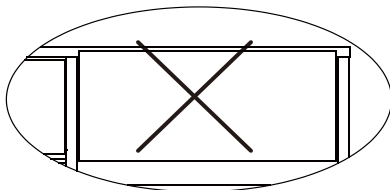
Congratulation! You've made to the last step! But don't be too thrilled yet, put on the drawer can be frustrating if you do it wrong. So, take your time and follow the steps below.



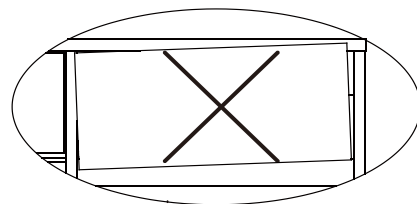
1. Please ensure that you have matched the wheels on BOTH sides of the drawer with the wheels on rails installed BEFORE push in the drawer.



2. If the following occurs, redo the first two step.



(both wheel are off the rails)

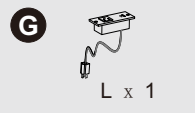


(one wheel is off the rail)

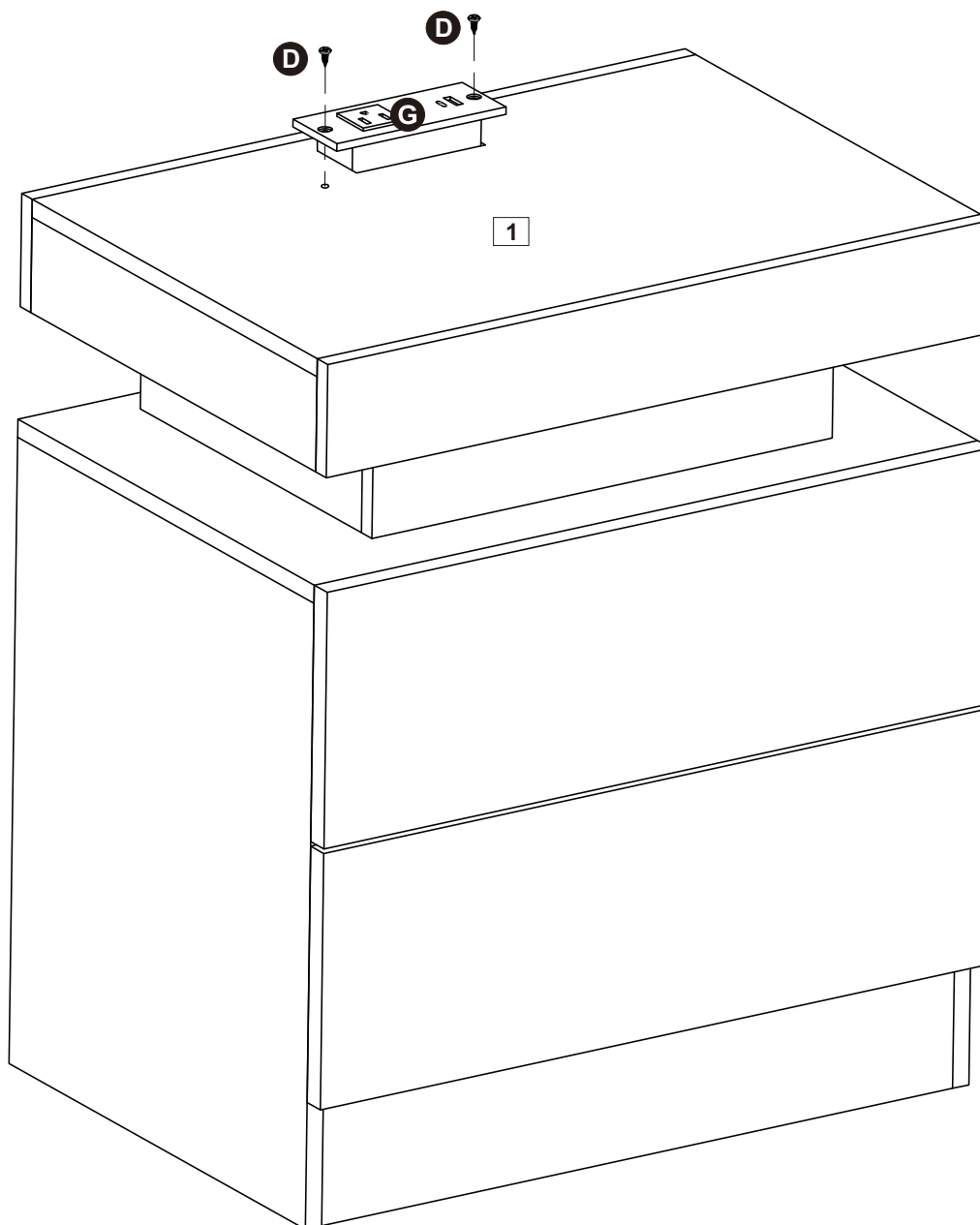
Insert the drawer as shown.

Assembly Instructions

Step 31



Insert the busbar into the panel (1) and secure with screws (D).



Assembly is complete.