

Please check that you have all the parts listed before you start assembling, if you do find that something is missing, do not continue assembly, please contact us immediately.

**NOTE:** Please do not completely tighten all the hardware until the entire assembly is complete!

Bitte überprüfen Sie, ob alle Teile mitgeliefert sind, bevor Sie mit der Montage beginnen. Wenn Sie festlegen, dass etwas fehlt, setzen Sie die Montage nicht fort. Bitte kontaktieren Sie uns sofort.

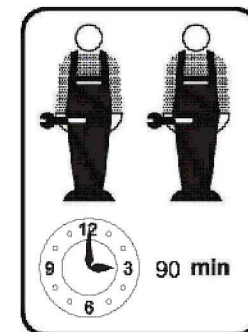
**Achtung :** Bitte ziehen Sie nicht alle Schrauben fest, bevor die Montage abgeschlossen ist !

- D** Gebrauchsanweisung
- NL** Gebruiksrichtlijnen
- IT** Istruzioni per l'uso
- CZ** Pokyny k použití
- HU** Használati útmutató
- PT** Instruções de utilização
- SK** Pokyny k použitiu

- GB** Instructions for use
- FR** Instructions d'utilisation
- PL** Instrukcja obsługi
- ES** Instrucciones de empleo
- RO** Instrucțiuni de folosire
- RU** Инструкция по монтажу
- TR** Kullanım talimatları

This set will be shipped by 2 boxes and they may arrive on different days. If both packages arrived but parts missing, please contact customer service.

Dieses Set ist in 2 Boxen enthalten. Wenn Sie keine vollen 2 Boxen erhalten, wenden Sie sich bitte an unseren Kundenservice



**SKU:** N623P330115/N623P330116



## IMPORTANT FOR GAS LIFT BEDS&MAINTAINCE

- Please place the mattress on top of the bed frame.
- Please do not pull on the strap handles.
- Please press heavily to release the compressed gas.
- Periodically check all screw & fixings to ensure they are secure.
- When moving your product, carefully lift into place.
- Wipe clean with a slightly damp cloth- please do not use abrasive chemicals or bleach.
- Do NOT allow children to operate the lift mechanism.
- Do NOT allow children near the lift base when operating the mechanism.
- Do NOT stand inside the bed or the internal storage base.
- Do NOT overload the internal storage base.
- DO NOT jump on the product or any of its parts.

## WICHTIG FÜR GASLIFT-BETTEN&WARTUNG

- Bitte legen Sie die Matratze oben auf den Bettrahmen.
- Bitte ziehen Sie nicht an den Gurtgriffen.
- Bitte drücken Sie kräftig, um das komprimierte Gas freizusetzen.
- Überprüfen Sie regelmäßig alle Schrauben und Befestigungen, um sicherzustellen, dass sie sicher sind.
- Wenn Sie Ihr Produkt bewegen, heben Sie es vorsichtig an seinen Platz.
- Mit einem leicht feuchten Tuch abwischen - bitte keine scheuernden Chemikalien oder Bleichmittel verwenden.
- Erlauben Sie Kindern NICHT, den Hebemechanismus zu bedienen.
- Lassen Sie Kinder NICHT in die Nähe des Liftsockels, wenn Sie den Mechanismus bedienen.
- Stellen Sie sich NICHT in das Bett oder in die Innenablage.
- Überlasten Sie den internen Liftsockel NICHT.
- Springen Sie NICHT auf das Produkt oder eines seiner Teile.

## IMPORTANT POUR LES LITS À RELEVAGE DE GAZ&MAINTENANCE

- Veuillez placer le matelas sur le dessus du cadre de lit.
- Ne tirez pas sur les poignées de la sangle.
- Appuyez fortement pour libérer le gaz comprimé.
- Vérifiez régulièrement que toutes les vis et fixations sont bien en place.
- Lorsque vous déplacez votre produit, soulevez-le avec précaution pour le mettre en place.
- Nettoyez avec un chiffon légèrement humide - n'utilisez pas de produits chimiques abrasifs ou d'eau de Javel.
- Ne laissez pas les enfants utiliser le mécanisme de levage.
- Ne laissez pas les enfants s'approcher de la base de levage lorsqu'ils actionnent le mécanisme.
- Ne vous tenez PAS à l'intérieur du lit ou de la base de stockage interne.
- Ne surchargez pas la base de stockage interne.
- Ne pas sauter sur le produit ou l'une de ses parties.

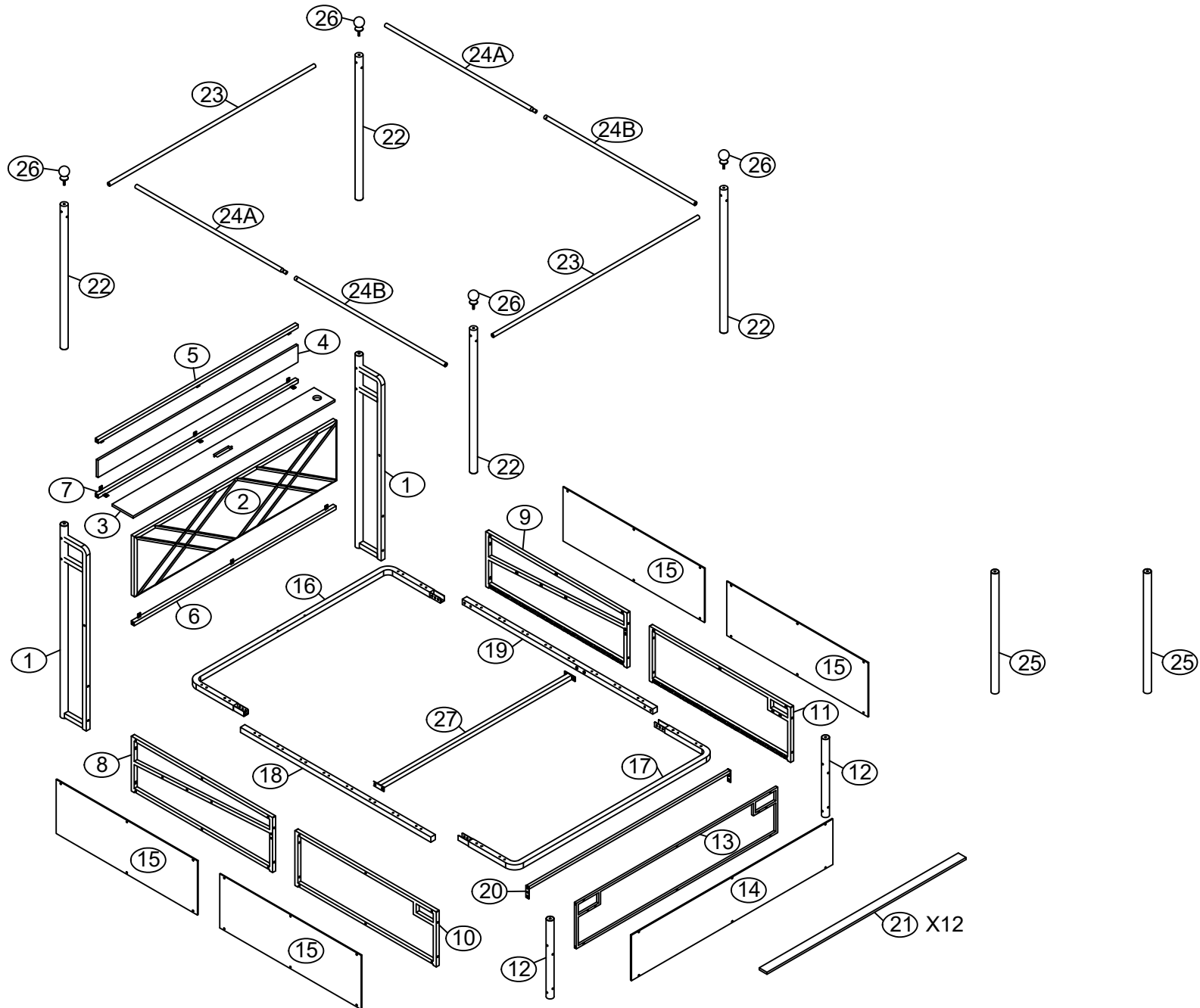
## IMPORTANTE PER I LETTI CON SOLLEVAMENTO A GAS E LA MANUTENZIONE

- Posizionare il materasso sopra la struttura del letto.
- Non tirare le maniglie della cinghia.
- Premere con forza per rilasciare il gas compresso.
- Controllare periodicamente tutte le viti e i fissaggi per assicurarsi che siano saldi.
- Quando si sposta il prodotto, sollevarlo con cautela.
- Pulire con un panno leggermente umido, senza usare prodotti chimici abrasivi o candeggina.
- NON permettere ai bambini di azionare il meccanismo di sollevamento.
- NON permettere ai bambini di avvicinarsi alla base di sollevamento quando si aziona il meccanismo.
- NON sostare all'interno del letto o della base di contenimento interna.
- NON sovraccaricare la base di contenimento interna.
- NON saltare sul prodotto o sulle sue parti.

## IMPORTANTE PARA LAS CAMAS ELEVADORAS DE GAS&MANTENIMIENTO

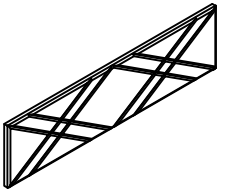
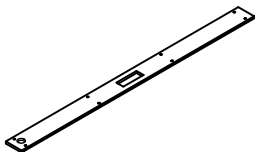
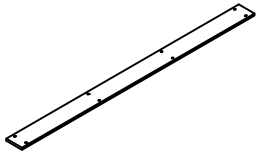
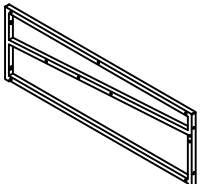
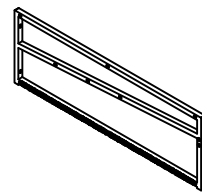
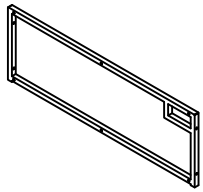
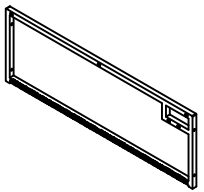
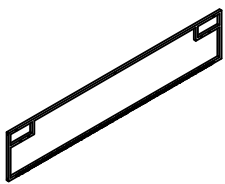
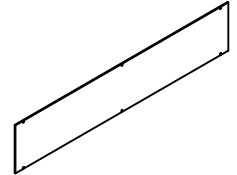
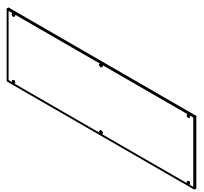
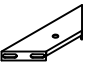
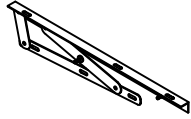
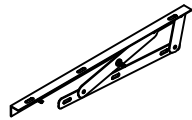
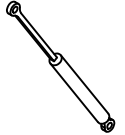
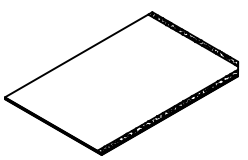
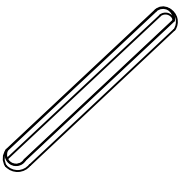
- Coloque el colchón sobre el somier.
- No tire de las asas de la correa.
- Presione con fuerza para liberar el gas comprimido.
- Compruebe periódicamente que todos los tornillos y fijaciones estén bien sujetos.
- Al mover el producto, levántelo con cuidado para colocarlo en su sitio.
- Limpie con un paño ligeramente humedecido; no utilice productos químicos abrasivos ni lejía.
- NO permita que los niños accionen el mecanismo de elevación.
- NO permita que los niños se acerquen a la base elevadora cuando accionen el mecanismo.
- NO se ponga de pie dentro de la cama o de la base de almacenamiento interna.
- NO sobrecargue el somier.
- NO salte sobre el producto ni sobre ninguna de sus piezas.

# Montageanleitung für Bettgestell I




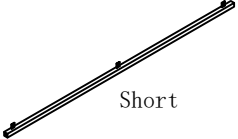
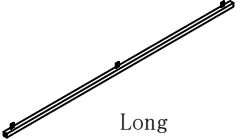
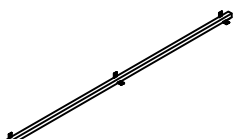

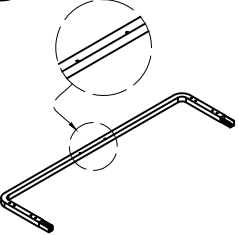
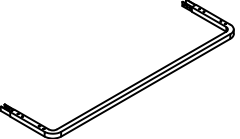
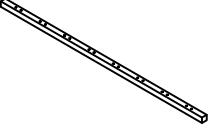
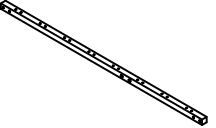

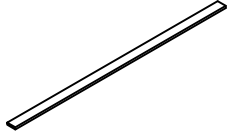

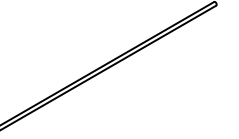
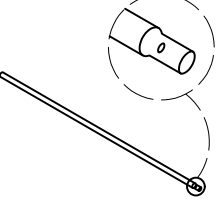
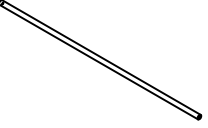

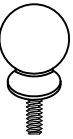
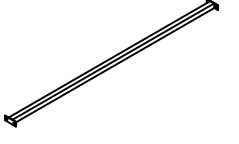
# Montageanleitung für Bettgestell I

Hardware parts Hardware-Teile SKU N623P330116

② x1 	③ x1 	④ x1 	⑧ x1 	⑨ x1 	⑩ x1 	⑪ x4 
⑬ x1 	⑭ x1 	⑮ x4 	① x2 	② x1 	③ x1 	④ x2 
⑤ x1 	⑥ x1 					

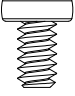
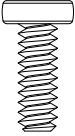
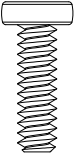
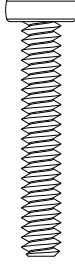
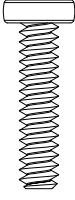

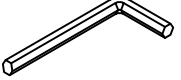
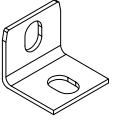


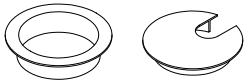
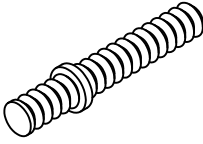
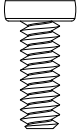
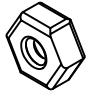
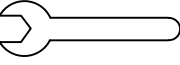
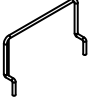


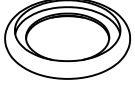
# Montageanleitung für Bettgestell I

Hardware parts Hardware-Teile SKU N623P330115

<p>① x2</p> 	<p>⑤ x1</p> <p>Short</p> 	<p>⑥ x1</p> <p>Long</p> 	<p>⑦ x1</p> 	<p>⑫ x2</p> 	<p>⑯ x1</p> 	<p>⑰ x1</p> 
<p>⑱ x1</p> 	<p>⑲ x1</p> 	<p>⑳ x1</p> 	<p>㉑ x12</p> 	<p>㉒ x4</p> 	<p>㉓ x2</p> 	<p>㉔A x2</p> 
<p>㉔B x2</p> 	<p>㉕ x2</p> 	<p>㉖ x4</p> 	<p>㉗ x2</p> 			

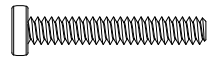
# Montageanleitung für Bettgestell I

Hardware parts Hardware-Teile SKU N623P330115

<p>(A) x14</p>  <p>Ø1/4" x 11mm</p>	<p>(B) x42</p>  <p>Ø1/4" x 14mm</p>	<p>(C) x24</p>  <p>Ø1/4" x 25mm</p>	<p>(D) x26</p>  <p>Ø1/4" x 60mm</p>	<p>(E) x4</p>  <p>Ø1/4" x 50mm</p>	<p>(F) x2</p>  <p>Ø3 x 12mm</p>	<p>(G) x1</p>  <p>M4</p>
<p>(J) x3</p>  <p>CASTER</p>	<p>(K) x1</p>  <p>SOCKET</p>	<p>(L) x1</p>  <p>LED STRIP</p>	<p>(M) x1</p>  <p>CASTER</p>	<p>(R) x6</p> 	<p>(S) x6</p>  <p>Ø1/4" x 20mm</p>	<p>(T) x4</p>  <p>M8</p>
<p>(U) x1</p>  <p>M8</p>	<p>(V) x1</p> 	<p>(W) x24</p> 	<p>(X) x2</p> 	<p>(Z) x6</p> 		

# Montageanleitung für Bettgestell I

## STEP 1



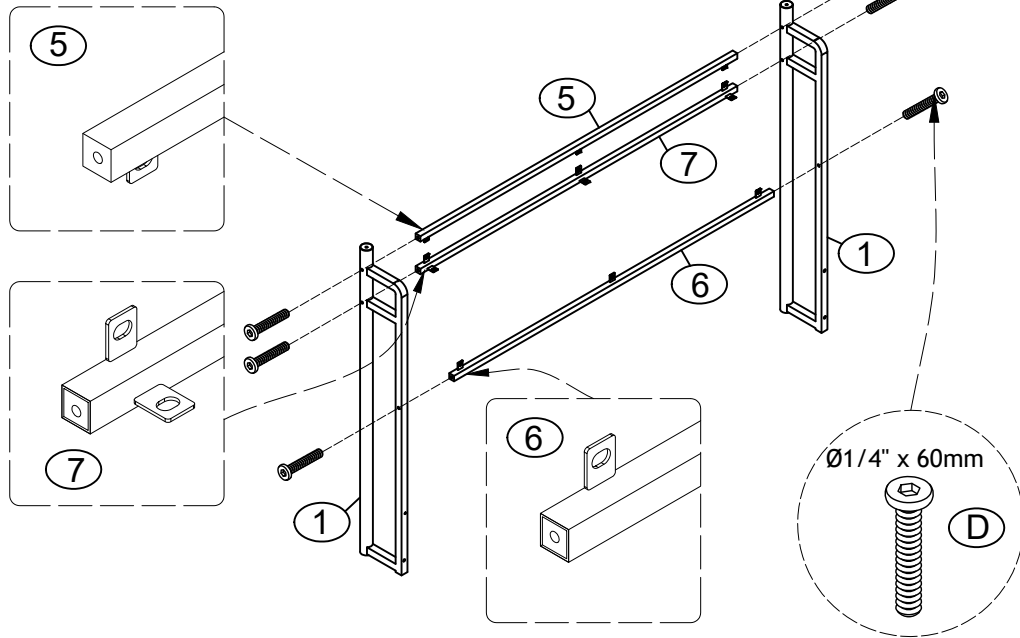
Ø1/4" x 60mm

(D) 6PCS

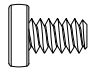


M4

(G) 1PC

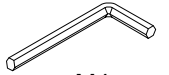


## STEP 2



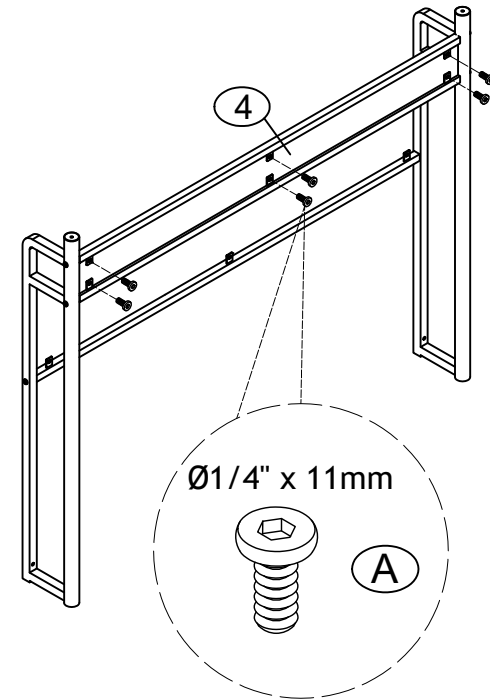
Ø1/4" x 11mm

(A) 6PCS



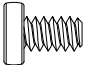
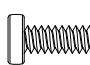

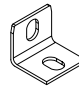
M4

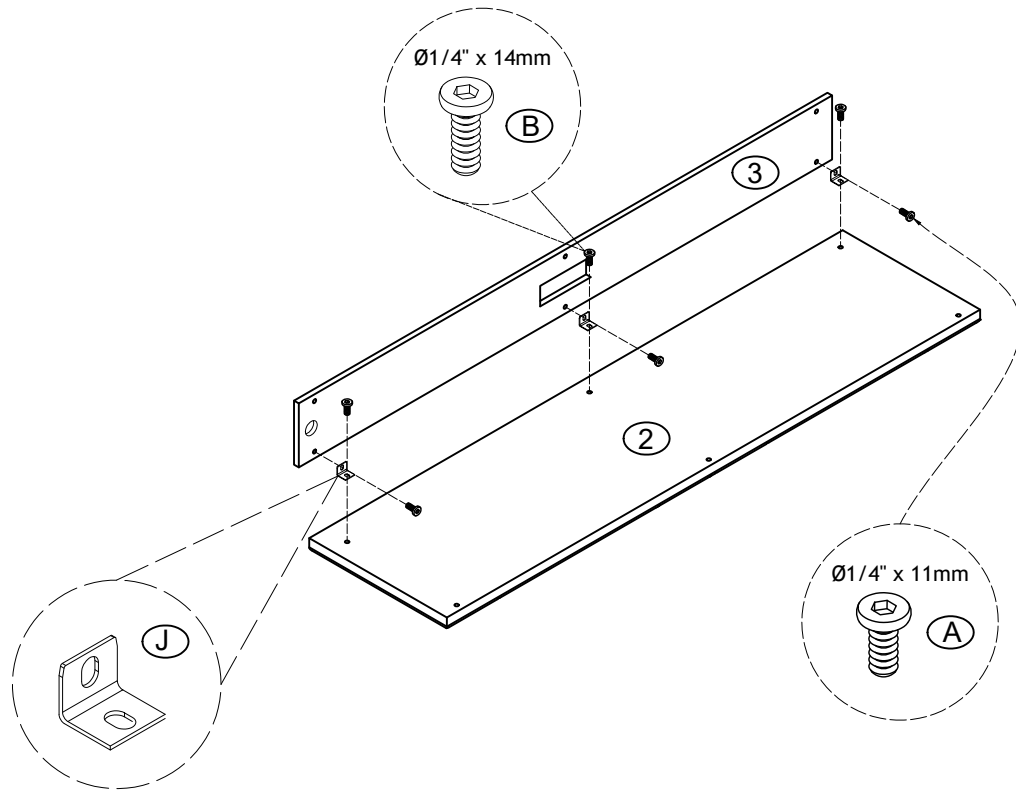
(G) 1PC



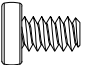
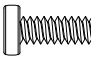

# Montageanleitung für Bettgestell I

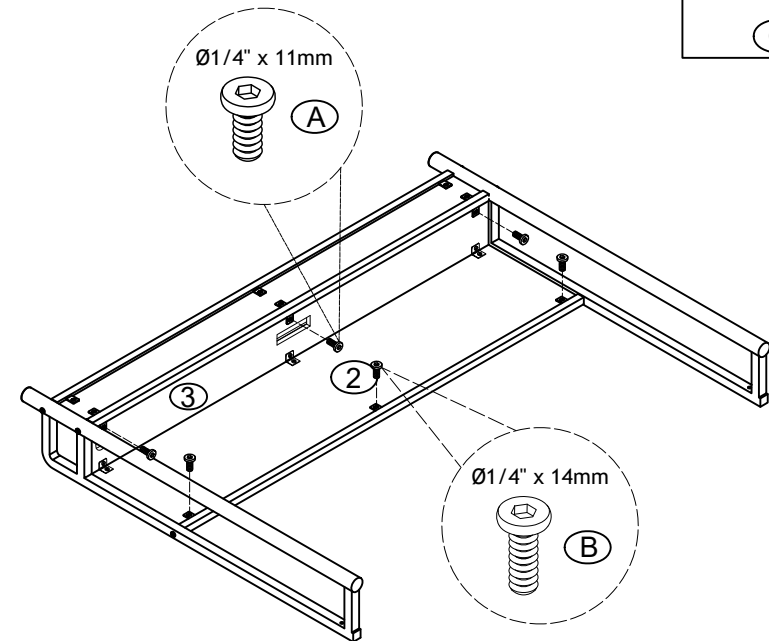
## STEP 3

 Ø1/4" x 11mm (A) 3PCS	 Ø1/4" x 14mm (B) 3PCS
 M4 (G) 1PC	 (J) 3PCS



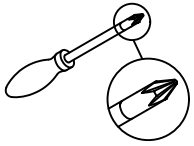
## STEP 4

 Ø1/4" x 11mm (A) 3PCS
 Ø1/4" x 14mm (B) 3PCS
 M4 (G) 1PC



# Montageanleitung für Bettgestell

## STEP 5

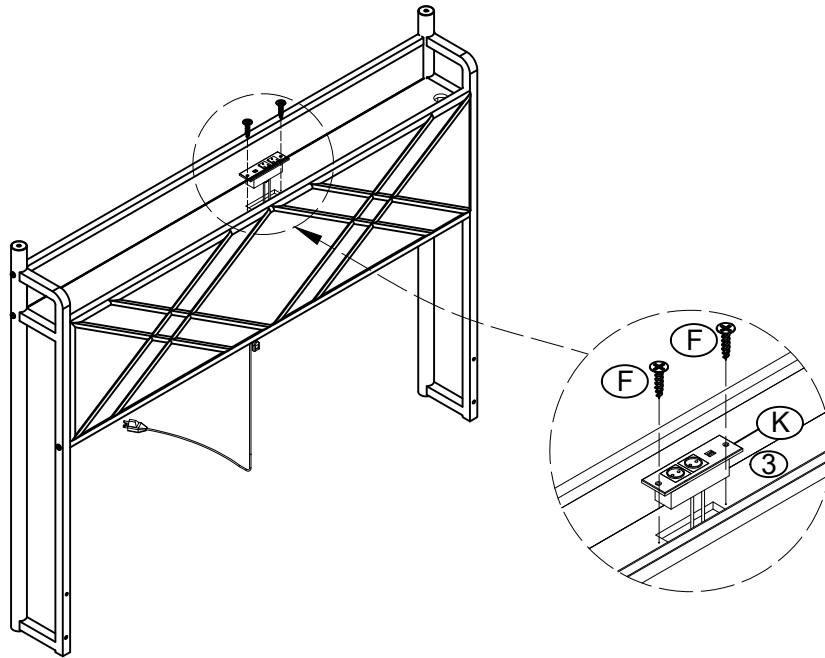


(K) 1PC



Ø3 x 12mm

(F) 2PCS

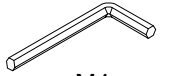


## STEP 6



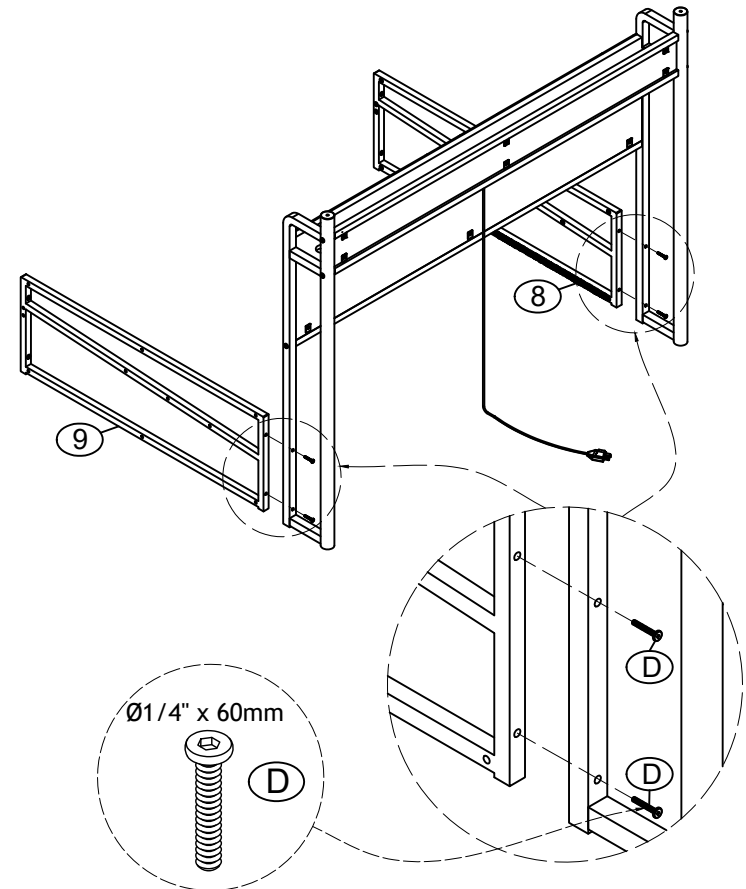
Ø1/4" x 60mm

(D) 4PCS



M4

(G) 1PC

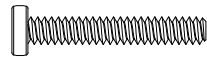


Ø1/4" x 60mm

(D)

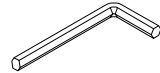
# Montageanleitung für Bettgestell I

## STEP 7



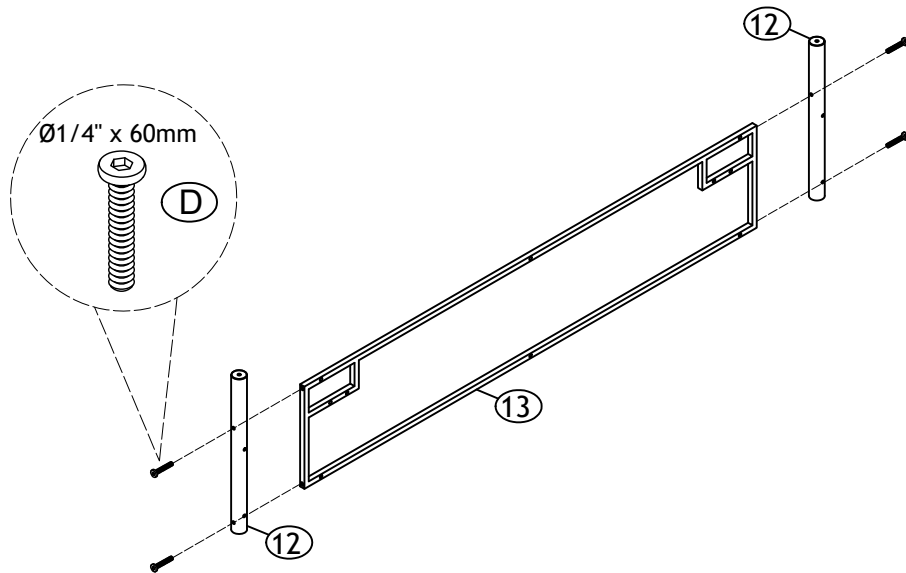
Ø1/4" x 60mm

(D) 4PCS



M4

(G) 1PC

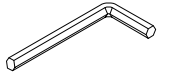


## STEP 8



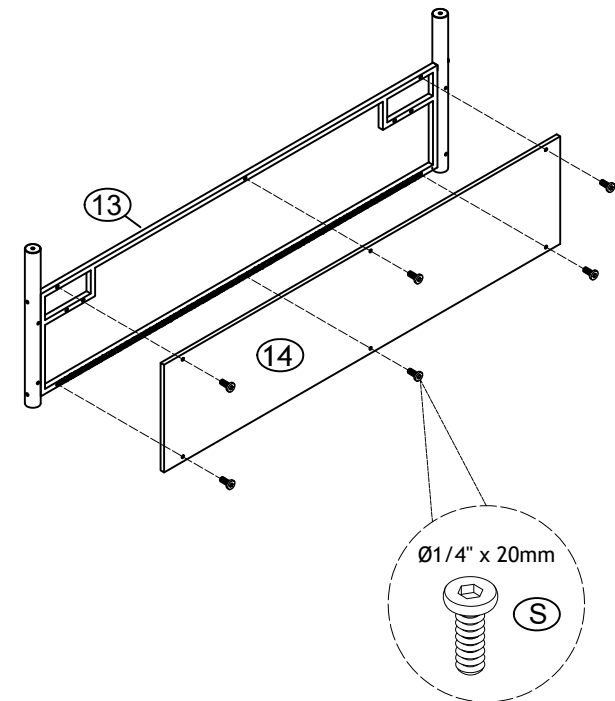
Ø1/4" x 20mm

(S) 6PCS



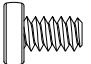
M4

(G) 1PC

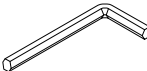


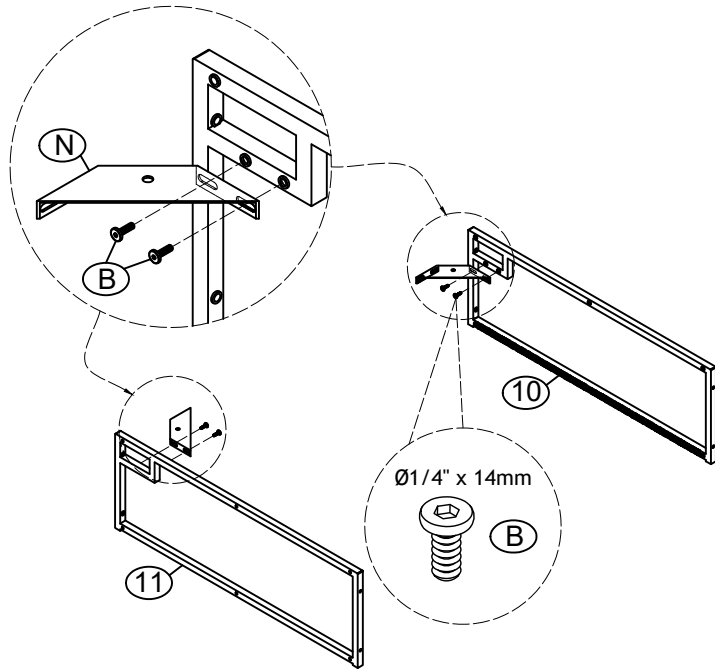
# Montageanleitung für Bettgestell I

STEP 9


  
 Ø1/4" x 14mm  
 (B) 4PCS

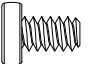
  
 (N) 2PCS

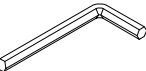
  
 M4  
 (G) 1PC

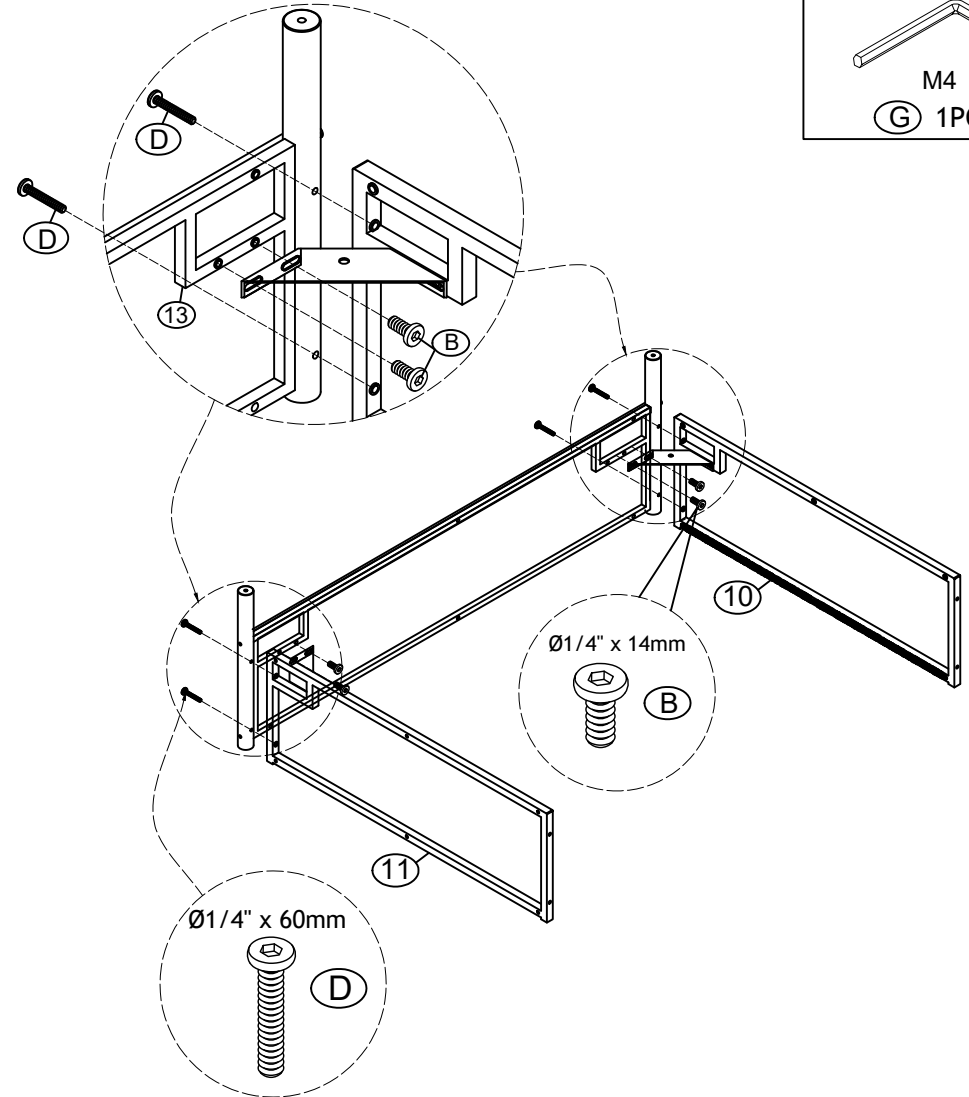


STEP 10

  
 Ø1/4" x 60mm  
 (D) 4PCS

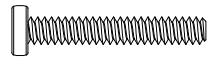
  
 Ø1/4" x 14mm  
 (B) 4PCS

  
 M4  
 (G) 1PC



# Montageanleitung für Bettgestell I

## STEP 11



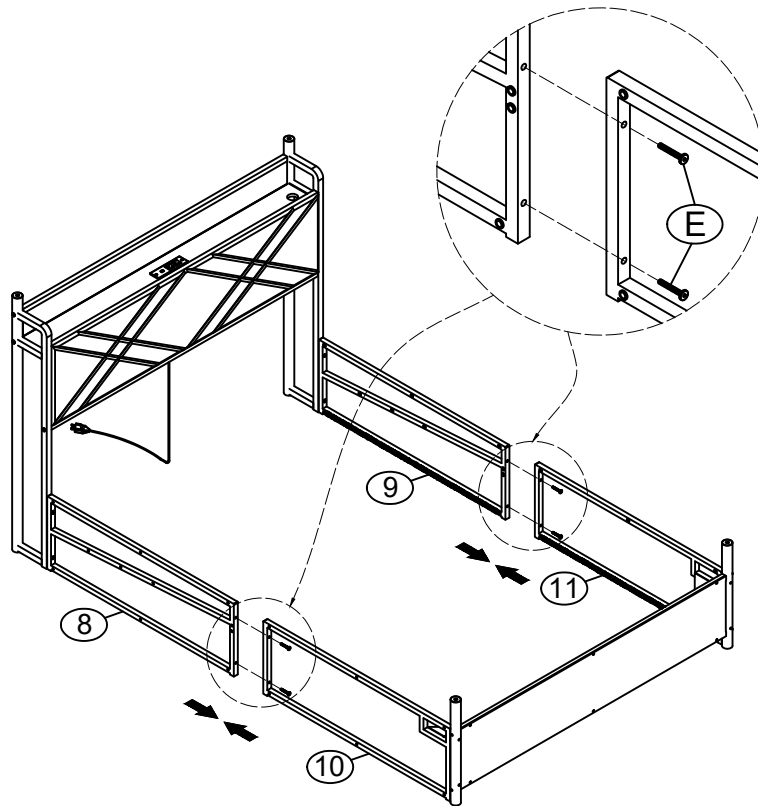
Ø1/4" x 50mm

(E) 4PCS



M4

(G) 1PC



## STEP 12



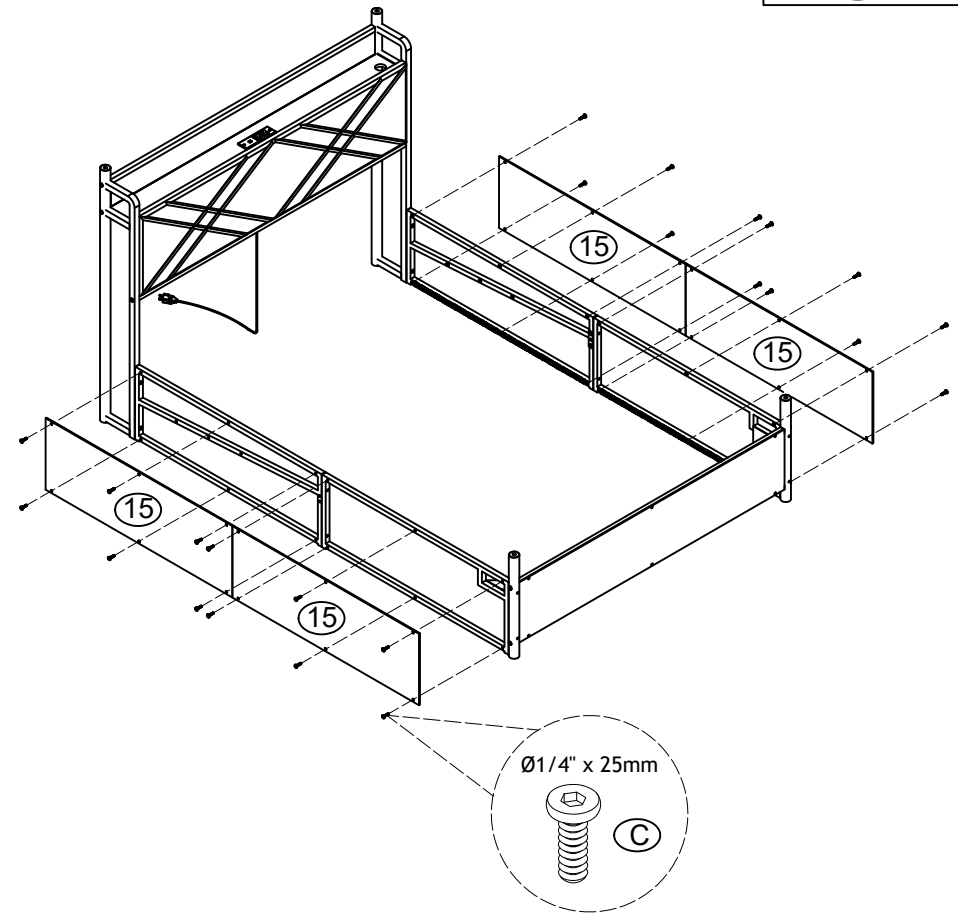
Ø1/4" x 25mm

(C) 24PCS



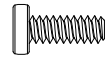
M4

(G) 1PC



# Montageanleitung für Bettgestell I

STEP 13



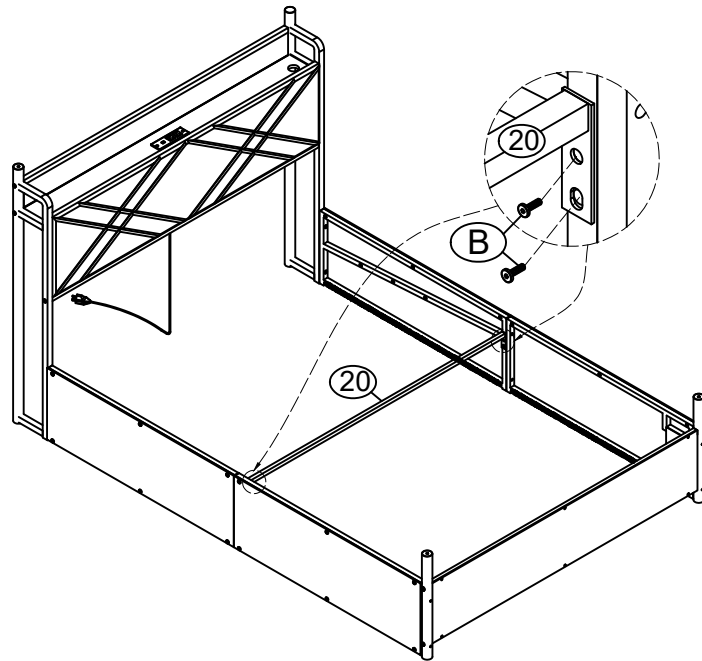
Ø1/4" x 14mm

(B) 4PCS

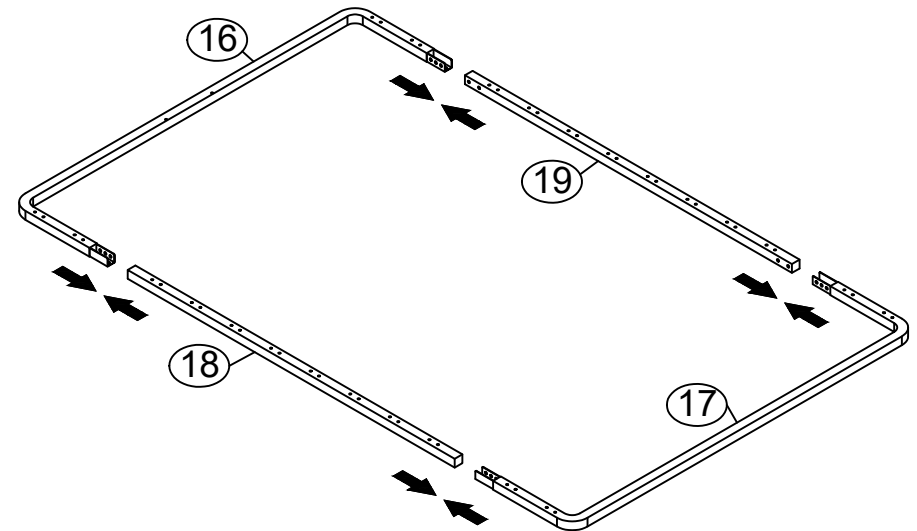


M4

(G) 1PC

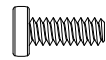


STEP 14



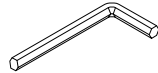
# Montageanleitung für Bettgestell I

STEP 15



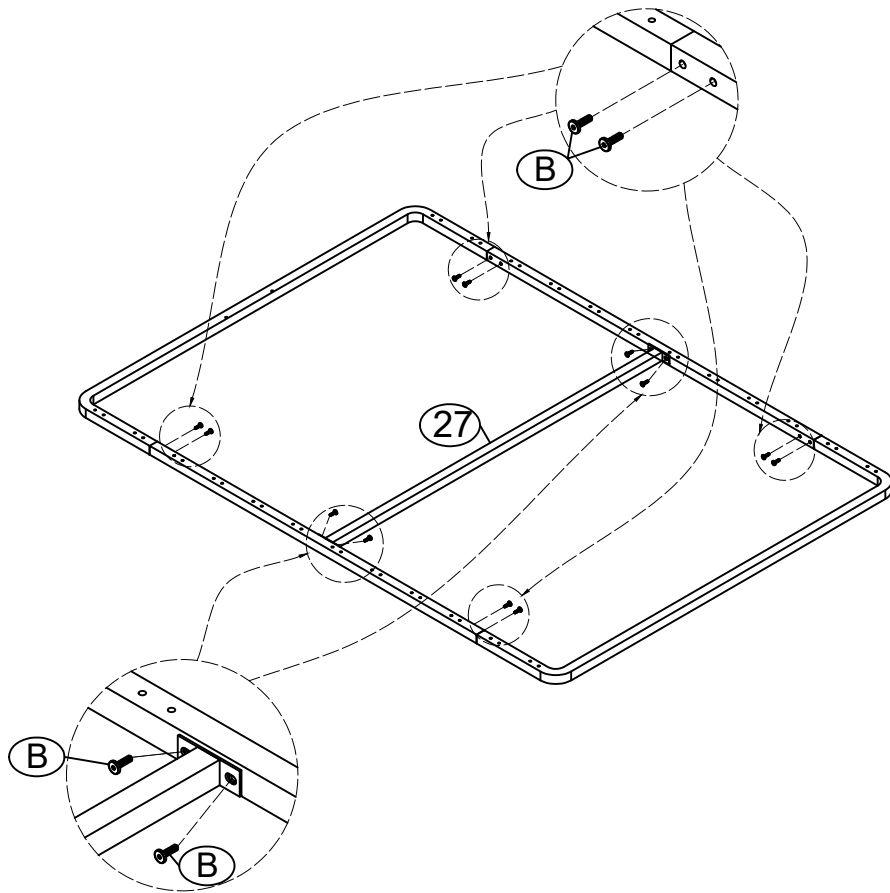
Ø1/4" x 14mm

(B) 12PCS

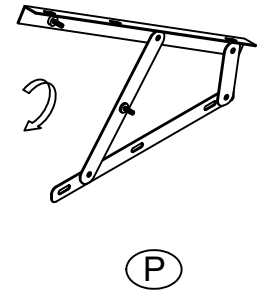
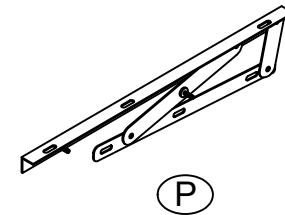
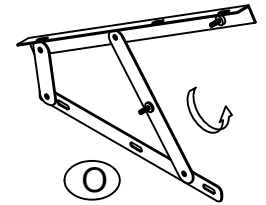
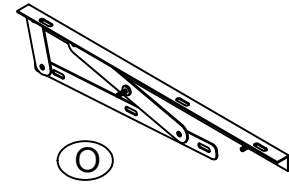


M4

(G) 1PC

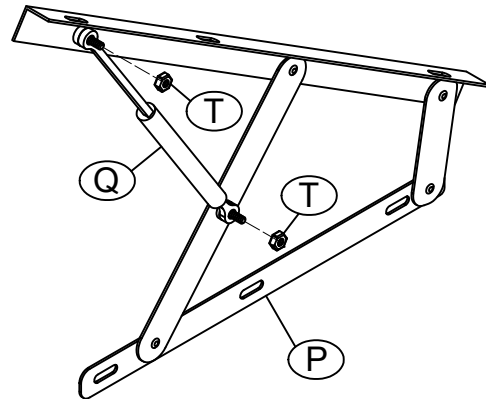
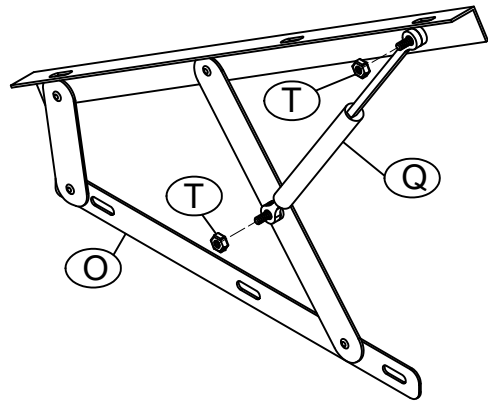


STEP 16



# Montageanleitung für Bettgestell I

STEP 17

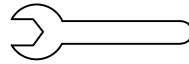


⊙ 2PCS



M8

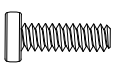
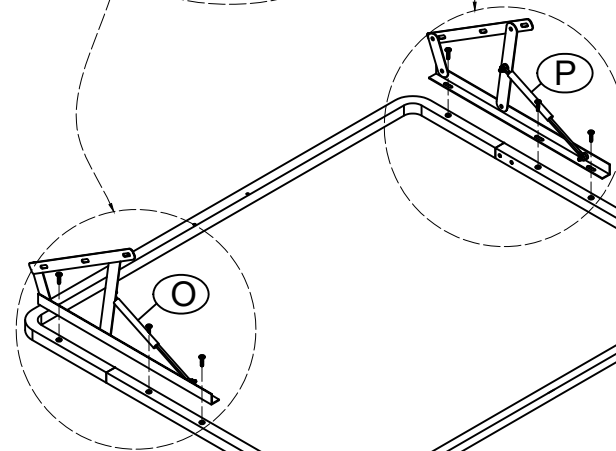
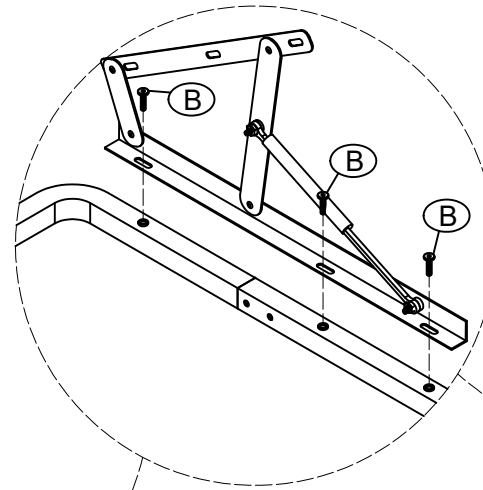
⊙ 4PCS



M8

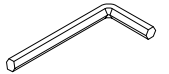
⊙ 1PC

STEP 18



Ø1/4" x 14mm

⊙ 6PCS

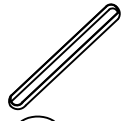
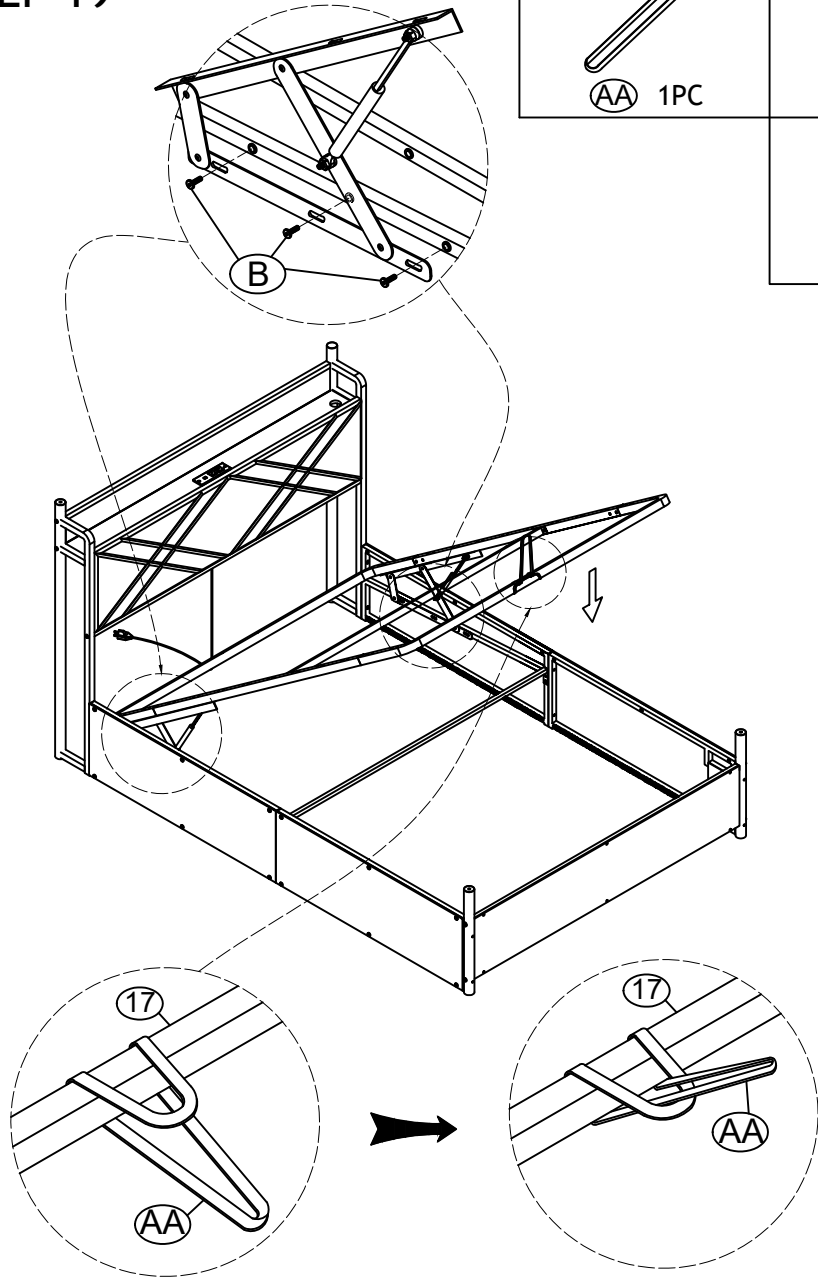


M4

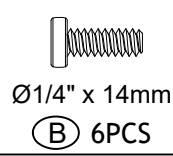
⊙ 1PC

# Montageanleitung für Bettgestell I

STEP 19



AA 1PC

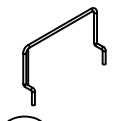
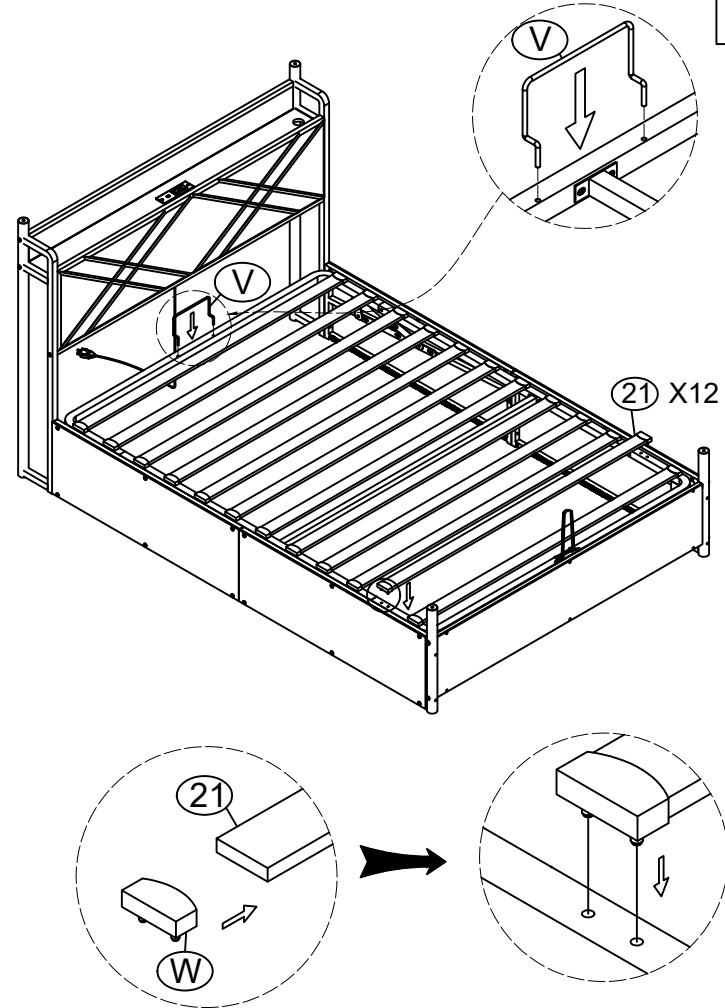


Ø1/4" x 14mm  
B 6PCS



M4  
G 1PC

STEP 20



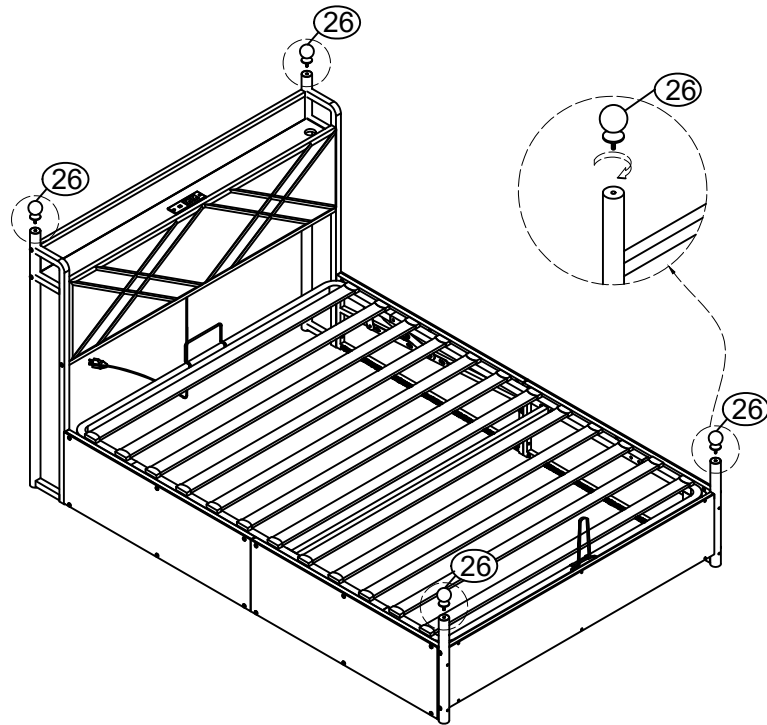
V 1PC



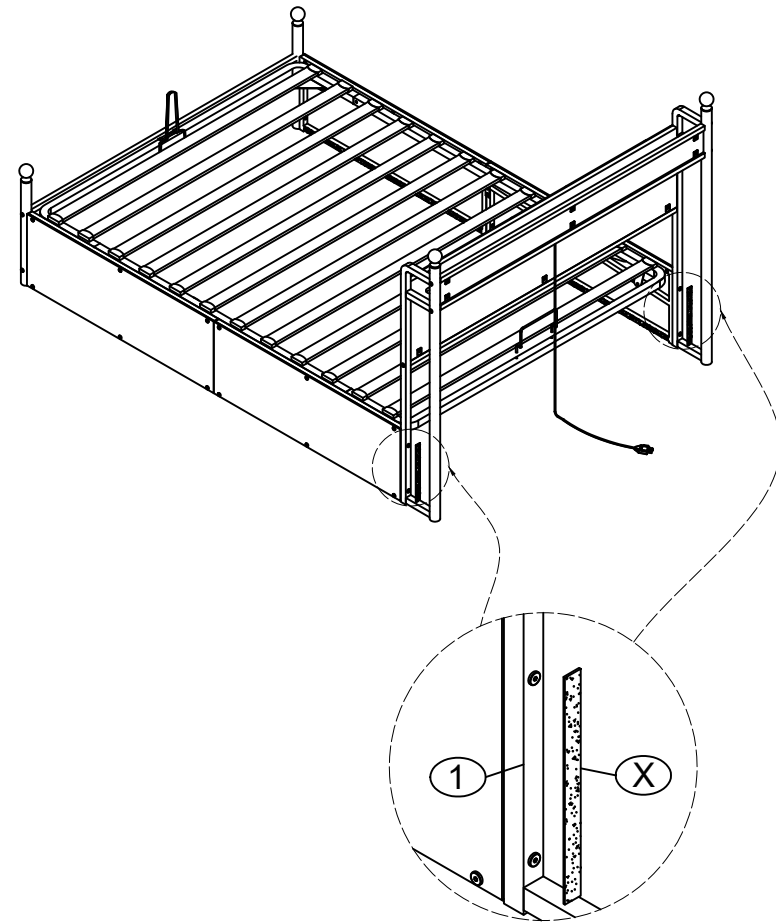
W 24PCS

# Montageanleitung für Bettgestell

STEP 21

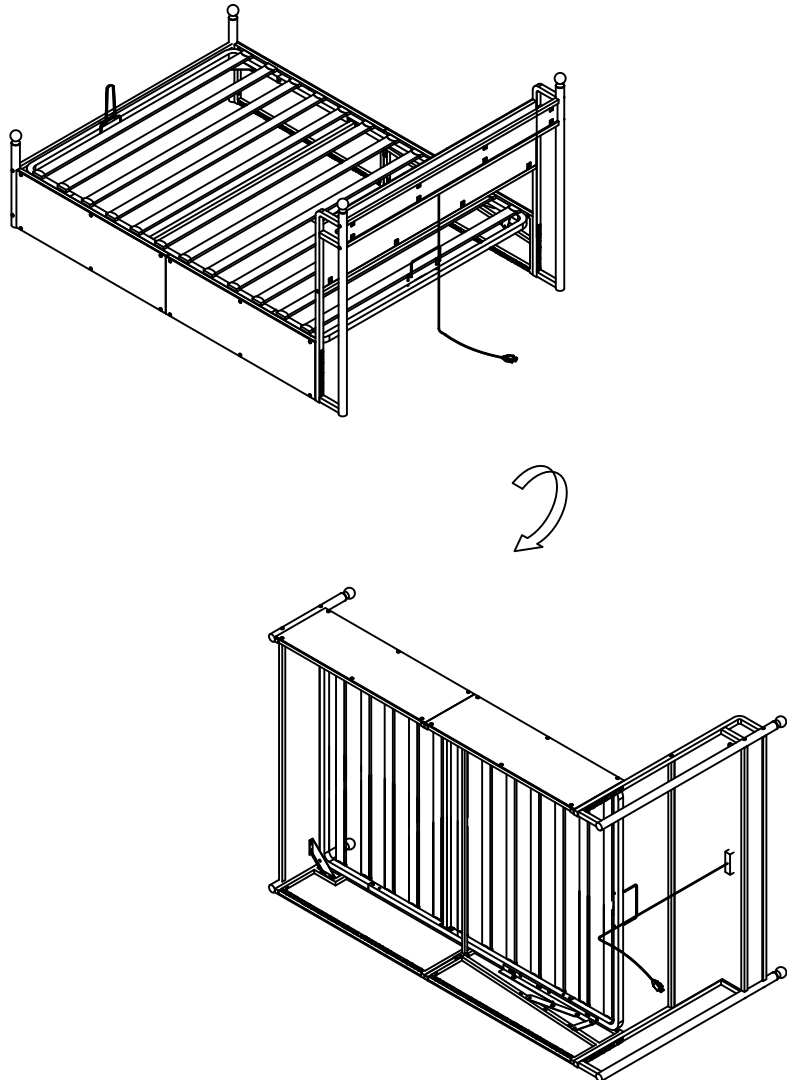


STEP 22

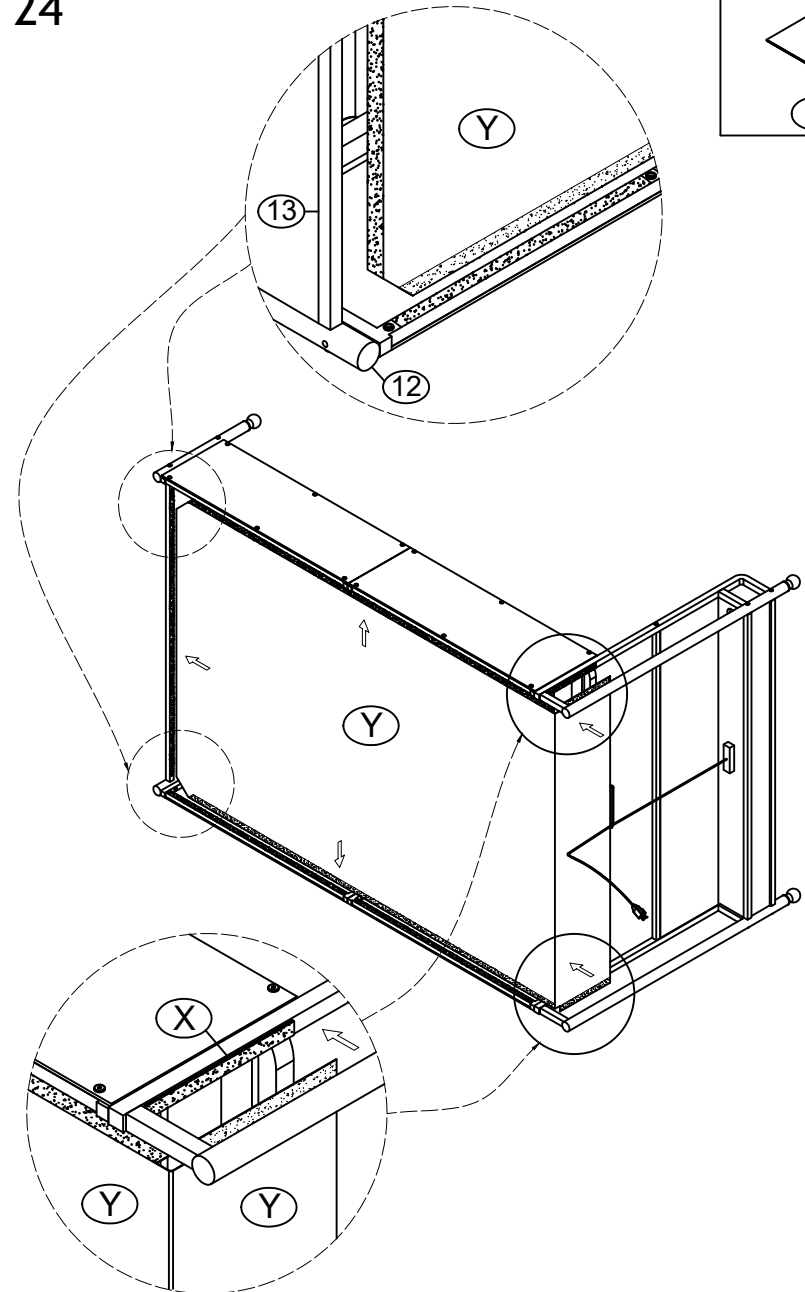


# Montageanleitung für Bettgestell I

STEP 23

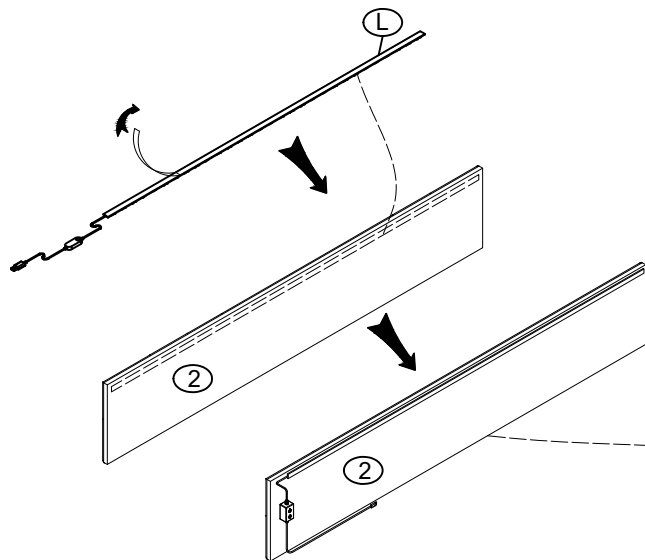


STEP 24



# Montageanleitung für Bettgestell I

## STEP 25



English: Place the LED tape on the back of Board 2 as shown.

Français: Placez le ruban LED à l'arrière de la carte 2 comme indiqué.

Deutsch: Platzieren Sie das LED-Band wie abgebildet auf der Rückseite von Platine 2.

Español: Coloque la cinta LED en la parte posterior del tablero 2 como se muestra.

Italiano: Posizionare il nastro LED sul retro della scheda 2 come mostrato.

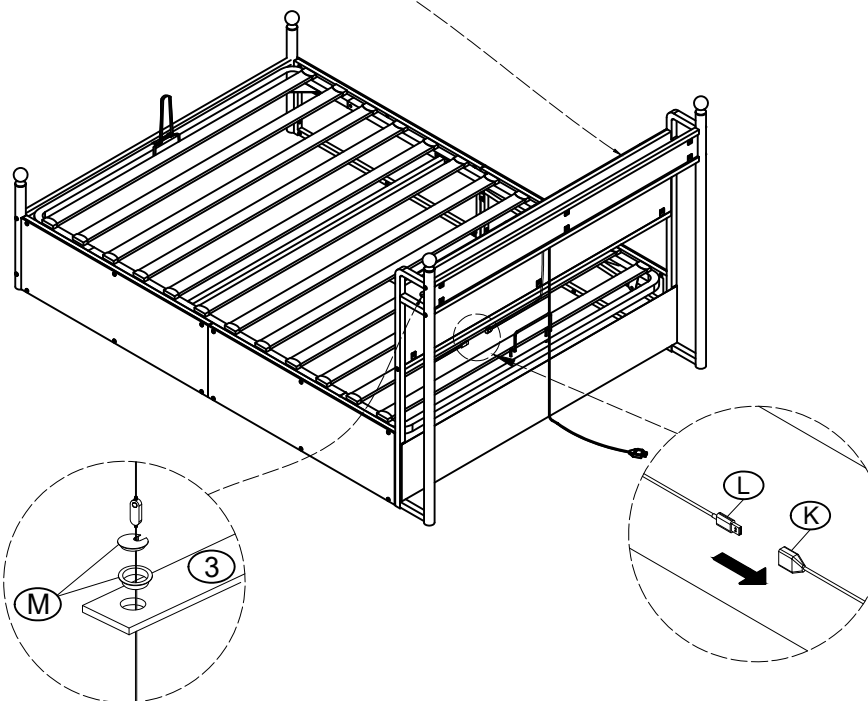
English: The LED switch can be freely placed on or hidden under the board.

Français: L'interrupteur LED peut être placé librement sur le tableau ou caché sous le tableau.

Deutsch: Der LED-Schalter kann frei auf der Platine platziert oder unter der Platine versteckt werden.

Español: El interruptor LED se puede colocar libremente en la placa u ocultarse debajo de la placa.

Italiano: L'interruttore LED può essere posizionato liberamente sulla scheda o nascosto sotto la scheda.



English: Connect LED strip usb and interface of socket.

Français: Connectez la bande LED, l'USB et l'interface de prise.

Deutsch: Schließen Sie den LED-Streifen, die USB- und die Steckdosenschnittstelle an.

Español: Conecte la tira de LED USB y la interfaz de enchufe.

Italiano: Collegare l'interfaccia USB e presa della striscia LED.



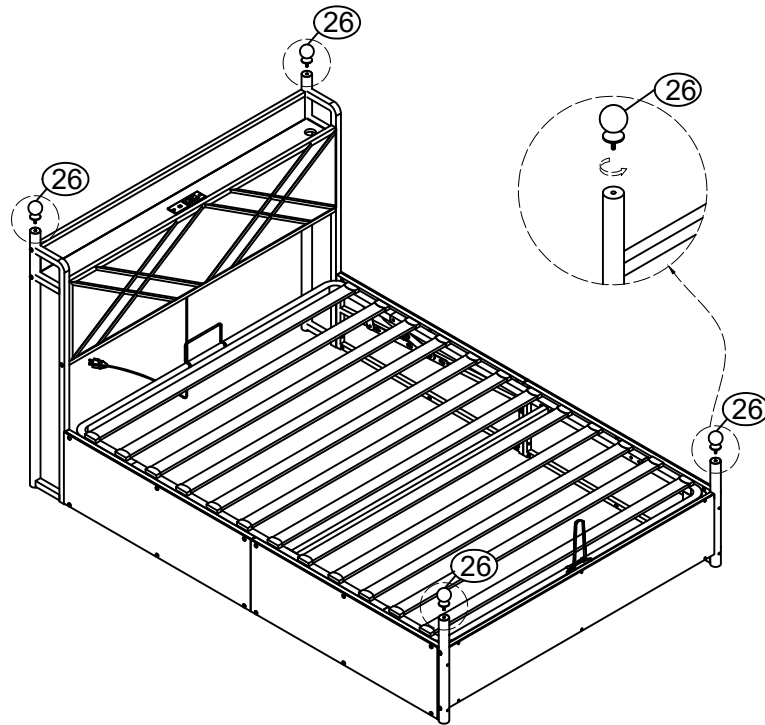
L 1PC




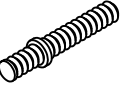
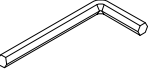

M 1PC

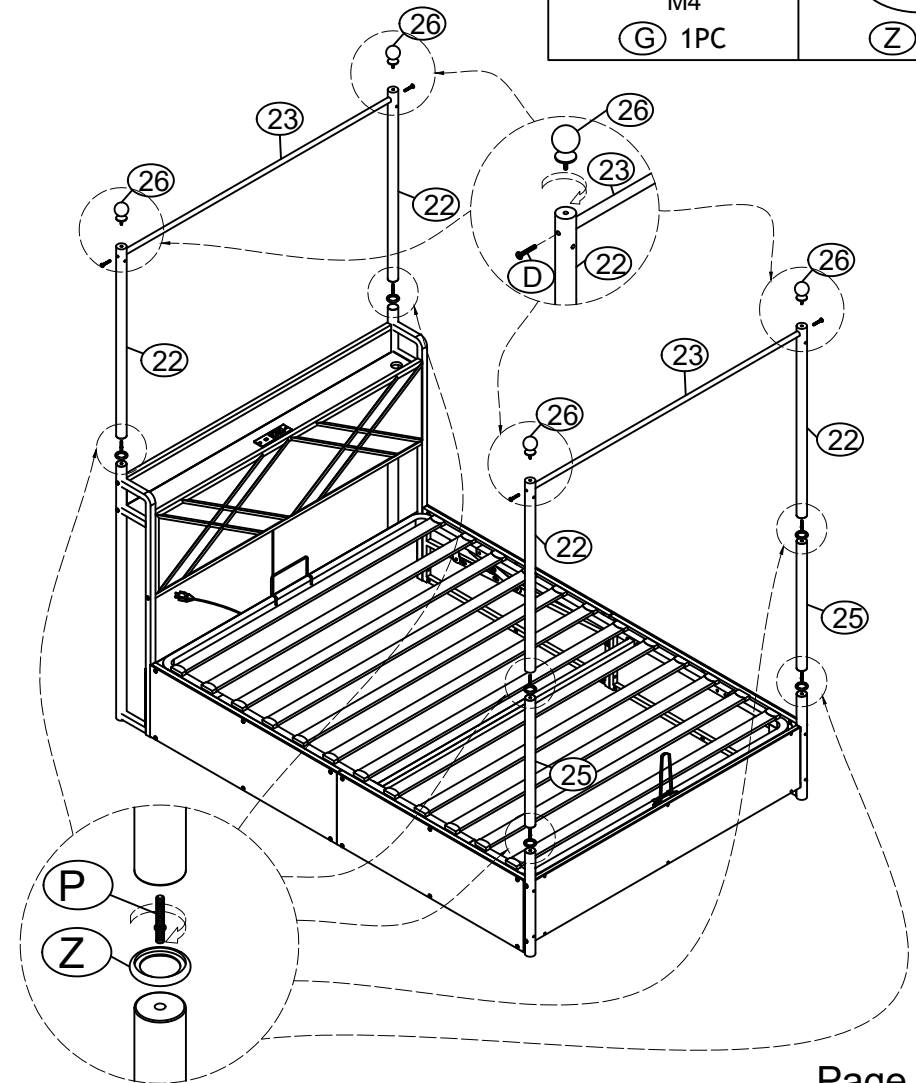
# Montageanleitung für Bettgestell I

STEP 26



STEP 27

 Ø1/4" x 60mm D 4PCS	 P 6PCS
 M4 G 1PC	 Z 6PCS



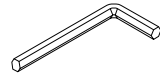
# Montageanleitung für Bettgestell I

STEP 28



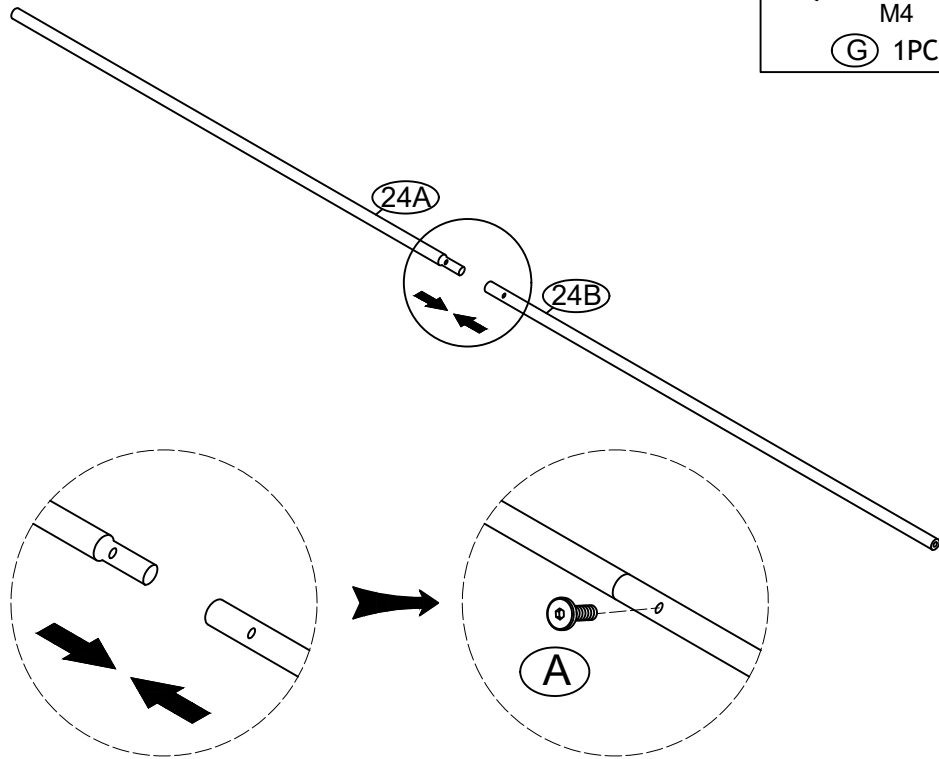
Ø1/4" x 11mm

(A) 2PCS



M4

(G) 1PC



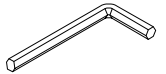
x 2

STEP 29



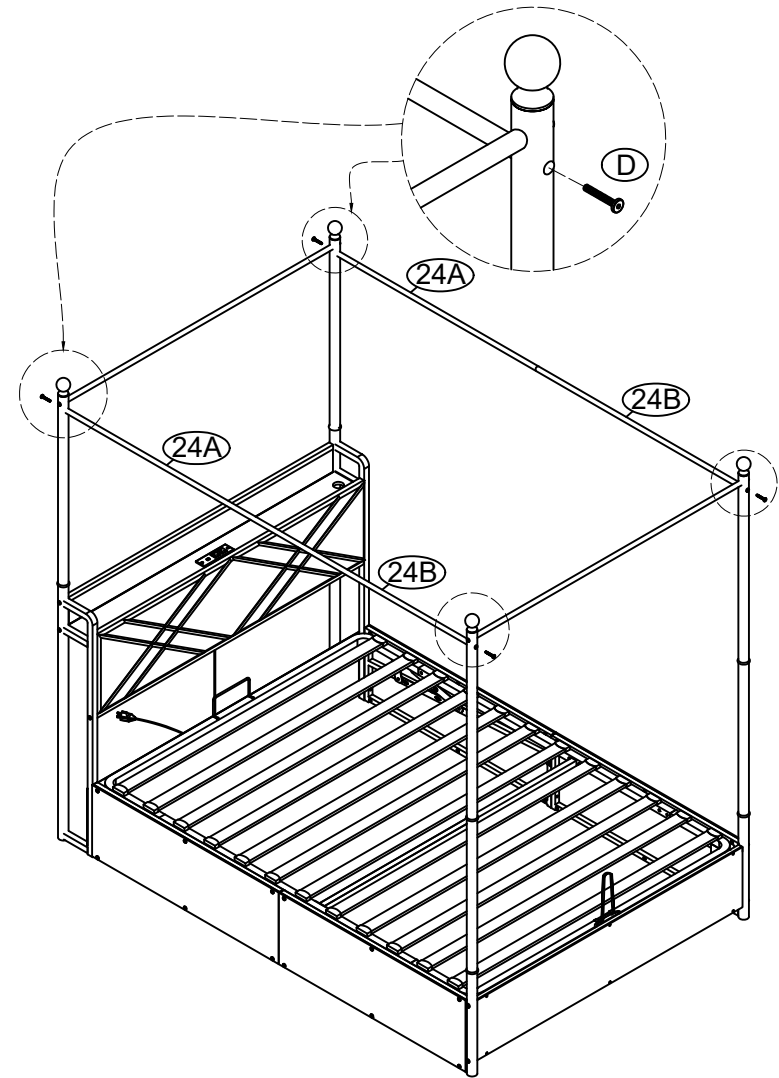
Ø1/4" x 60mm

(D) 4PCS



M4

(G) 1PC



# Verification of Compliance

**Verification No.:** MK23020083-P01E01

**Name and address of Applicant:**  
Shenzhen HONGZHENG Technology Co., LTD  
Shenzhen baoan district rock street industrial science and technology industrial park of 2 Haitian lanyu 3 5 floor of A

**Name and address of Manufacturer:**  
Shenzhen HONGZHENG Technology Co., LTD  
Shenzhen baoan district rock street industrial science and technology industrial park of 2 Haitian lanyu 3 5 floor of A

**Product name:** Lamp strip  
**Rated:** 5V  $\overline{\text{=}}$  1A  
**Product model(s):** HZY-2835-120D-12V, HZY-2835-30D-5V, HZY-2835-60D-5V, HZY-2835-120D-5V, HZY-2835-60D-12V, HZY-2835-60D-24V, HZY-2835-120D-24V, HZY-2835RGB-60D-5V, HZY-2835RGB-60D-12V, HZY-5050-30D-5V, HZY-5050-60D-5V, HZY-5050-30D-12V, HZY-5050-60D-12V, HZY-5050-60D-24V, HZY-5050RGB-30D-5V, HZY-5050RGB-60D-5V, HZY-5050RGB-30D-12V, HZY-5050RGB-60D-12V, HZY-5050RGB-60D-24V

**Product trademark:** N/A

This verification confirms that the product meets the requirements of the following standard.  
The conformity was demonstrated based on following standard(s) listed by European Commission as harmonized with EMC Directive 2014/30/EU.

EN IEC 55015:2019+A11:2020  
IEC 61547:2020

*The verification has been carried out in accordance with individual rules and conditions agreed with the applicant. Evaluation has been carried out in accordance with:*

**Test report(s) No.:** MK23020083-P01E01  
**Test conducted by:** TMC Testing Services (Shenzhen) Co., Ltd.  
**Verification issue date:** February 25, 2023

**Notes:**  
*This verification refers to the above mentioned product and its conformity in regards of above mentioned standard(s) was proven on test sample.*

*This verification does not imply meeting all essential requirements, assessment of the series-production or any other restricted Notified Bodies conformity assessment procedure appropriate for the product.*

*This verification holder shall use this verification in connection to verification of conformity and technical data relevant for the product the verification was issued.*

**TMC Testing Services (Shenzhen) Co., Ltd.**

t:86-755-866642861 cert@tmc-lab.com www.tmc-lab.com

1st Floor, Block A1, Zone A, Xinshidai Gongrong Industrial Park, No. 2, Shihuan Road, Shiyuan Street, Baoan District, Shenzhen, China



# Certificate of Conformity

No.: LP24060215C01-01

The following products have been tested by us with the listed standards and found in compliance with the council EMC directive 2014/30/EU. It is demonstrative for the compliance with this EMC Directive.

**Applicant** : Dongguan Yali Electric Appliance Co.,Ltd  
**Address** : 8 / F, Building 9, No. 6, Yuyuan 4th Road, Yuyuan Industrial Zone, Huangjiang Town, Dongguan City, Guangdong Province  
**Product** : Strip power supply  
**Model No.** : YL-SKCE-901, YL-SKCE-902, YL-SKCE-903, YL-SKCE-905, YL-SKCE-906, YL-SKCE-907, YL-SKCE-908, YL-SKCE-909, YL-SKCE-901A, YL-SKCE-902A, YL-SKCE-903A, YL-SKCE-905A, YL-SKCE-906A, YL-SKCE-907A, YL-SKCE-908A, YL-SKCE-909A  
**Test Standards** : EN 55032:2015+A11:2020+A1:2020  
EN 55035:2017+A11:2020  
EN IEC 61000-3-2:2019+A1:2021  
EN 61000-3-3:2013+A1:2019+A2:2021

# CE

The CE marking may be used if all relevant and affactive EC Directives/Regulations are complied with.

  
  
**Manager: Frank Shen**  
**Date: October 31, 2024**

**Dongguan Lepont Testing Service Co., Ltd.**

Tel.:86-769-83086888 Fax.:86-769-83096886

Room 102, Building 11, No.7, Houjie Science And Technology Avenue, Houjie, Dongguan, Guangdong, China

The statement is based on a single evaluation of one sample of above mentioned products. It does not imply an assessment of the whole production and does not permit the use of the test lab's logo.



# Attestation of Conformity

No. N8A 129388 0002 Rev. 00

**Holder of Attestation:** Dongguan Yali Electric  
Appliance Co., Ltd.

8/F, Building 9, No. 6, Yuyuan 4th Road  
Yuyuan Industrial Zone, Huangjiang Town  
523750 Dongguan City, Guangdong Province  
PEOPLE'S REPUBLIC OF CHINA

**Product:** Socket-outlets

This Attestation of Conformity is issued on a voluntary basis according to the Low Voltage Directive 2014/35/EU relating to electrical equipment designed for use within certain voltage limits. It confirms that the listed equipment complies with the principal protection requirements of the directive and is based on the technical specifications applicable at the time of issuance. It refers only to the particular sample submitted for conformity assessment. For details see: [www.tuvsud.com/ps-cert](http://www.tuvsud.com/ps-cert)

**Test report no.:** 6810024020601

**Date,** 2024-12-04

  
( Michael Xu )

Page 1 of 2

This Attestation does not replace the regulatory EU Declaration of Conformity (DoC) and does not allow for CE marking. After preparation of the necessary documentation and establishing compliance to requirements of all applicable directives, the manufacturer may sign a DoC and apply the CE marking. The DoC is issued under the sole responsibility of the manufacturer.

# Attestation of Conformity

No. N8A 129388 0002 Rev. 00



Product Service

## Model(s):

YL-SKCE-901, YL-SKCE-901A, YL-SKCE-901A-PD20W,  
YL-SKCE-902, YL-SKCE-902A, YL-SKCE-902A-PD20W,  
YL-SKCE-903, YL-SKCE-903A, YL-SKCE-903A-PD20W,  
YL-SKCE-905, YL-SKCE-905A, YL-SKCE-905A-PD20W,  
YL-SKCE-906, YL-SKCE-906A, YL-SKCE-906A-PD20W,  
YL-SKCE-907, YL-SKCE-907A, YL-SKCE-907A-PD20W,  
YL-SKCE-908, YL-SKCE-908A, YL-SKCE-908A-PD20W,  
YL-SKCE-909, YL-SKCE-909A, YL-SKCE-909A-PD20W

## Parameters:

Rated voltage: 250Vac  
Rated frequency: 50/60Hz  
Rated current: 16A  
Protection class: I  
Degree of protection: IP20  
Type of cable: H05VV-F 3G1.5mm<sup>2</sup>

## Tested according to:






DIN VDE 0620-1:2021  
DIN VDE 0620-2-1:2021/A1:2023

## Page 2 of 2

This Attestation does not replace the regulatory EU Declaration of Conformity (DoC) and does not allow for CE marking. After preparation of the necessary documentation and establishing compliance to requirements of all applicable directives, the manufacturer may sign a DoC and apply the CE marking. The DoC is issued under the sole responsibility of the manufacturer.

<b>Importeur</b>	<b>Decobus Handel GmbH</b>	
<b>Adresse</b>	Innungsstraße 9,21244 Buchholz, Deutschland	
<b>URL</b>	<a href="https://www.decobusgroup.de">https://www.decobusgroup.de</a>	
<b>Hersteller</b>	Dongguan Yali Electric Appliance Co., Ltd	
<b>Adresse</b>	8 / F, Building 9, No. 6, Yuyuan 4th Road, Yuyuan Industrial Zone, Huangjiang Town, Dongguan City, Guangdong Province, China	
<b>Email/URL</b>	<a href="mailto:xbt2019@126.com">xbt2019@126.com</a>	
<b>Partienummer</b>	C265XKS20250603LD	
<b>HERGESTELLT IN</b>	<b>CHINA</b>	
<b>EC REP</b>	Decobus Handel GmbH Innungsstraße 9,21244 Buchholz, Deutschland <a href="https://www.decobusgroup.de">https://www.decobusgroup.de</a>	
 	<b>Product Name: Furniture Power Distribution Unit</b> <b>Model: YL-SKCE-903A</b> <b>Rated voltage: 250Vac</b> <b>Rated frequency: 50/60Hz</b> <b>Power: 20.0W Max</b>	 <div style="border: 1px solid black; padding: 5px;"> <p><b>FR</b> Cet appareil, ses cordons, et batterie se recyclent</p> <p>À DÉPOSER EN MAGASIN  OU À DÉPOSER EN DÉCHÈTERIE </p> <p><small>Points de collecte sur <a href="http://www.quefairedemesdechets.fr">www.quefairedemesdechets.fr</a> Privilégiez la réparation ou le don de votre appareil !</small></p> </div>

<b>Importeur</b>	<b>Decobus Handel GmbH</b>
<b>Adresse</b>	Innungsstraße 9,21244 Buchholz, Deutschland
<b>URL</b>	<a href="https://www.decobusgroup.de">https://www.decobusgroup.de</a>
<b>Hersteller</b>	Shenzhen Hongzhengyu Technology Co., LTD
<b>Adresse</b>	Shenzhen baoan district rock street industrial science and technology industrial park of 2 Haitian lanyu 3 5 floor of A
<b>Email/URL</b>	<a href="mailto:xbt2019@126.com">xbt2019@126.com</a>
<b>Partienummer</b>	C265XKS20250603LD
<b>HERGESTELLT IN</b>	<b>CHINA</b>
<b>EC REP</b>	Decobus Handel GmbH Innungsstraße 9,21244 Buchholz, Deutschland <a href="https://www.decobusgroup.de">https://www.decobusgroup.de</a>

 	<b>Product Name: RGB</b> <b>Model: HZY-5050RGB-60D-5V</b> <b>Rated voltage: DC 5V</b> <b>Rated frequency: 50/60Hz</b> <b>Power: 10.0W/M</b>	 <div style="border: 1px solid black; padding: 5px;"> <p><b>FR</b> Cet appareil, ses cordons, et batterie se recyclent</p> <p>À DÉPOSER EN MAGASIN  OU À DÉPOSER EN DÉCHÈTERIE </p> <p><small>Points de collecte sur <a href="http://www.quefairedemesdechets.fr">www.quefairedemesdechets.fr</a> Privilégiez la réparation ou le don de votre appareil !</small></p> </div>
--	---	---