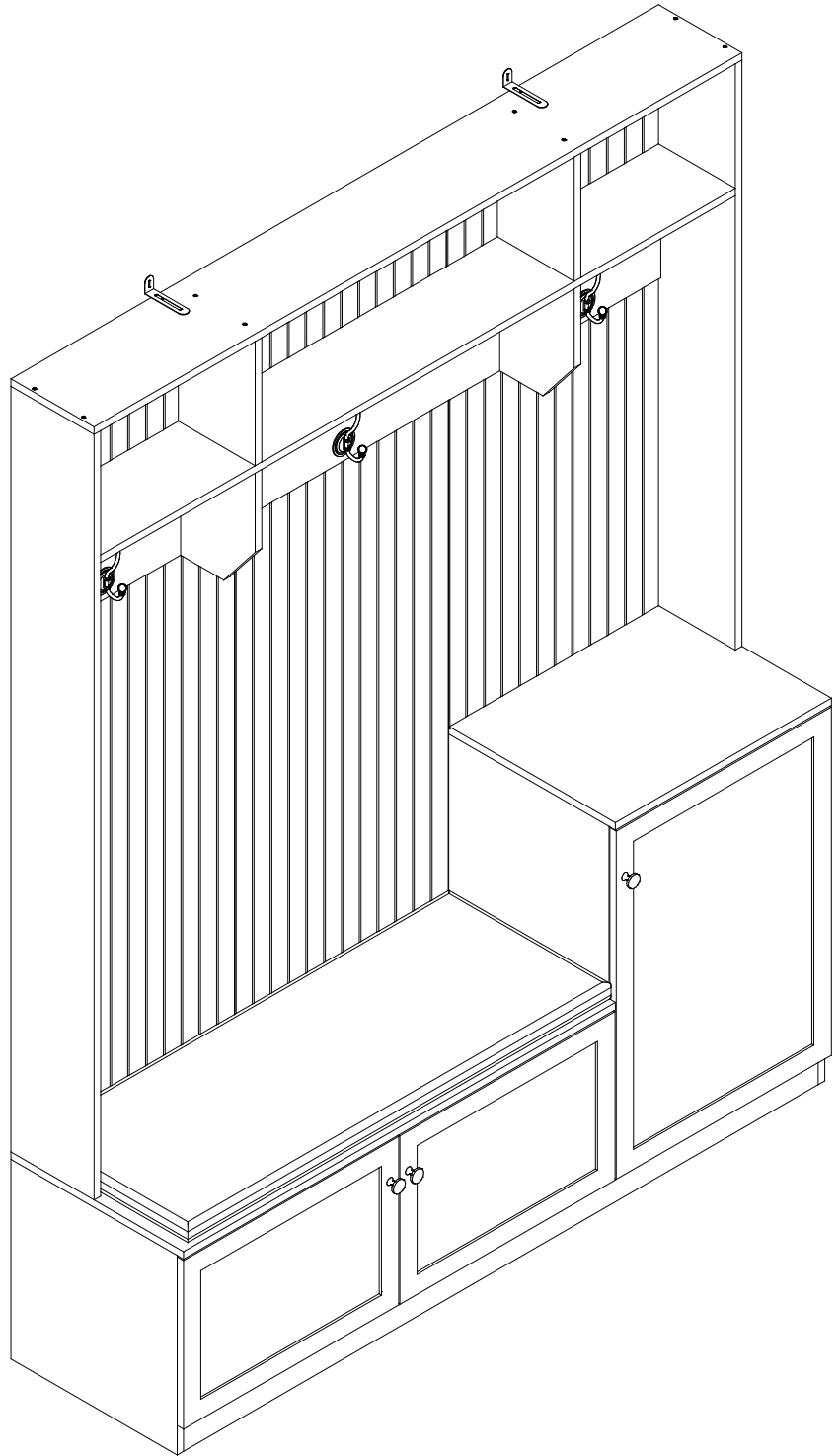


Hall Tree

Assembly Instructions - Please keep for future reference



Dimensions

Width- 59inch

Depth-15.75inch

Height-78.74inch

Important – Please read these instructions fully before starting assembly



Safety and Care Advice

Important – Please read these instructions fully before starting assembly

- Check you have all the components and tools listed on the following pages.
- Remove all fittings from the plastic bags and separate them into their groups.
- Keep children and animals away from the work area, small parts could choke if swallowed.
- Make sure you have enough space to layout the parts before starting.

- During assembly do not stand or put weight on the product, this could cause damage.
- Assemble the item as close to its final position (in the same room) as possible.
- Assemble on a soft level surface to avoid damaging the unit or your floor.
- Parts of the assembly will be easier with 2 people.



power drill is set on a low torque setting.

- To reduce the likelihood of damaging your product please ensure that your

Care and maintenance

- Only clean using a damp cloth and mild detergent, do not use bleach or abrasive cleaners.
- From time to time check that there are no loose screws on this unit.
- This product should not be discarded with household waste. Take to your local authority waste disposal centre.

Handy Hints

- Assemble all parts and bolts loosely during assembly, only once the product is complete should you fully tighten the bolts
- Regularly check and ensure That all bolts and fittings are tightened properly.

WARNING In order to help prevent overturning – please follow these instructions

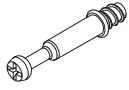


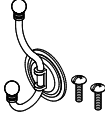
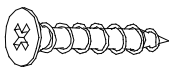



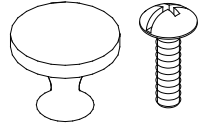
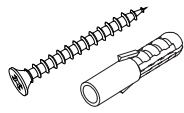

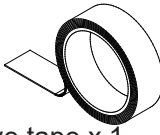
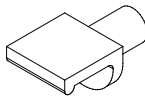
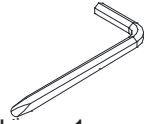
To help prevent product toppling over please follow the below steps:-

- Use the anti tip stap or wall fixing method provided (if applicable)
- Do not allow children to climb or hang on the furniture
- Do not open more than one drawer at a time
- Do not place heavy items in the top drawers
- Do not place heavy items on top of the furniture, unless the furniture has been designed for this purpose

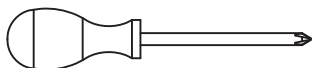
Components - Fittings

Please check you have all the panels listed below

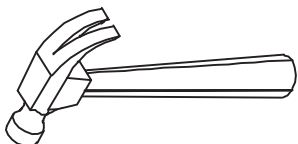
Note: The quantities below are the correct amount to complete the assembly. In some cases more fittings may be supplied than are required.

<p>(A) </p> <p>Cam Bolt x 34+2</p>	<p>(B) </p> <p>6*30mm Dowel x 36+2</p>	<p>(C) </p> <p>Cam lock x 34+2</p>	<p>(D) </p> <p>4*16mm Hook x 3set</p>
<p>(E) </p> <p>4*25mm Screw x 6+1</p>	<p>(F) </p> <p>Anti-tipping x 2set</p>	<p>(G) </p> <p>4*40mm Screw x 18+1</p>	<p>(H) </p> <p>3.5*14mm Hinge x 6set</p>
<p>(I) </p> <p>4*20mm Handle x 3set</p>	<p>(J) </p> <p>Expansion screws x 2set</p>	<p>(K) </p> <p>Perfect fit x 14</p>	<p>(L) </p> <p>adhesive tape x 1</p>
<p>(M) </p> <p>Shelf support pin x 4</p>	<p>(N) </p> <p>Allen key x 1</p>		

Tools required Not Included



Phillips screwdriver
(medium & large)



Using Camlocks

Step 1

Connect the male camlock as directed in the assembly instructions using a screwdriver.

1

DO NOT OVER TIGHTEN.
NE PAS SERRER EXCESSIVEMENT.



Step 2

Push the male camlock into the entry hole.

2

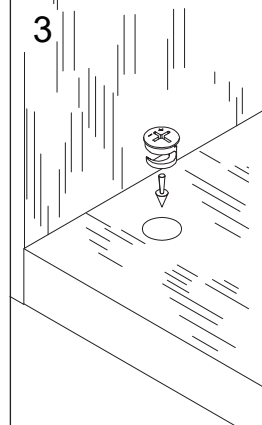


Step 3

Insert the female camlock as shown in the instruction.

Note: ensure that the arrow on the top of the camlock points towards the entry hole for the male camlock.

3



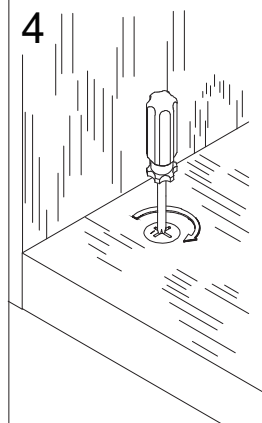
Step 4

Turn the female camlock clockwise with a screwdriver.

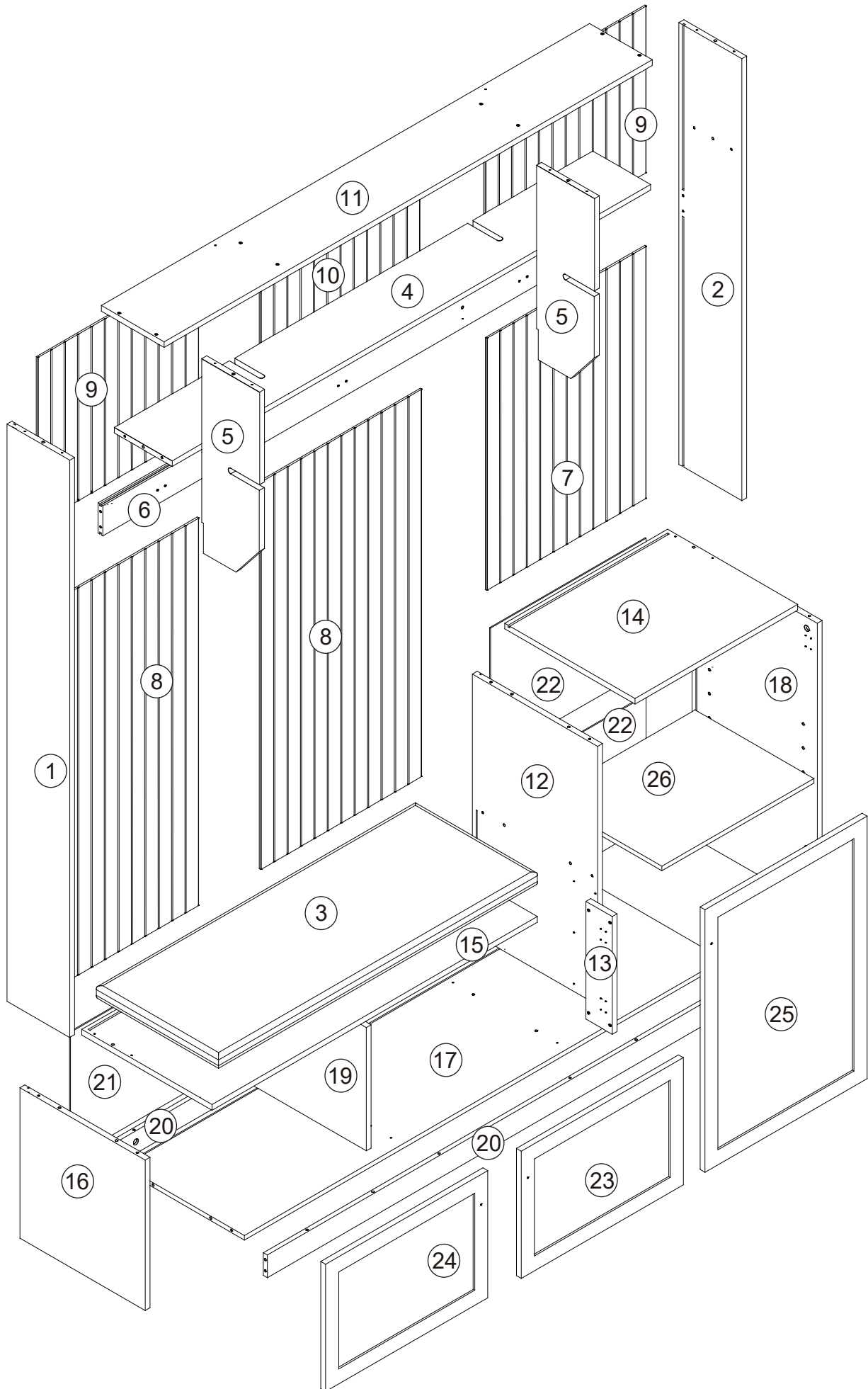
You should feel a click when the camlock is locked in place.

The joint is now secure.

4



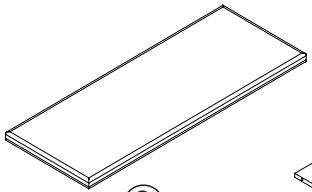
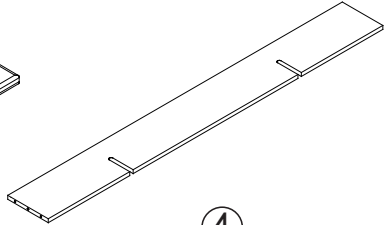
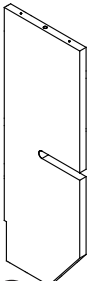
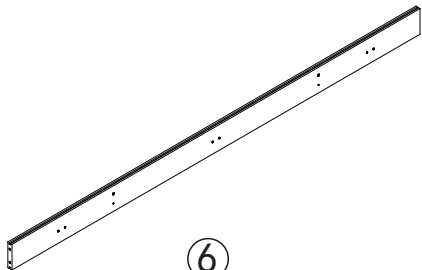
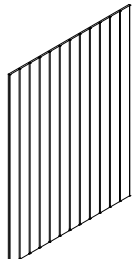
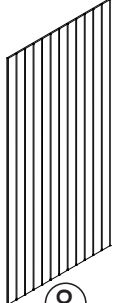
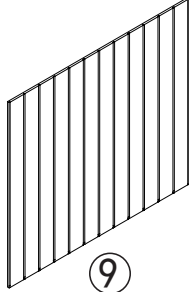
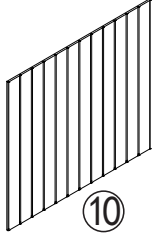
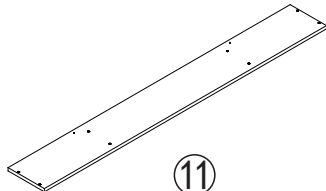
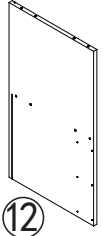

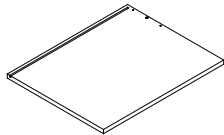
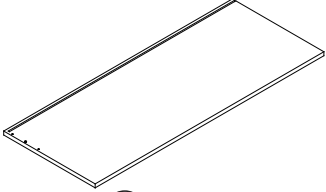
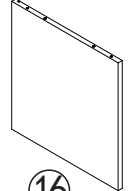
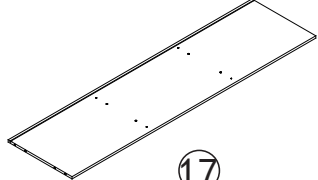
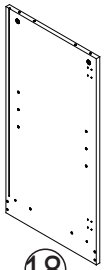
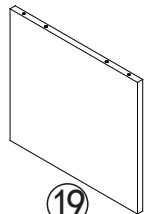


Assembly Instructions

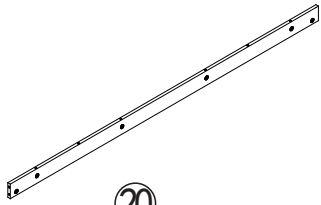


PART LIST

This product comes in 1 box.

 ① x1 1570x193x15mm	 ② x1 1210x193x15mm	 ③ x1 980x375x35mm	 ④ x1 1470x178x15mm	
 ⑤ x2 515x178x15mm	 ⑥ x1 1470x80x15mm	 ⑦ x1 705x490x5mm	 ⑧ x2 1065x495x5mm	 ⑨ x2 495x443x5mm
 ⑩ x1 443x490x5mm	 ⑪ x1 1500x193x15mm	 ⑫ x1 688x385x15mm	 ⑬ x1 313x81x15mm	 ⑭ x1 500x400x15mm
 ⑮ x1 1000x400x15mm	 ⑯ x1 400x385x15mm	 ⑰ x1 1470x385x12mm	 ⑱ x1 760x385x15mm	 ⑲ x1 367x328x15mm

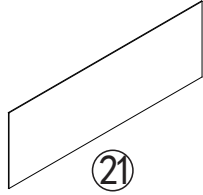
PART LIST



20

x2

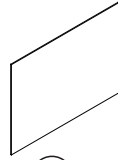
1470x60x12mm



21

x1

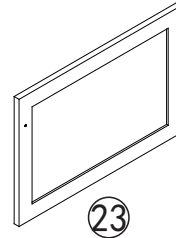
994x336x3mm



22

x2

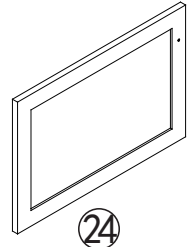
477x347x3mm



23

x1

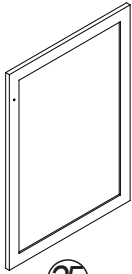
498x338x15mm



24

x1

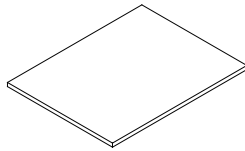
498x338x15mm



25

x1

698x498x15mm



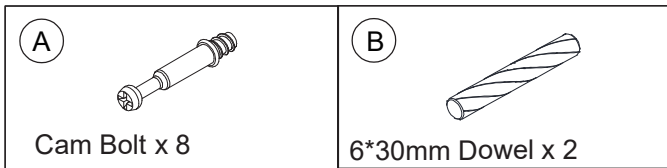
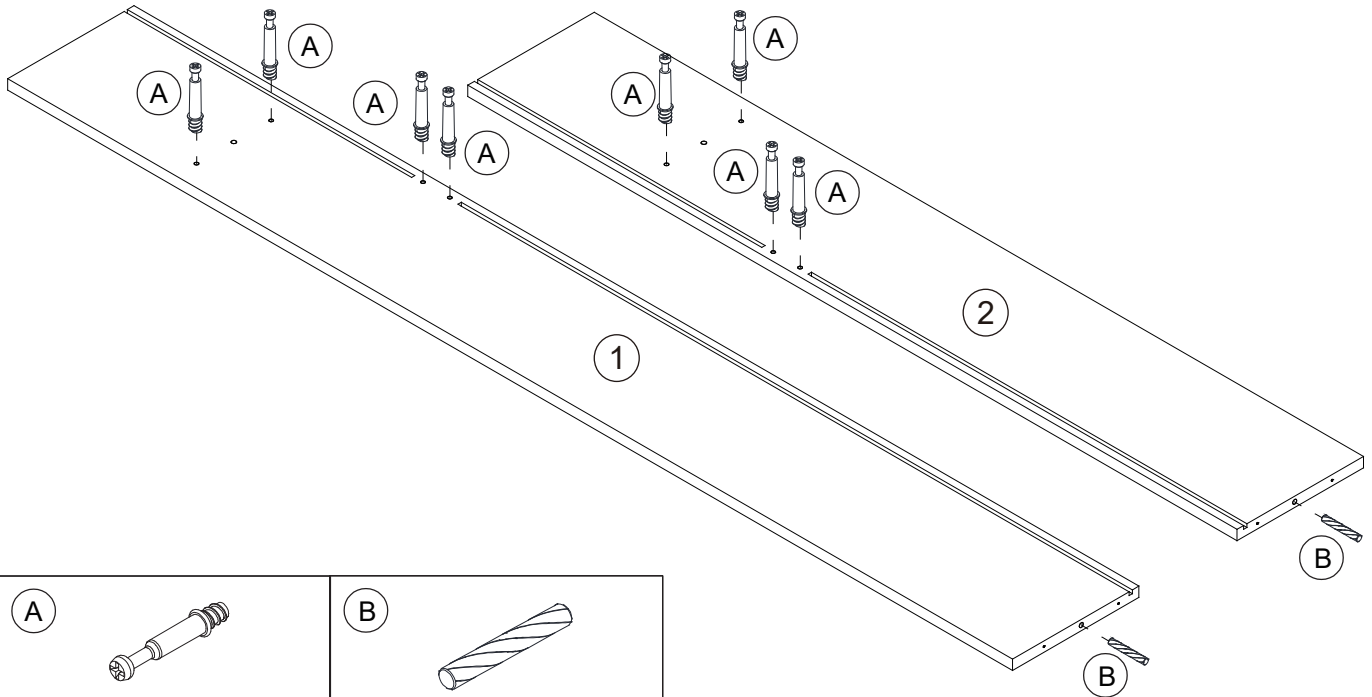
26

x1

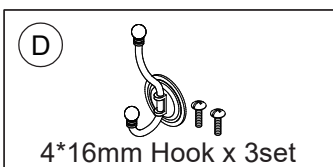
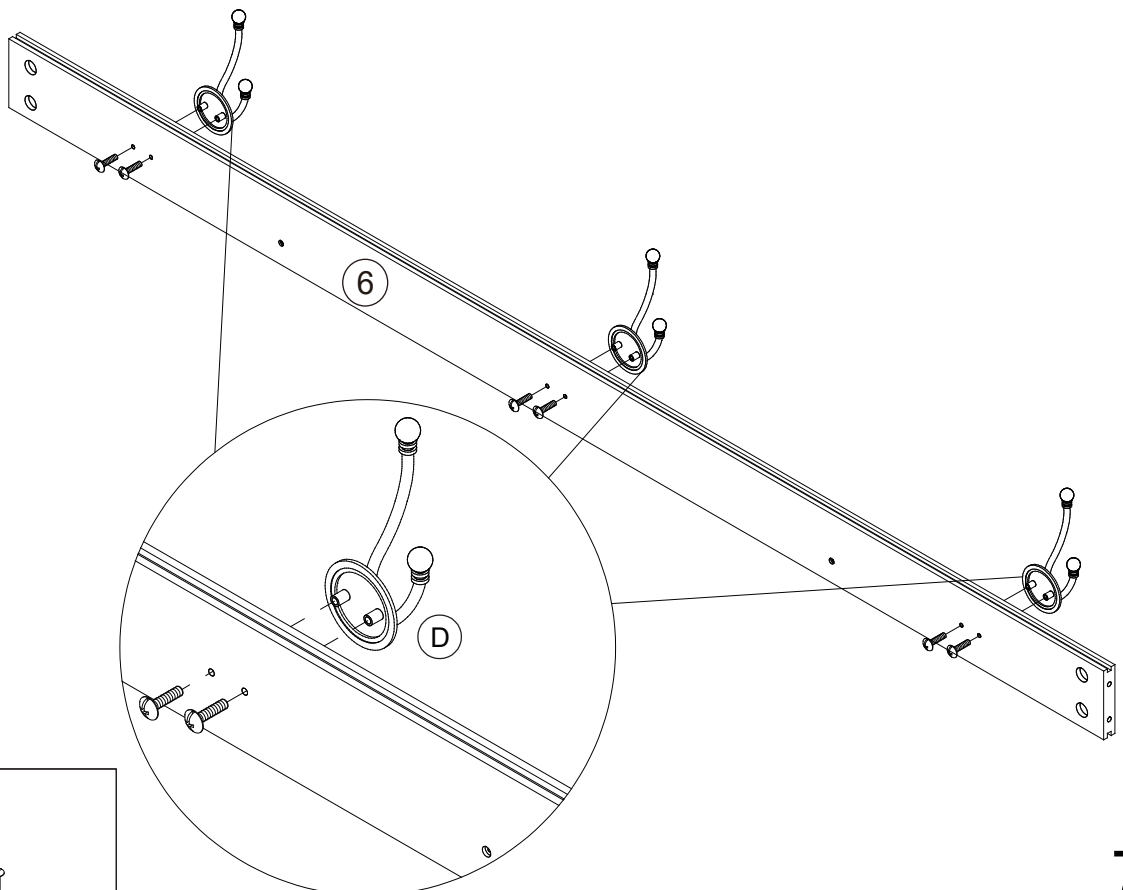
467x365x12mm

Assembly Instructions

Step 1

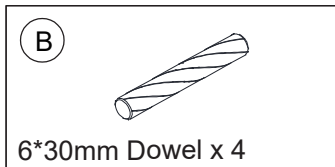
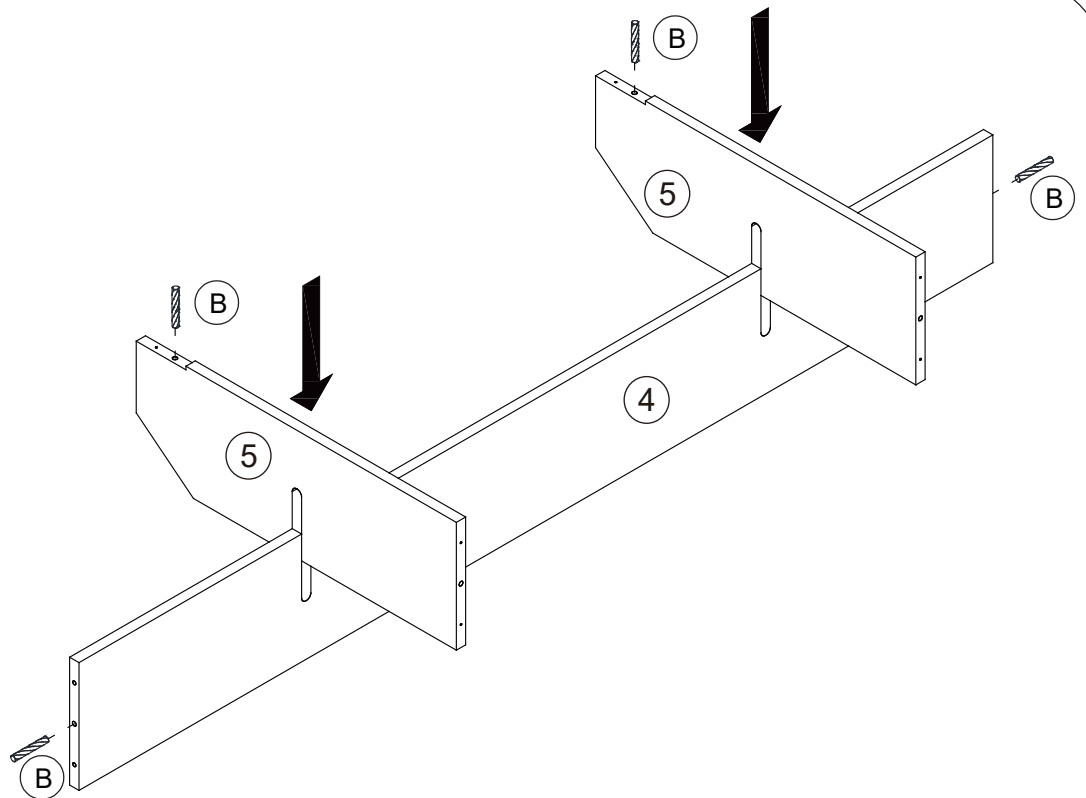


Step 2

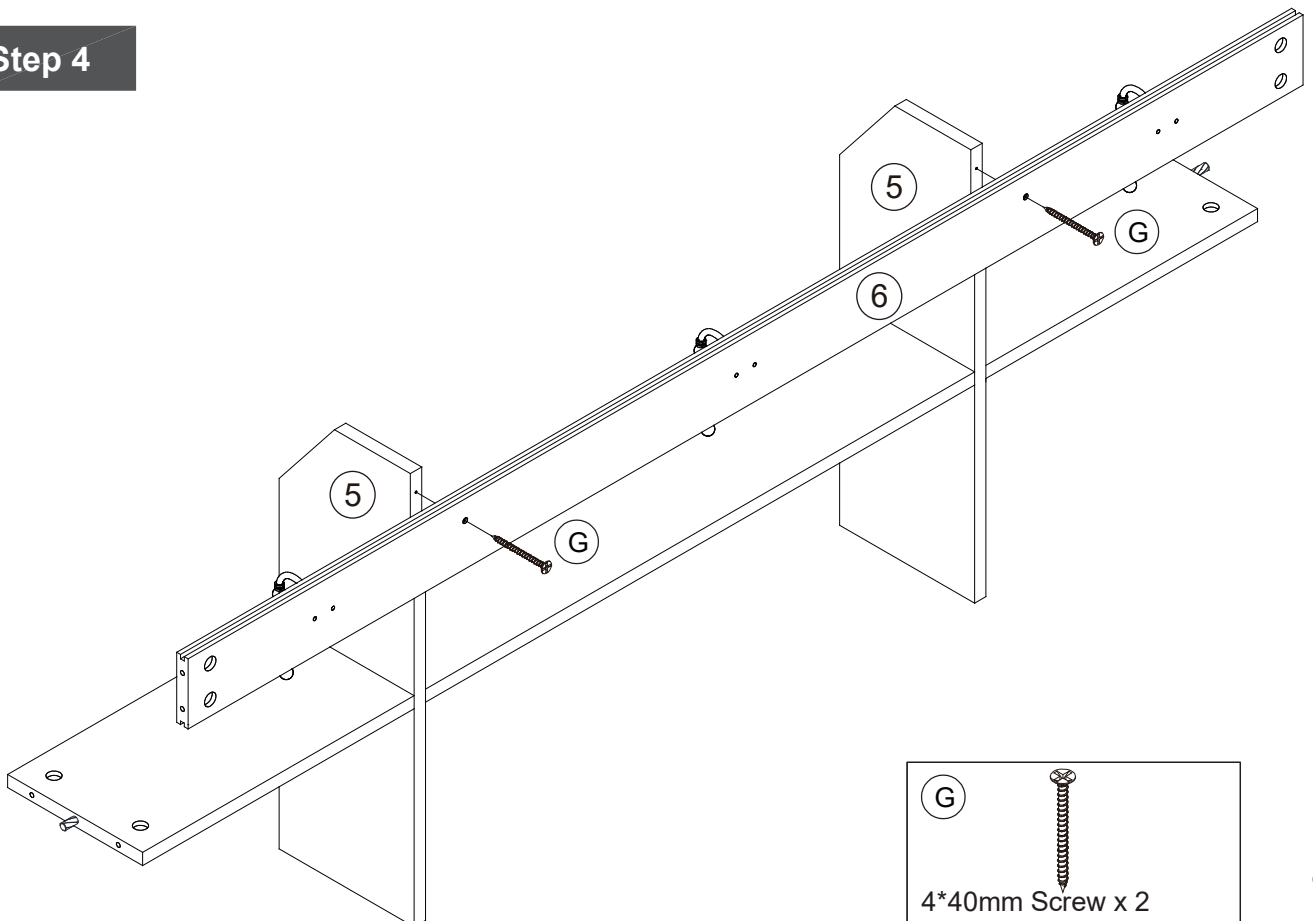


Assembly Instructions

Step 3

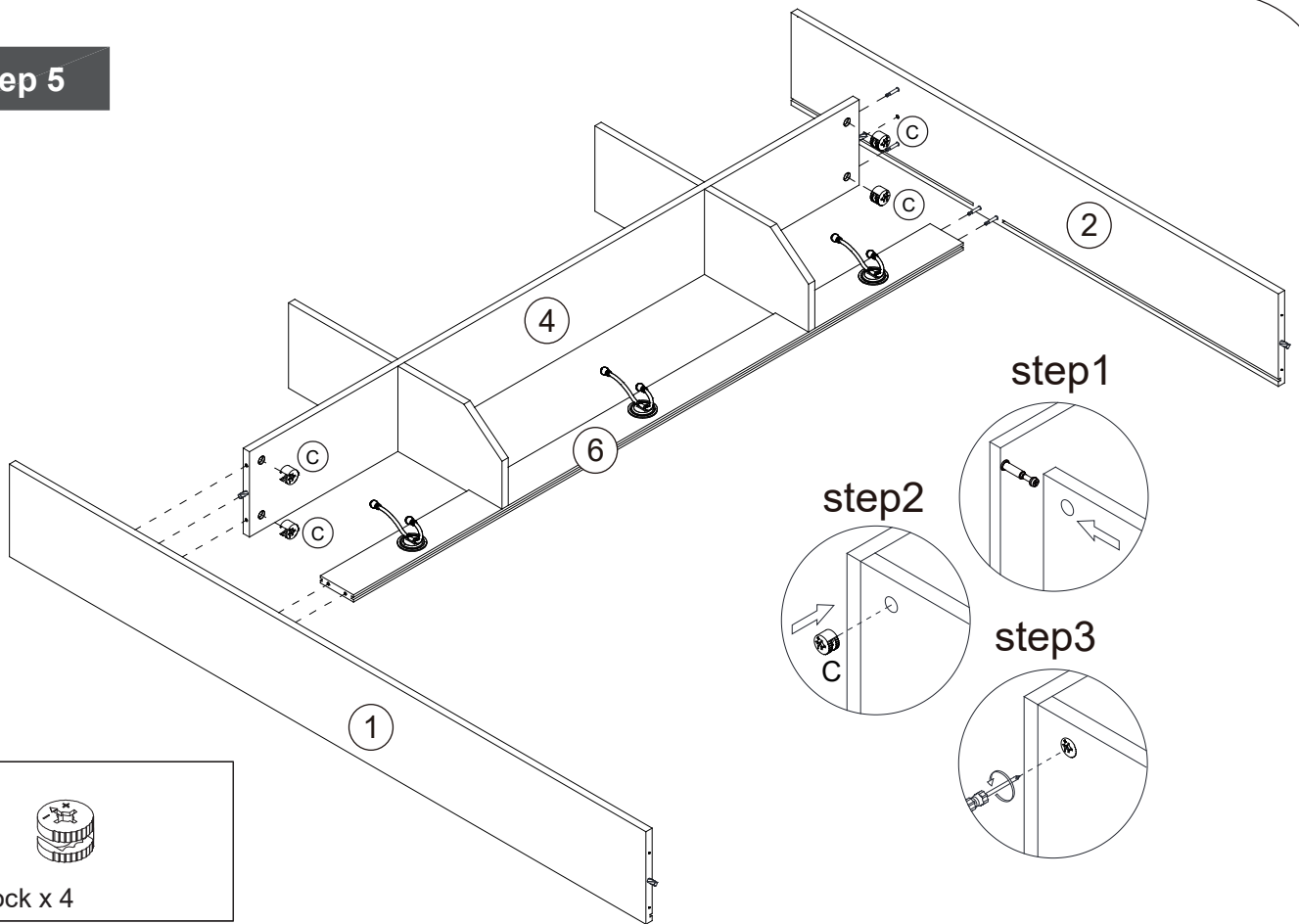


Step 4



Assembly Instructions

Step 5



C

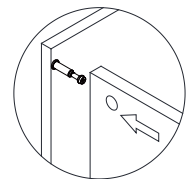


Cam lock x 4

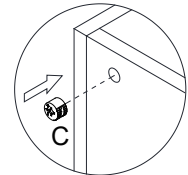
Step 6

Use this special splicing tape for invisible back seams to connect beautifully and firmly

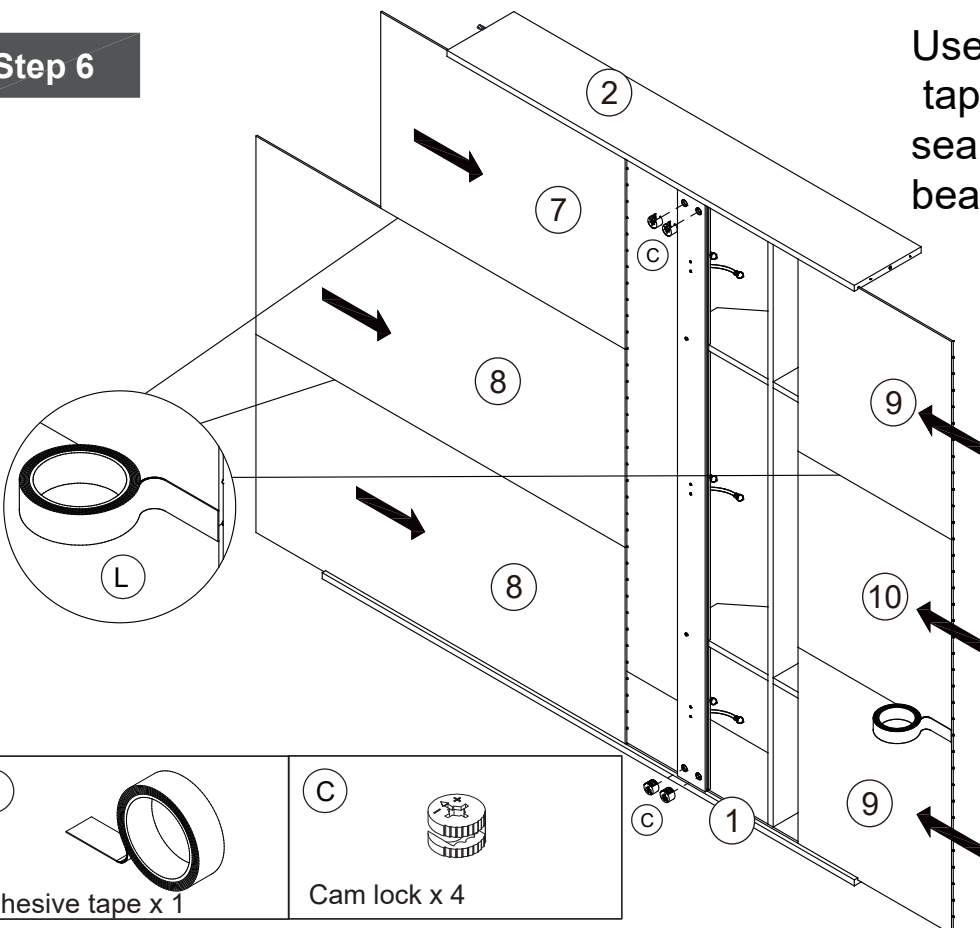
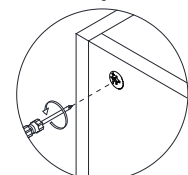
step1



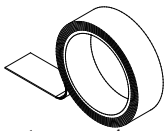
step2



step3



L



adhesive tape x 1

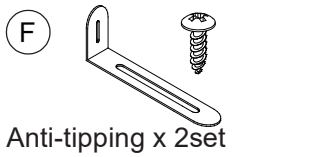
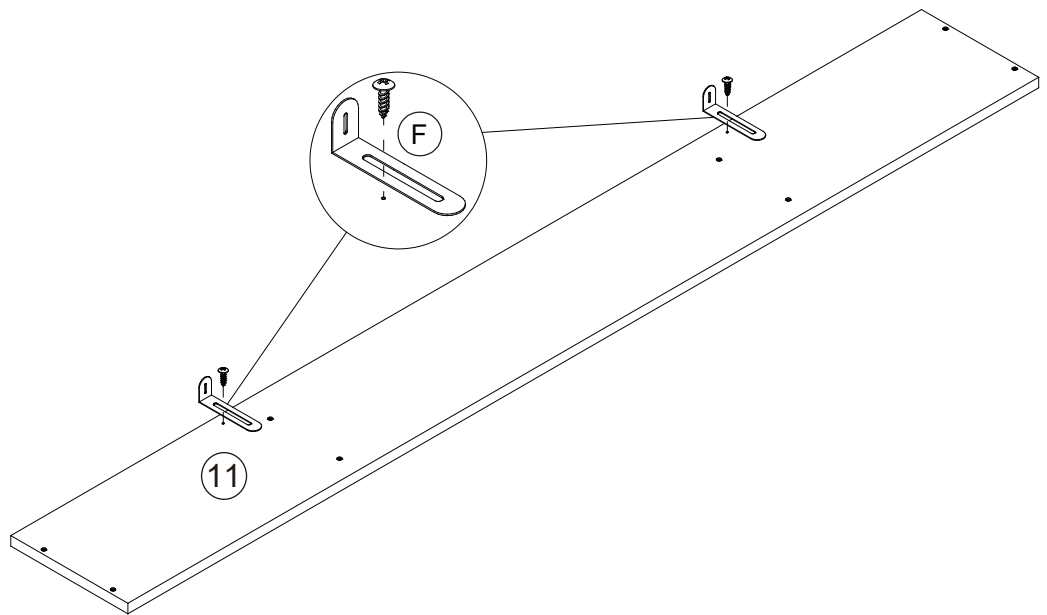
C



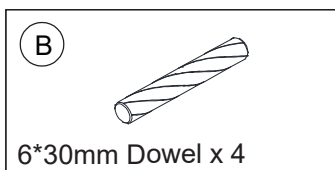
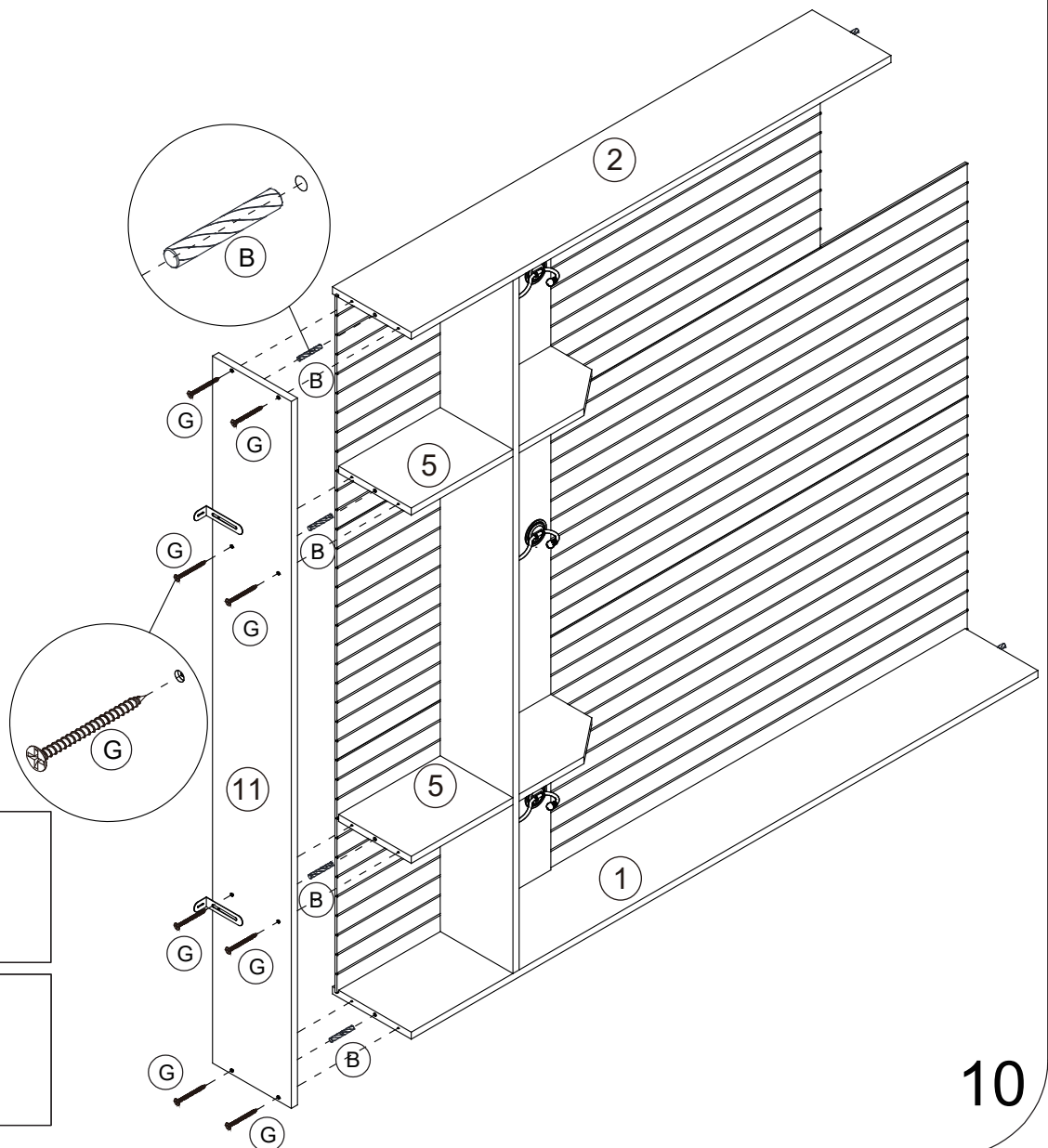
Cam lock x 4

Assembly Instructions

Step 7

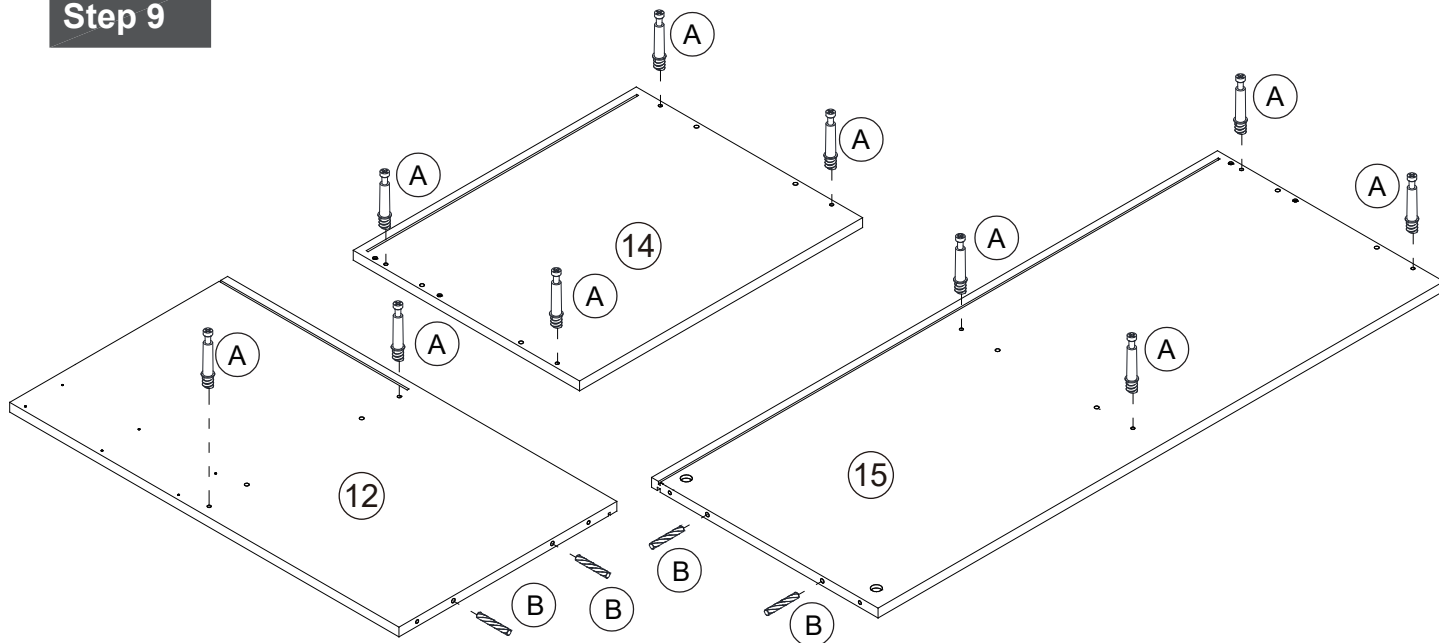


Step 8

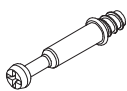


Assembly Instructions

Step 9

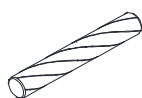


A



Cam Bolt x 10

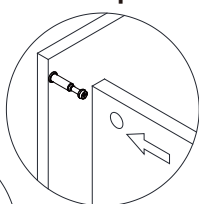
B



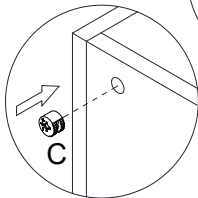
6*30mm Dowel x 4

Step 10

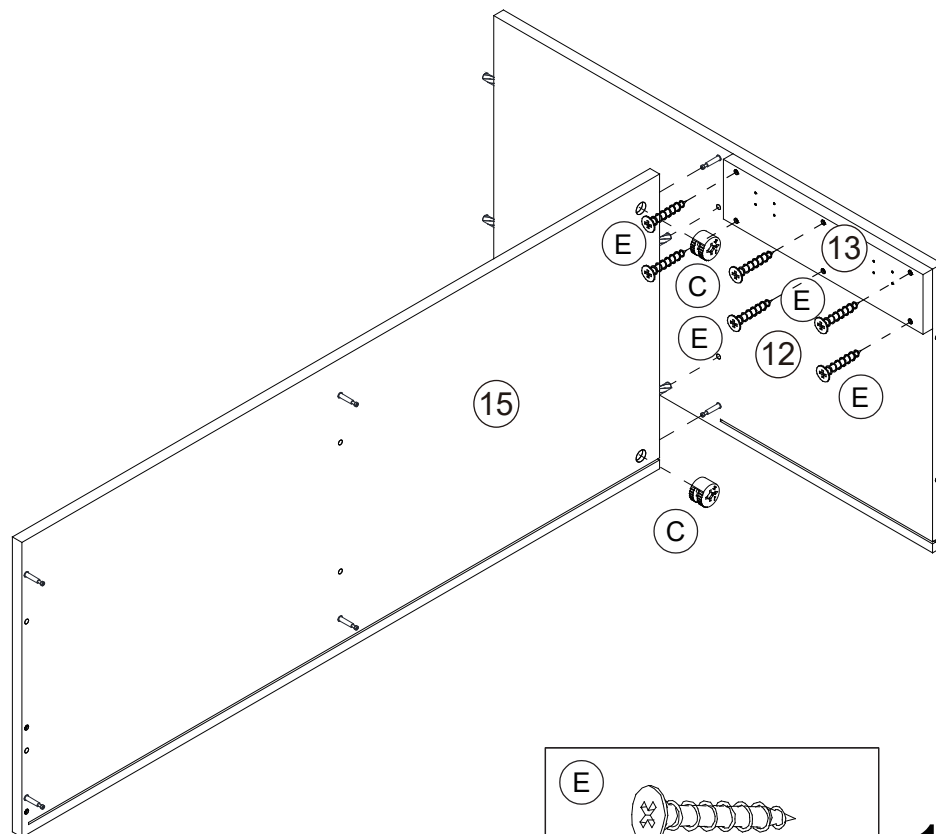
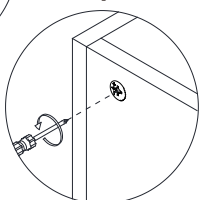
step1



step2



step3

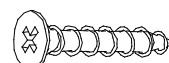


C



Cam lock x 2

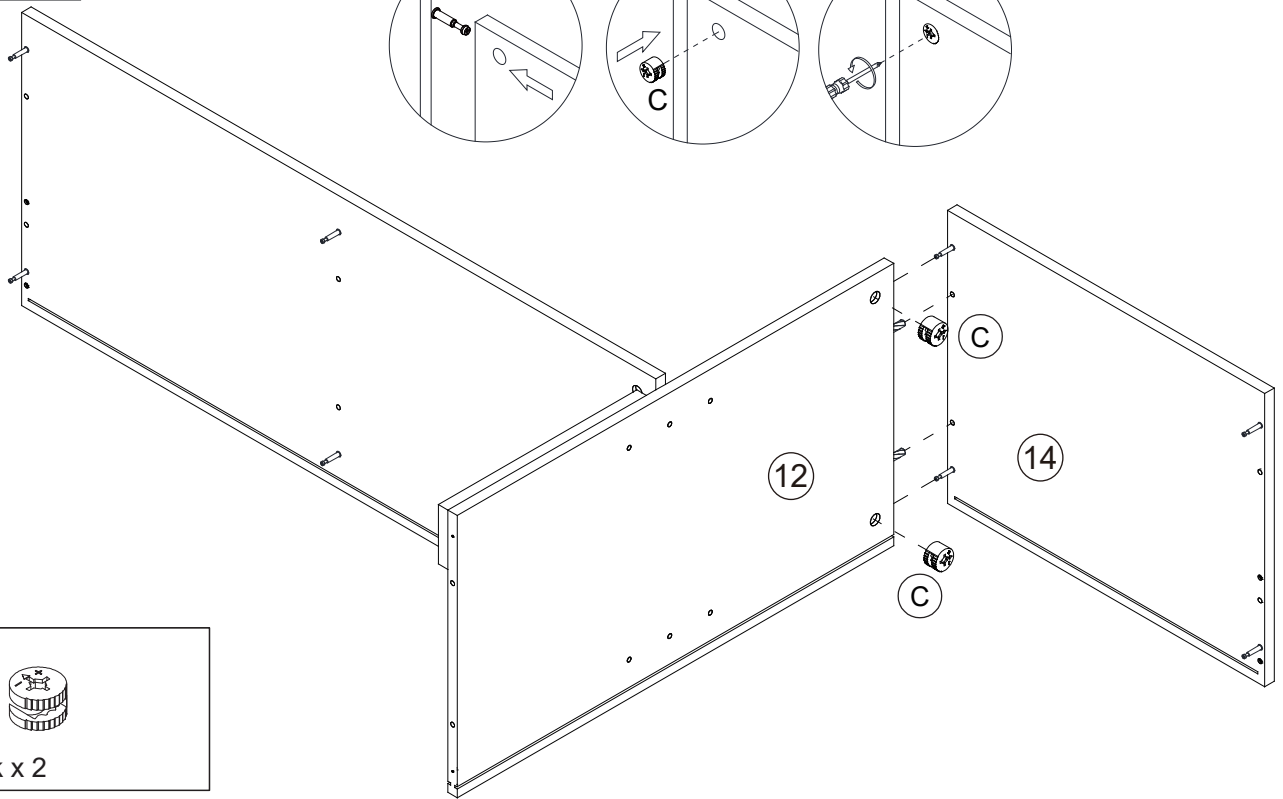
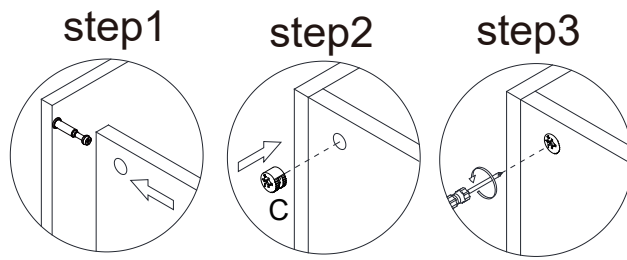
E



4*25mm Screw x 6

Assembly Instructions

Step 11



C



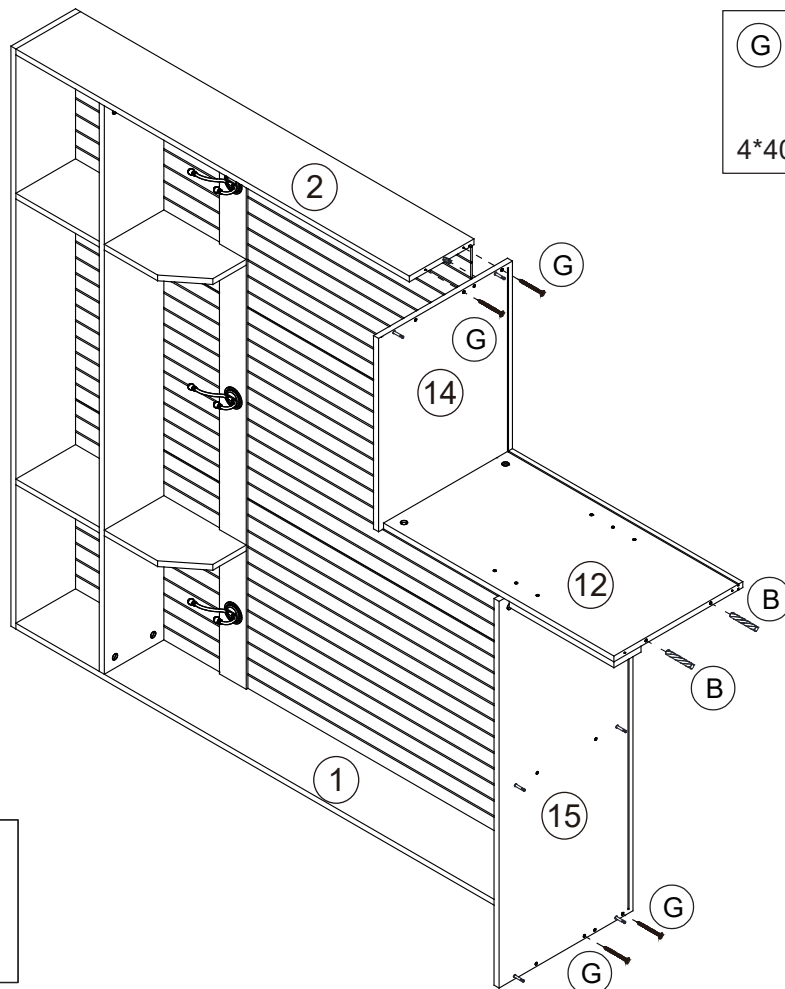
Cam lock x 2

Step 12

G



4*40mm Screw x 4



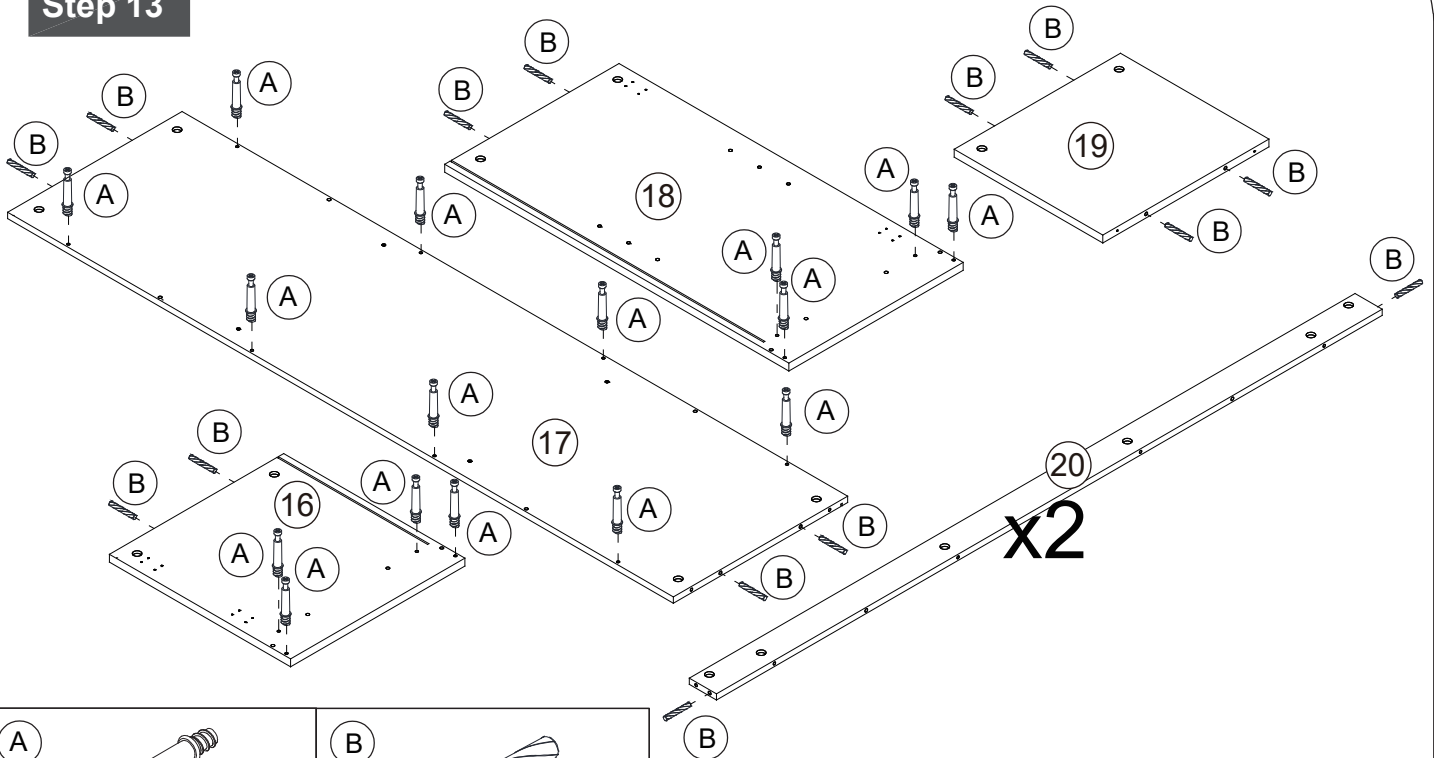
B



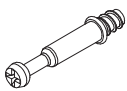
6*30mm Dowel x 2

Assembly Instructions

Step 13

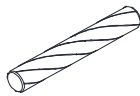


(A)



Cam Bolt x 16

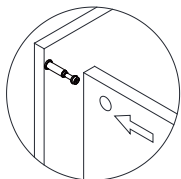
(B)



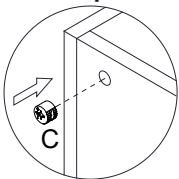
6*30mm Dowel x 16

Step 14

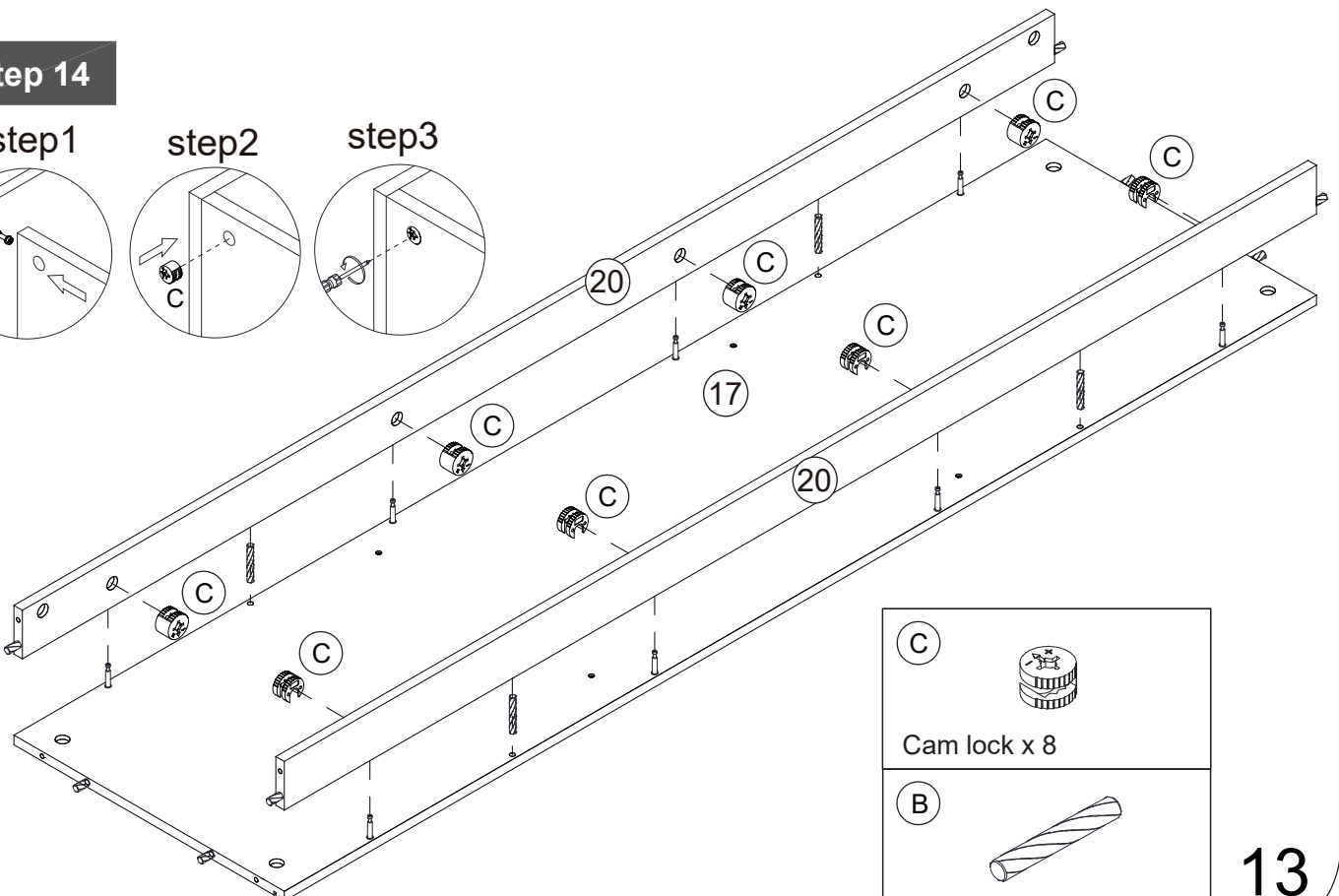
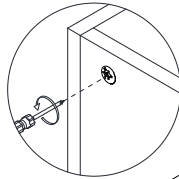
step1



step2



step3



(C)



Cam lock x 8

(B)



6*30mm Dowel x 4

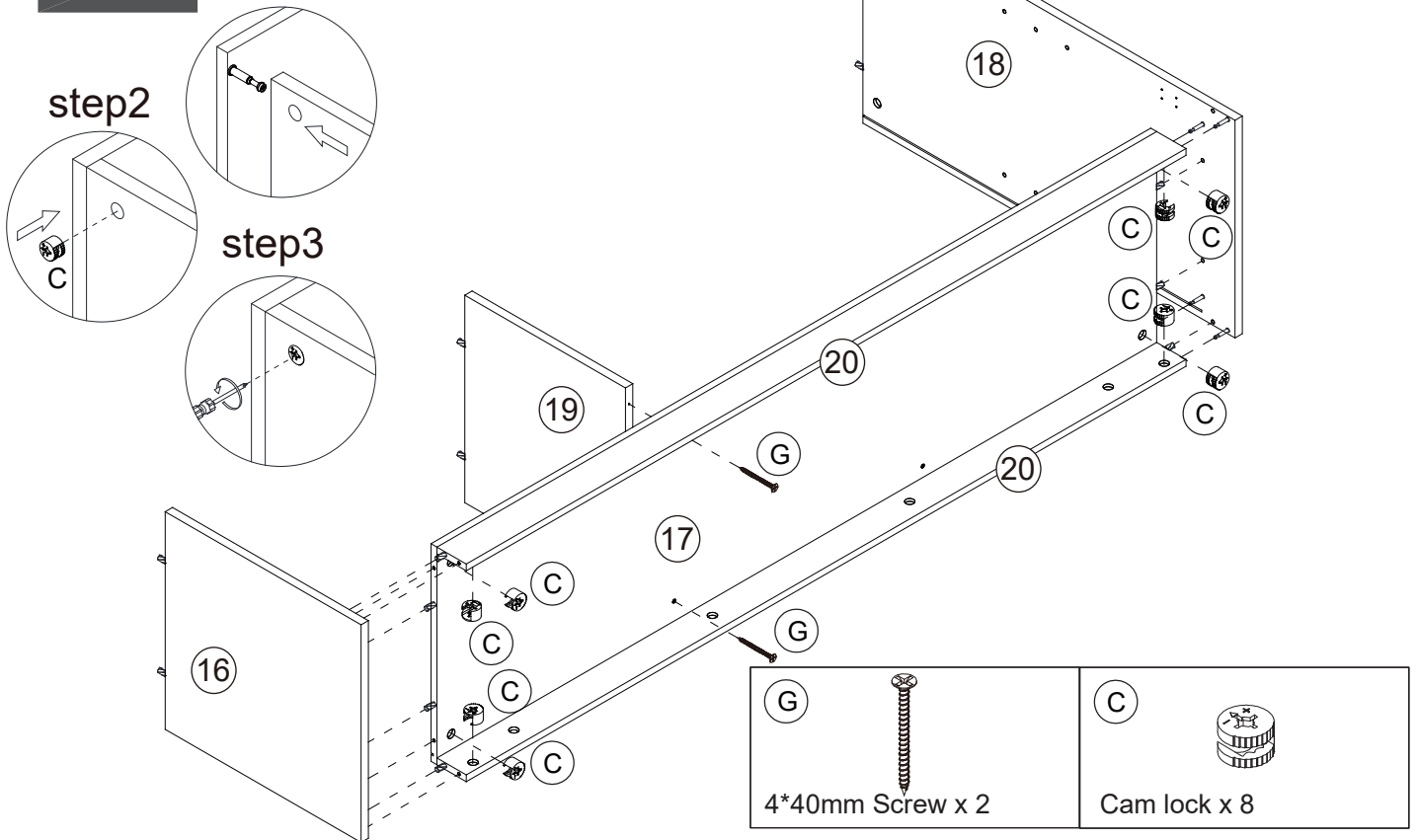
Assembly Instructions

Step 15

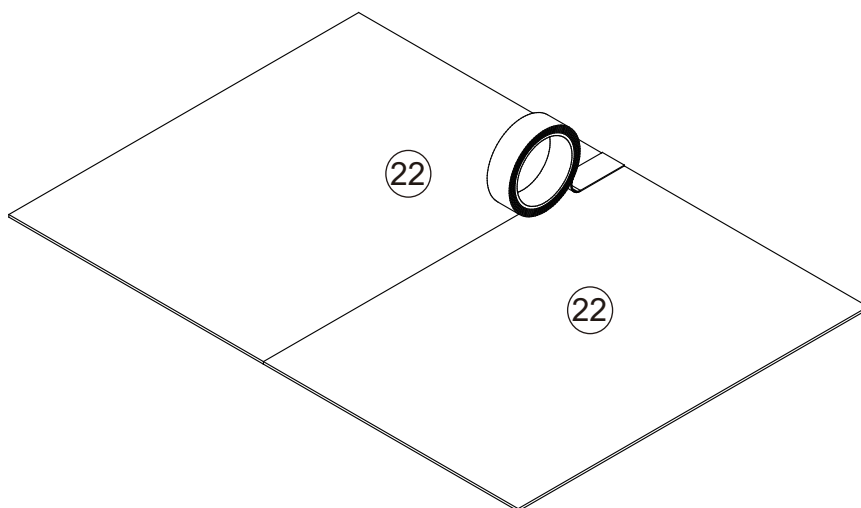
step1

step2

step3

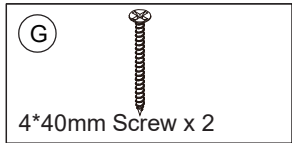
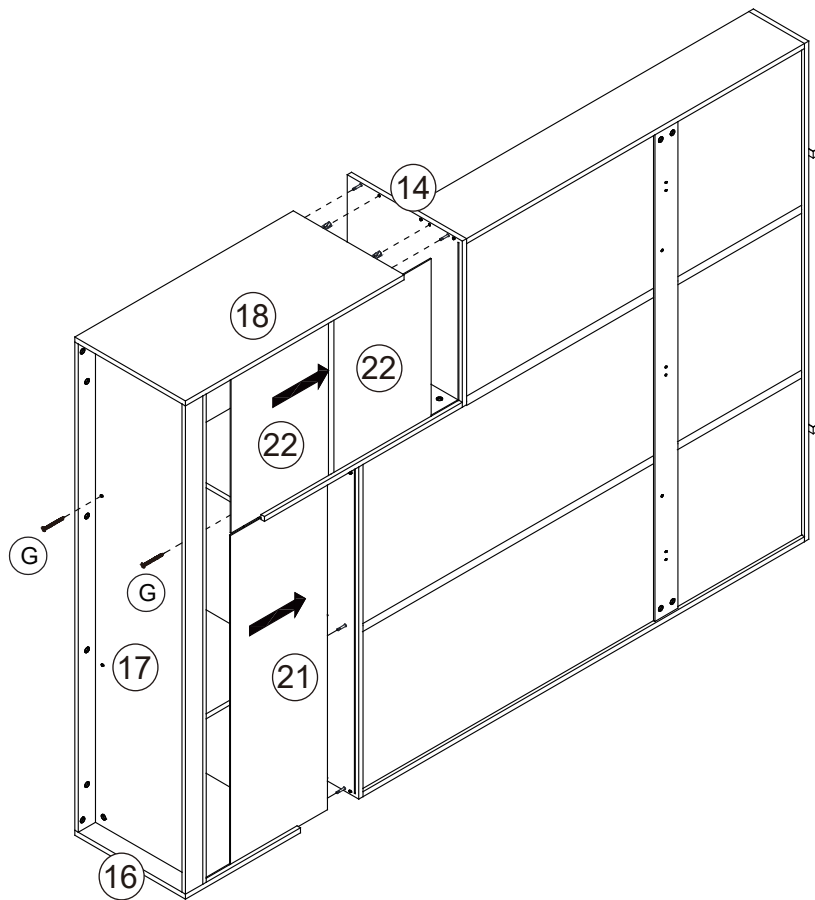


Step 16

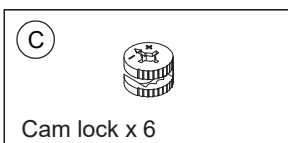
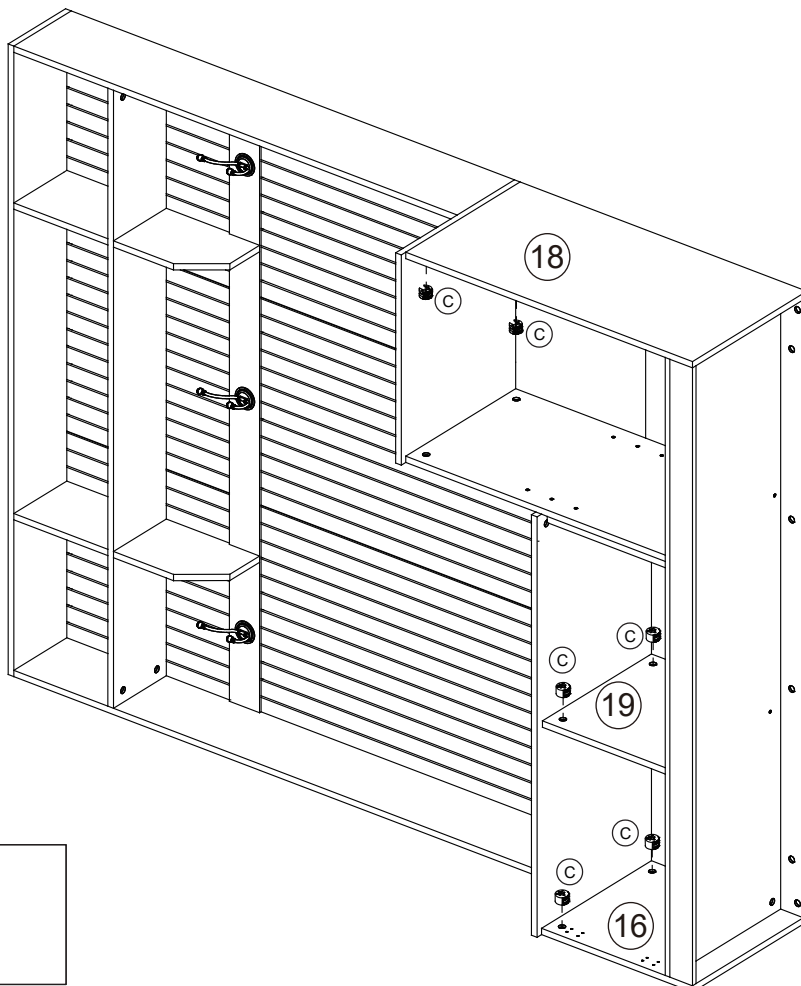


Assembly Instructions

Step 17

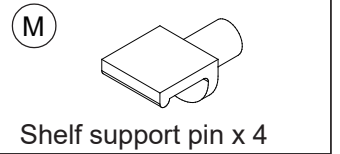
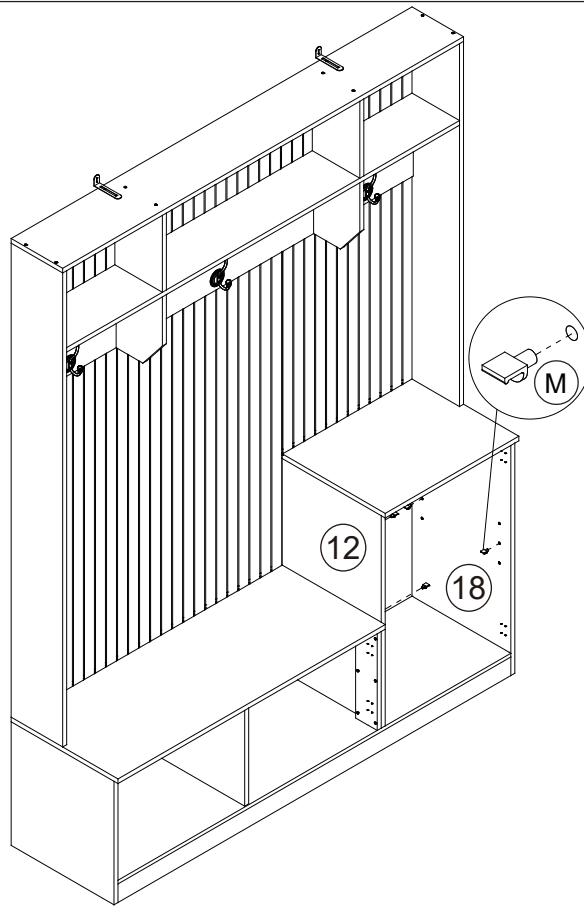


Step 18

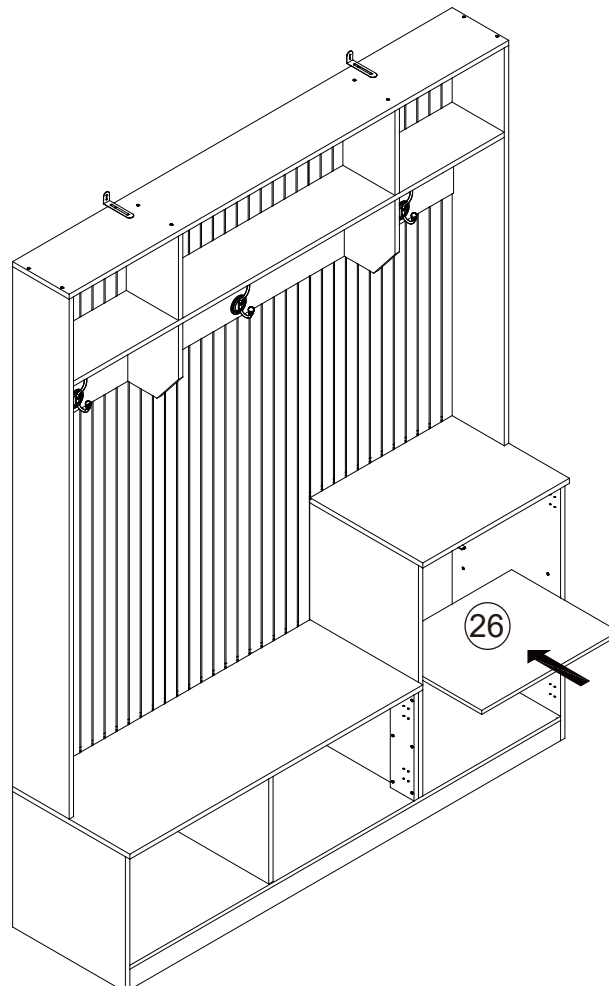


Assembly Instructions

Step 19

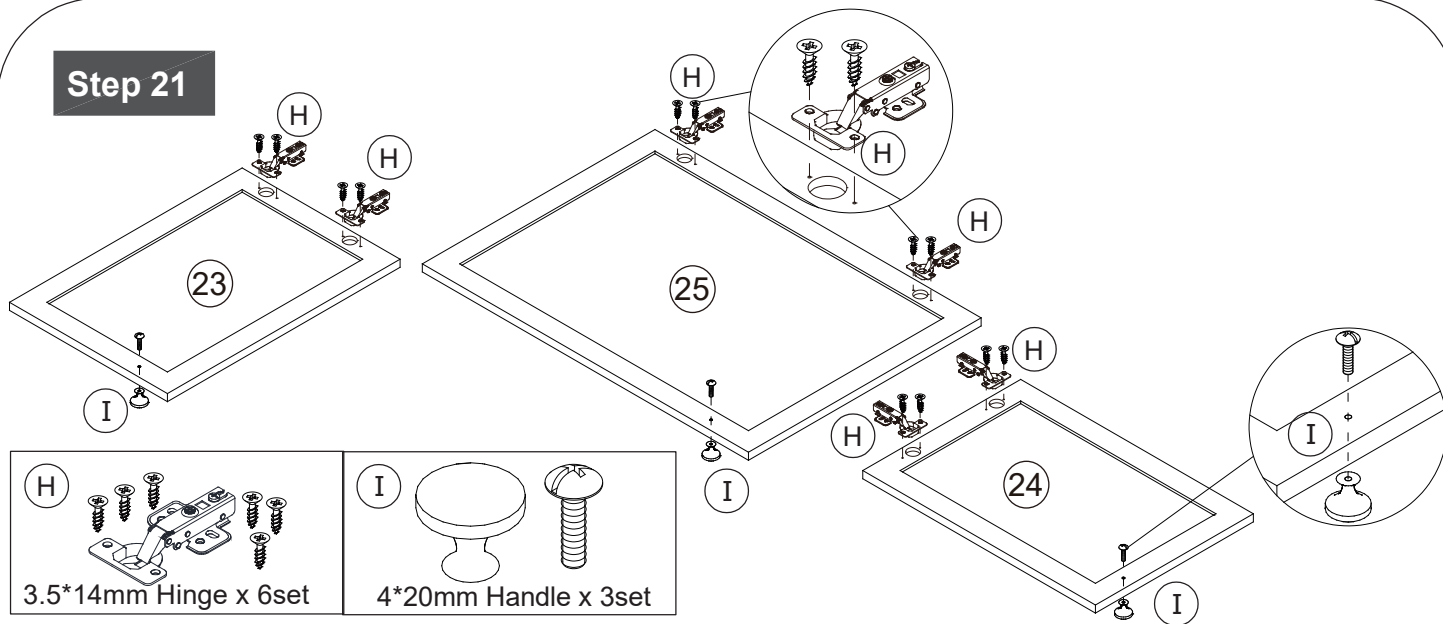


Step 20

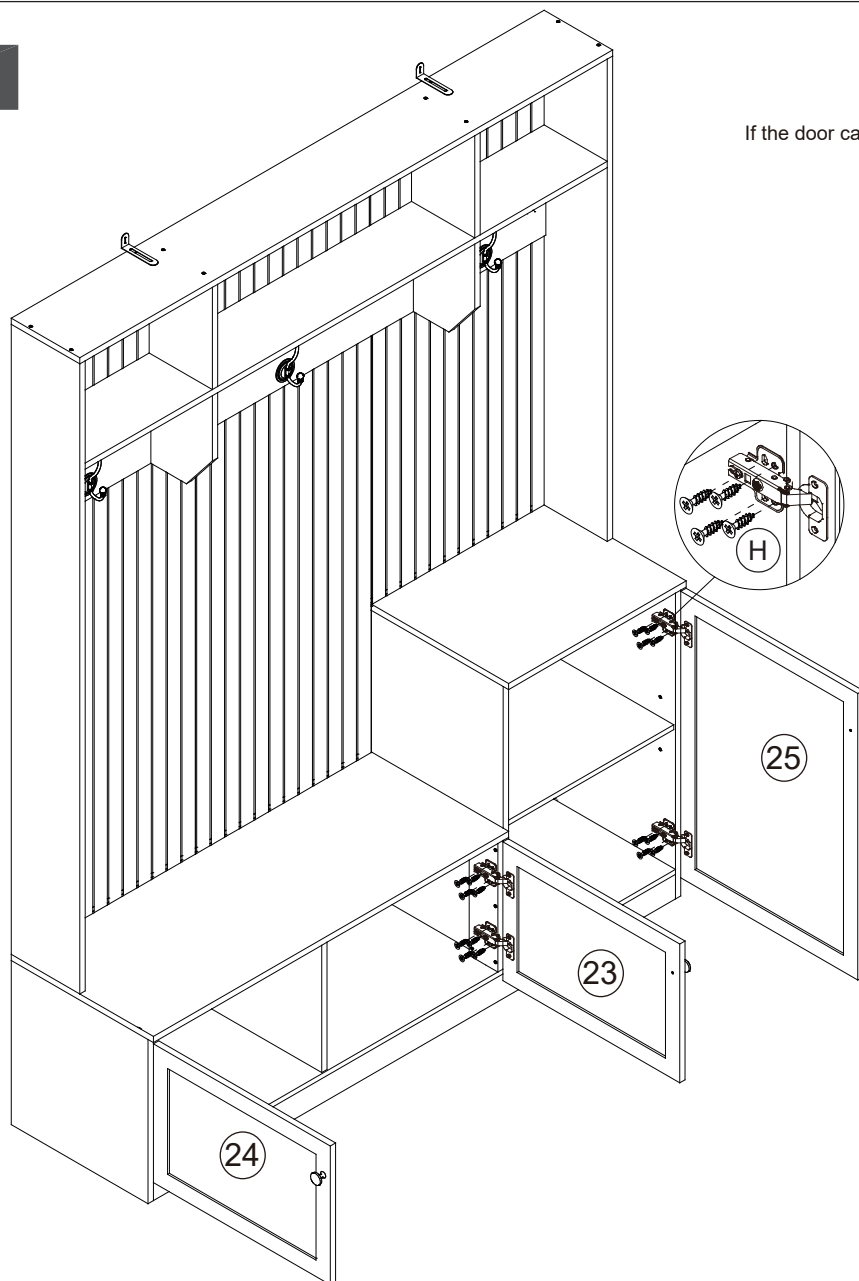


Assembly Instructions

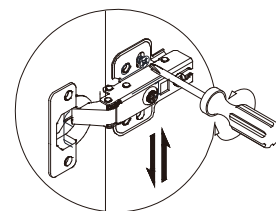
Step 21



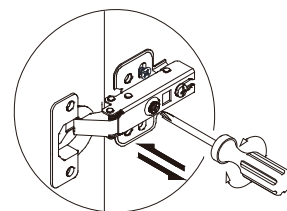
Step 22



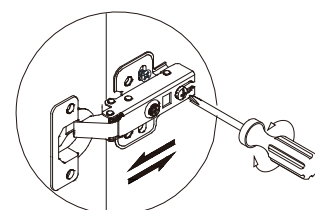
If the door can't close, please adjust the hinges as below.



This is used to adjust the door panel in the up and down direction.



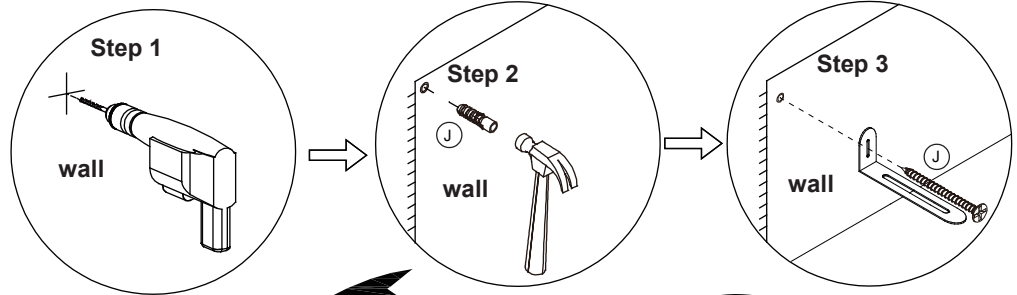
This is used to adjust the door panel in the left and right direction.



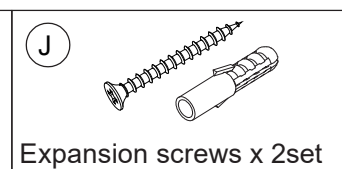
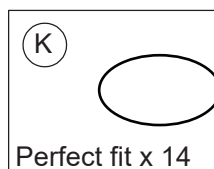
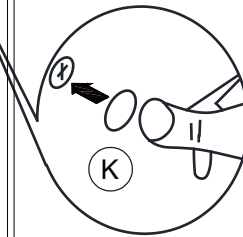
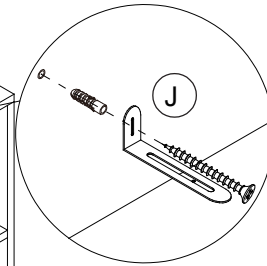
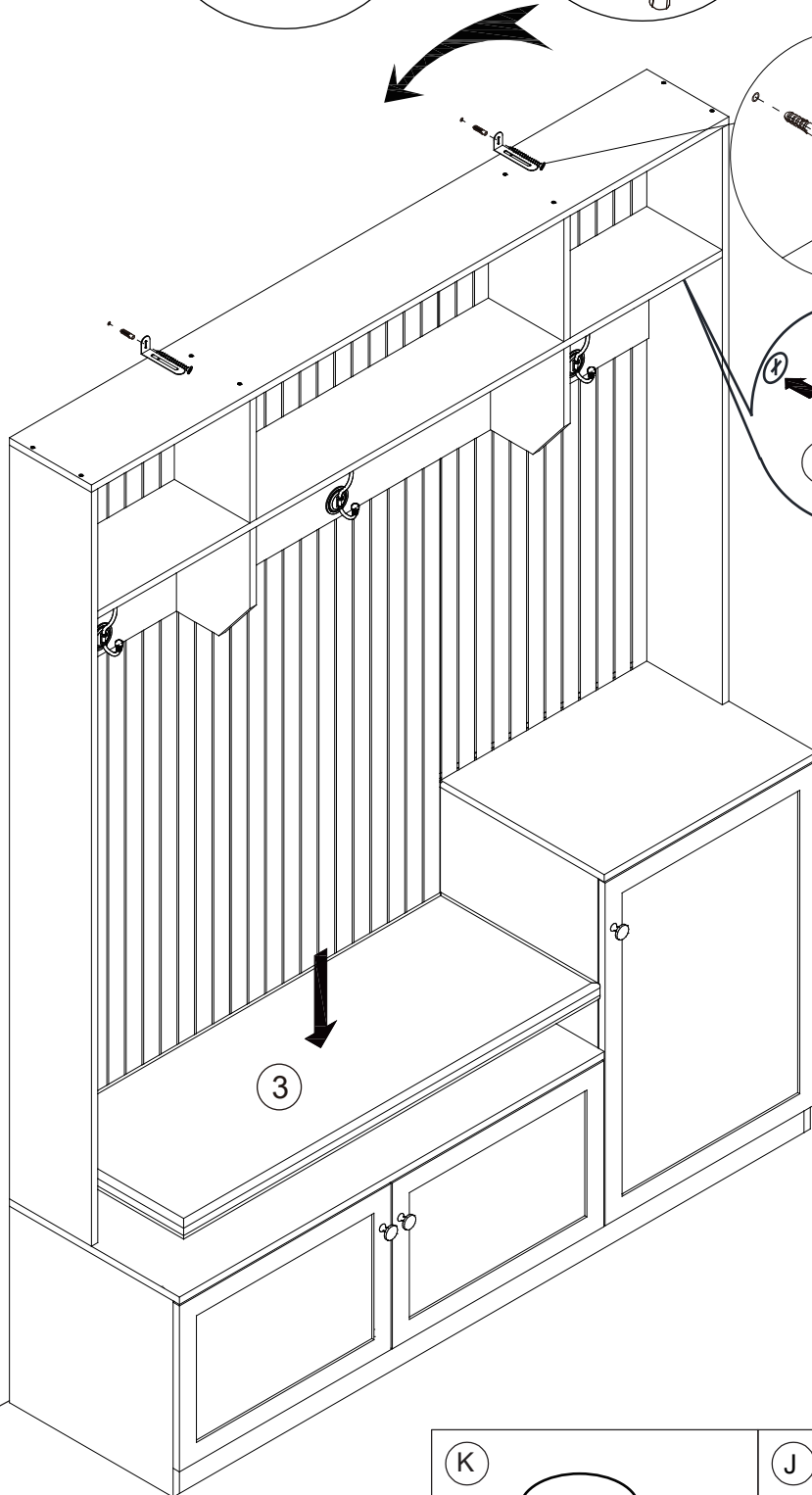
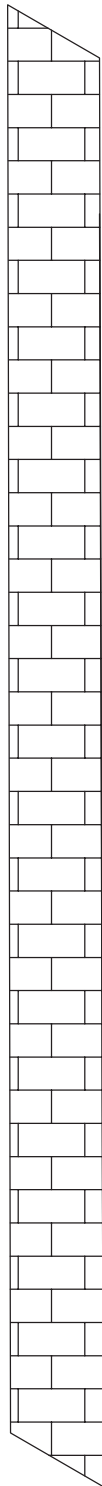
This is used to adjust the door panel in the front and rear.

Assembly Instructions

Step 23



WALL



Assembly Instructions

Finish

