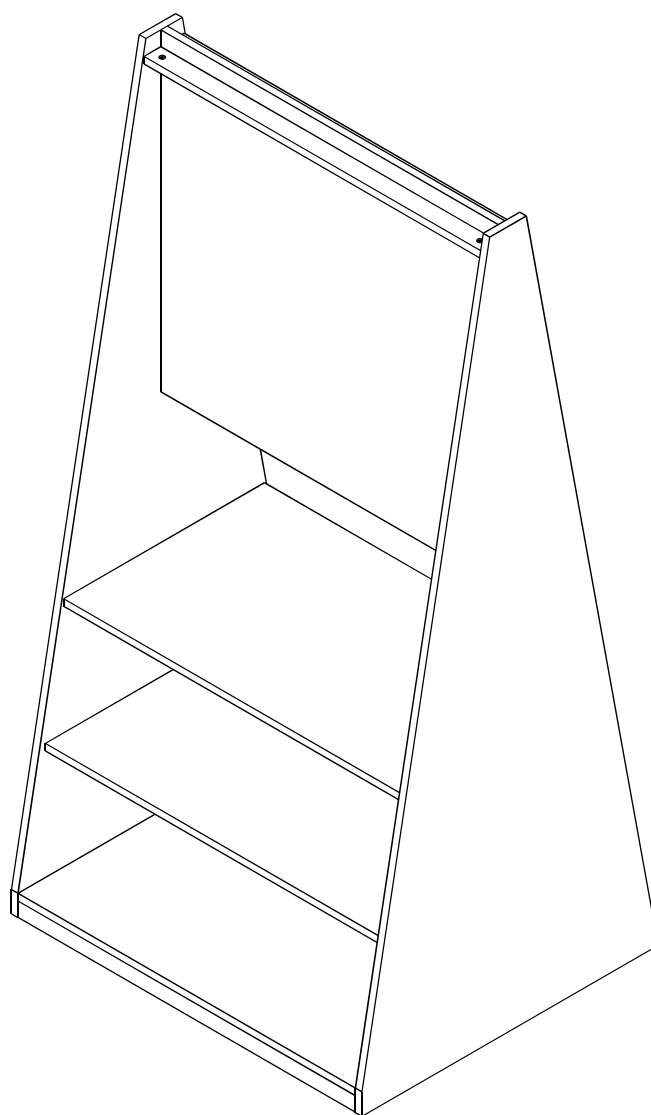


ASSEMBLY INSTRUCTION



IMPORTANT NOTICE

Workspace Safety

Keep the workspace clear of clutter and ensure it's well-lit. A clean, flat surface is essential.

Read Instructions

Read the entire assembly guide before starting. Skipping steps can compromise safety.

Use Proper Tools

Use the tools provided or recommended. Avoid overtightening screws.

Secure Furniture

Anchor tall or heavy furniture to the wall to prevent tipping. This is crucial in homes with children or pets.

Handle Small Parts

Keep small parts away from children and pets to avoid choking hazards.

Get Help

Don't hesitate to ask for help with heavy or complex pieces.

Inspect Regularly

Periodically check for loose screws or wobbly parts and tighten as needed.

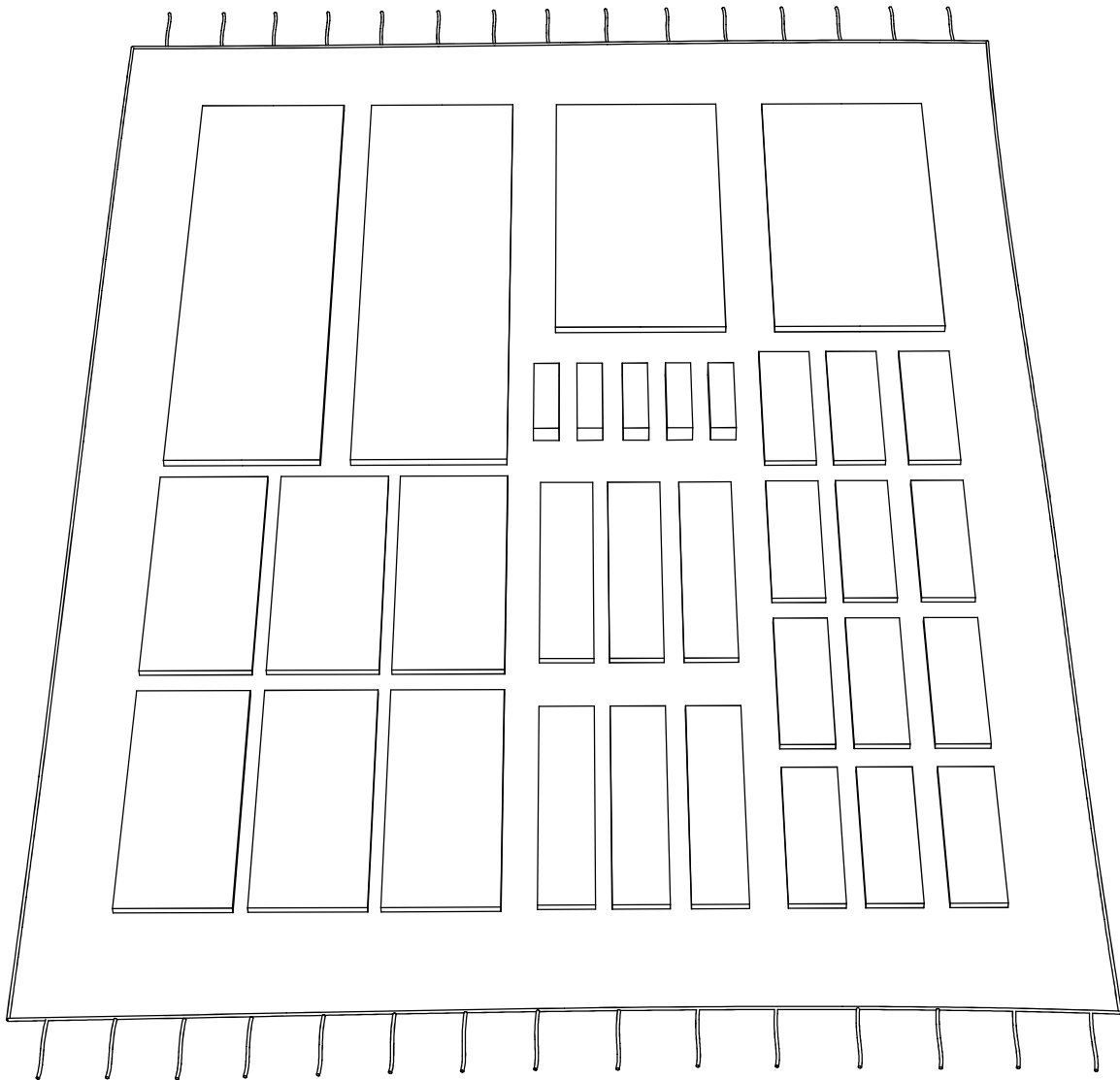
Follow these tips for a safe assembly process.



PRE-ASSEMBLY PREPARATION

Before assembly, place all furniture parts on a soft surface, such as a blanket or the original packaging cardboard, to prevent damage to the floor or components from accidental drops and to avoid scratching the surfaces.

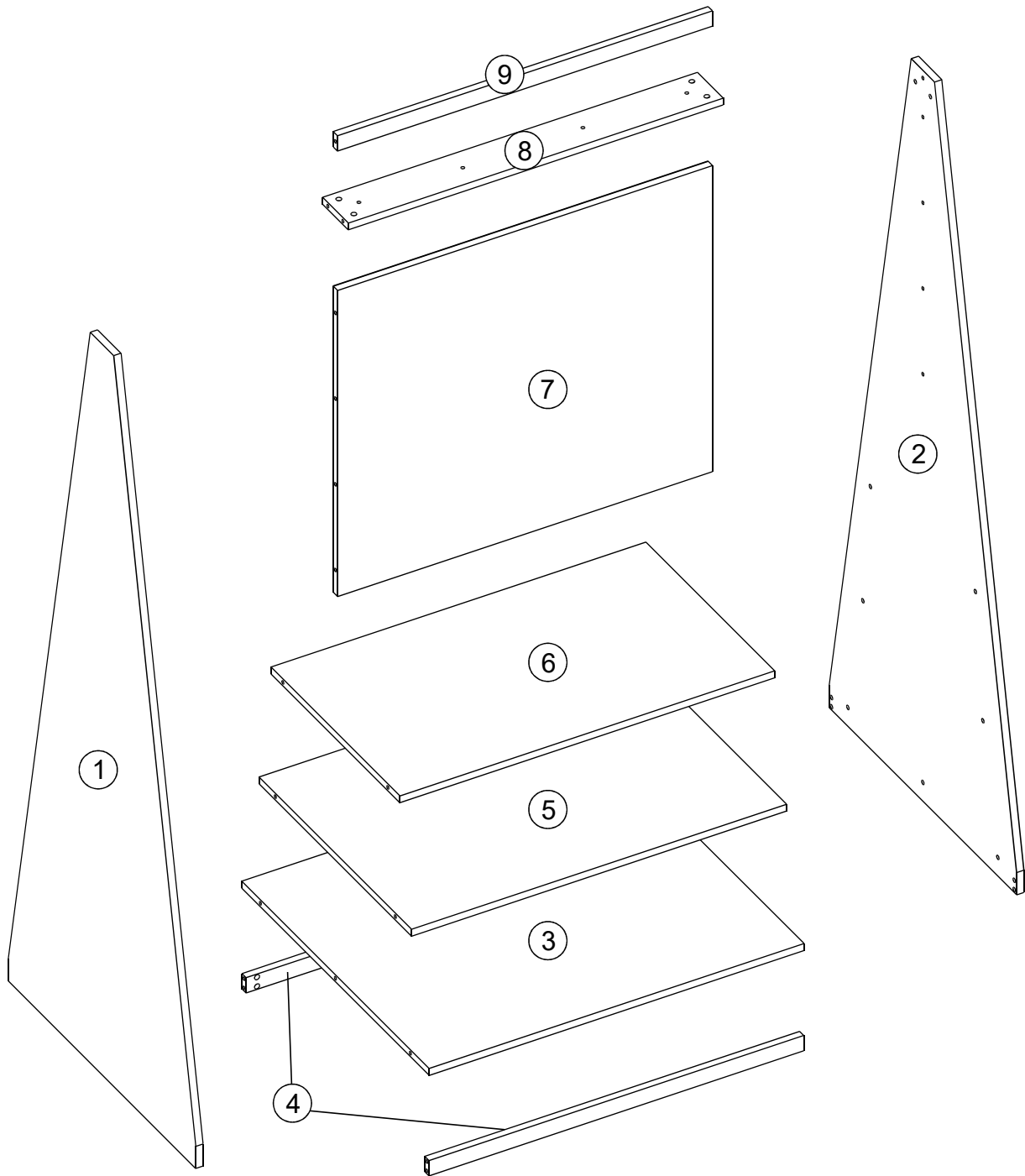
For illustrative purposes only





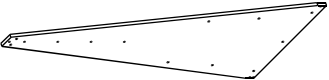






Attention: The components shown above are for illustrative purposes only and are not related to the current product.

ASSEMBLY DIAGRAM


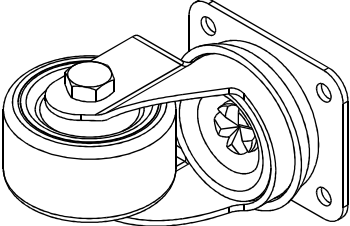
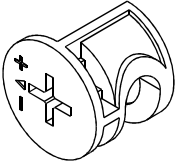
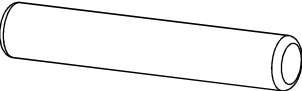
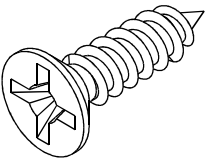
1. Refer to the exploded view below for the approximate location of each component.
2. Each part is labeled for easy identification.
3. Follow the assembly instructions carefully to ensure proper installation.



PARTS LIST

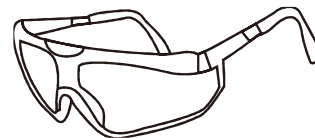
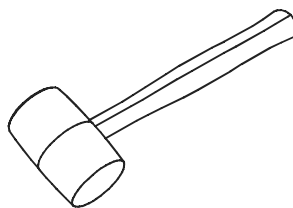
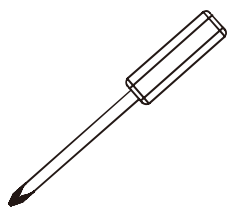
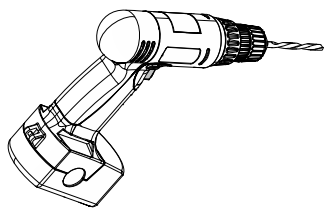
No.	Description	QTY	No.	Description	QTY
1		1	6		1
2		1	7		1
3		1	8		1
4		2	9		1
5		1			

HARDWARE LIST

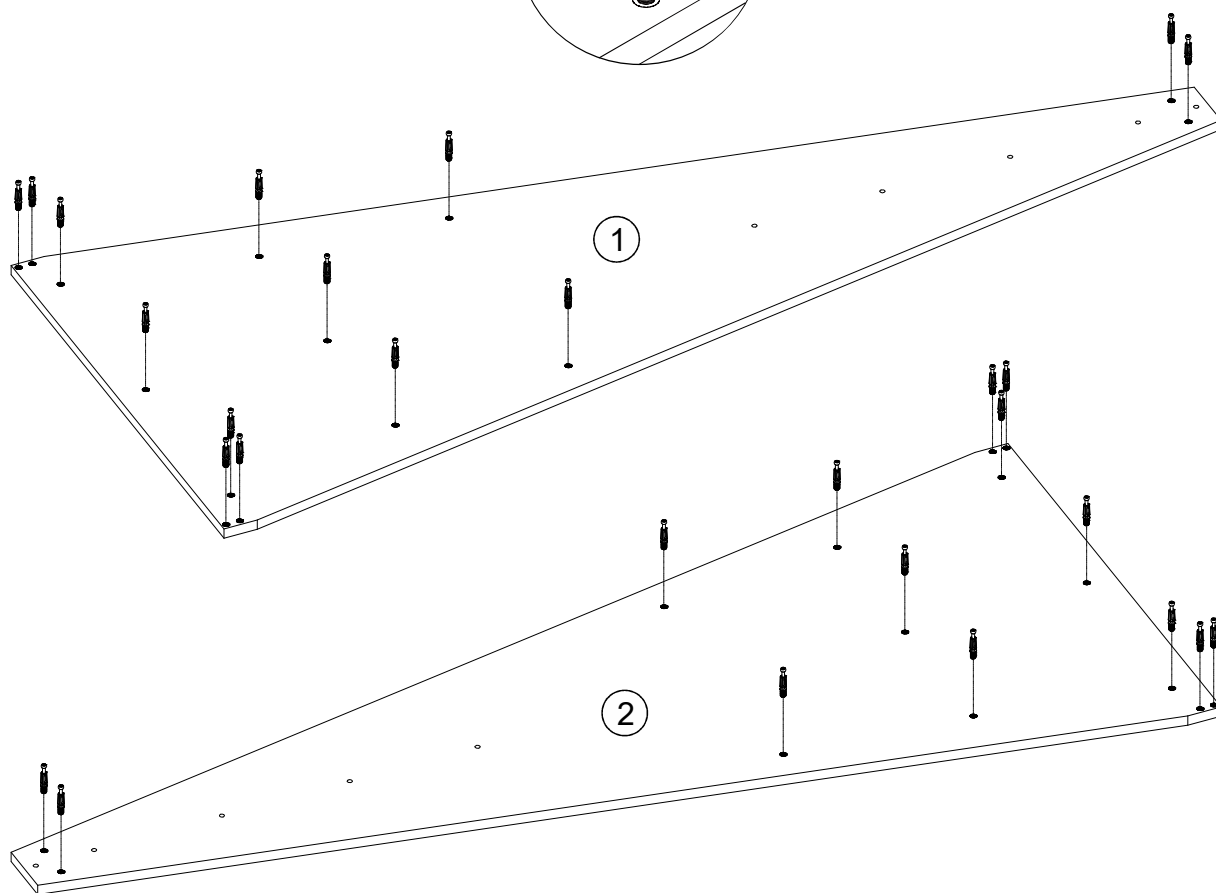
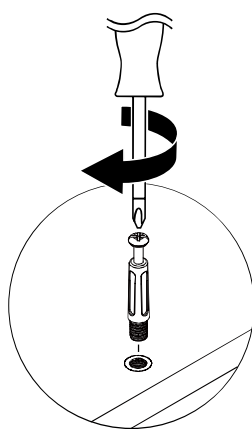
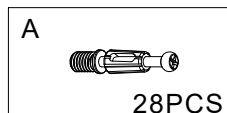
No.	Description	QTY	No.	Description	QTY
A		30	D		4
B		30			
C		15	E		17

CAUTION: Please confirm the parts list before installation. Spare parts(screws) have been included in the package in case you have the needs!

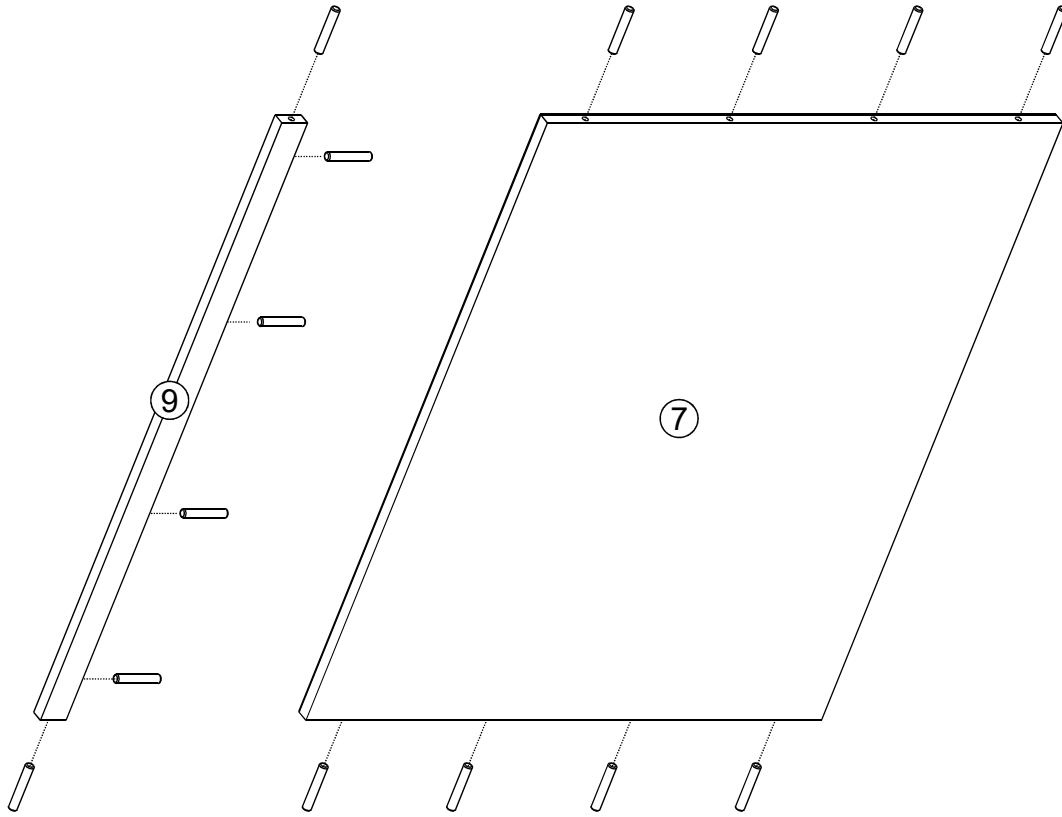
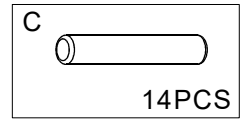
YOU MAY NEED (NOT SUPPLIED)



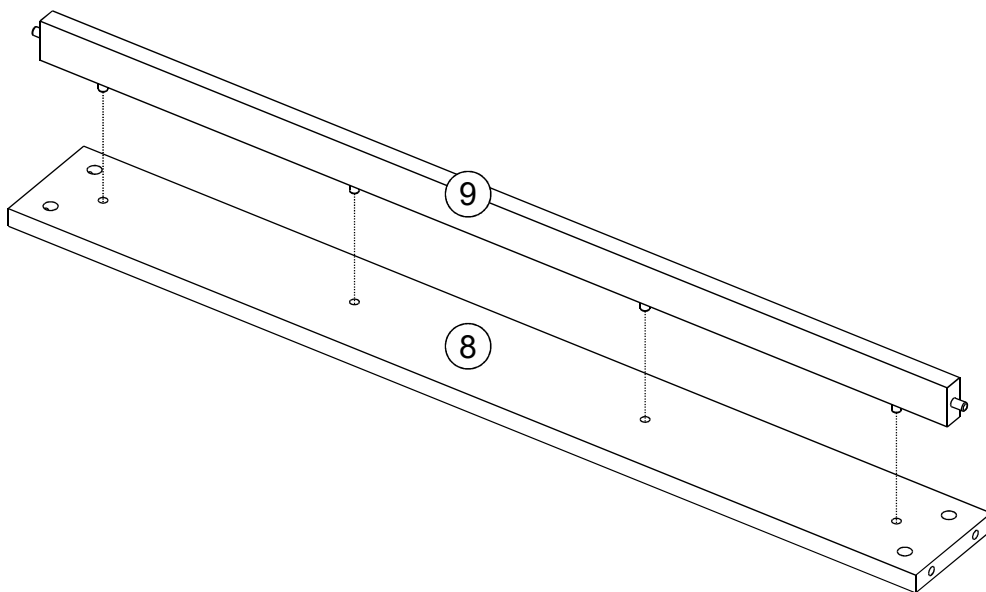
1



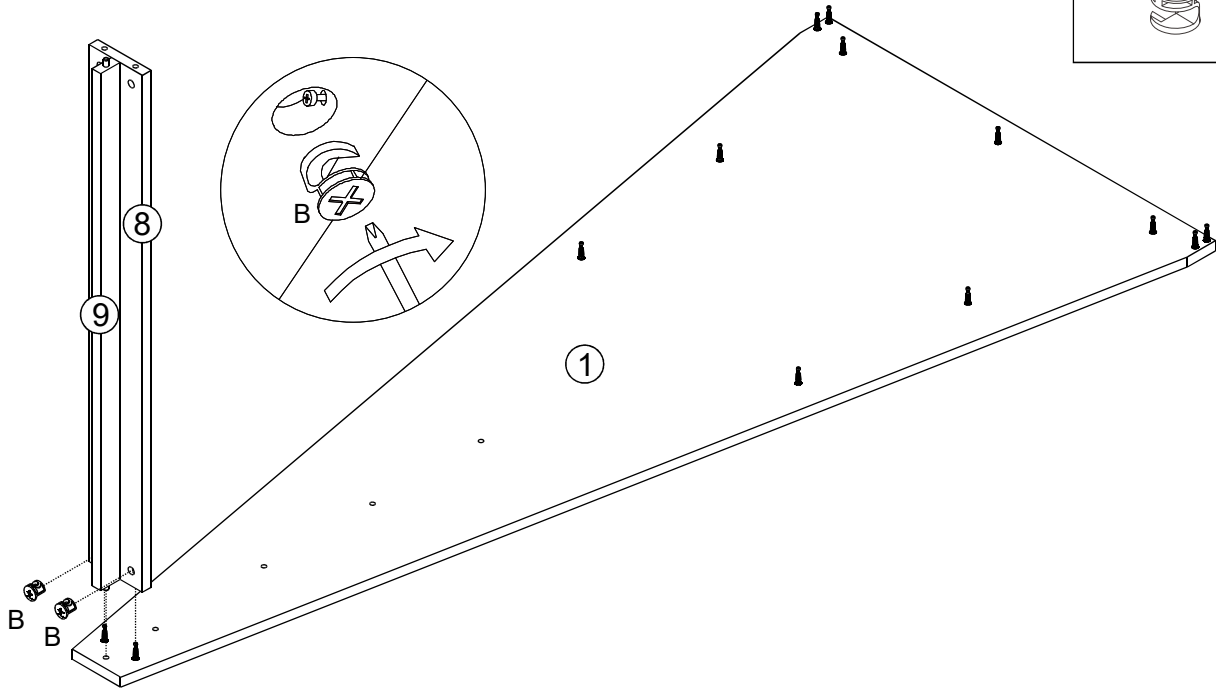
2



3

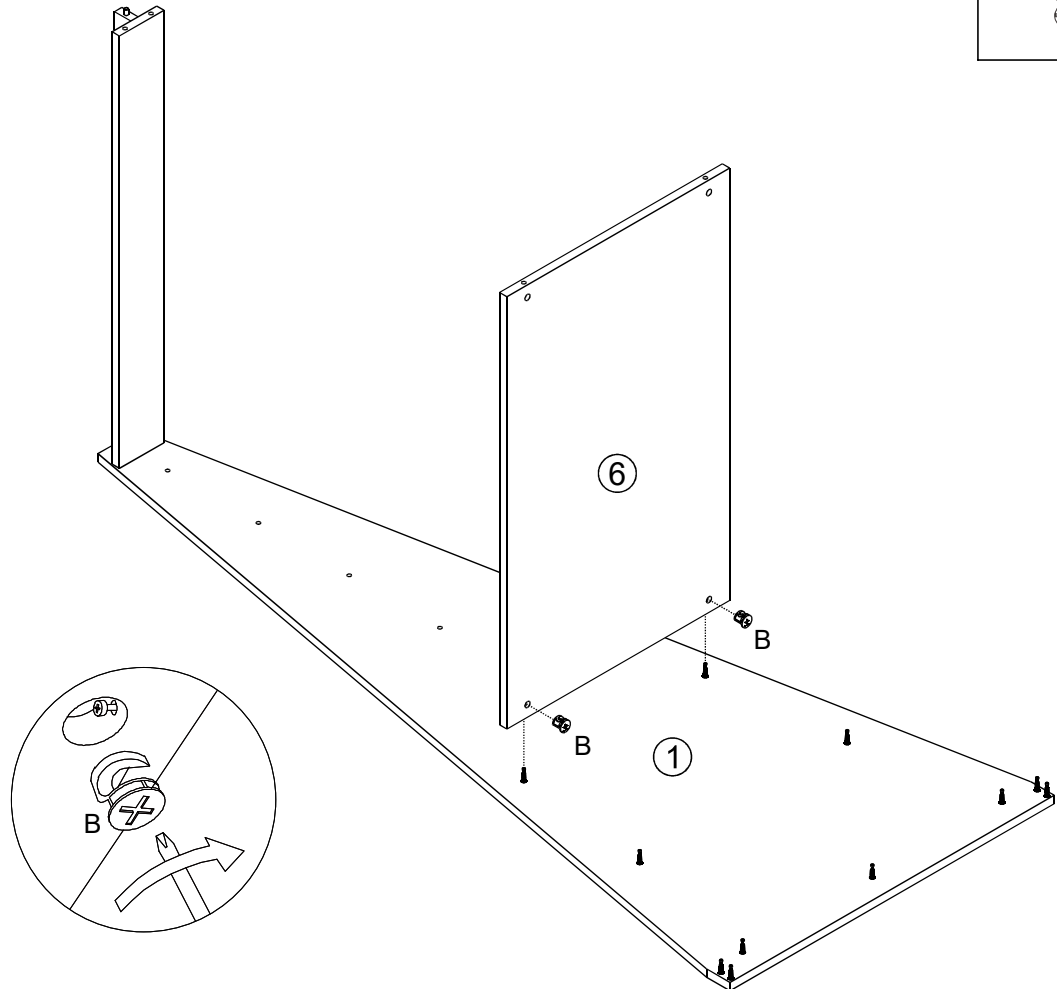


4



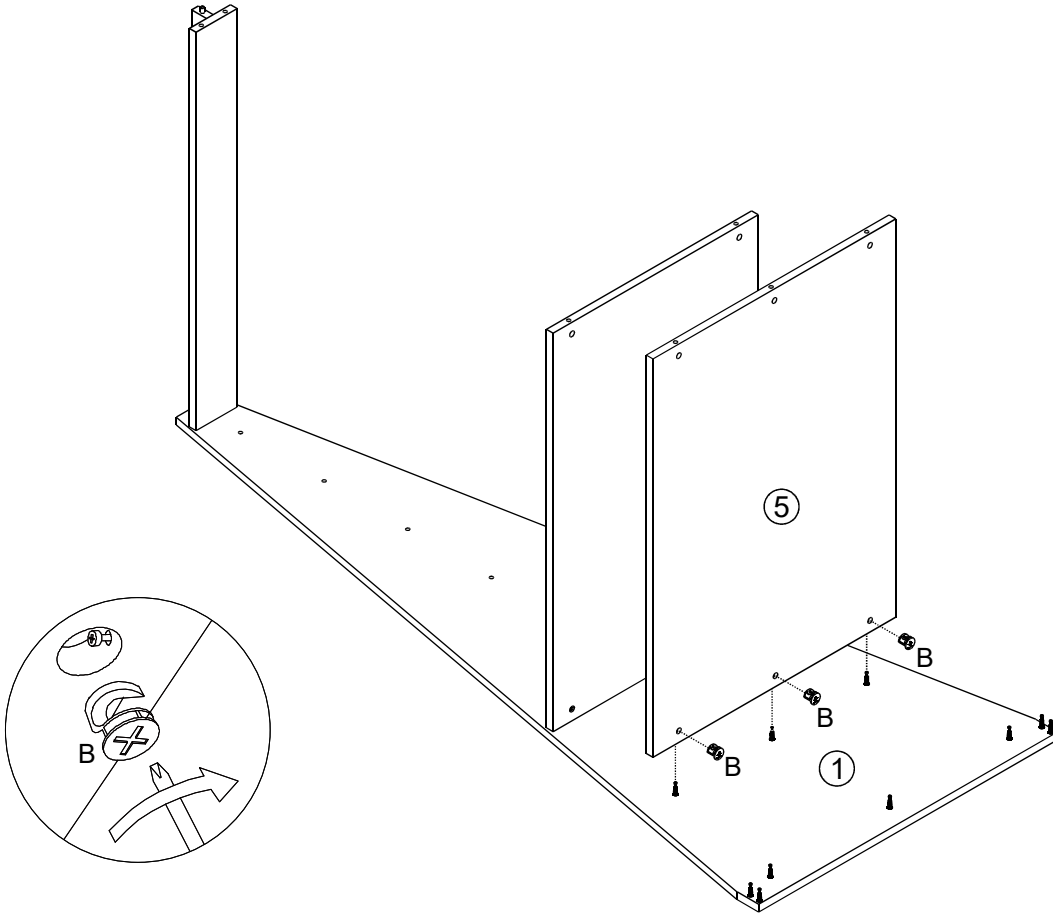
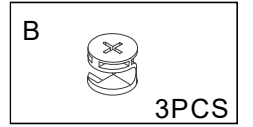
B
2PCS

5

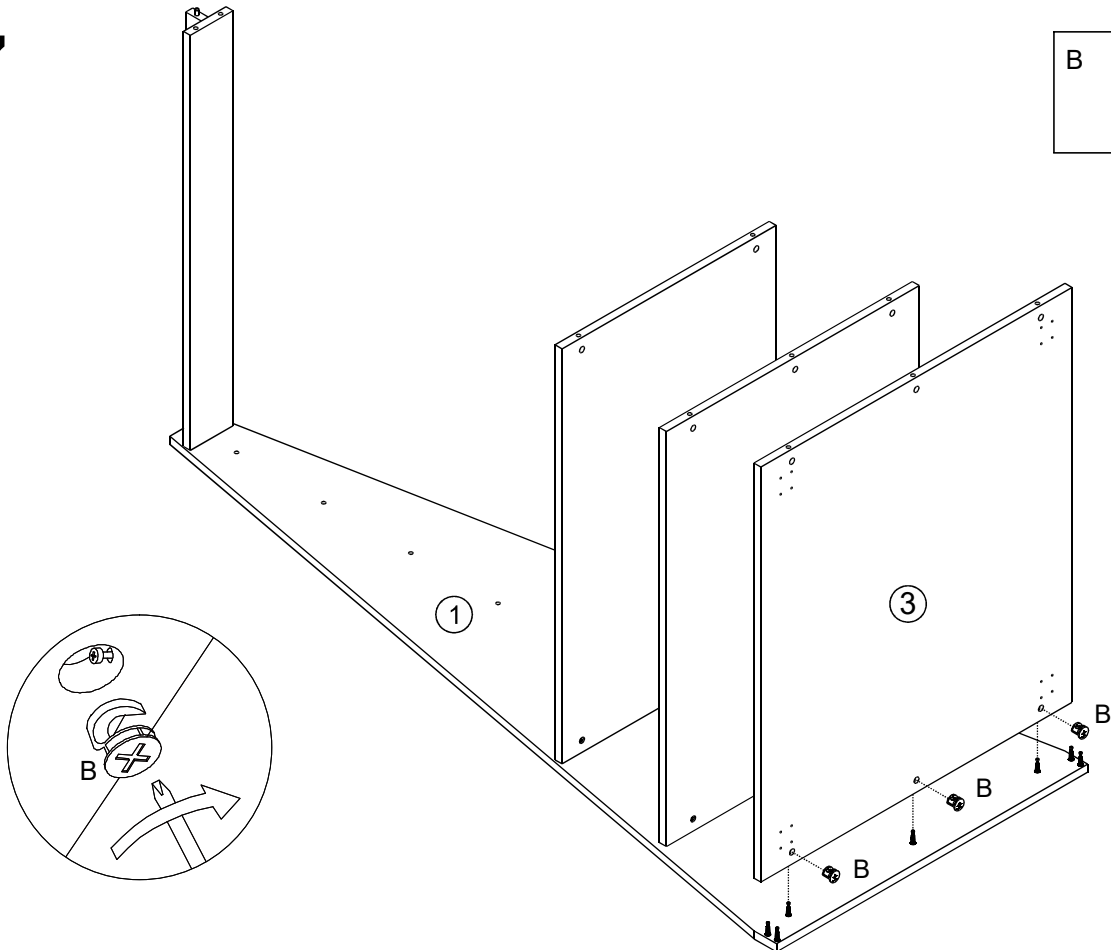
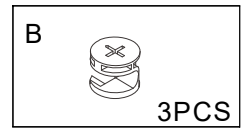


B
2PCS

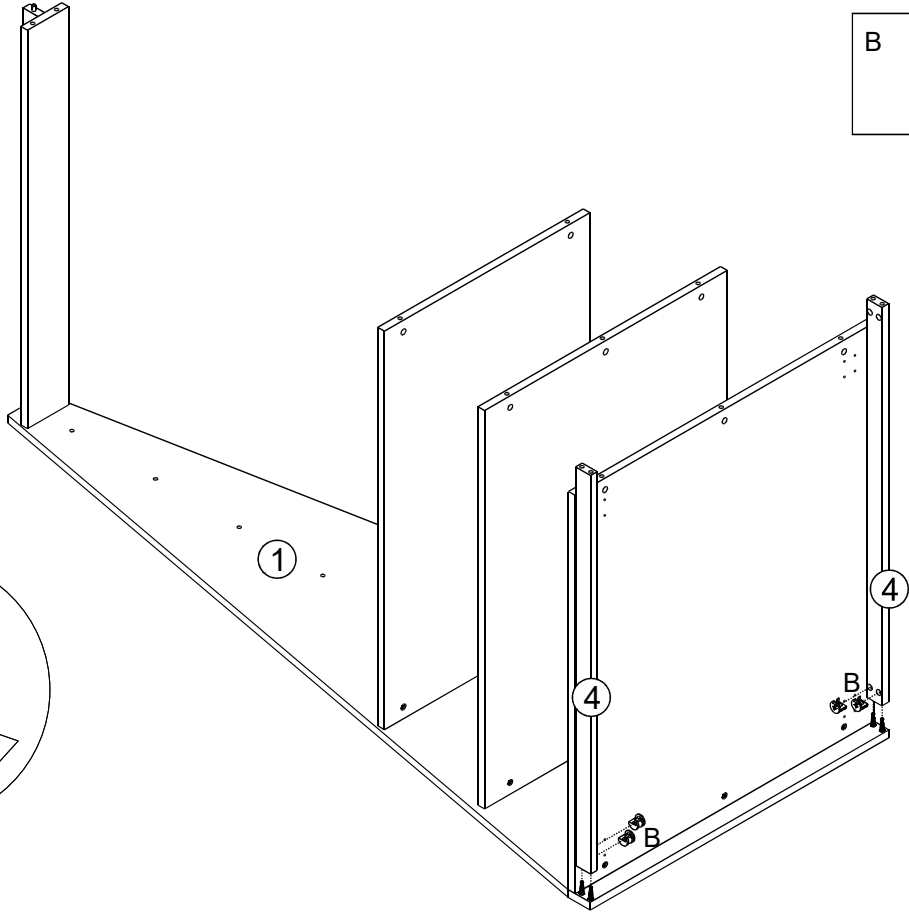
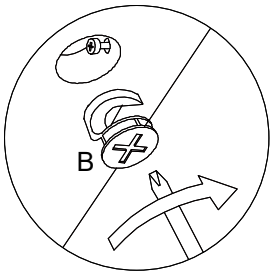
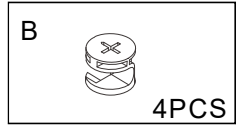
6



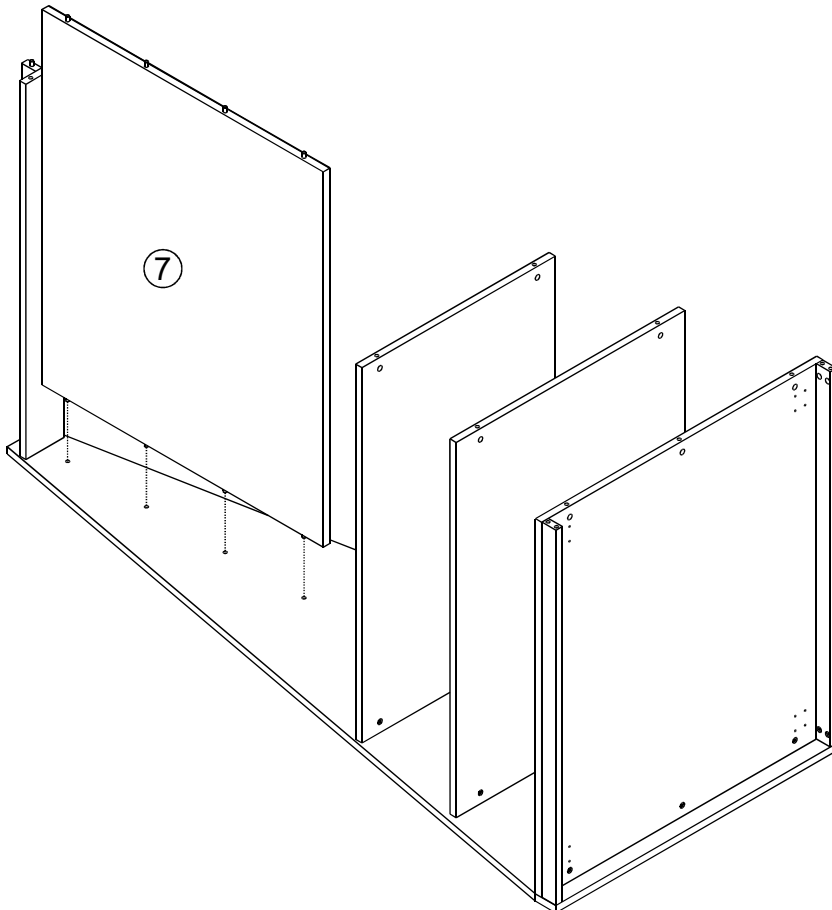
7



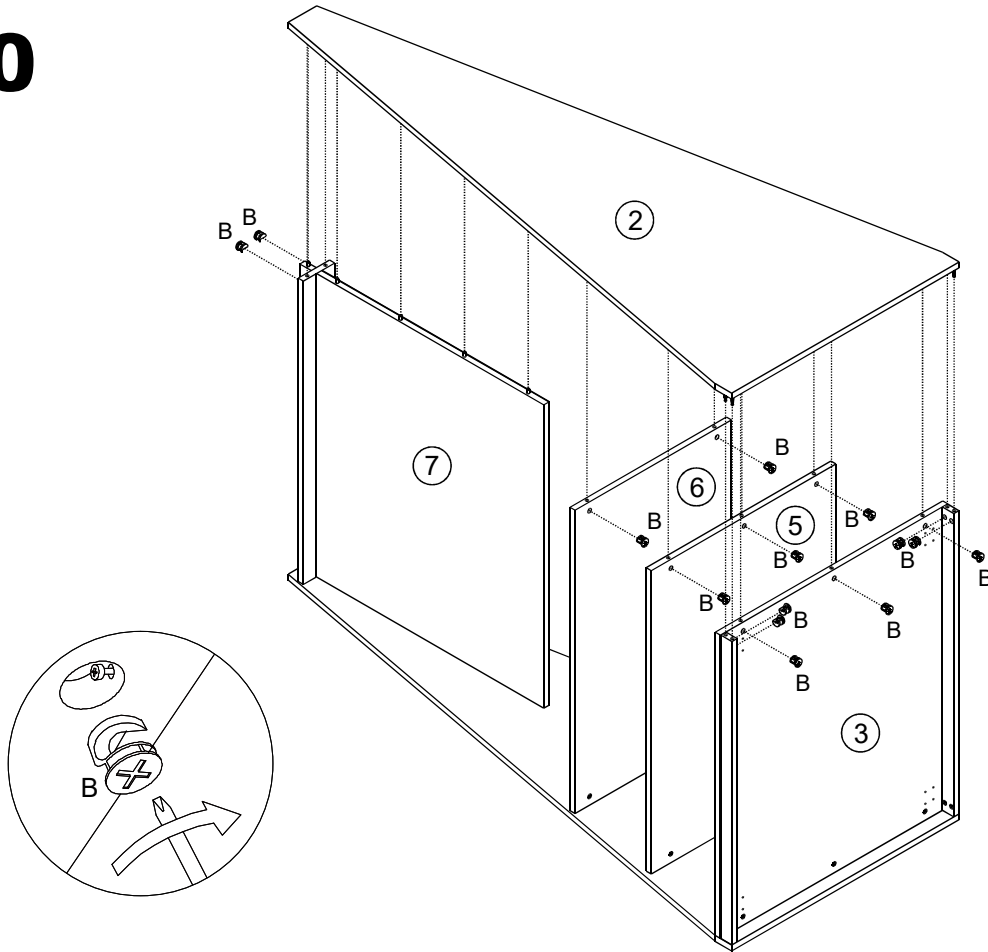
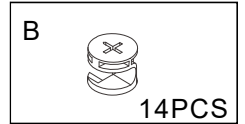
8



9



10



11

