


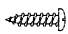
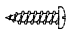
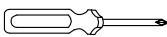

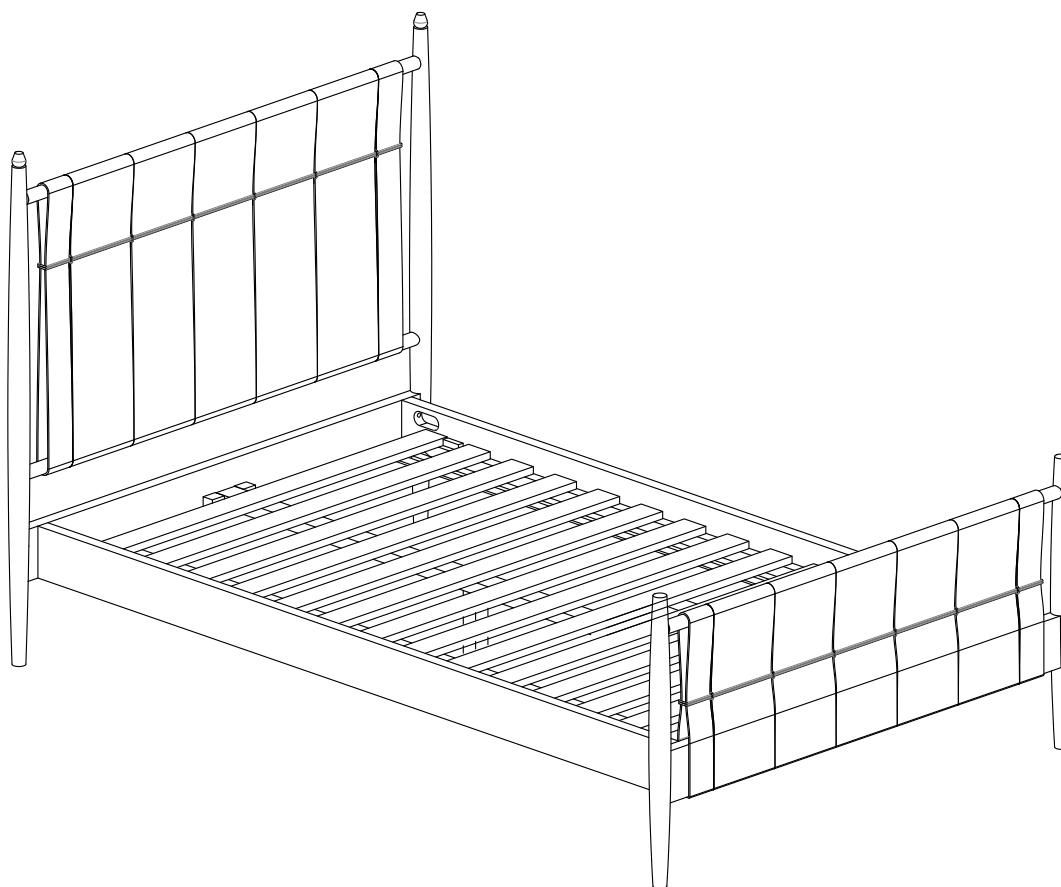


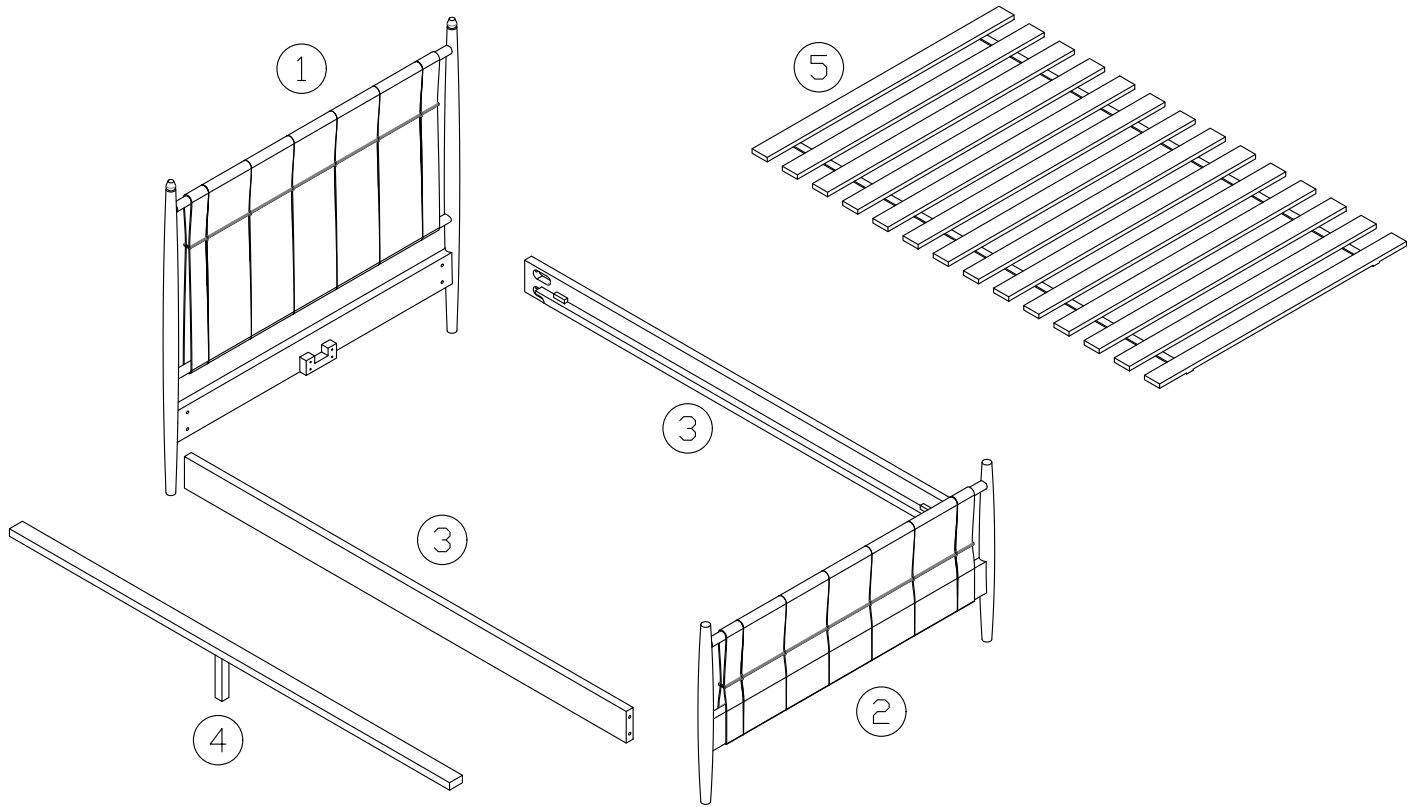
ASSEMBLY INSTRUCTION FOR RICHARD TWIN BED

HARDWARE LIST

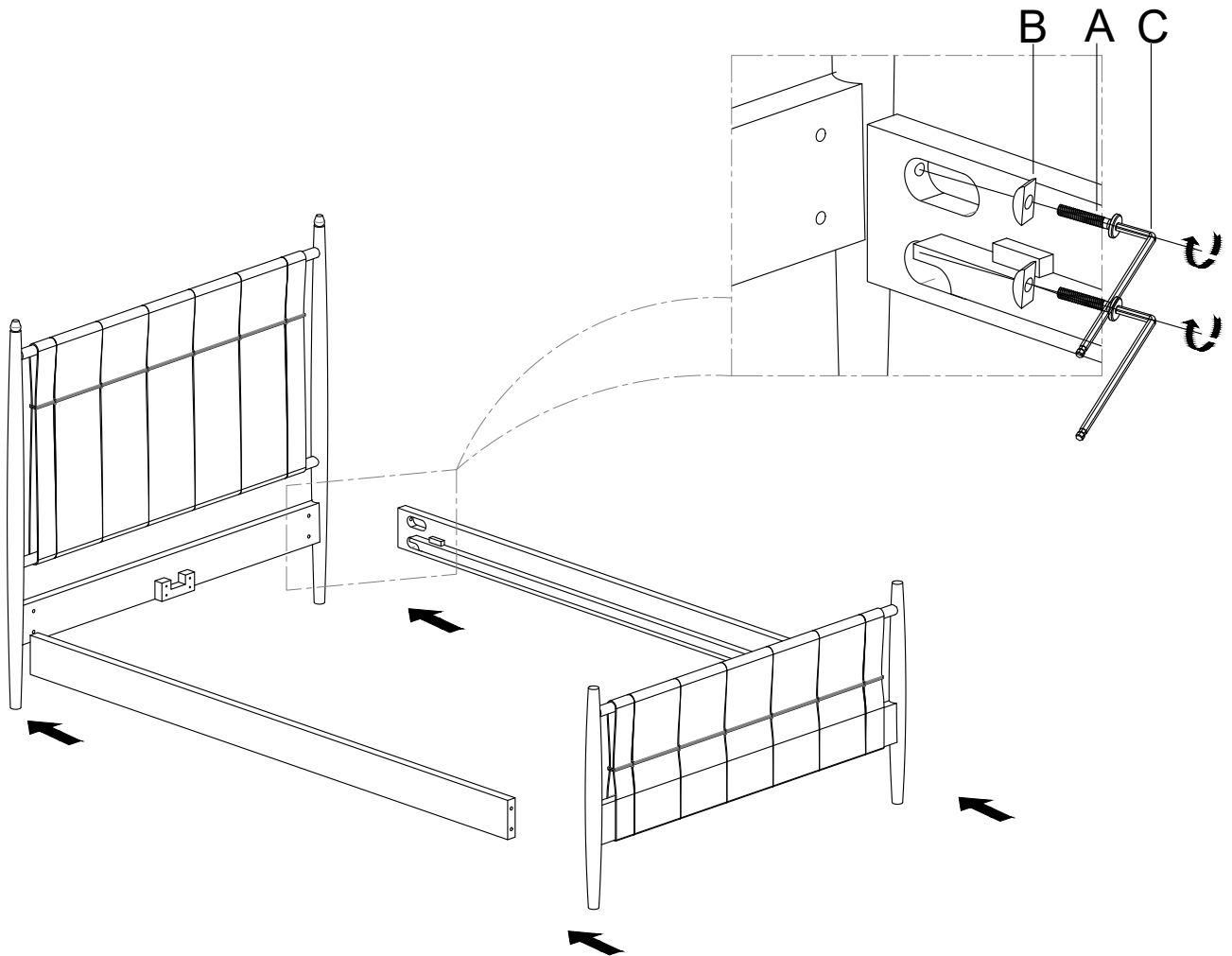
A		Bolt	8mm x 70mm	8
B		Halfmoon washer	8 x 15 x 30mm	8
C		Allen Wrench	4mm	1
D		Screw	4mm x 40mm	2
E		Screw	4mm x 25mm	6
F		Screwdrivers (Not included)		1
G		Leg Support		1



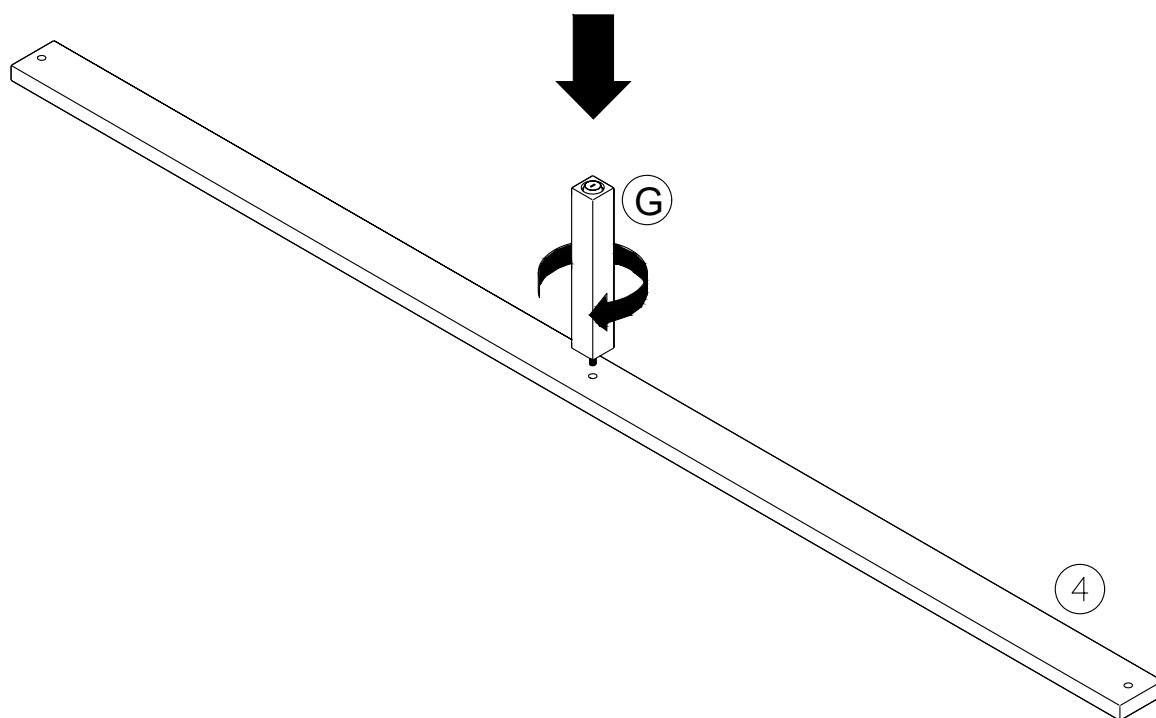
COMPONENTS



1



2



3

