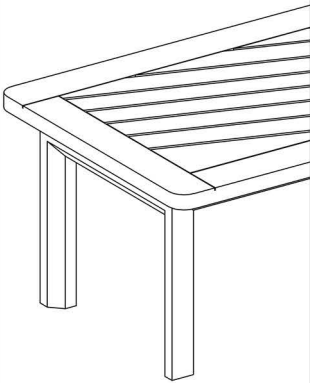


Owner Manual



WARRANTY

We strive to offer high quality product and we also try our best to satisfy each customer that order from us, no matter on products or services as needed. Each customer receives a record of their order, such as the order number or item receipt. For any items that are out of warranty period, you may still be able to purchase the replacement parts from our company if they are available.



MAINTENANCE AND WARNING

Please read the manual thoroughly
before you start installing.

Please keep the product away from
sharp object.

Packaging and small parts may have
chocking hazard, please keep them away
from children and pets.

Please clean the product according to each
clean code, check the product description
for more information.

Please keep the product away from
fire.

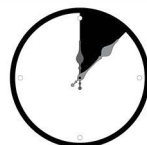
If you have any other questions, please
contact us, we will be glad to help you out.

If the product is placed under direct
sunlight, the pattern or color might fade
away overtime.

Check the product periodically to make
sure everything is secured and tightened.

Always use proper tools for installation.

Do not jump on the product.



Around 15 min

PRODUCT DESCRIPTION

Outdoor solid wood patio set, includes various seating, side table and coffee table. Features a square geometric cut design with clean, sharp lines. The overall look is simple, offering a modern architectural feel that elevates the style of patios and decks.

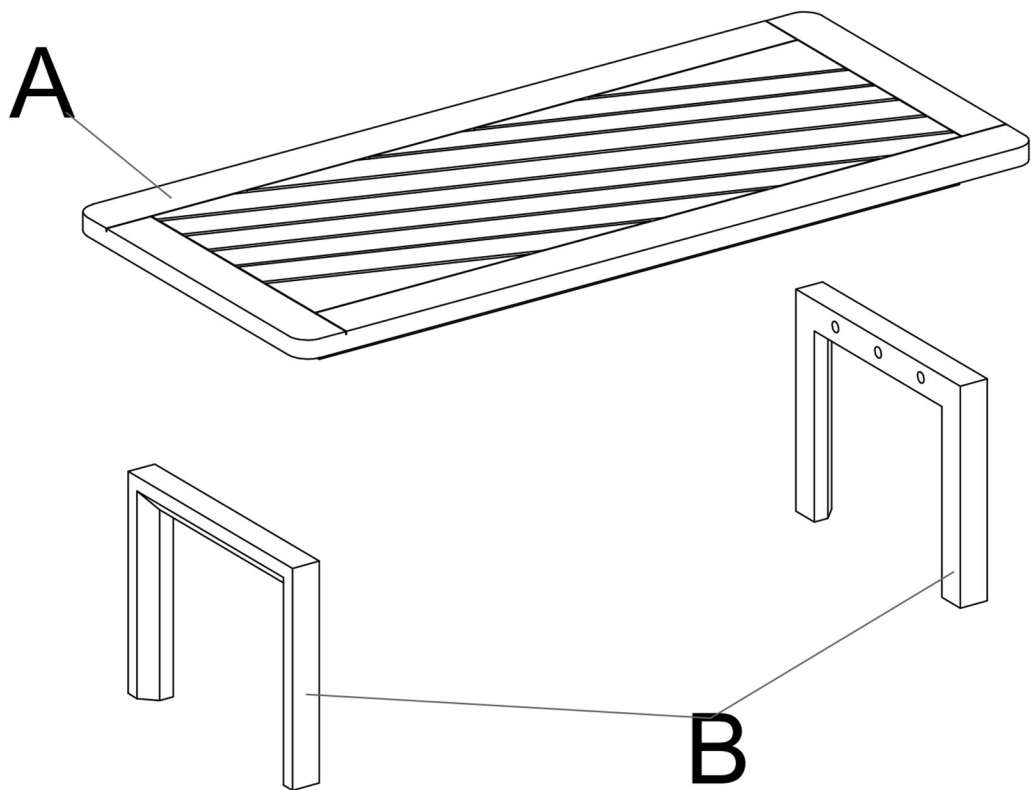
Thickened high-density foam filling. The seat and back cushions are plump and substantial, offering excellent resilience and sinking comfort for prolonged, relaxed seating.

Modular design: single chair/loveseat + coffee table/side table, four modules are able to arrange by your needs or like.

Water-resistance cotton-blend fabric. Offers good water and stain resistance, protecting against common outdoor splashes and dampness. Easy to maintain with a simple wipe.

Heavy frame made of natural solid teak wood. High density and natural oils provide inherent rot resistance, insect resistance, and exceptional stability. The robust frame and joinery ensure superior load-bearing capacity and long-term durability.

EXPLODED VIEW



PARTS

A*1

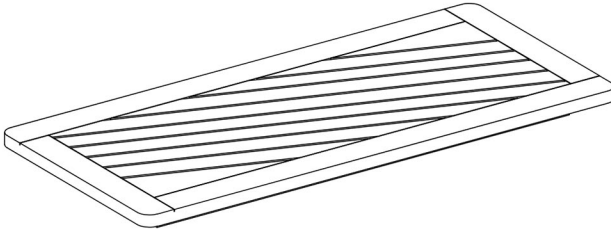
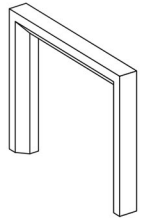


Table top

B*2



Legs

HARDWARE

TOOL LIST

NOTE: Designated with (★) We provide additional spare parts in the hardware package

①x8



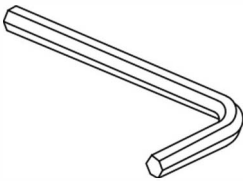
★ Bolt
M6*35mm

②x8



★ Flat wahser
Ø6*14mm

③x1



Allen key

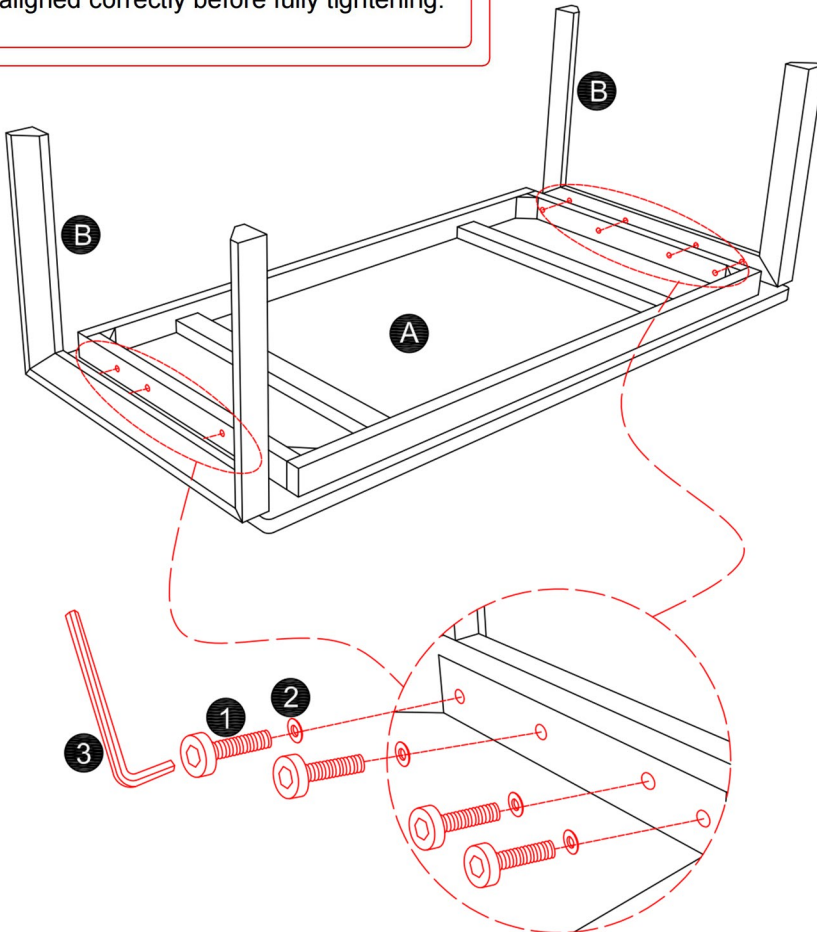
Please make sure all hardware & packing material fitting the list. Especially some small accessories may be missing during transportation. Please contact us if you have any question.

step 1 ---Install the Legs(B)

Use screws (1) & Flat washer (2) and an Allen wrench(3) to assemble the Legs (B) with the tabletop(A).



First add one flat washer on each bolt as shown, use the allen wrench provided to tighten all the bolts by 30-50% first, make sure that all bolts are aligned correctly before fully tightening.



step 2 ---Assemble complete

Congratulations! The assembly has complete! Thank you again for choosing our product, please enjoy!

