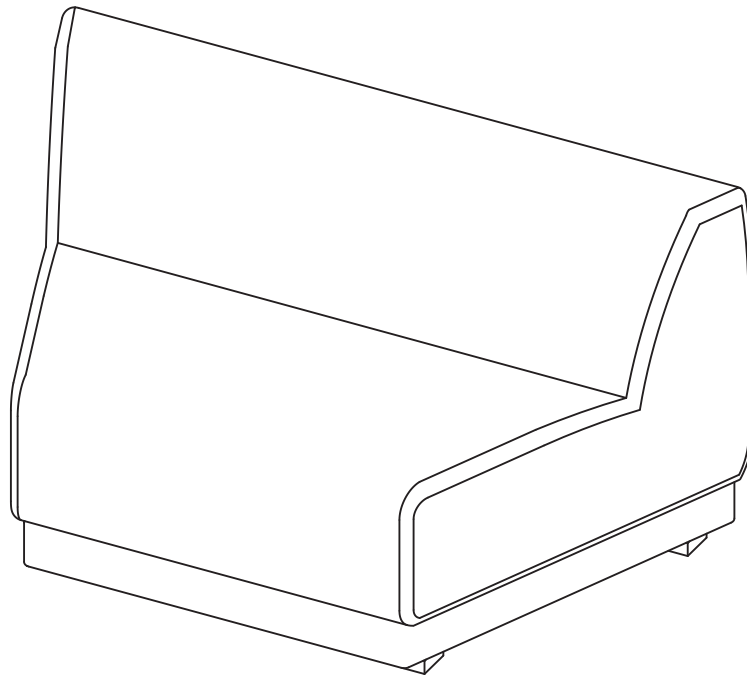


ASSEMBLY INSTRUCTIONS.

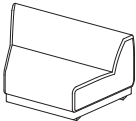
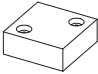
FRASER WEDGE SLIPPER CHAIR OFF WHITE



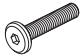

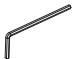




THANK YOU FOR YOUR PURCHASE!

PARTS AND HARDWARE.

PARTS LIST

No.	DESCRIPTION	IMAGE	Q'TY
P1	SEAT		1
P2	LEGS		4

HARDWARE LIST

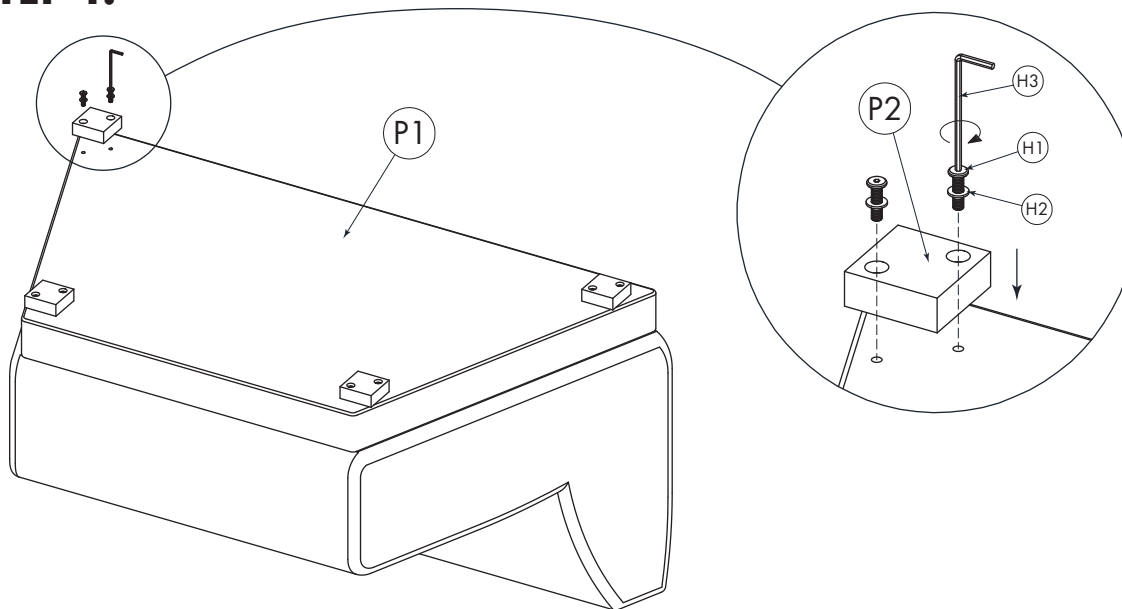
No.	DESCRIPTION	IMAGE	Q'TY
H1	BOLTS (M6-25MM)		8
H2	FLAT WASHERS (Ø11-Ø6.5-1.5MM)		8
H3	ALLEN WRENCH (K4)		1
H4	FELT PAD (70-70MM)		4
H5	MALE BRACKETS (55-43-18MM)		2
H6	FEMALE BRACKETS (140-54-13MM)		2
H7	SCREWS (M3-25MM)		18

NOTES.

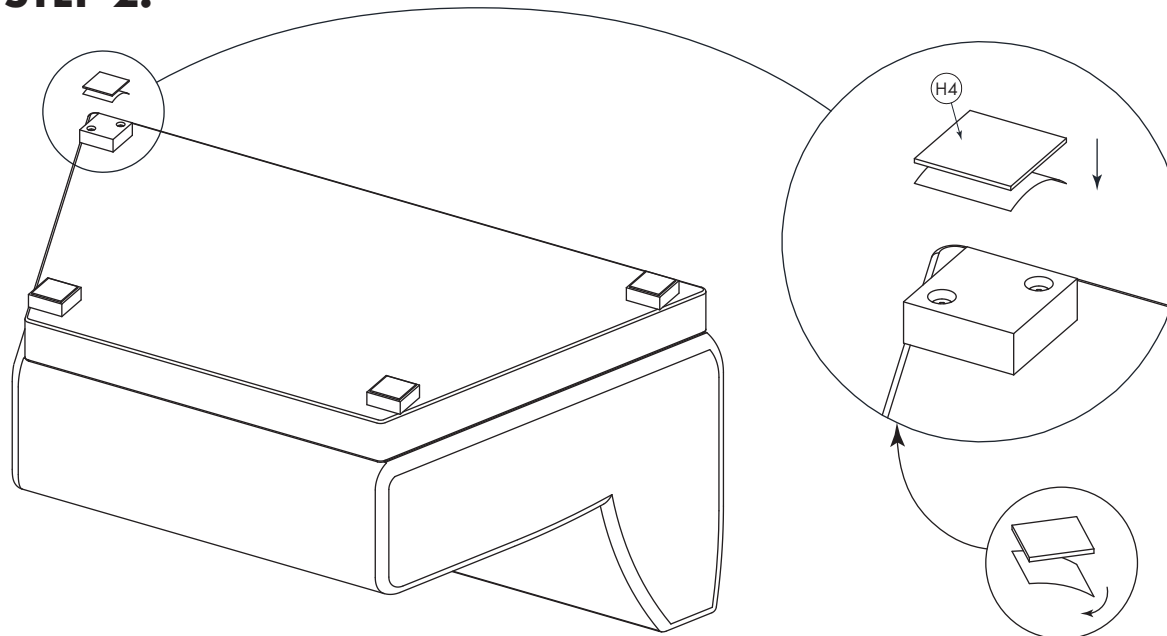
Thank you for purchasing this quality product! Be sure to check all packing material carefully for small part that may have come loose inside the carton during shipping.

CAUTION: The item is heavy, assembly should be performed by two people.

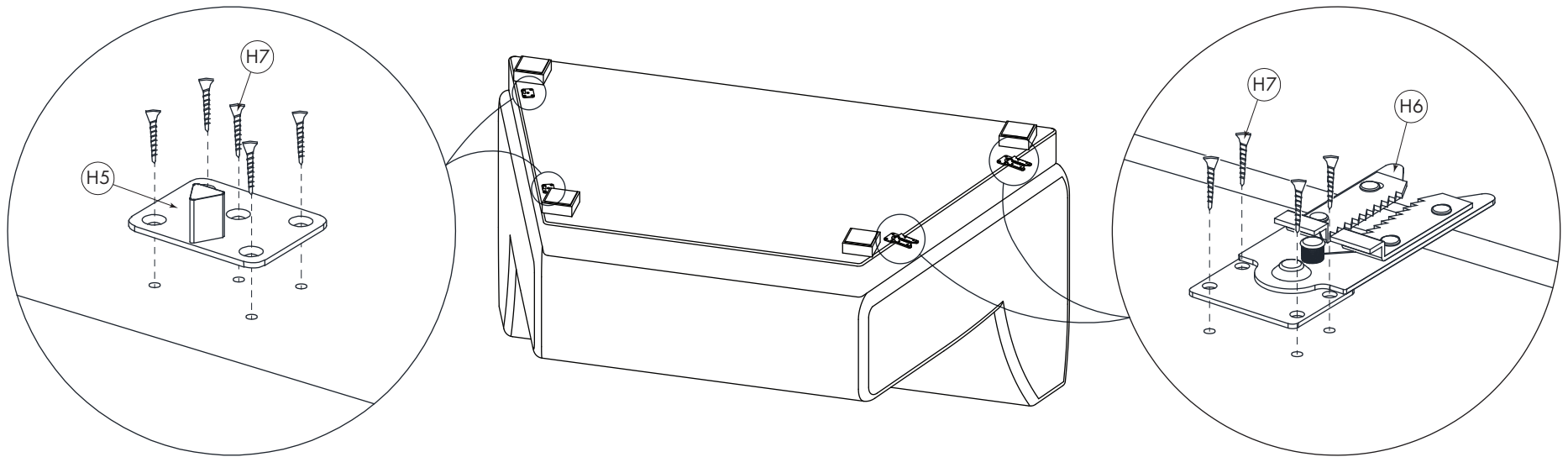
STEP 1.

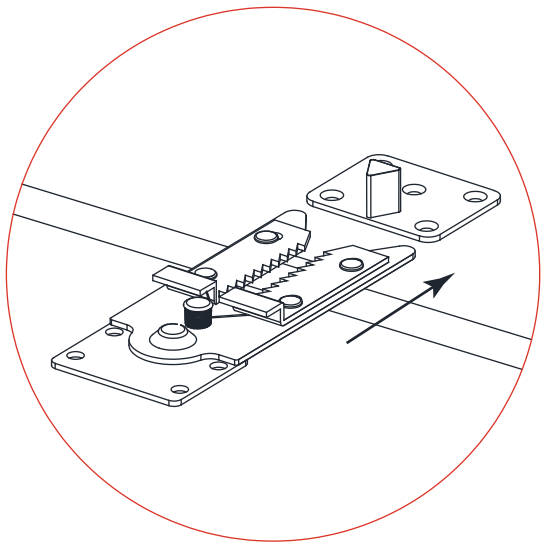


STEP 2.

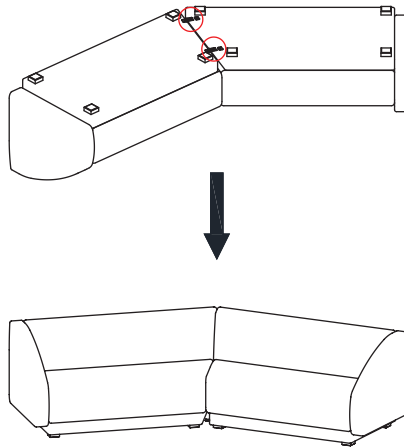


STEP 3.

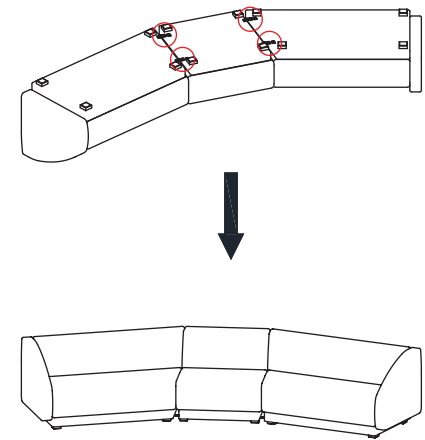




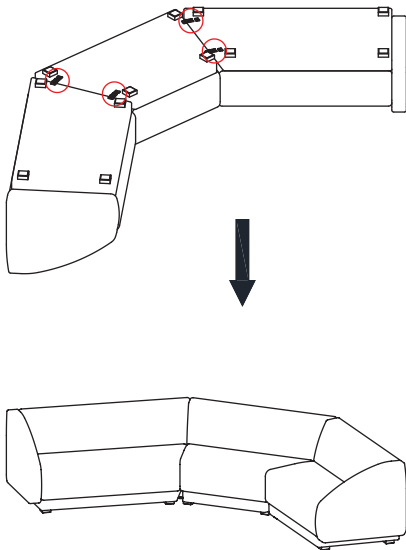
OPTION 1



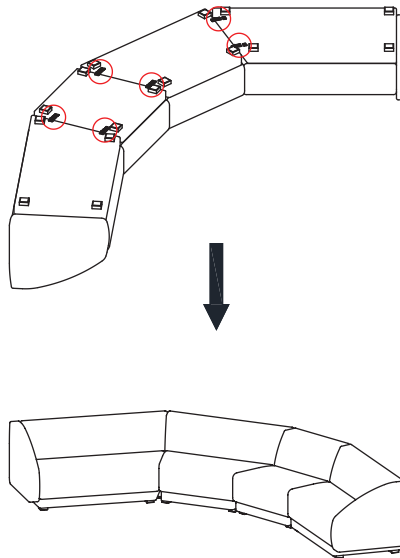
OPTION 2



OPTION 3



OPTION 4



OPTION 5

