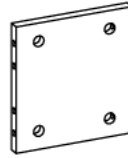




Ax2



Bx3



Cx12



Dx12



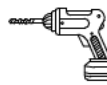
Ex12



Fx4



Gx8



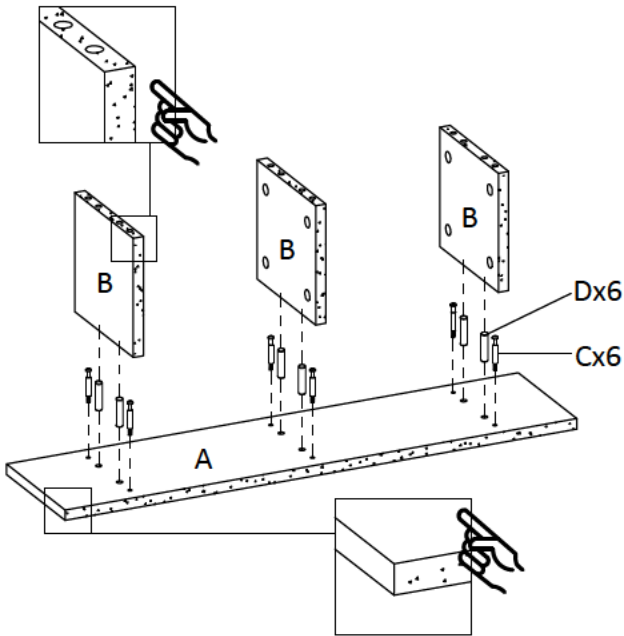
ESE



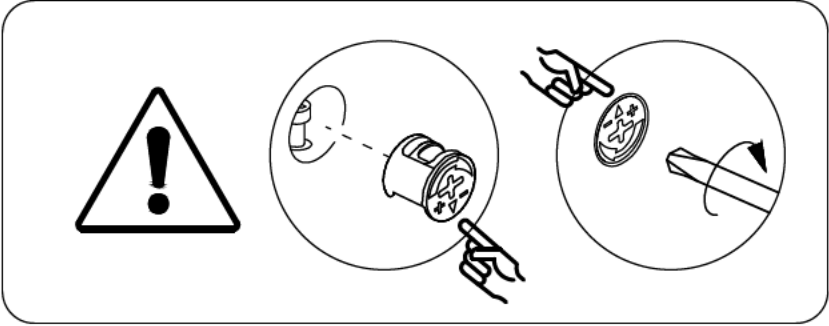
mm  
inch

x2

①

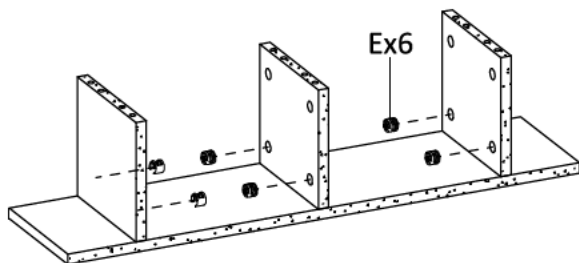


- Cx6
- Dux6



②

Ex6

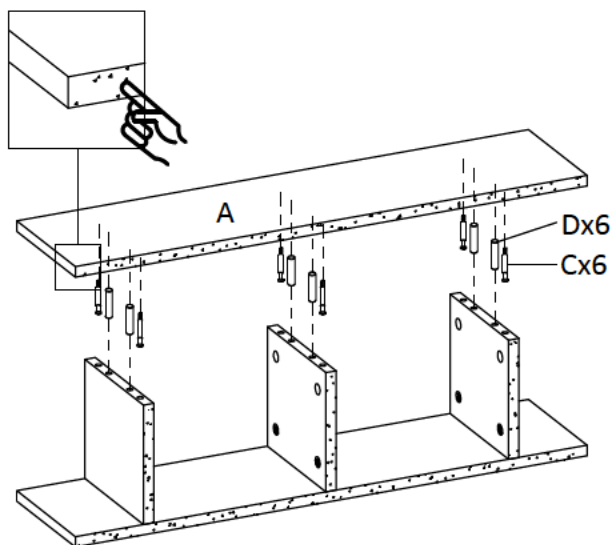


③

Cx6

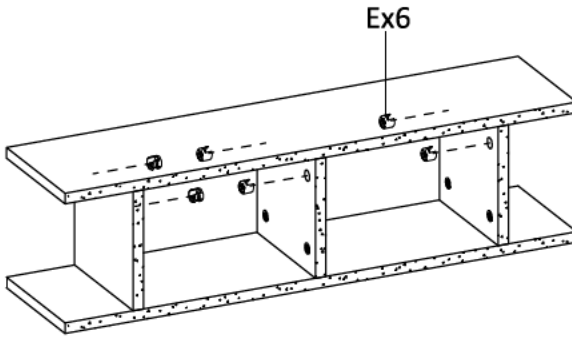


Dx6

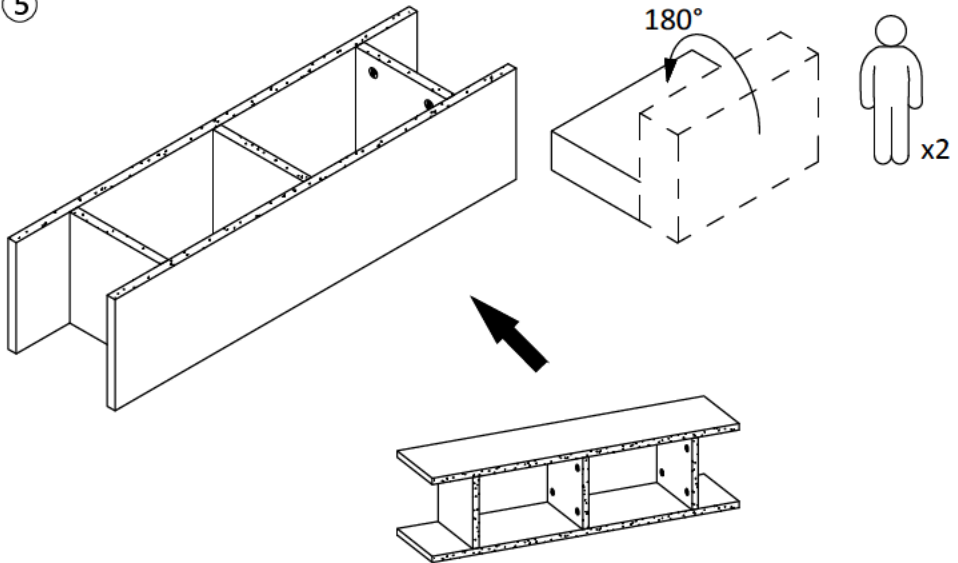


④

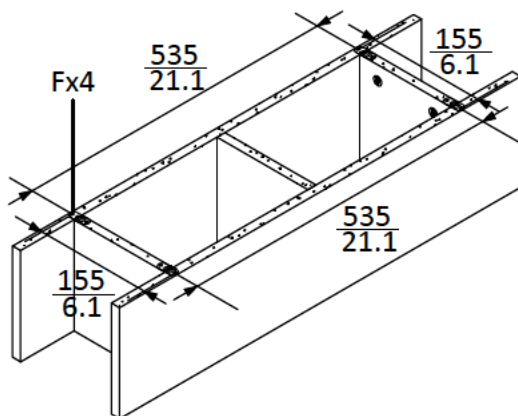
Ex6



⑤



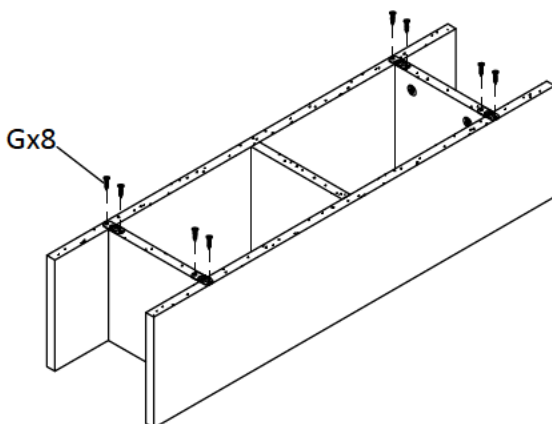
⑥



Fx4



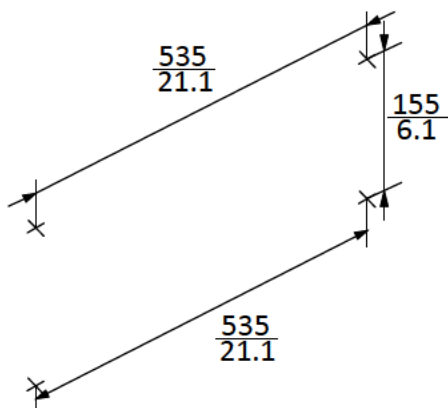
⑦



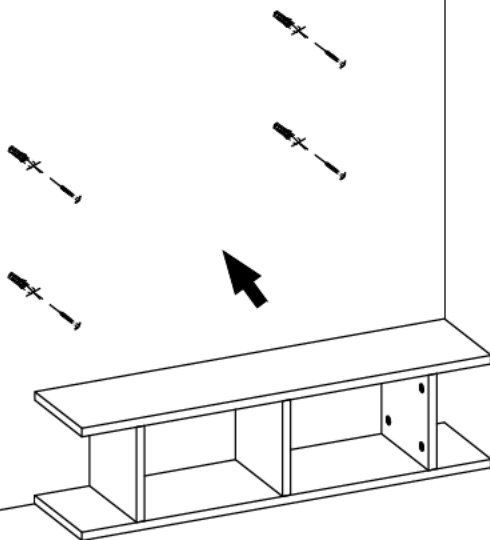
Gx8



8



9



10

