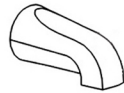
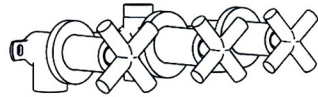


INSTALLATION INSTRUCTIONS



3 Handles Shower Faucet Set

Style may vary by model, but the installation ways are the same

1、 New installations

NOTE!!

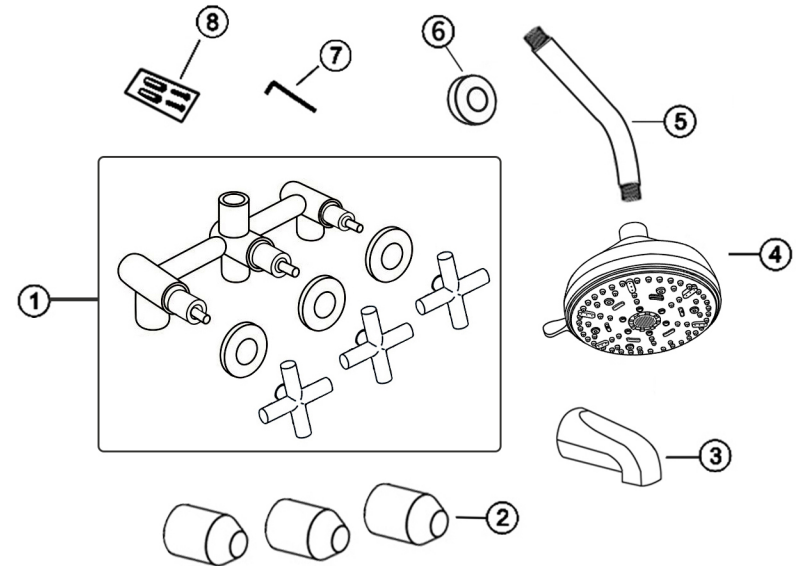
1. Supply lines should be purged to clean impurities before connecting the unit.
2. The hot water supply should be connected to the left and the cold water supply to the right, when viewed from the operating position. If this is not taken into account can cause permanent damage to the cartridge.
3. Screw connections and test for leaks.
4. Using a spirit level on the cams, the mixer align horizontally, vertically and parallel to the wall.
5. Warm reminder:
In the cold areas or the indoor temperature is less than 39°F in Winter, if no using the faucets for a long time, please turn off the inlet water valve and drain the remaining water inside the supply pipe, which can avoid the faucet damage caused by the expansion of the frozen water.

2、 Installation Preparation

1. Read the instructions carefully before installing.
2. The installation must be performed by a qualified person.
3. Installation tools:

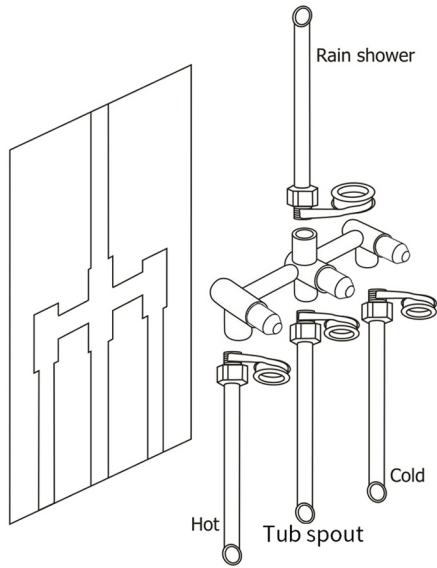


3、 Accessory list



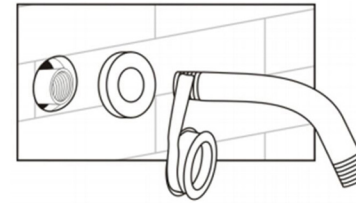
No	Description	Qty
1	Shower valve and handles	1
2	Protective Cover	3
3	Tub spout	1
4	Shower head	1
5	Shower arm	1
6	Decorative cover	1
7	Allen-Key	1
8	Screws bag	1

Installation Steps

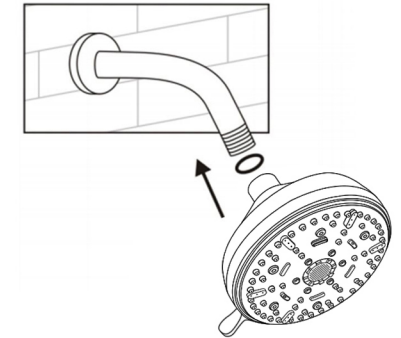


① A. Wrap the pipe tape to the prepared male water pipe and then connecting to the embedded shower valve. Pay attention to the connection of the water inlet and outlet signs.

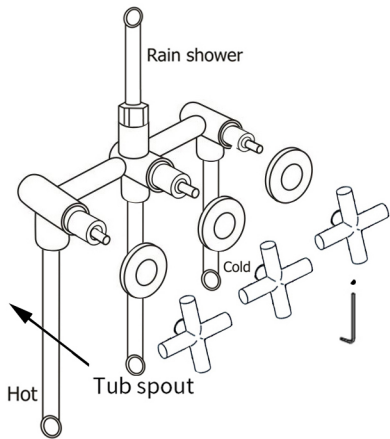
B. Measure the installation position of the shower system on the wall according to the needs of the parts and the size of the embedded valve body. Confirming it and mark it with a pen.



④ Wrap the shower arm thread with pipe tape before connect to the water pipe.

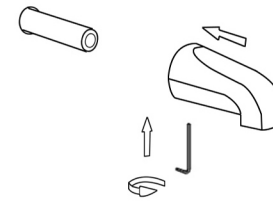
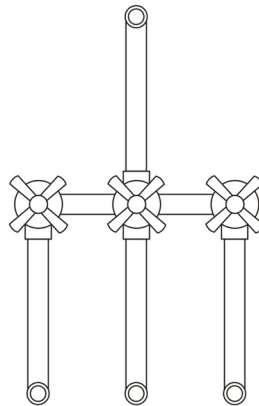


⑤ Check if the gasket is placed properly and install the shower head.



② Take off the plastic protective cover and install the round decorative cover and handles.

③ Use rubber plug to block the top shower spout, Tub spout connector. Open the water source, check the connection of the upper and lower water pipes, and the pressure of the pipe to ensure no leakage. Make sure there are no water leaks then tilling the wall and install the round decorative cover and the cross handles.



⑥ Wrap some plumber's tape on the internal gut, and screw the bathtub spout.

Note: The internal gut of the tub spout is NPT 1/2 size copper pipe. And it is NOT INCLUDED IN THE BOX, because everyone may has any different internal plumbing connections in their house.

