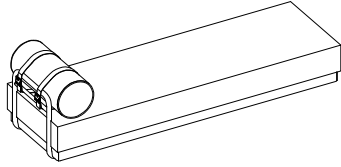


ASSEMBLY INSTRUCTIONS

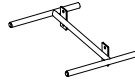
ACCENT BENCH

PARTS INCLUDED

(A) BENCH TOP (×1 piece)



(B) LEG (×2 pieces)



HARDWARE INCLUDED

1- Allen Bolt M8*35mm (×8 pieces)



2- Lock Washer (×8 pieces)



3- Flat Washer (×8 pieces)



4- Allen Key (×1 piece)



ASSEMBLY INSTRUCTIONS

1. Carefully unpack the parts from the carton.
2. Gently Place the Bench Top (A) top down on a flat protected surface (shown in Figure 1).

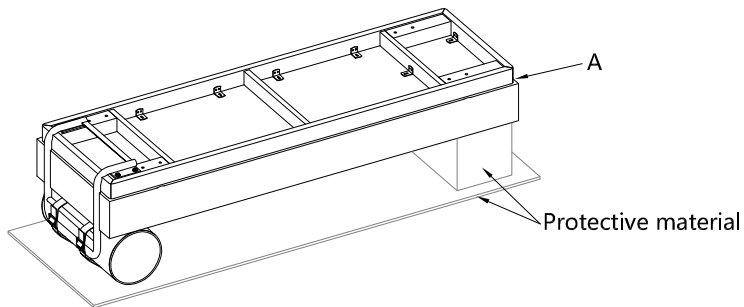


Figure 1

ASSEMBLY INSTRUCTIONS

ACCENT BENCH

3. Position the Legs (B) onto the bench top, and Insert the Allen Bolts (1), Lock Washers (2) and Flat Washers (3) to the holes. Tighten with the Allen Key (4) (shown in Figure 2).

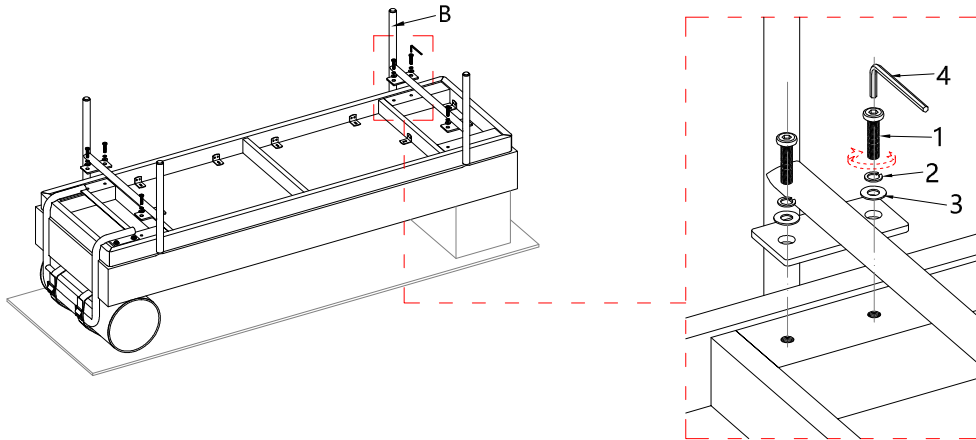


Figure 2

4. Turn over the assembled bench. Then adjust the levelers to level the bench (shown in Figure 3).

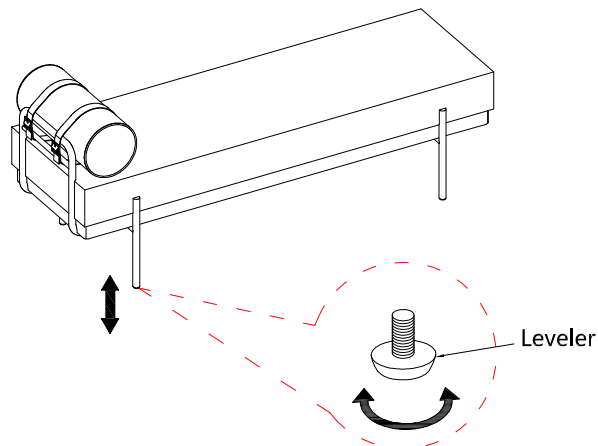


Figure 3

CARE INSTRUCTIONS

1. Clean periodically by wiping the furniture lightly with a soft, dry cloth.
2. Do not use abrasive or chemical cleaners, as they may damage the finish.

IMPORTANT SAFETY INSTRUCTIONS

This furniture must be assembled by at least two people.